

(19) World Intellectual Property Organization
International Bureau



(43) International Publication Date
10 November 2005 (10.11.2005)

PCT

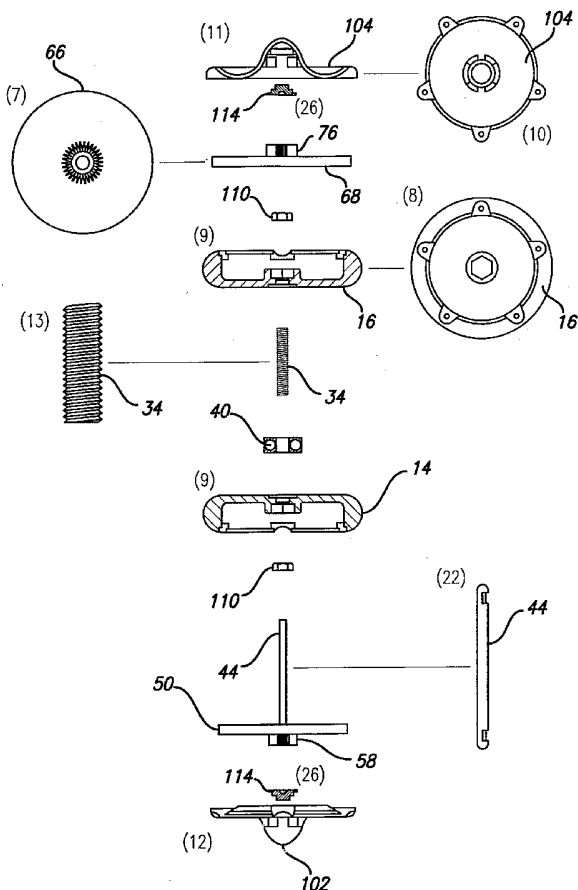
(10) International Publication Number
WO 2005/105247 A3

- (51) International Patent Classification:
A63H 1/00 (2006.01)
- (21) International Application Number:
PCT/US2005/012581
- (22) International Filing Date: 14 April 2005 (14.04.2005)
- (25) Filing Language: English
- (26) Publication Language: English
- (30) Priority Data:
60/562,016 14 April 2004 (14.04.2004) US
- (63) Related by continuation (CON) or continuation-in-part (CIP) to earlier application:
US 60/562,016 (CON)
Filed on 14 April 2004 (14.04.2004)
- (71) Applicant: UTW ENTERPRISES, LLC [US/US];
15649 Woodfield Place, Sherman Oaks, CA 91403 (US).
- (71) Applicant and
- (72) Inventor: TORRES, Ulises [US/US]; 681 East Elizabeth Street, Pasadena, CA 91104 (US).

- (74) Agent: PETERKA, Karin, E.; BUCHALTER, NEMER, FIELDS & YOUNGER, 601 South Figueroa Street, Suite 2400, Los Angeles, CA 90017 (US).
- (81) Designated States (unless otherwise indicated, for every kind of national protection available): AE, AG, AL, AM, AT, AU, AZ, BA, BB, BG, BR, BW, BY, BZ, CA, CH, CN, CO, CR, CU, CZ, DE, DK, DM, DZ, EC, EE, EG, ES, FI, GB, GD, GE, GH, GM, HR, HU, ID, IL, IN, IS, JP, KE, KG, KM, KP, KR, KZ, LC, LK, LR, LS, LT, LU, LV, MA, MD, MG, MK, MN, MW, MX, MZ, NA, NI, NO, NZ, OM, PG, PH, PL, PT, RO, RU, SC, SD, SE, SG, SK, SL, SM, SY, TJ, TM, TN, TR, TT, TZ, UA, UG, US (patent), UZ, VC, VN, YU, ZA, ZM, ZW.
- (84) Designated States (unless otherwise indicated, for every kind of regional protection available): ARIPO (BW, GH, GM, KE, LS, MW, MZ, NA, SD, SL, SZ, TZ, UG, ZM, ZW), Eurasian (AM, AZ, BY, KG, KZ, MD, RU, TJ, TM), European (AT, BE, BG, CH, CY, CZ, DE, DK, EE, ES, FI, FR, GB, GR, HU, IE, IS, IT, LT, LU, MC, NL, PL, PT, RO, SE, SI, SK, TR), OAPI (BF, BJ, CF, CG, CI, CM, GA, GN, GQ, GW, ML, MR, NE, SN, TD, TG).

[Continued on next page]

(54) Title: COMBINATION YO-YO AND TOP



(57) Abstract: The present invention is directed to a combination yo-yo and top device comprising first and second yo-yo body halves, a hollow dowel element detachably connecting one of the yo-yo body halves to the other, a ball bearing element mounted on the hollow dowel element between the yo-yo body halves, a first flywheel assembly having an elongated flywheel axle, wherein the first flywheel assembly is adapted for attachment to the yo-yo body, a second flywheel assembly adapted for attachment to the yo-yo body, a string element having a first end coupled to the hollow dowel element, a power element adapted for attachment to either the first flywheel assembly or the second flywheel assembly to activate both flywheel assemblies, and, at least one removable top component adapted to be secured to the yo-yo body to convert the device from a yo-yo to a top.

WO 2005/105247 A3



Declaration under Rule 4.17:

— *of inventorship (Rule 4.17(iv))*

Published:

— *with international search report*

(88) Date of publication of the international search report:

14 December 2006

For two-letter codes and other abbreviations, refer to the "Guidance Notes on Codes and Abbreviations" appearing at the beginning of each regular issue of the PCT Gazette.

INTERNATIONAL SEARCH REPORT

International application No.

PCT/US05/12581

A. CLASSIFICATION OF SUBJECT MATTER

IPC: A63H 1/00(2006.01)

USPC: 446/236,250,247,248,266,256,259,263

According to International Patent Classification (IPC) or to both national classification and IPC

B. FIELDS SEARCHED

Minimum documentation searched (classification system followed by classification symbols)

U.S. : 446/236,250,247,248,266,256,259,263

Documentation searched other than minimum documentation to the extent that such documents are included in the fields searched

Electronic data base consulted during the international search (name of data base and, where practicable, search terms used)

C. DOCUMENTS CONSIDERED TO BE RELEVANT

Category *	Citation of document, with indication, where appropriate, of the relevant passages	Relevant to claim No.
Y	US 5,017,172 A (Seifert) 21 May 1991 (21.05.1991), Full text and drawings.	1-20
Y	JP 2003-135859 A (Nikaido Teruo) 13 May 2003 (13.05.2003), Full text and drawings, with English translation.	1-20
Y	US 6,695,670 B1 (Driscoll et al.) 24 February 2004 (24.02.2004), Full text and drawings.	2, 12, and 17

Further documents are listed in the continuation of Box C.

See patent family annex.

* Special categories of cited documents:	"T"	later document published after the international filing date or priority date and not in conflict with the application but cited to understand the principle or theory underlying the invention
"A" document defining the general state of the art which is not considered to be of particular relevance	"X"	document of particular relevance; the claimed invention cannot be considered novel or cannot be considered to involve an inventive step when the document is taken alone
"E" earlier application or patent published on or after the international filing date	"Y"	document of particular relevance; the claimed invention cannot be considered to involve an inventive step when the document is combined with one or more other such documents, such combination being obvious to a person skilled in the art
"L" document which may throw doubts on priority claim(s) or which is cited to establish the publication date of another citation or other special reason (as specified)	"&"	document member of the same patent family
"O" document referring to an oral disclosure, use, exhibition or other means		
"P" document published prior to the international filing date but later than the priority date claimed		

Date of the actual completion of the international search

29 August 2006 (29.08.2006)

Date of mailing of the international search report

29 SEP 2006

Name and mailing address of the ISA/US

Mail Stop PCT, Attn: ISA/US
Commissioner for Patents
P.O. Box 1450
Alexandria, Virginia 22313-1450

Facsimile No. (571) 273-3201

Authorized officer

John Hotaling

Telephone No. 571-272-3700