



US0D1011069S

(12) **United States Design Patent** (10) **Patent No.:** **US D1,011,069 S**
Ou (45) **Date of Patent:** **** Jan. 16, 2024**

(54) **BABY BED**

FOREIGN PATENT DOCUMENTS

(71) Applicant: **Dezhu Ou**, Guangdong Province (CN)
(72) Inventor: **Dezhu Ou**, Guangdong Province (CN)
(**) Term: **15 Years**
(21) Appl. No.: **29/833,640**

CN 113142899 A * 7/2021
CN 213993064 U * 8/2021
CN 215015559 U * 12/2021 A47D 9/00
CN 114129010 A * 3/2022
CN 216822522 U * 6/2022
CN 115067713 A * 9/2022
CN 217547650 U * 10/2022
CN 115399600 A * 11/2022

(Continued)

(22) Filed: **Apr. 6, 2022**
(51) **LOC (14) Cl.** **06-02**
(52) **U.S. Cl.**
USPC **D6/390**
(58) **Field of Classification Search**
USPC D6/390, 391, 718.26
CPC A47D 9/012; A47D 15/008; A47D 9/00
See application file for complete search history.

OTHER PUBLICATIONS

“Nordmiex Baby Crib.” Found online Sep. 9, 2023 at www.amazon.com. Product first available Feb. 22, 2021. Retrieved from URL: https://www.amazon.com/Bassinet-Bedside-Sleeper-Portable-Converts/dp/B08X4C4RRL (Year: 2021).*

(Continued)

(56) **References Cited**

U.S. PATENT DOCUMENTS

1,897,258 A * 2/1933 Jenne A47D 9/00
5/93.1
D826,593 S * 8/2018 Kuo D6/718.26
10,039,389 B2 * 8/2018 Yang A47D 9/02
10,219,634 B2 * 3/2019 Yang A47D 9/012
10,477,982 B2 * 11/2019 Damiani A47D 15/001
10,694,866 B2 * 6/2020 Gallina A47D 9/02
D905,462 S * 12/2020 Jeidel D6/391
10,952,543 B2 * 3/2021 Mu A47D 9/008
D979,276 S * 2/2023 Mu A47D 9/005
D6/391
11,700,953 B2 * 7/2023 Hu A47D 9/02
5/108
11,730,284 B2 * 8/2023 Yang A47D 9/012
5/98.1
2018/0192784 A1 * 7/2018 Yang A47D 9/012
2022/0330713 A1 * 10/2022 Yang A47D 9/00
2022/0330714 A1 * 10/2022 Yang A47D 9/02
2023/0200558 A1 * 6/2023 Yang A47D 9/012
5/98.1

Primary Examiner — Mary Ann Calabrese
Assistant Examiner — Katelin G Kloberg
(74) *Attorney, Agent, or Firm* — Sandy Lipkin

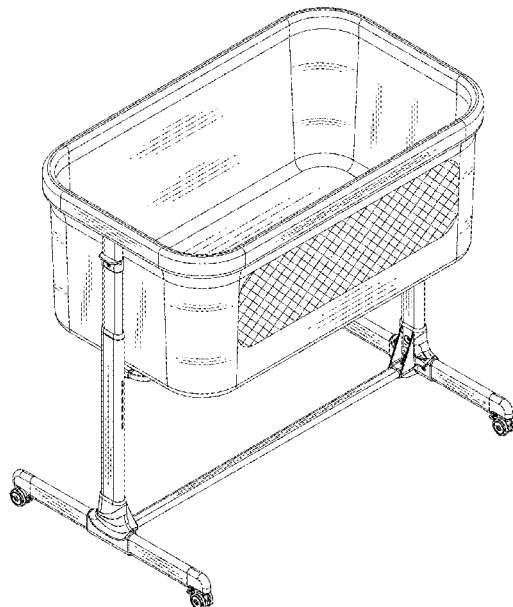
(57) **CLAIM**

The ornamental design for a baby bed, as shown and described.

DESCRIPTION

FIG. 1 is a front view of a baby bed, showing my new design;
FIG. 2 is a top view thereof;
FIG. 3 is a bottom view thereof;
FIG. 4 is a rear view thereof;
FIG. 5 is a left side view thereof;
FIG. 6 is a right side view thereof; and,
FIG. 7 is a perspective view thereof.

1 Claim, 7 Drawing Sheets



(56)

References Cited

FOREIGN PATENT DOCUMENTS

CN 218889487 U * 4/2023

OTHER PUBLICATIONS

“VaVaSoo Rocking Bassinet.” Found online Sep. 9, 2023 at www.amazon.com. Product first available Dec. 30, 2022. Retrieved from URL: <https://www.amazon.com/Bassinet-Bedside-Sleeper-Portable-Converts/dp/B08X4C4RRL> (Year: 2022).*

“AMKE 3 in 1 Baby Bassinets.” Found online Sep. 9, 2023 at www.amazon.com. Product first available Nov. 20, 2021. Retrieved from URL: <https://www.amazon.com/dp/B09NCXKB7H> (Year: 2021).*

* cited by examiner

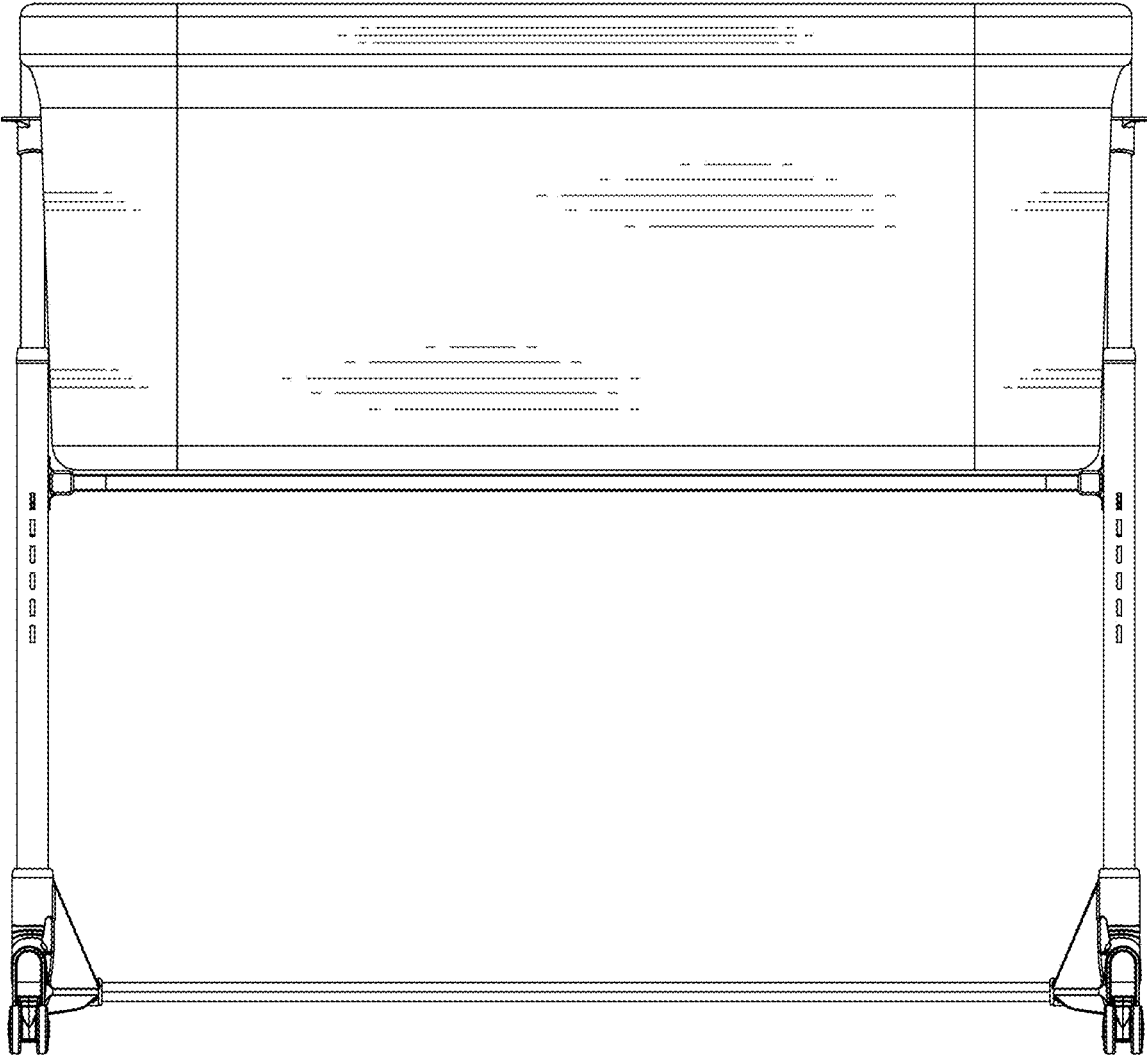


FIG. 1

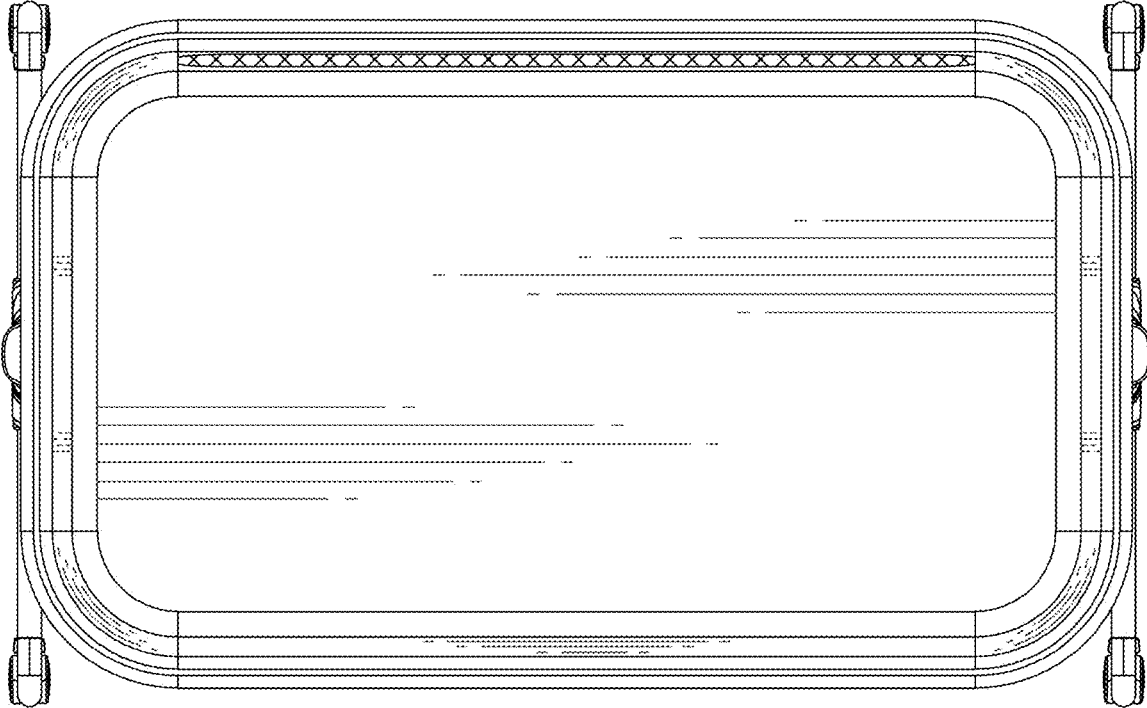


FIG. 2

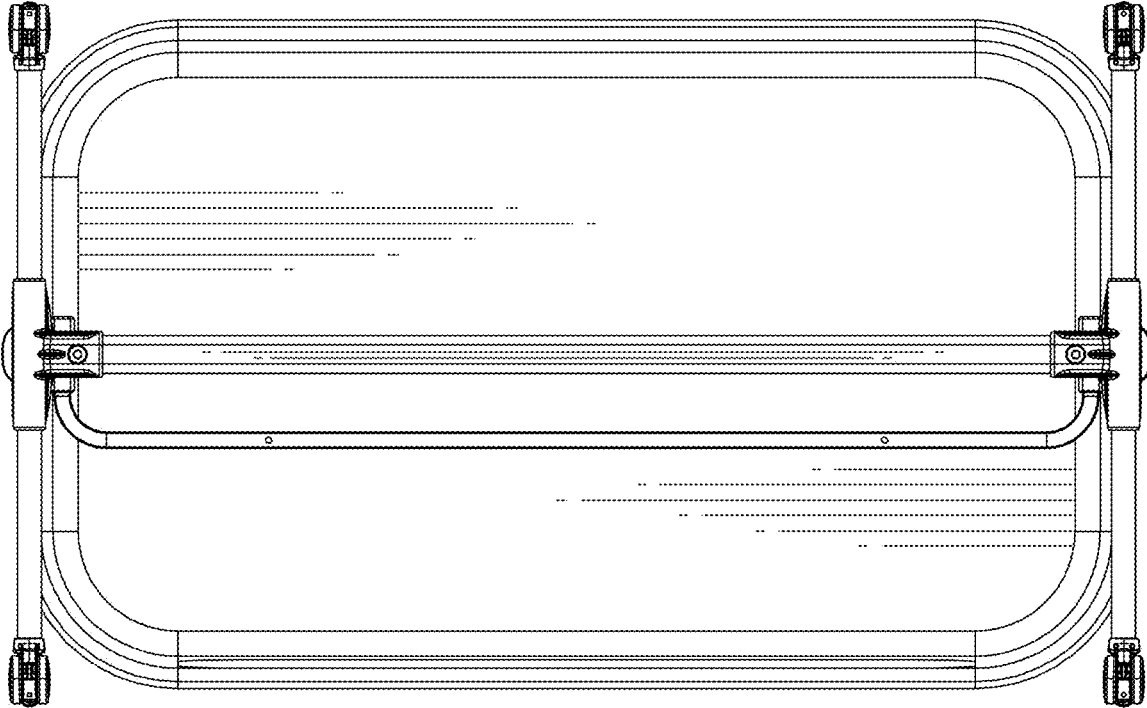


FIG. 3

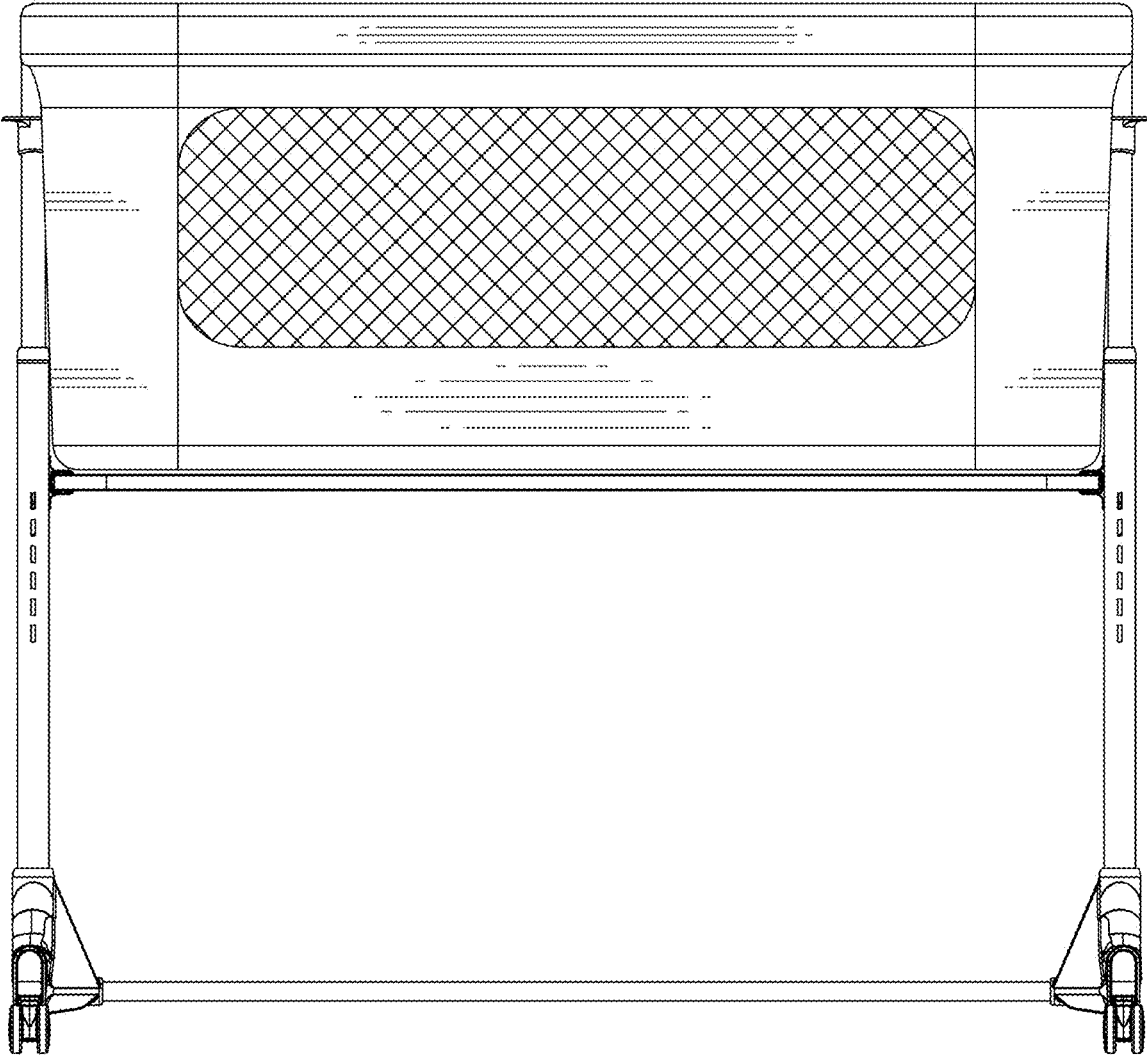


FIG. 4

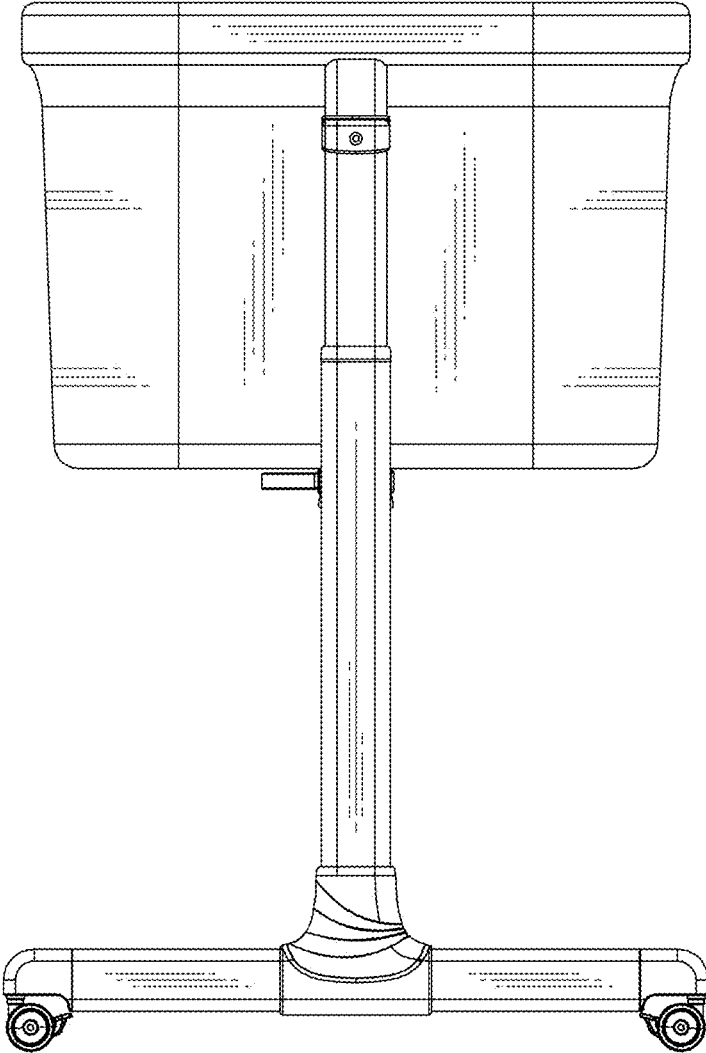


FIG. 5

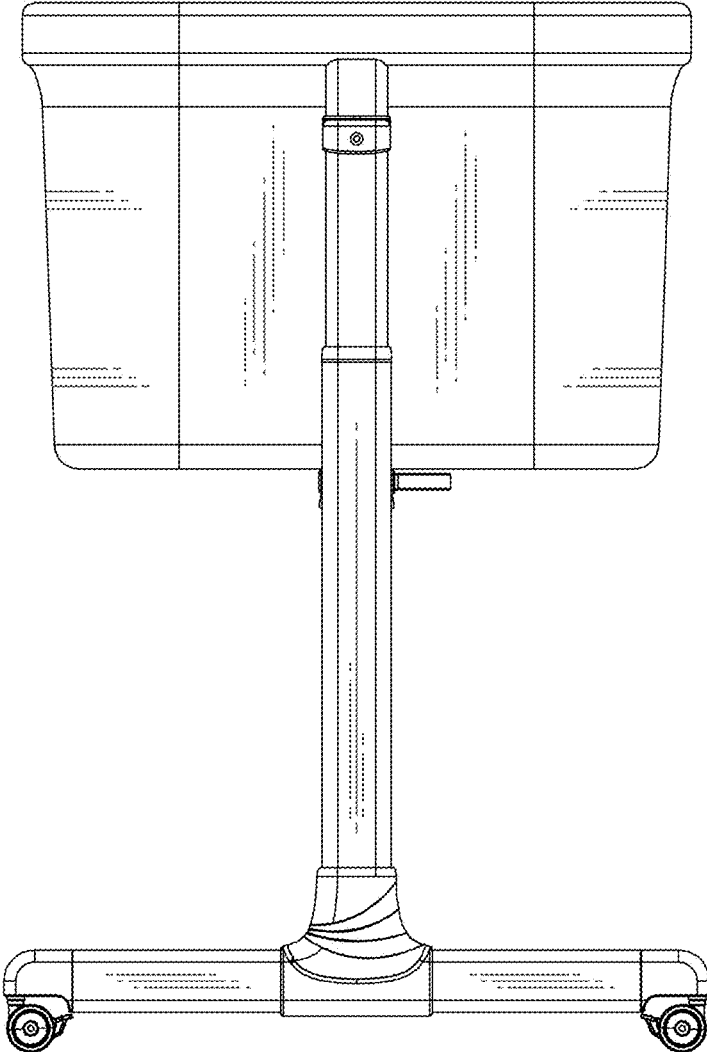


FIG. 6

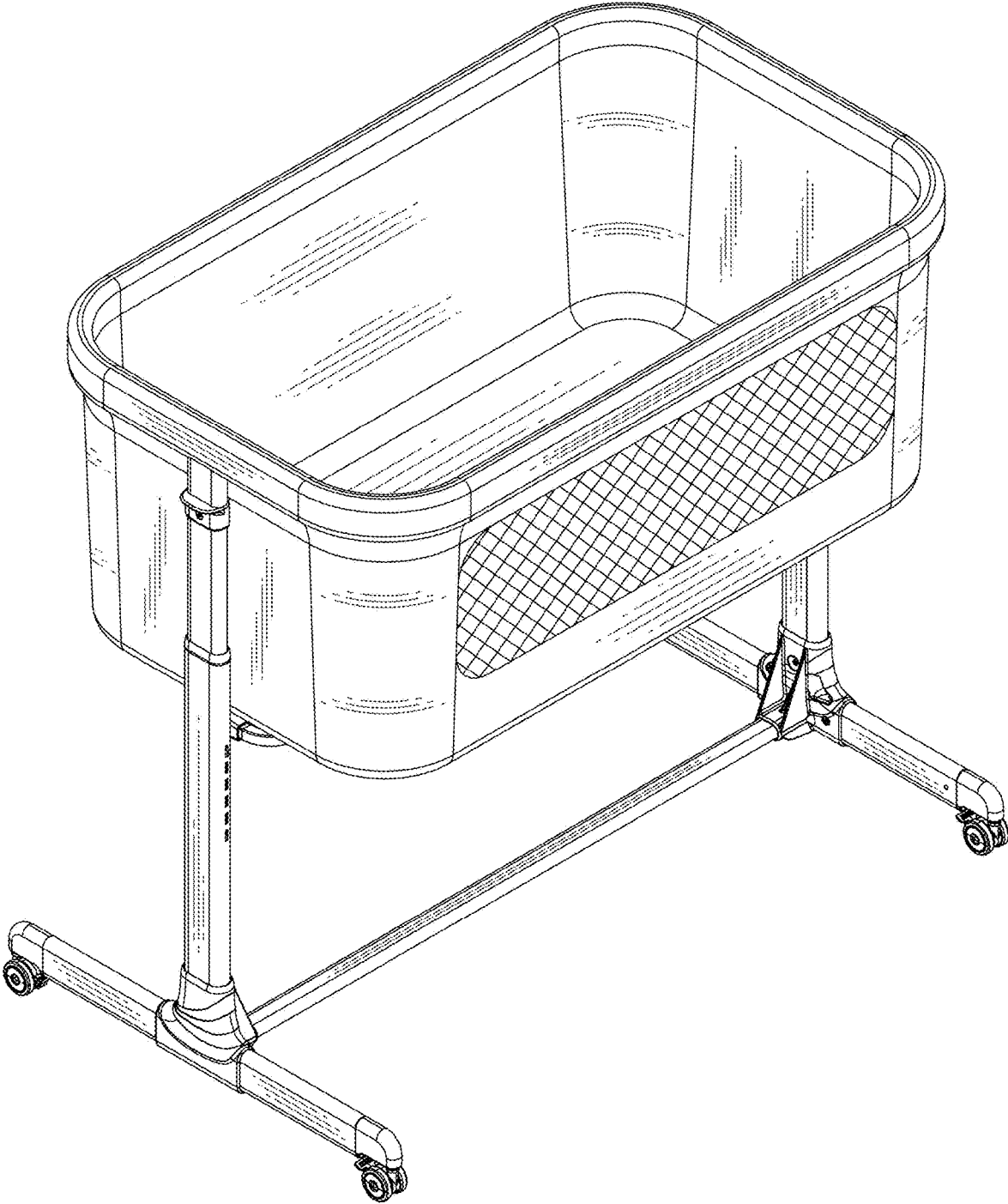


FIG. 7