

(19) World Intellectual Property Organization
International Bureau



(43) International Publication Date
20 September 2007 (20.09.2007)

PCT

(10) International Publication Number
WO 2007/105204 A3

- (51) International Patent Classification:
A47F 3/04 (2006.01) A47F 3/00 (2006.01)
- (21) International Application Number:
PCT/IL2007/000302
- (22) International Filing Date: 8 March 2007 (08.03.2007)
- (25) Filing Language: English
- (26) Publication Language: English
- (30) Priority Data:
60/780,934 10 March 2006 (10.03.2006) US

GB, GD, GE, GH, GM, GT, HN, HR, HU, ID, IL, IN, IS, JP, KE, KG, KM, KN, KP, KR, KZ, LA, LC, LK, LR, LS, LT, LU, LY, MA, MD, MG, MK, MN, MW, MX, MY, MZ, NA, NG, NI, NO, NZ, OM, PG, PH, PL, PT, RO, RS, RU, SC, SD, SE, SG, SK, SL, SM, SV, SY, TJ, TM, TN, TR, TT, TZ, UA, UG, US, UZ, VC, VN, ZA, ZM, ZW.

(84) Designated States (unless otherwise indicated, for every kind of regional protection available): ARIPO (BW, GH, GM, KE, LS, MW, MZ, NA, SD, SL, SZ, TZ, UG, ZM, ZW), Eurasian (AM, AZ, BY, KG, KZ, MD, RU, TJ, TM), European (AT, BE, BG, CH, CY, CZ, DE, DK, EE, ES, FI, FR, GB, GR, HU, IE, IS, IT, LT, LU, LV, MC, MT, NL, PL, PT, RO, SE, SI, SK, TR), OAPI (BF, BJ, CF, CG, CI, CM, GA, GN, GQ, GW, ML, MR, NE, SN, TD, TG).

- (71) Applicant and
- (72) Inventor: **KALFON, Rami, Abraham** [IL/IL]; Kfar Shmuel 64, 99788 Shimshon D.N. (IL).
- (74) Agent: **KORAKH, Eliav**; Borochoy, Korakh, Eliezri & Co., 15th Floor, Atidim Tower, Kiryat Atidim, P.O. Box 58100, 61580 Tel Aviv (IL).

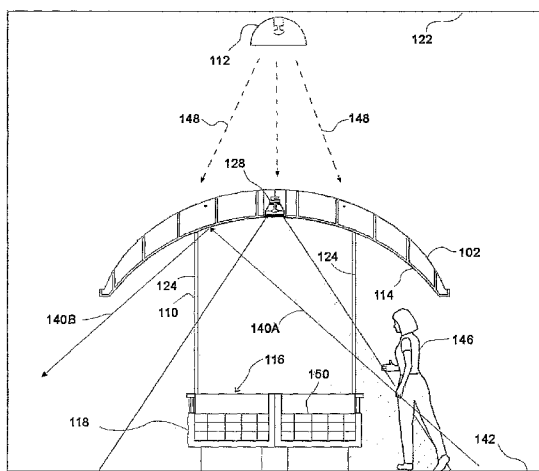
Published:
— with international search report
— before the expiration of the time limit for amending the claims and to be republished in the event of receipt of amendments

(88) Date of publication of the international search report:
24 January 2008

(81) Designated States (unless otherwise indicated, for every kind of national protection available): AE, AG, AL, AM, AT, AU, AZ, BA, BB, BG, BR, BW, BY, BZ, CA, CH, CN, CO, CR, CU, CZ, DE, DK, DM, DZ, EC, EE, EG, ES, FI,

For two-letter codes and other abbreviations, refer to the "Guidance Notes on Codes and Abbreviations" appearing at the beginning of each regular issue of the PCT Gazette.

(54) Title: REFRIGERATOR ILLUMINATION SYSTEM



(57) Abstract: Energy optimized reach in refrigerator overhead illumination system, for decreasing heat transfer from the environment to a reach in refrigerator, the reach in refrigerator having an opening facing upward, the illumination system including at least one refrigerator illuminator for illuminating at least one respective region of the opening, a curved opaque thermo reflective extension surrounding the at least one refrigerator illuminator, the opaque thermo reflective extension being located at a distance above the opening, the inner portion of the opaque thermo reflective extension, which points toward the opening, being made of a substantially low emissivity thermo reflective material, the inner portion reflecting infrared radiation which arrives external to the reach in refrigerator, to a region external to the reach in refrigerator, and an opaque thermo reflective extension fixation mechanism for fixing the at least one refrigerator illuminator, and the opaque thermo reflective extension above the opening.



WO 2007/105204 A3

INTERNATIONAL SEARCH REPORT

International application No
PCT/IL2007/000302A. CLASSIFICATION OF SUBJECT MATTER
INV. A47F3/04 A47F3/00

According to International Patent Classification (IPC) or to both national classification and IPC

B. FIELDS SEARCHED

Minimum documentation searched (classification system followed by classification symbols)
A47F

Documentation searched other than minimum documentation to the extent that such documents are included in the fields searched

Electronic data base consulted during the international search (name of data base and, where practical, search terms used)

EPO-Internal

C. DOCUMENTS CONSIDERED TO BE RELEVANT

Category*	Citation of document, with indication, where appropriate, of the relevant passages	Relevant to claim No.
X	US 2 644 736 A (ATCHISON LEONARD W) 7 July 1953 (1953-07-07) the whole document	1-55
X	WO 92/21271 A (TERMOFROST SWEDEN AB [SE]) 10 December 1992 (1992-12-10) the whole document	46-55
A		4
A	DE 10 2005 032121 A1 (BAYERISCHES ZENTRUM FUER ANGEW [DE]) 23 February 2006 (2006-02-23) the whole document	1-45
A	DE 295 12 039 U1 (ISFORT PAUL [DE]) 28 September 1995 (1995-09-28) the whole document	1-45
	-/--	

 Further documents are listed in the continuation of Box C. See patent family annex.

* Special categories of cited documents :

- *A* document defining the general state of the art which is not considered to be of particular relevance
- *E* earlier document but published on or after the international filing date
- *L* document which may throw doubts on priority claim(s) or which is cited to establish the publication date of another citation or other special reason (as specified)
- *O* document referring to an oral disclosure, use, exhibition or other means
- *P* document published prior to the international filing date but later than the priority date claimed

- *T* later document published after the international filing date or priority date and not in conflict with the application but cited to understand the principle or theory underlying the invention
- *X* document of particular relevance; the claimed invention cannot be considered novel or cannot be considered to involve an inventive step when the document is taken alone
- *Y* document of particular relevance; the claimed invention cannot be considered to involve an inventive step when the document is combined with one or more other such documents, such combination being obvious to a person skilled in the art.
- * & * document member of the same patent family

Date of the actual completion of the international search

22 November 2007

Date of mailing of the international search report

28/11/2007

Name and mailing address of the ISA/

European Patent Office, P.B. 5818 Patentlaan 2
NL - 2280 HV Rijswijk
Tel. (+31-70) 340-2040, Tx. 31 651 epo nl,
Fax: (+31-70) 340-3016

Authorized officer

Cardan, Cosmin

INTERNATIONAL SEARCH REPORT

International application No
PCT/IL2007/000302

C(Continuation). DOCUMENTS CONSIDERED TO BE RELEVANT		
Category*	Citation of document, with indication, where appropriate, of the relevant passages	Relevant to claim No.
X	EP 0 114 017 A (BONNET ETS [FR]) 25 July 1984 (1984-07-25) the whole document -----	46-55
X	GB 1 383 197 A (UNILEVER LTD) 5 February 1975 (1975-02-05) the whole document -----	46-55
X	EP 0 236 286 A (TERMOFROST SWEDEN AB [SE]) 9 September 1987 (1987-09-09) the whole document -----	46-55
A	US R E35 120 E (HEANEY JAMES J [US]) 12 December 1995 (1995-12-12) the whole document -----	46-55
A	EP 0 710 460 A (ELECTROLUX AB [SE]) 8 May 1996 (1996-05-08) the whole document -----	46-55

INTERNATIONAL SEARCH REPORT

International application No.
PCT/IL2007/000302

Box No. II Observations where certain claims were found unsearchable (Continuation of item 2 of first sheet)

This international search report has not been established in respect of certain claims under Article 17(2)(a) for the following reasons:

1. Claims Nos.:
because they relate to subject matter not required to be searched by this Authority, namely:

2. Claims Nos.:
because they relate to parts of the international application that do not comply with the prescribed requirements to such an extent that no meaningful international search can be carried out, specifically:

3. Claims Nos.:
because they are dependent claims and are not drafted in accordance with the second and third sentences of Rule 6.4(a).

Box No. III Observations where unity of invention is lacking (Continuation of item 3 of first sheet)

This International Searching Authority found multiple inventions in this international application, as follows:

see additional sheet

1. As all required additional search fees were timely paid by the applicant, this international search report covers all searchable claims.

2. As all searchable claims could be searched without effort justifying an additional fees, this Authority did not invite payment of additional fees.

3. As only some of the required additional search fees were timely paid by the applicant, this international search report covers only those claims for which fees were paid, specifically claims Nos.:

1-55

4. No required additional search fees were timely paid by the applicant. Consequently, this international search report is restricted to the invention first mentioned in the claims; it is covered by claims Nos.:

Remark on Protest

- The additional search fees were accompanied by the applicant's protest and, where applicable, the payment of a protest fee.
- The additional search fees were accompanied by the applicant's protest but the applicable protest fee was not paid within the time limit specified in the invitation.
- No protest accompanied the payment of additional search fees.

FURTHER INFORMATION CONTINUED FROM PCT/ISA/ 210

This International Searching Authority found multiple (groups of) inventions in this international application, as follows:

1. claims: 1-45

The subject-matter disclosed in claims 1 to 45 relate to an illumination system having a light reflective material.

2. claims: 46-55

The subject-matter disclosed in claim 46 to 55 refers to a device for reflecting infrared radiations.

3. claims: 56-57

The subject-matter disclosed in claims 56 and 57 relate to a device for dehumidifying a refrigerator.

INTERNATIONAL SEARCH REPORT

Information on patent family members

International application No PCT/IL2007/000302

Patent document cited in search report	A	Publication date	Patent family member(s)	Publication date
US 2644736	A	07-07-1953	NONE	
WO 9221271	A	10-12-1992	AT 142092 T AU 1905992 A CA 2102897 A1 DE 69213465 D1 DE 69213465 T2 DK 598735 T3 EP 0598735 A1 ES 2095473 T3 JP 6507795 T SE 469777 B SE 9101641 A US 5421170 A	15-09-1996 08-01-1993 01-12-1992 10-10-1996 14-08-1997 17-03-1997 01-06-1994 16-02-1997 08-09-1994 13-09-1993 01-12-1992 06-06-1995
DE 102005032121	A1	23-02-2006	NONE	
DE 29512039	U1	28-09-1995	NONE	
EP 0114017	A	25-07-1984	DE 3374977 D1 FR 2538886 A1 JP 59134476 A US 4580693 A	04-02-1988 06-07-1984 02-08-1984 08-04-1986
GB 1383197	A	05-02-1975	AT 321327 B DE 2205103 A1 FR 2124579 A5 IT 949038 B NL 7201726 A SE 378664 B	25-03-1975 17-08-1972 22-09-1972 11-06-1973 11-08-1972 08-09-1975
EP 0236286	A	09-09-1987	CA 1283158 C DE 3767510 D1 DK 101387 A GR 3001501 T3 IE 57068 B1 SE 451940 B SE 8600891 A US 4896785 A	16-04-1991 28-02-1991 28-08-1987 23-11-1992 08-04-1992 09-11-1987 28-08-1987 30-01-1990
US RE35120	E	12-12-1995	US 4477129 A	16-10-1984
EP 0710460	A	08-05-1996	DE 69504938 D1 DE 69504938 T2 SE 503658 C2 SE 9403769 A	29-10-1998 12-05-1999 29-07-1996 04-05-1996