



US00D748450S

(12) **United States Design Patent**  
**Ganter**

(10) **Patent No.:** **US D748,450 S**

(45) **Date of Patent:** **\*\* Feb. 2, 2016**

- (54) **HINGE**
- (71) Applicant: **Otto Ganter GmbH & Co. KG**,  
Furtwangen (DE)
- (72) Inventor: **Stefan Ganter**, Furtwangen (DE)
- (73) Assignee: **Otto Ganter GmbH & Co. KG**,  
Furtwangen (DE)
- (\*\*) Term: **14 Years**

5,412,842 A *	5/1995	Riblett	.....	E05D 5/12	16/250
D436,515 S *	1/2001	Sonntag	.....	D8/328	
D584,130 S *	1/2009	Bertani	.....	D8/328	
D635,433 S *	4/2011	Le	.....	D8/327	
D644,499 S *	9/2011	Herglotz	.....	D8/327	
D649,009 S *	11/2011	Caffin	.....	D8/323	
8,151,414 B2 *	4/2012	Baudasse	.....	B64G 1/222	16/227
D661,173 S *	6/2012	Caffin	.....	D8/323	
D673,024 S *	12/2012	Caffin	.....	D8/323	
D719,009 S *	12/2014	Russo	.....	D8/323	
D719,011 S *	12/2014	Russo	.....	D8/323	
D726,525 S *	4/2015	Kenerly	.....	D8/328	

(21) Appl. No.: **29/508,675**

(22) Filed: **Nov. 10, 2014**

(30) **Foreign Application Priority Data**

May 12, 2014 (EM) ..... 001411037-0001

(51) **LOC (10) Cl.** ..... **08-06**

(52) **U.S. Cl.**  
USPC ..... **D8/323**

(58) **Field of Classification Search**  
USPC ..... D8/323, 328; 16/250, 338, 227  
CPC ..... E05D 5/12; E05D 11/082; E05D 1/02;  
B64G 1/222  
See application file for complete search history.

(56) **References Cited**

**U.S. PATENT DOCUMENTS**

4,163,303 A *	8/1979	Hanna	.....	E05D 1/02	16/227
4,630,333 A *	12/1986	Vickers	.....	E05D 11/082	16/338

\* cited by examiner

*Primary Examiner* — Cynthia Underwood

(74) *Attorney, Agent, or Firm* — McGlew and Tuttle, P.C.

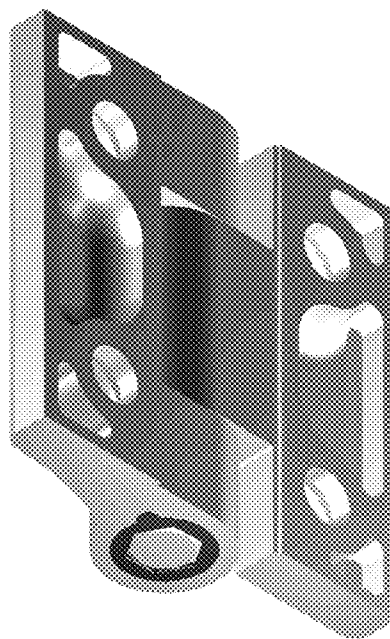
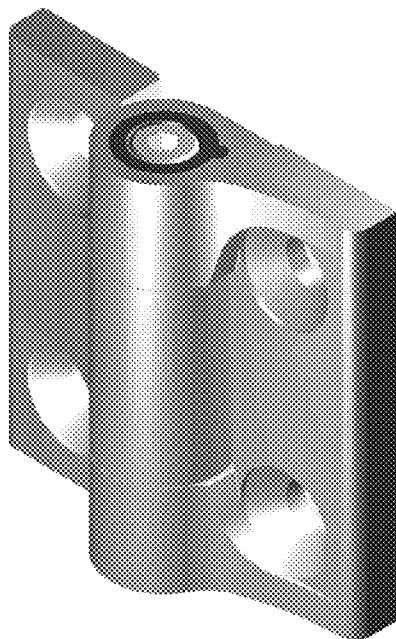
(57) **CLAIM**

The ornamental design for hinge, as shown and described.

**DESCRIPTION**

FIG. 1 is a front-top perspective view of the design;  
 FIG. 2 is a rear-bottom perspective view of the design;  
 FIG. 3 is a front-bottom perspective view of the design;  
 FIG. 4 is a front view of the design;  
 FIG. 5 is a rear view of the design;  
 FIG. 6 is a left view of the design;  
 FIG. 7 is a right view of the design;  
 FIG. 8 is a top view of the design; and,  
 FIG. 9 is a bottom view of the design.

**1 Claim, 3 Drawing Sheets**



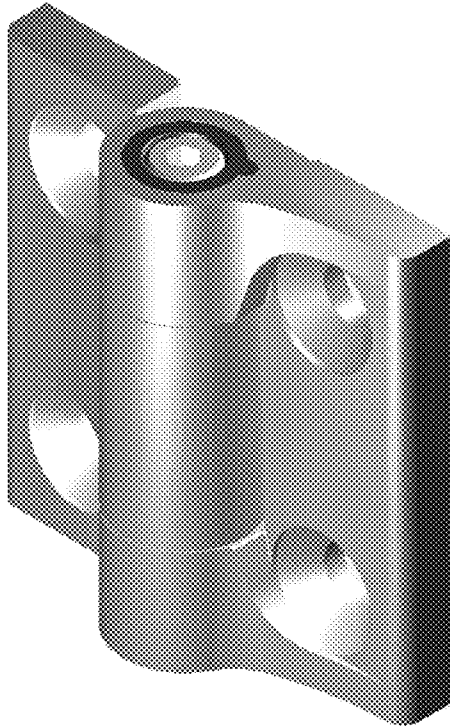


Fig. 1

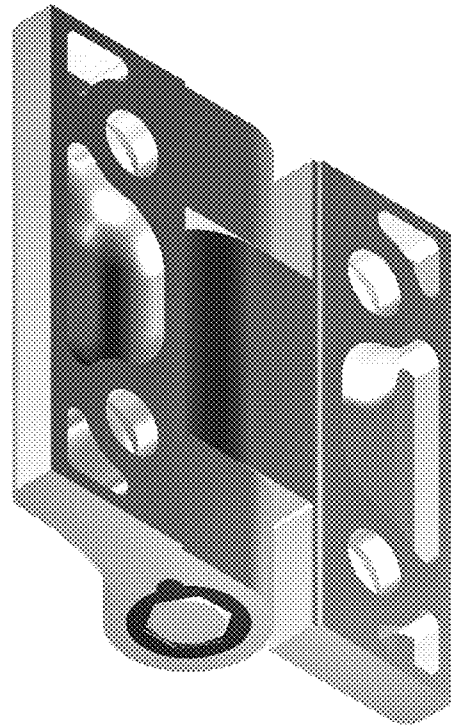


Fig. 2

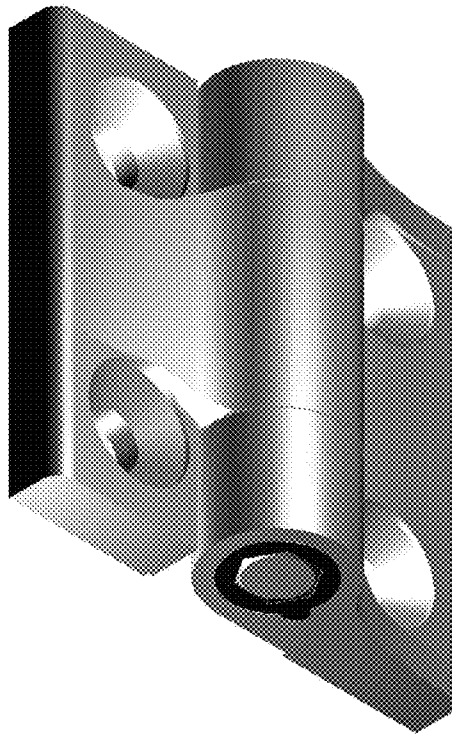


Fig. 3

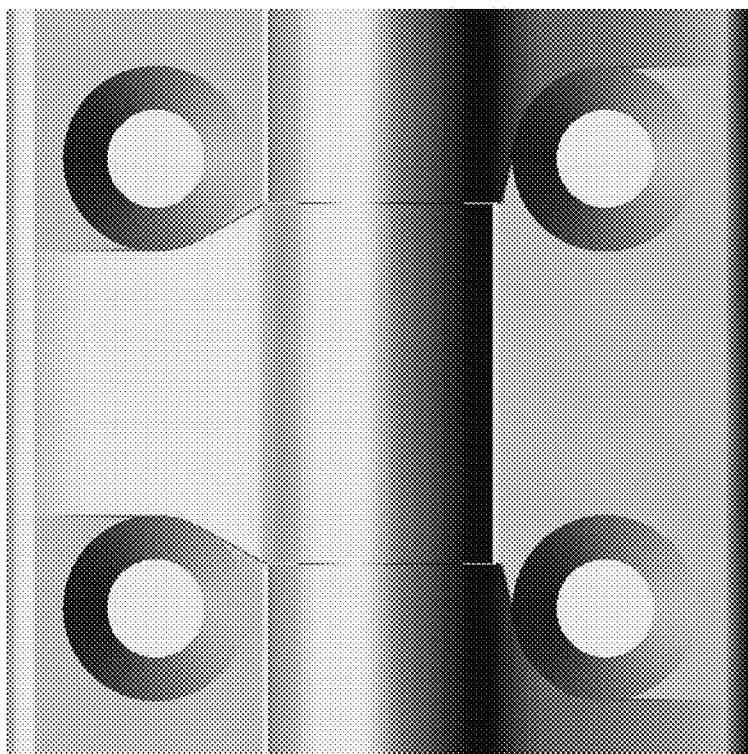


Fig. 4

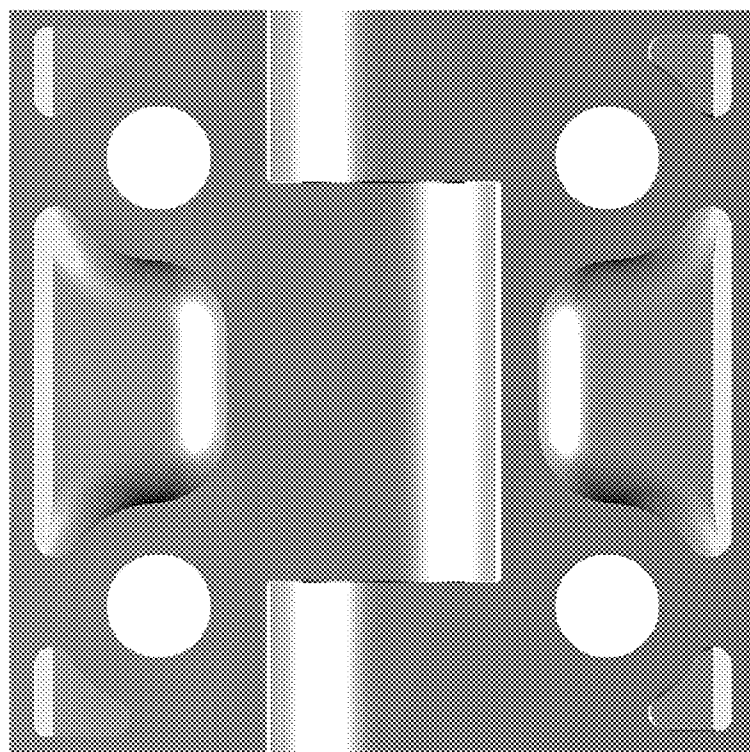


Fig. 5

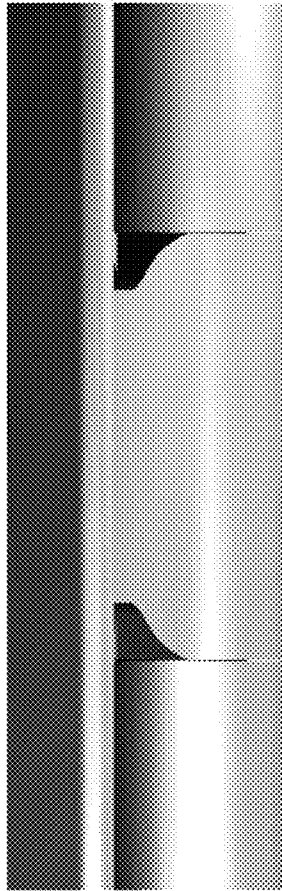


Fig. 6

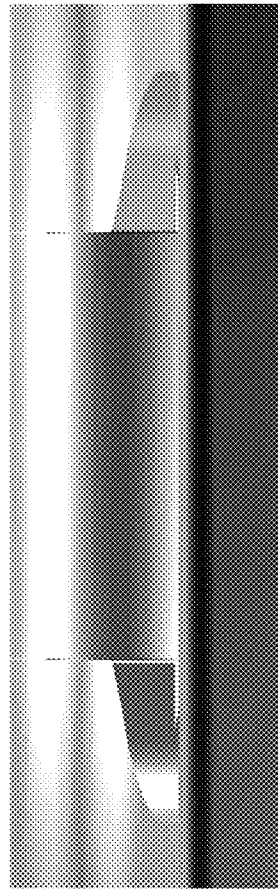


Fig. 7

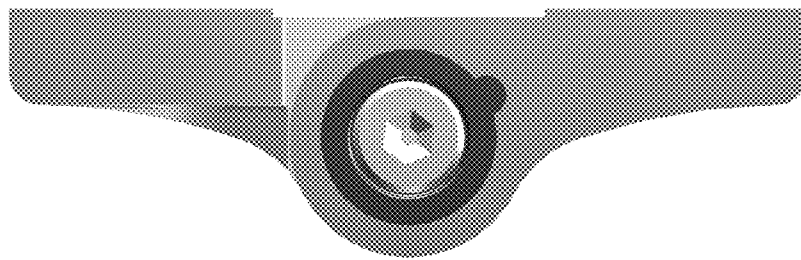


Fig. 8

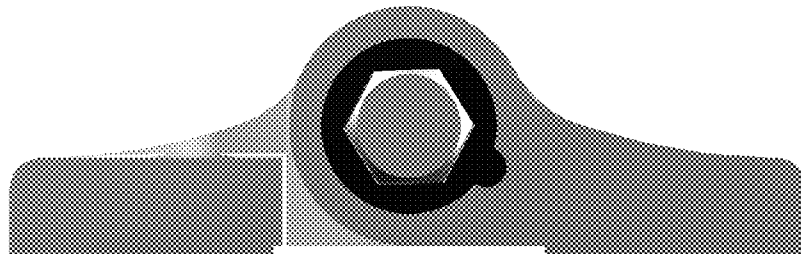


Fig. 9