



(51) International Patent Classification:

B21D 43/00 (2006.01) B30B 15/00 (2006.01)

B21D 43/05 (2006.01) B30B 15/14 (2006.01)

B30B 1/00 (2006.01)

(21) International Application Number:

PCT/TR2018/050160

(22) International Filing Date:

11 April 2018 (11.04.2018)

(25) Filing Language:

Turkish

(26) Publication Language:

English

(30) Priority Data:

2017/05931 21 April 2017 (21.04.2017) TR

(71) Applicant: DURMAZLAR MAKINA SANAYI VE TICARET ANONIM SIRKETI [TR/TR]; Organize Sanayi Bolgesi 75. Yil Bulvari, Bursa (TR).

(72) Inventor: DURMAZ, Huseyin; OSB 75. Yil Bulvari, Nilufer/Bursa (TR).

(74) Agent: KAYA, Erdem; Konak Mh. Kudret Sok. Senyurt Is. Mrk. No:6 D:8, 16110 Nilufer/Bursa (TR).

(81) Designated States (unless otherwise indicated, for every kind of national protection available): AE, AG, AL, AM,

AO, AT, AU, AZ, BA, BB, BG, BH, BN, BR, BW, BY, BZ, CA, CH, CL, CN, CO, CR, CU, CZ, DE, DJ, DK, DM, DO, DZ, EC, EE, EG, ES, FI, GB, GD, GE, GH, GM, GT, HN, HR, HU, ID, IL, IN, IR, IS, JO, JP, KE, KG, KH, KN, KP, KR, KW, KZ, LA, LC, LK, LR, LS, LU, LY, MA, MD, ME, MG, MK, MN, MW, MX, MY, MZ, NA, NG, NI, NO, NZ, OM, PA, PE, PG, PH, PL, PT, QA, RO, RS, RU, RW, SA, SC, SD, SE, SG, SK, SL, SM, ST, SV, SY, TH, TJ, TM, TN, TR, TT, TZ, UA, UG, US, UZ, VC, VN, ZA, ZM, ZW.

(84) Designated States (unless otherwise indicated, for every kind of regional protection available): ARIPO (BW, GH, GM, KE, LR, LS, MW, MZ, NA, RW, SD, SL, ST, SZ, TZ, UG, ZM, ZW), Eurasian (AM, AZ, BY, KG, KZ, RU, TJ, TM), European (AL, AT, BE, BG, CH, CY, CZ, DE, DK, EE, ES, FI, FR, GB, GR, HR, HU, IE, IS, IT, LT, LU, LV, MC, MK, MT, NL, NO, PL, PT, RO, RS, SE, SI, SK, SM, TR), OAPI (BF, BJ, CF, CG, CI, CM, GA, GN, GQ, GW, KM, ML, MR, NE, SN, TD, TG).

(54) Title: A SINGLE-CASING TANDEM PRESS

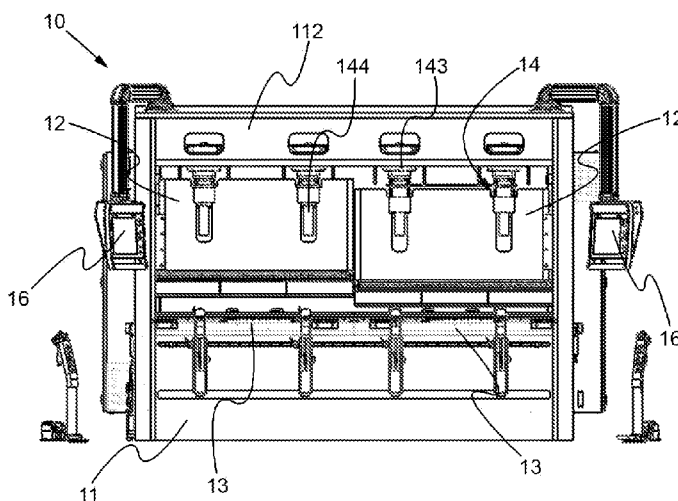


Figure 1

(57) Abstract: The present invention is a tandem press (10) used in sheet bending process and comprising at least two upper press plates (12) provided side by side and ridging groups (13) aligned with respect to said upper press plates (12), characterized by comprising a main body (11) which joins said upper press plates (12) and said ridging groups (13) in a void-free manner, and at least one upper drive mechanism (14) provided at said main body (11) and connected to each upper press plate (12) in order to move the upper press plates (12) separately or together.



**Published:**

- *with international search report (Art. 21(3))*
- *before the expiration of the time limit for amending the claims and to be republished in the event of receipt of amendments (Rule 48.2(h))*
- *in black and white; the international application as filed contained color or greyscale and is available for download from PATENTSCOPE*

**(88) Date of publication of the international search report:**

21 March 2019 (21.03.2019)

## INTERNATIONAL SEARCH REPORT

International application No.

**PCT/TR2018/050160**

<b>A. CLASSIFICATION OF SUBJECT MATTER</b>		
B21D 43/00 (2006.01)i; B21D 43/05 (2006.01)i; B30B 1/00 (2006.01)i; B30B 15/00 (2006.01)i; B30B 15/14 (2006.01)i		
According to International Patent Classification (IPC) or to both national classification and IPC		
<b>B. FIELDS SEARCHED</b>		
Minimum documentation searched (classification system followed by classification symbols) B21D 43/00; B21D 43/05; B30B 1/00; B30B 15/00; B30B 15/14		
Documentation searched other than minimum documentation to the extent that such documents are included in the fields searched TURKPATENT Patent Database		
Electronic data base consulted during the international search (name of data base and, where practicable, search terms used) EPO Abstract & Fulltext Databases, WPI Data & Keywords: single casing, tandem press, two/three/multiple, upper press, plate, driving mechanism, ridging group, vertical section, connection bearing, command/control panel, belt pulley, electric motor, feed		
<b>C. DOCUMENTS CONSIDERED TO BE RELEVANT</b>		
Category*	Citation of document, with indication, where appropriate, of the relevant passages	Relevant to claim No.
A	JP 2008068291 A (AIDA ENG LTD) 27 March 2008 (2008-03-27) Abstract & Figures	1-6
A	JP H06142996 A (HIROTEC KK) 24 January 1994 (1994-01-24) Abstract & Figures	1-6
A	KR 101536097 B1 (AJIN IND CO LTD [KR]) 10 January 2015 (2015-01-10) Abstract & Figures	1-6
A	DE 102012008444 A1 (AIDA ENG LTD [JP]) 31 January 2012 (2012-01-31) Whole Document	1-6
<input type="checkbox"/> Further documents are listed in the continuation of Box C. <input type="checkbox"/> See patent family annex.		
<p>* Special categories of cited documents:</p> <p>“A” document defining the general state of the art which is not considered to be of particular relevance</p> <p>“E” earlier application or patent but published on or after the international filing date</p> <p>“L” document which may throw doubts on priority claim(s) or which is cited to establish the publication date of another citation or other special reason (as specified)</p> <p>“O” document referring to an oral disclosure, use, exhibition or other means</p> <p>“P” document published prior to the international filing date but later than the priority date claimed</p> <p>“T” later document published after the international filing date or priority date and not in conflict with the application but cited to understand the principle or theory underlying the invention</p> <p>“X” document of particular relevance; the claimed invention cannot be considered novel or cannot be considered to involve an inventive step when the document is taken alone</p> <p>“Y” document of particular relevance; the claimed invention cannot be considered to involve an inventive step when the document is combined with one or more other such documents, such combination being obvious to a person skilled in the art</p> <p>“&amp;” document member of the same patent family</p>		
Date of the actual completion of the international search <b>27 February 2019</b>		Date of mailing of the international search report <b>27 February 2019</b>
Name and mailing address of the ISA/TR <b>Turkish Patent and Trademark Office (Turkpatent) Hipodrom Caddesi No. 115 06560 Yenimahalle Ankara Turkey</b> Telephone No. (90-312) 303 11 82 Facsimile No. +903123031220		Authorized officer  <b>Cengiz ADANUR</b>  Telephone No.