

(19) World Intellectual Property Organization
International Bureau



(43) International Publication Date
15 January 2009 (15.01.2009)

PCT

(10) International Publication Number
WO 2009/008647 A3

- (51) International Patent Classification:
H04N 7/015 (2006.01)
- (21) International Application Number:
PCT/KR2008/003986
- (22) International Filing Date: 7 July 2008 (07.07.2008)
- (25) Filing Language: English
- (26) Publication Language: English
- (30) Priority Data:
60/948,439 6 July 2007 (06.07.2007) US
60/957,714 24 August 2007 (24.08.2007) US
60/974,084 21 September 2007 (21.09.2007) US
10-2008-0065170 4 July 2008 (04.07.2008) KR

[KR/KR]; LG ELECTRONICS INC. IP GROUP, 16 Woomyeon-Dong, Seocho-Gu, Seoul 137-724 (KR). **KIM, Jin Woo** [KR/KR]; LG ELECTRONICS INC. IP GROUP, 16 Woomyeon-Dong, Seocho-Gu, Seoul 137-724 (KR). **LEE, Hyoung Gon** [KR/KR]; LG ELECTRONICS INC. IP GROUP, 16 Woomyeon-Dong, Seocho-Gu, Seoul 137-724 (KR). **SONG, Won Gyu** [KR/KR]; LG ELECTRONICS INC. IP GROUP, 16 Woomyeon-Dong, Seocho-Gu, Seoul 137-724 (KR).

(71) Applicant (for all designated States except US): **LG ELECTRONICS INC.** [KR/KR]; 20, Yeouido-dong, Yeongdeungpo-gu, Seoul 150-721 (KR).

(74) Agents: **KIM, Yong In** et al.; KBK & Associates, 7th Floor, Hyundai Building, 175-9 Jamsil-dong, Songpa-ku, Seoul 138-861 (KR).

(72) Inventors; and
(75) Inventors/Applicants (for US only): **HONG, Sung Ryong** [KR/KR]; LG ELECTRONICS INC. IP GROUP, 16 Woomyeon-Dong, Seocho-Gu, Seoul 137-724 (KR). **CHOI, In Hwan** [KR/KR]; LG ELECTRONICS INC. IP GROUP, 16 Woomyeon-Dong, Seocho-Gu, Seoul 137-724 (KR). **KWAK, Kook Yeon** [KR/KR]; LG ELECTRONICS INC. IP GROUP, 16 Woomyeon-Dong, Seocho-Gu, Seoul 137-724 (KR). **KIM, Byoung Gill**

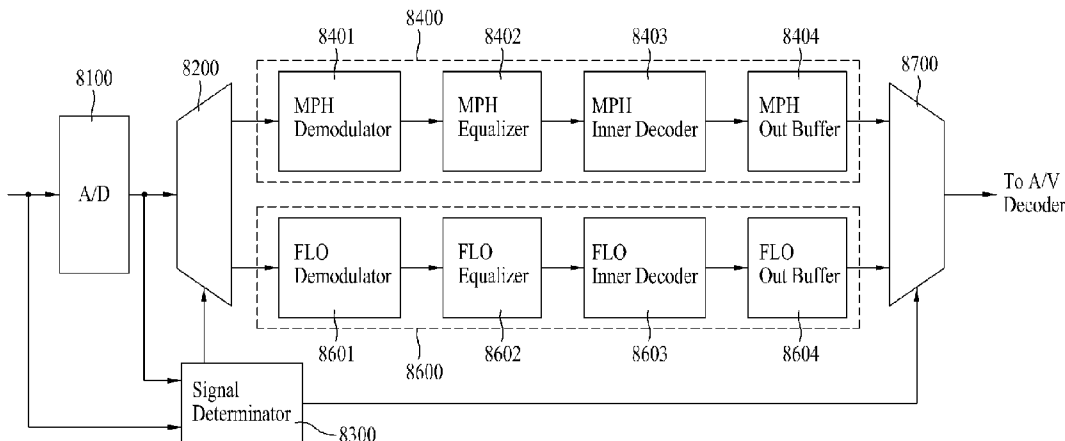
(81) Designated States (unless otherwise indicated, for every kind of national protection available): AE, AG, AL, AM, AO, AT, AU, AZ, BA, BB, BG, BH, BR, BW, BY, BZ, CA, CH, CN, CO, CR, CU, CZ, DE, DK, DM, DO, DZ, EC, EE, EG, ES, FI, GB, GD, GE, GH, GM, GT, HN, HR, HU, ID, IL, IN, IS, JP, KE, KG, KM, KN, KP, KZ, LA, LC, LK, LR, LS, LT, LU, LY, MA, MD, ME, MG, MK, MN, MW, MX, MY, MZ, NA, NG, NI, NO, NZ, OM, PG, PH, PL, PT, RO, RS, RU, SC, SD, SE, SG, SK, SL, SM, ST, SV, SY, TJ, TM, TN, TR, TT, TZ, UA, UG, US, UZ, VC, VN, ZA, ZM, ZW.

(84) Designated States (unless otherwise indicated, for every kind of regional protection available): ARIPO (BW, GH, GM, KE, LS, MW, MZ, NA, SD, SL, SZ, TZ, UG, ZM, ZW), Eurasian (AM, AZ, BY, KG, KZ, MD, RU, TJ, TM), European (AT, BE, BG, CH, CY, CZ, DE, DK, EE, ES, FI, FR, GB, GR, HR, HU, IE, IS, IT, LT, LU, LV, MC, MT, NL,

[Continued on next page]

(54) Title: DIGITAL BROADCASTING SYSTEM AND DATA PROCESSING METHOD

[Fig. 73]



(57) Abstract: A digital broadcast system having storing resistance to errors generated during the transmission of mobile service data, and a data processing method are disclosed. The digital broadcast system additionally encodes mobile service data. As a result, the mobile service data has strong resistance to a channel variation and noise, and at the same time the system can quickly cope with the channel variation.

WO 2009/008647 A3



NO, PL, PT, RO, SE, SI, SK, TR), OAPI (BF, BJ, CF, CG,
CI, CM, GA, GN, GQ, GW, ML, MR, NE, SN, TD, TG).

Published:

— *with international search report*

(88) Date of publication of the international search report:

19 March 2009

A. CLASSIFICATION OF SUBJECT MATTER***H04N 7/015(2006.01)i***

According to International Patent Classification (IPC) or to both national classification and IPC

B. FIELDS SEARCHED

Minimum documentation searched (classification system followed by classification symbols)

IPC 8 H04N

Documentation searched other than minimum documentation to the extent that such documents are included in the fields searched

Korean Utility models and applications for Utility models since 1975

Japanese Utility models and applications for Utility models since 1975

Electronic data base consulted during the international search (name of data base and, where practicable, search terms used)

eKIPASS(KIPO internal): "DVB-H, ISDB-T, dmb, pilot "

C. DOCUMENTS CONSIDERED TO BE RELEVANT

Category*	Citation of document, with indication, where appropriate, of the relevant passages	Relevant to claim No.
A	WO 2006-028337 A1 (SAMSUNG ELECTRONICS CO., LTD) 16 March 2006 See abstract; page 9 line 23- page 13 line 17; figures 4-6.	1-14
A	US 2006-0126757 A1 (Choi, In Hwan et al.) 15 June 2006 See abstract; paragraphs [27]-[29],[34],[54]-[57],[62]-[66]; figures 1 and 4-9.	1-14
A	US 6512759 B1 (Hashimoto et al.) 28 January 2003 See abstract; column 1 line 14 - column 2 line 15; figures 4-7.	1-14
A	US 6985537 B1 (Milbar et al.) 10 January 2006 See abstract; column 4 line 18 - column 5 line 17; figures 2 and 3.	1-14

 Further documents are listed in the continuation of Box C. See patent family annex.

* Special categories of cited documents:

"A" document defining the general state of the art which is not considered to be of particular relevance

"E" earlier application or patent but published on or after the international filing date

"L" document which may throw doubts on priority claim(s) or which is cited to establish the publication date of citation or other special reason (as specified)

"O" document referring to an oral disclosure, use, exhibition or other means

"P" document published prior to the international filing date but later than the priority date claimed

"T" later document published after the international filing date or priority date and not in conflict with the application but cited to understand the principle or theory underlying the invention

"X" document of particular relevance; the claimed invention cannot be considered novel or cannot be considered to involve an inventive step when the document is taken alone

"Y" document of particular relevance; the claimed invention cannot be considered to involve an inventive step when the document is combined with one or more other such documents, such combination being obvious to a person skilled in the art

"&" document member of the same patent family

Date of the actual completion of the international search

18 DECEMBER 2008 (18.12.2008)

Date of mailing of the international search report

18 DECEMBER 2008 (18.12.2008)

Name and mailing address of the ISA/KR

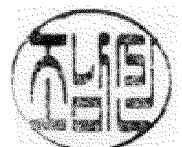
Korean Intellectual Property Office
Government Complex-Daejeon, 139 Seonsa-ro, Seo-
gu, Daejeon 302-701, Republic of Korea

Facsimile No. 82-42-472-7140

Authorized officer

Cho, Nam Shin

Telephone No. 82-42-481-8589



INTERNATIONAL SEARCH REPORT

Information on patent family members

International application No.

PCT/KR2008/003986

Patent document cited in search report	Publication date	Patent family member(s)	Publication date
WO 2006-028337 A1	16.03.2006	CN 101010953 A JP 2008-512037 A KR 10-2006-0051007 A	01.08.2007 17.04.2008 19.05.2006
US 2006-0126757 A1	15.06.2006	AR 052653 A1 BR P10506203 A CA 2529960 A1 CN 1791188 A KR 10-2006-0067418 A MX PA05013484 A	28.03.2007 03.04.2007 15.06.2006 21.06.2006 20.06.2006 19.06.2006
US 6512759 B1	28.01.2003	CN 1248363 A CN 1222132 C DE 69833688 D1 EP 0963073 A1 EP 0963073 A4 EP 0963073 B1 JP 11-177537 A WO 99-31836 A1	22.03.2000 05.10.2005 27.04.2006 08.12.1999 10.04.2002 01.03.2006 02.07.1999 24.06.1999
US 6985537 B1	10.01.2006	CA 2317903 A1 CA 2317903 C EP 1087584 A2 EP 1087584 A3 EP 1087584 B1 JP 2001-127733 A	15.03.2001 29.11.2005 28.03.2001 17.12.2003 20.02.2008 11.05.2001