



US00D484366S

(12) **United States Design Patent** (10) **Patent No.:** **US D484,366 S**  
**Yamane** (45) **Date of Patent:** **\*\* Dec. 30, 2003**

(54) **CLOTH BOTTLE COVER WITH SNOWMAN DESIGN**

JP 13 1131997 S 11/2001  
JP 14 1140786 S 3/2002

(75) Inventor: **Yusaku Yamane**, Kobe (JP)

\* cited by examiner

(73) Assignee: **Felissimo Corp.**, Kobe (JP)

*Primary Examiner*—Terry A. Wallace  
(74) *Attorney, Agent, or Firm*—Hughes Hubbard & Reed LLP; Ronald Abramson; Sheryl L. Sandridge

(\*\*) Term: **14 Years**

(21) Appl. No.: **29/157,394**

(57) **CLAIM**

(22) Filed: **Mar. 15, 2002**

I claim the ornamental design for a cloth bottle cover with snowman design, as shown and described.

(51) **LOC (7) Cl.** ..... **07-06**

**DESCRIPTION**

(52) **U.S. Cl.** ..... **D7/625; D2/831**

(58) **Field of Search** ..... D7/624, 625; D9/444;  
D2/828, 830-832, 839, 741, 719, 725, 745,  
746; 428/7, 35.7, 35.8, 36.1, 36.5

FIG. 1 shows a front isometric view of one configuration of the snowman cloth bottle cover according to the invention. FIG. 2 is a front view of the snowman cloth bottle cover according to the invention.

(56) **References Cited**

**U.S. PATENT DOCUMENTS**

D139,535 S	*	1/1944	Bauer	.....	D2/831
4,569,089 A	*	2/1986	Nesse	.....	2/108
4,867,214 A	*	9/1989	Fuller	.....	428/35.8
4,928,321 A	*	5/1990	Dobson	.....	2/84

FIG. 3 is a back view of A snowman cloth bottle cover according to the invention.

FIG. 4 is a left side view of A snowman cloth bottle cover according to the invention.

FIG. 5 is a top view of A snowman cloth bottle cover according to the invention; and,

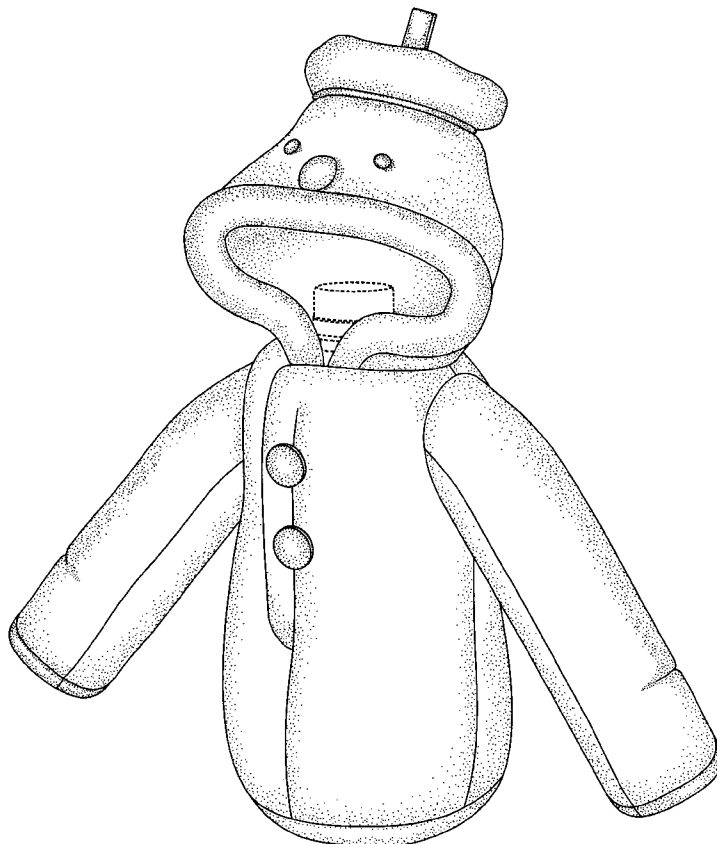
FIG. 6 is a bottom view of A snowman cloth bottle cover according to the invention.

**FOREIGN PATENT DOCUMENTS**

JP	13 1131830 S	11/2001
JP	13 1131995 S	11/2001
JP	13 1131996 S	11/2001

The broken lines are for illustrative purposes only and form no part of the claimed design.

**1 Claim, 5 Drawing Sheets**



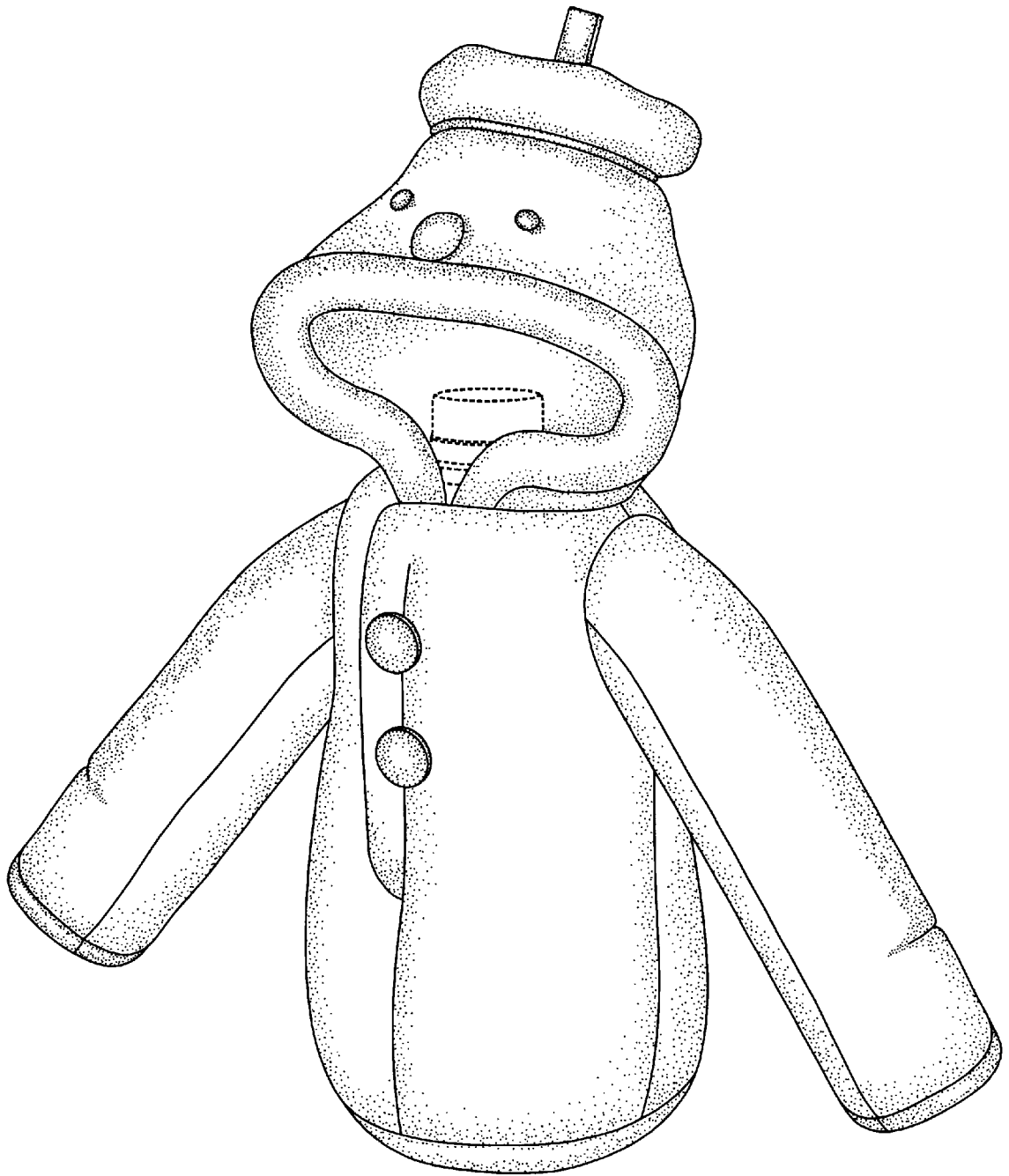


FIG. 1

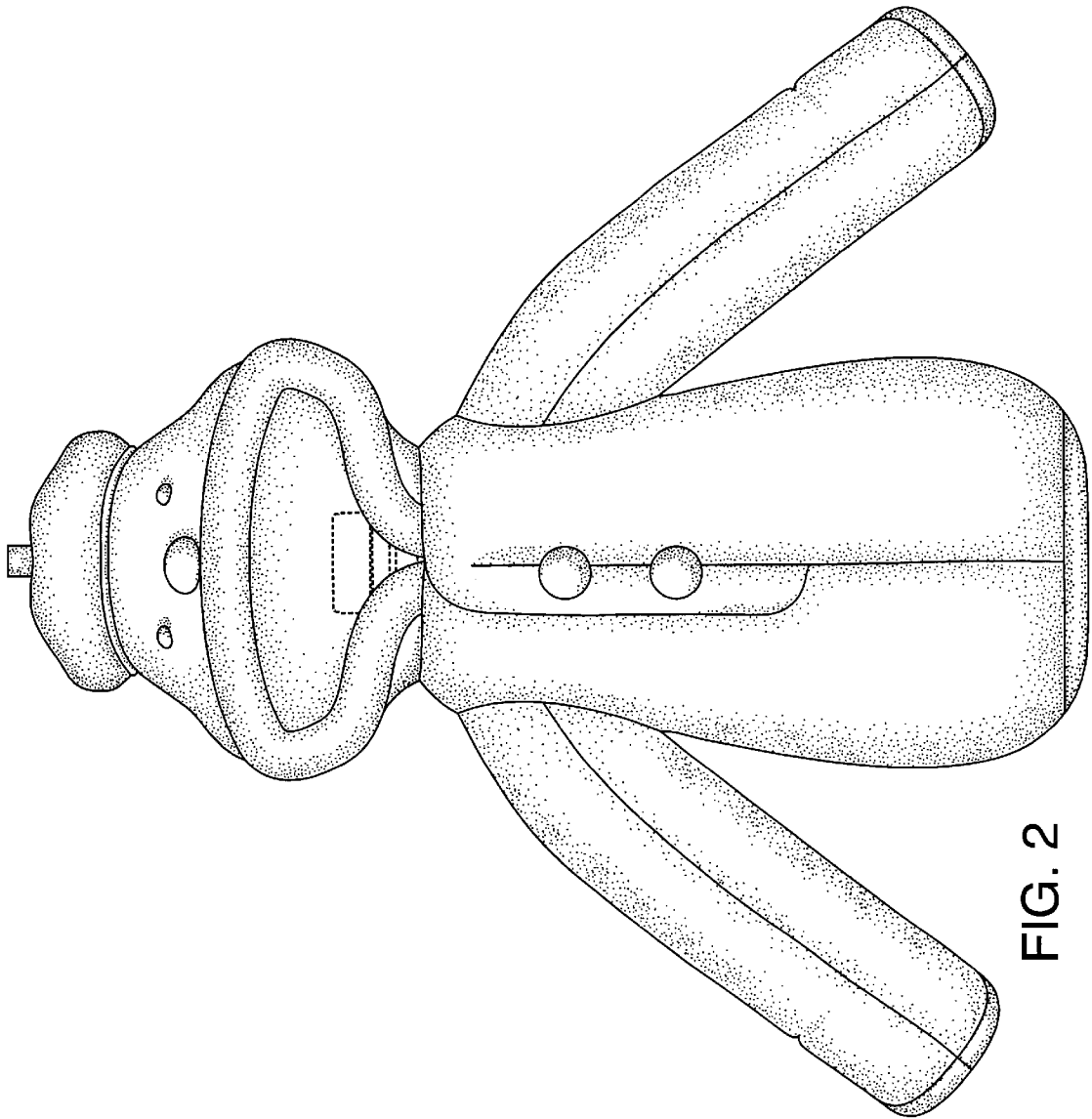


FIG. 2

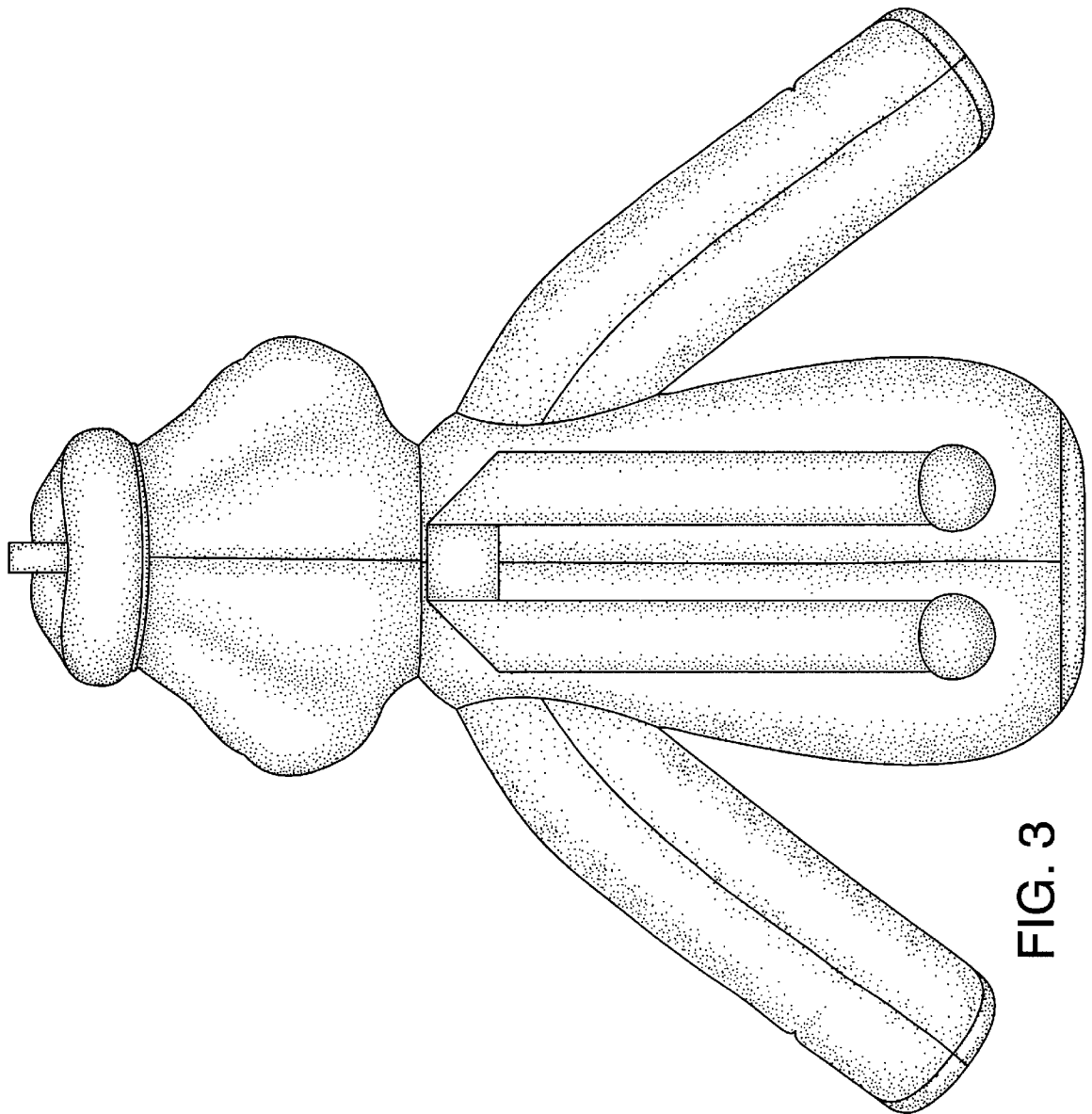


FIG. 3

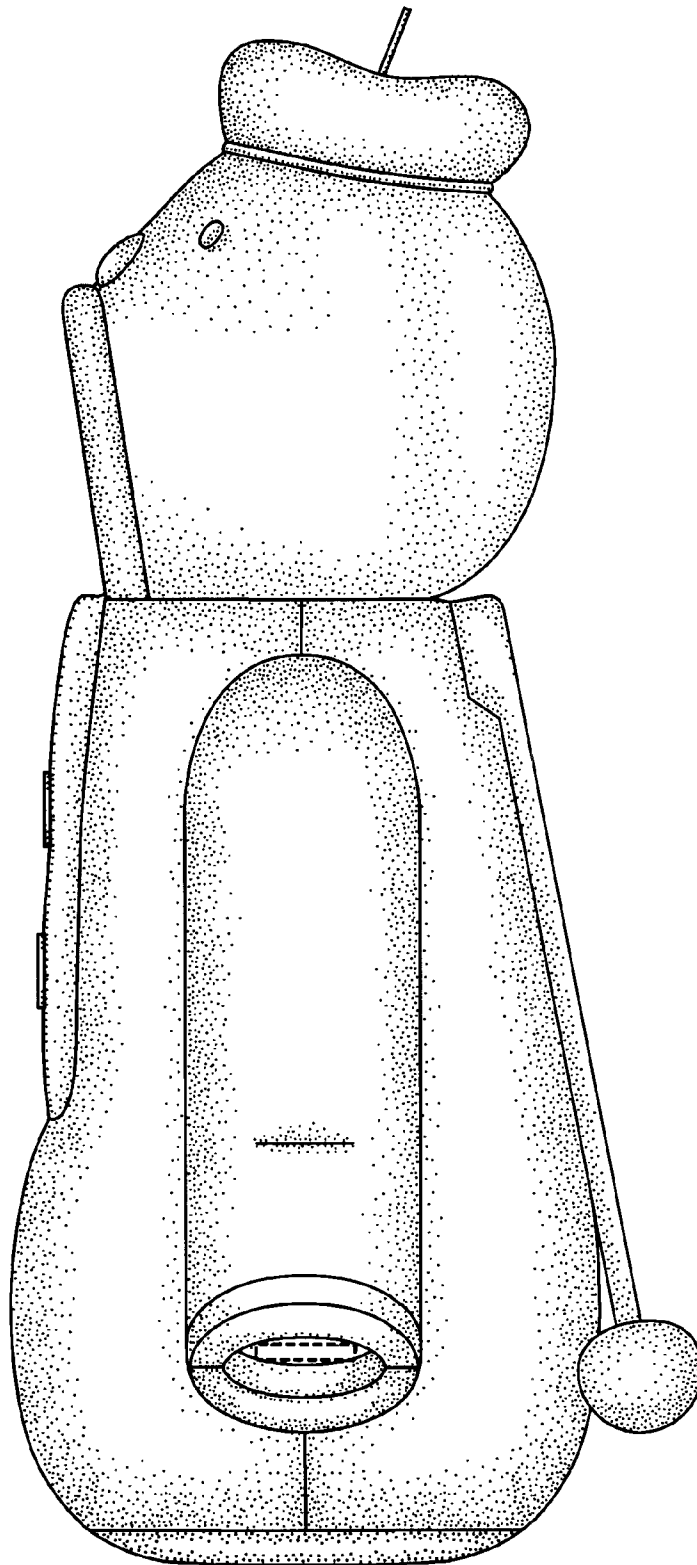


FIG. 4

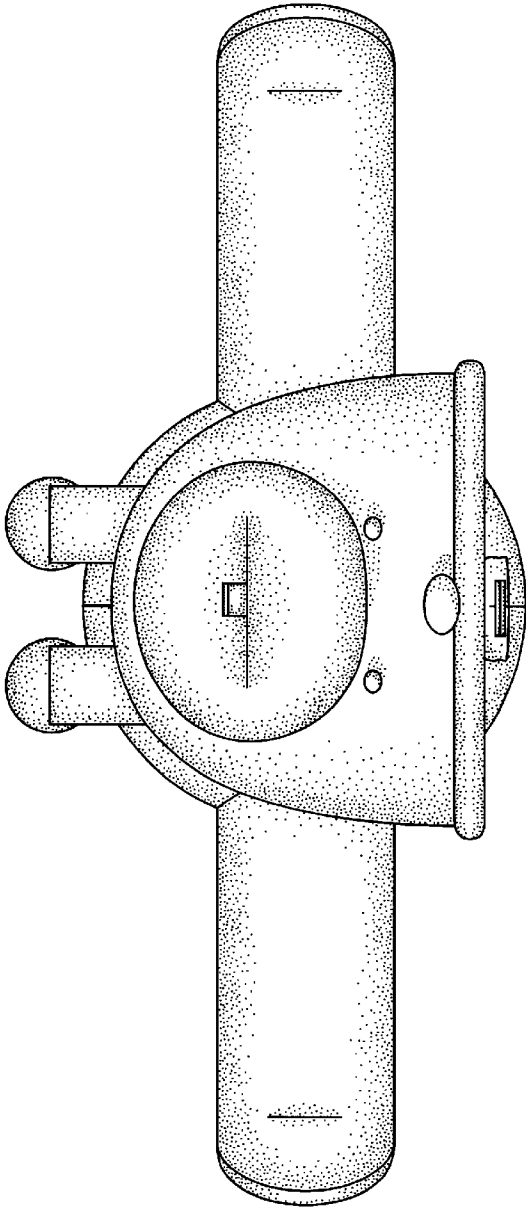


FIG. 5

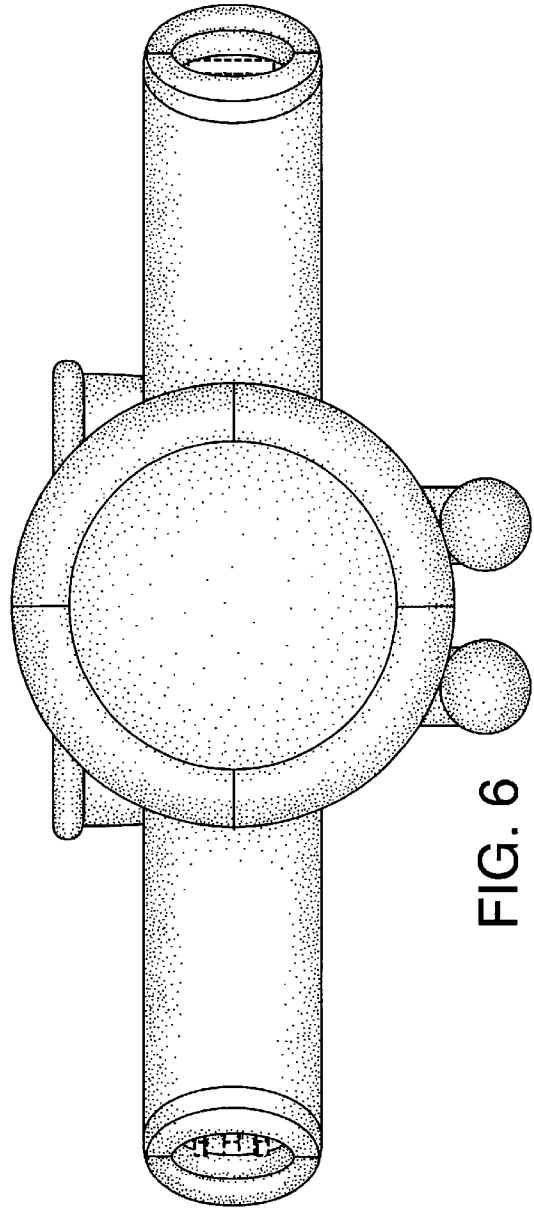


FIG. 6