

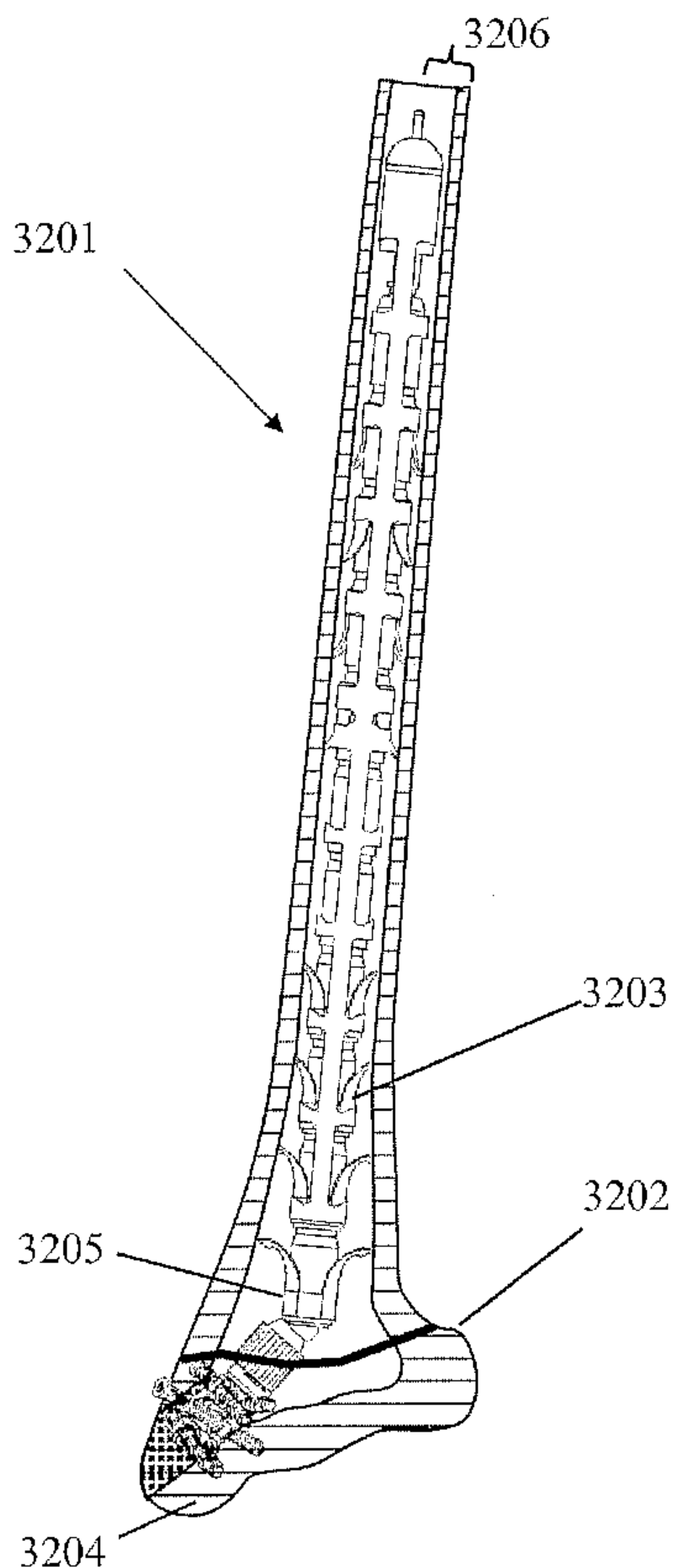


(86) Date de dépôt PCT/PCT Filing Date: 2006/05/15
 (87) Date publication PCT/PCT Publication Date: 2006/11/23
 (85) Entrée phase nationale/National Entry: 2007/11/16
 (86) N° demande PCT/PCT Application No.: US 2006/018704
 (87) N° publication PCT/PCT Publication No.: 2006/124764
 (30) Priorité/Priority: 2005/05/18 (US60/682,652)

(51) Cl.Int./Int.Cl. *A61B 17/72* (2006.01)
 (71) Demandeur/Applicant:
SONOMA ORTHOPEDIC PRODUCTS, INC., US
 (72) Inventeurs/Inventors:
NELSON, CHARLES L., US;
SARAVIA, HEBER, US;
MAZUR, KAI U., US
 (74) Agent: SMART & BIGGAR

(54) Titre : DISPOSITIFS DE FIXATION DES OS A EFFRACTION MINIMALE, SYSTEMES ET METHODES D'UTILISATION

(54) Title: MINIMALLY INVASIVE ACTUABLE BONE FIXATION DEVICES, SYSTEMS AND METHODS OF USE



(57) **Abrégé/Abstract:**

Method and apparatus for bone reinforcement, fixation and treatment of diseased or fractured bones including a supporting structure optionally coated with therapeutic agent is provided. The supporting structure or device may be collapsible upon deployment at the surgical site, and include fixation features such as anchors to securely position in place once deployed. Bone cement or other material may be provided to alternatively secure the positioned supporting structure for treatment.

(12) INTERNATIONAL APPLICATION PUBLISHED UNDER THE PATENT COOPERATION TREATY (PCT)

(19) World Intellectual Property Organization
International Bureau(43) International Publication Date
23 November 2006 (23.11.2006)

PCT

(10) International Publication Number
WO 2006/124764 A1(51) International Patent Classification:
A61B 17/58 (2006.01)(21) International Application Number:
PCT/US2006/018704

(22) International Filing Date: 15 May 2006 (15.05.2006)

(25) Filing Language: English

(26) Publication Language: English

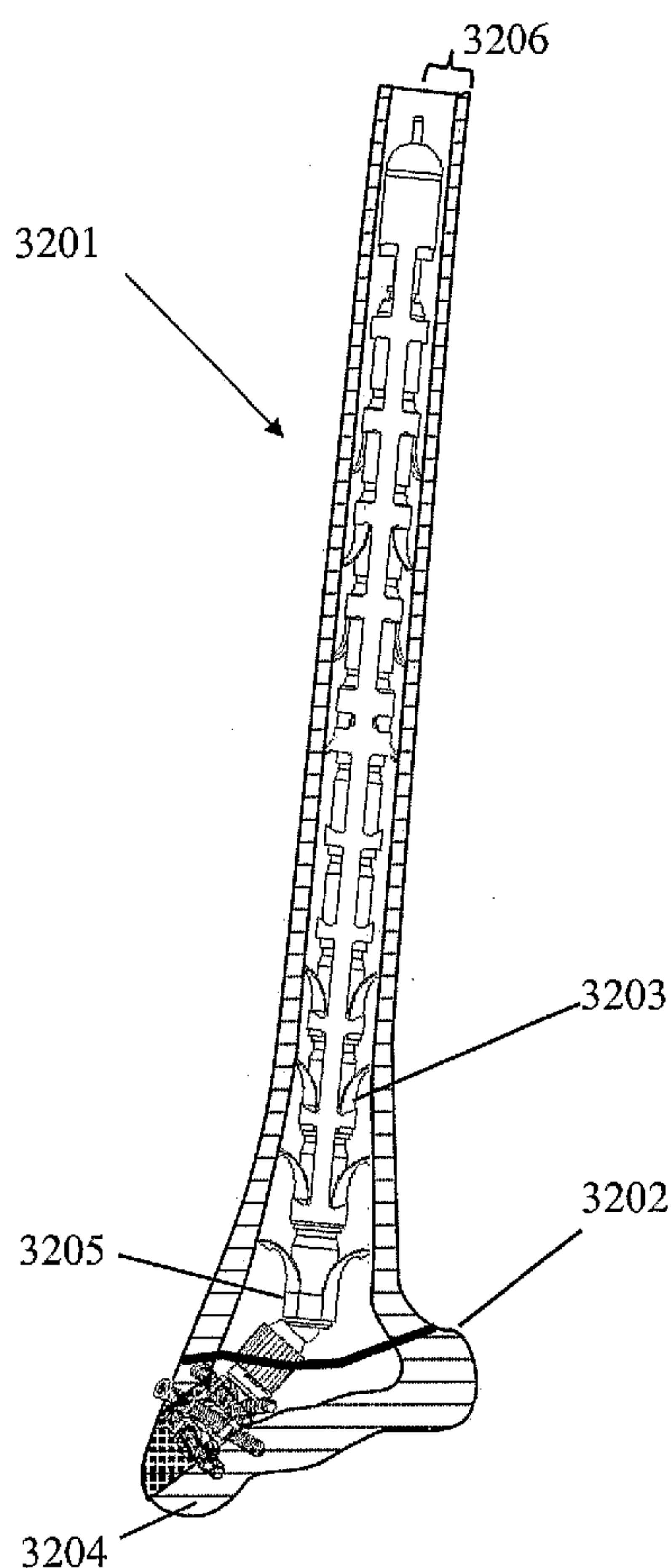
(30) Priority Data:
60/682,652 18 May 2005 (18.05.2005) US(71) Applicant (for all designated States except US):
SONOMA ORTHOPEDIC PRODUCTS, INC.
[US/US]; 3744 Woodbourne Place, Santa Rosa, CA
95403 (US).

(72) Inventors; and

(75) Inventors/Applicants (for US only): **NELSON, Charles,
L.** [US/US]; 3744 Woodbourne Place, Santa Rosa, CA
95403 (US). **SARAVIA, Heber** [NI/US]; 4730 TartonDrive, Santa Rosa, CA 95405 (US). **MAZUR, Kai, U.**
[US/US]; 195 Meadowcroft Way, Santa Rosa, CA 95403
(US).(74) Agents: **O'REGAN, Cecily, Anne** et al.; WILSON SON-
SINI GOODRICH & ROSATI, 650 Page Mill Road, Palo
Alto, CA 94304-1050 (US).(81) Designated States (unless otherwise indicated, for every
kind of national protection available): AE, AG, AL, AM,
AT, AU, AZ, BA, BB, BG, BR, BW, BY, BZ, CA, CH, CN,
CO, CR, CU, CZ, DE, DK, DM, DZ, EC, EE, EG, ES, FI,
GB, GD, GE, GH, GM, HR, HU, ID, IL, IN, IS, JP, KE,
KG, KM, KN, KP, KR, KZ, LC, LK, LR, LS, LT, LU, LV,
LY, MA, MD, MG, MK, MN, MW, MX, MZ, NA, NG, NI,
NO, NZ, OM, PG, PH, PL, PT, RO, RU, SC, SD, SE, SG,
SK, SL, SM, SY, TJ, TM, TN, TR, TT, TZ, UA, UG, US,
UZ, VC, VN, YU, ZA, ZM, ZW.(84) Designated States (unless otherwise indicated, for every
kind of regional protection available): ARIPO (BW, GH,
GM, KE, LS, MW, MZ, NA, SD, SL, SZ, TZ, UG, ZM,
ZW), Eurasian (AM, AZ, BY, KG, KZ, MD, RU, TJ, TM),
European (AT, BE, BG, CH, CY, CZ, DE, DK, EE, ES, FI,

[Continued on next page]

(54) Title: MINIMALLY INVASIVE ACTUABLE BONE FIXATION DEVICES, SYSTEMS AND METHODS OF USE

(57) Abstract: Method and apparatus for bone reinforcement, fixation and treat-
ment of diseased or fractured bones including a supporting structure optionally
coated with therapeutic agent is provided. The supporting structure or device
may be collapsible upon deployment at the surgical site, and include fixation
features such as anchors to securely position in place once deployed. Bone cem-
ent or other material may be provided to alternatively secure the positioned
supporting structure for treatment.

WO 2006/124764 A1

WO 2006/124764 A1



FR, GB, GR, HU, IE, IS, IT, LT, LU, LV, MC, NL, PL, PT,
RO, SE, SI, SK, TR), OAPI (BF, BJ, CF, CG, CI, CM, GA,
GN, GQ, GW, ML, MR, NE, SN, TD, TG).

— *before the expiration of the time limit for amending the
claims and to be republished in the event of receipt of
amendments*

Published:

— *with international search report*

*For two-letter codes and other abbreviations, refer to the "Guid-
ance Notes on Codes and Abbreviations" appearing at the begin-
ning of each regular issue of the PCT Gazette.*

**MINIMALLY INVASIVE ACTUABLE BONE FIXATION DEVICES,
SYSTEMS AND METHODS OF USE**

CROSS-REFERENCE

[0001] This application claims the benefit of U.S. Provisional Application No. 60/682,652, filed May 18, 2005
5 entitled Method and System for Providing Reinforcement of Bones, which is incorporated herein by reference in its
entirety.

BACKGROUND OF THE INVENTION

[0002] The present invention relates to method and system for providing reinforcement of bones. More
specifically, the present invention relates to method and system for providing reconstructive surgical procedures and
10 devices for reconstruction and reinforcement bones, including diseased, osteoporotic and fractured bones.

[0003] Bone fractures are a common medical condition both in the young and old segments of the population.
However, with an increasingly aging population, osteoporosis has become more of a significant medical concern in
part due to the risk of osteoporotic fractures. Osteoporosis and osteoarthritis are among the most common
conditions to affect the musculoskeletal system, as well as frequent causes of locomotor pain and disability.
15 Osteoporosis can occur in both human and animal subjects (*e.g.* horses). Osteoporosis (OP) and osteoarthritis (OA)
occur in a substantial portion of the human population over the age of fifty. The National Osteoporosis Foundation
estimates that as many as 44 million Americans are affected by osteoporosis and low bone mass, leading to fractures
in more than 300,000 people over the age of 65. In 1997 the estimated cost for osteoporosis related fractures was
\$13 billion. That figure increased to \$17 billion in 2002 and is projected to increase to \$210-240 billion by 2040.
20 Currently it is expected that one in two women, and one in four men, over the age of 50 will suffer an osteoporosis-
related fracture. Osteoporosis is the most important underlying cause of fracture in the elderly.

[0004] One current treatment of bone fractures includes surgically resetting the fractured bone. After the surgical
procedure, the fractured area of the body (*i.e.*, where the fractured bone is located) is often placed in an external cast
for an extended period of time to ensure that the fractured bone heals properly. This can take several months for the
25 bone to heal and for the patient to remove the cast before resuming normal activities.

[0005] In some instances, an intramedullary (IM) rod or nail is used to align and stabilize the fracture. In that
instance, a metal rod is placed inside a canal of a bone and fixed in place, typically at both ends. *See*, for example,
Fixion™ IM (Nail), www.disc-o-tech.com. This approach requires incision, access to the canal, and placement of
the IM nail. The nail can be subsequently removed or left in place. A conventional IM nail procedure requires a
30 similar, but possibly larger, opening to the space, a long metallic nail being placed across the fracture, and either
subsequent removal, and or when the nail is not removed, a long term implant of the IM nail. The outer diameter of
the IM nail must be selected for the minimum inside diameter of the space. Therefore, portions of the IM nail may
not be in contact with the canal. Further, micro-motion between the bone and the IM nail may cause pain or
necrosis of the bone. In still other cases, infection can occur. The IM nail may be removed after the fracture has
35 healed. This requires a subsequent surgery with all of the complications and risks of a later intrusive procedure.

[0006] External fixation is another technique employed to repair fractures. In this approach, a rod may traverse the
fracture site outside of the epidermis. The rod is attached to the bone with trans-dermal screws. If external fixation
is used, the patient will have multiple incisions, screws, and trans-dermal infection paths. Furthermore, the external
fixation is cosmetically intrusive, bulky, and prone to painful inadvertent manipulation by environmental conditions
40 such as, for example, bumping into objects and laying on the device.

[0007] Other concepts relating to bone repair are disclosed in, for example, US Patents 5,108,404 to Scholten for Surgical Protocol for Fixation of Bone Using Inflatable Device; 4,453,539 to Raftopoulos et al. for Expandable Intramedullary Nail for the Fixation of Bone Fractures; 4,854,312 to Raftopolous for Expanding Nail; 4,932,969 to Frey et al. for Joint Endoprosthesis; 5,571,189 to Kuslich for Expandable Fabric Implant for Stabilizing the Spinal Motion Segment; 4,522,200 to Stednitz for Adjustable Rod; 4,204,531 to Aginsky for Nail with Expanding Mechanism; 5,480,400 to Berger for Method and Device for Internal Fixation of Bone Fractures; 5,102,413 to Poddar for Inflatable Bone Fixation Device; 5,303,718 to Krajicek for Method and Device for the Osteosynthesis of Bones; 6,358,283 to Hogfors et al. for Implantable Device for Lengthening and Correcting Malpositions of Skeletal Bones; 6,127,597 to Beyar et al. for Systems for Percutaneous Bone and Spinal Stabilization, Fixation and Repair; 6,527,775 to Warburton for Interlocking Fixation Device for the Distal Radius; U.S. Patent Publication US2006/0084998 A1 to Levy et al. for Expandable Orthopedic Device; and PCT Publication WO 2005/112804 A1 to Myers Surgical Solutions, LLC for Fracture Fixation and Site Stabilization System.

[0008] In view of the foregoing, it would be desirable to have a device, system and method for providing effective and minimally invasive bone reinforcement to treat fractured or diseased bones.

15

SUMMARY OF THE INVENTION

[0009] One embodiment of the present invention provides a low weight to volume mechanical support for fixation, reinforcement and reconstruction of bone or other regions of the musculo-skeletal system. The method of delivery of the device is another aspect of the invention. The method of delivery of the device in accordance with the various embodiments of the invention reduces the trauma created during surgery, decreasing the risks associated with infection and thereby decreasing the recuperation time of the patient. The framework may in one embodiment include an expandable and contractable structure to permit re-placement and removal of the reinforcement structure or framework.

[0010] In accordance with the various embodiments of the present invention, the mechanical supporting framework or device may be made from a variety of materials such as metal, composite, plastic or amorphous materials, which include, but are not limited to, steel, stainless steel, cobalt chromium plated steel, titanium, nickel titanium alloy (nitinol), super elastic alloy, and polymethylmethacrylate (PMMA). The supporting framework or device may also include other polymeric materials that are biocompatible and provide mechanical strength, that include polymeric material with ability to carry and delivery therapeutic agents, that include bioabsorbable properties, as well as composite materials and composite materials of titanium and polyetheretherketone (PEEK™), composite materials of polymers and minerals, composite materials of polymers and glass fibers, composite materials of metal, polymer, and minerals.

[0011] Within the scope of the present invention, each of the aforementioned types of device may further be coated with proteins from synthetic or animal source, or include collagen coated structures, and radioactive or brachytherapy materials. Furthermore, the construction of the supporting framework or device may include radio-opaque markers or components that assist in their location during and after placement in the bone or other region of the musculo-skeletal systems.

[0012] Further, the reinforcement device may, in one embodiment, be osteo incorporating, such that the reinforcement device may be integrated into the bone.

[0013] In a further embodiment, there is provided a low weight to volume mechanical supporting framework or device deployed in conjunction with other suitable materials to form a composite structure in-situ. Examples of

such suitable materials may include, but are not limited to, bone cement, high density polyethylene, Kapton®, polyetheretherketone (PEEK™), and other engineering polymers.

[0014] Once deployed, the supporting framework or device may be electrically, thermally, or mechanically passive or active at the deployed site within the body. Thus, for example, where the supporting framework or device includes nitinol, the shape of the device may be dynamically modified using thermal, electrical or mechanical manipulation. For example, the nitinol device or supporting framework may be expanded or contracted once deployed, to move the bone or other region of the musculo-skeletal system or area of the anatomy by using one or more of thermal, electrical or mechanical approaches.

[0015] An embodiment of the invention includes a lockable bone fixation device comprising: a sleeve adapted to be positioned in a space formed in a bone; a guidewire adapted to guide movement of the sleeve; and an actuatable lock adapted to secure the sleeve within the space of the bone from an end of the device. The sleeve can be configured to be flexible, have apertures, be expandable and/or be bioabsorbable. Further, the sleeve can be removable from the space within the bone, if desired. The device is adapted and configured to access the space within the bone through an access aperture formed in a bony protuberance of the bone. In a further embodiment, a second sleeve can be provided that is adapted to fit within the first sleeve. Where a second sleeve is provided, the second sleeve can be used to control a retractable interdigitation process or teeth. The sleeve can accomplish this control by being configured with slots or apertures along its length through which the teeth extend when the slots are positioned over the teeth. Once the teeth are exposed through the second sleeve, the teeth or interdigitation process are adapted to engage bone. In still another embodiment of the invention, a cantilever adapted to retain the lockable bone fixation device within the space. Another embodiment of the invention includes adapting the sleeve to be expanded and collapsed within the space by a user. In still another embodiment, the device is adapted to be delivered by a catheter. In yet another embodiment, the distal end of the device is adapted to provide a blunt obturator surface. In still another embodiment of the device, the distal end of the device is configured to provide a guiding tip. In yet another embodiment of the device, the device is adapted to receive external stimulation to provide therapy to the bone. In still another embodiment of the device, the device is adapted to receive composite material when the device is disposed within a lumen or opening within the body or bone.

[0016] In another embodiment of the invention, a bone fixation device is provided that comprises: a first sleeve having a retractable interdigitation process at a location along its length adapted to engage a bone; and a second sleeve sized adapted to activate the interdigitation process of the first sleeve. The bone fixation device can be configured to provide a flexible first or second sleeve. In another embodiment, the first or second sleeve can be provided with apertures, can be expandable and/or can be fashioned from bioabsorbable materials. In still other embodiments, either of the first or second sleeve can be removable. In yet another embodiment of the invention, the first and second sleeve are adapted to access a space of the bone through an access aperture formed in a bony protuberance of the bone. In still other embodiments, the second sleeve can be configured to provide a retractable interdigitation process or teeth. Apertures can also be provided in some embodiments, along the length of the device through which the retractable interdigitation process engages the bone. The apertures can, in some embodiments, be on the second sleeve. In some embodiments, the retractable interdigitation process can be adapted to engage bone when actuated by the second sleeve. In still other embodiments, a cantilever retains the bone fixation device within a space of the bone. Further, a first or second sleeve is adapted in some embodiments to be expanded and collapsed within the bone by a user. In still other embodiments, the device is adapted to be delivered by a catheter or catheter-like device. The catheter may be a single or multilumen tube. The catheter may employ methods or apparatus that power or shape the device for introduction and placement. The distal end of the device in some embodiments is

adapted to provide a blunt obdurator surface. Additionally, the distal end of the device can have a guiding tip. In still other embodiments, the device is adapted to deliver therapeutic stimulation to the bone. In other embodiments the device is adapted to deliver therapeutic stimulation to the biological processes within bone. These processes are cellular in nature and provide therapeutic remedies to the health of the patient not related to bone. One such
5 therapeutic application is anemia or hemophilia. In yet other embodiments, the device is adapted to receive composite material when the device is disposed within a lumen.

[0017] In still another embodiment of the invention, a method of repairing a bone fracture is disclosed that comprises: accessing a fracture along a length of a bone through a bony protuberance at an access point at an end of a bone; advancing a bone fixation device into a space through the access point at the end of the bone; bending a
10 portion of the bone fixation device along its length to traverse the fracture; and locking the bone fixation device into place within the space of the bone. The method can also include the step of advancing an obdurator through the bony protuberance and across the fracture prior to advancing the bone fixation device into the space. In yet another embodiment of the method, the step of anchoring the bone fixation device within the space can be included. In still another embodiment of the method, a first sleeve and a second sleeve of the bone fixation device can be engaged to
15 expand an interdigitation process into the bone.

[0018] An aspect of the invention discloses a removable bone fixation device that has a single end of introduction, deployment, and remote actuation wherein a bone fixation device stabilizes bone. The bone fixation device is adapted to provide a single end in one area or location where the device initiates interaction with bone. The device can be deployed such that the device interacts with bone. Remote actuation activates, deactivates, reduces bone,
20 displaces bone, locks, places, removes, grips, stiffens device, compresses, adjusts, axially adjusts, torsionally adjusts, angularly adjusts, and releases the devices during its interaction with bone. A removable extractor can be provided in some embodiments of the device to enable the device to be placed and extracted by deployment and remote actuation from a single end. The device of the invention can be adapted and configured to provide at least one sleeve. Further the sleeve can be configured to be flexible in all angles and directions. The flexibility provided
25 is in selective planes and angles in the Cartesian, polar, or cylindrical coordinate systems. Further, in some embodiments, the sleeve is configured to have a remote actuation at a single end. Additionally, the sleeve can be configured to have apertures. In still further embodiments, the sleeve is configured to minimize boney in-growth. Another aspect of the invention includes a bone fixation device in that has mechanical geometry that interacts with bone by a change in the size of at least one dimension of a Cartesian, polar, or spherical coordinate system. Further,
30 in some embodiments, bioabsorbable materials can be used in conjunction with the devices, for example by providing specific subcomponents of the device configured from bioabsorbable materials. A second sleeve can be provided in some embodiments where the second sleeve is removable, has deployment, remote actuation, and a single end. Where a second sleeve is employed, the second sleeve can be adapted to provide a deployable interdigitation process or to provide an aperture along its length through which the deployable interdigitation
35 process is adapted to engage bone. In some embodiments, the deployable interdigitation process is further adapted to engage bone when actuated by the sleeve. In some embodiments, the bone fixation device further comprises a cantilever adapted to retain the deployable bone fixation device within the space. The sleeve can further be adapted to be expanded and collapsed within the space by a user. One end of the device can be configured to provide a blunt obdurator surface adapted to advance into the bone. A guiding tip may also be provided that facilitates guiding the
40 device through the bone. Further, the deployable bone fixation device can be adapted to receive external stimulation to provide therapy to the bone. The device can further be adapted to provide an integral stimulator which provides

therapy to the bone. In still other embodiments, the device can be adapted to receive deliver therapeutic stimulation to the bone.

[0019] The invention also includes a method for repairing a bone fracture comprising: accessing a fracture along a length of bone through a bony protuberance at an entry portal; introducing the bone fixation device into the medullary canal through the entry portal; bending the bone fixation device along its length to advance into the medullary space in the bone; bending the bone fixation device along its length to traverse the fracture site; placing a flexible elbow in the medullary canal at the fracture site; stiffening the bone fixation device; locking the bone fixation device to the bone; reducing the fracture with the bone fixation device in place in the medullary canal; locking the flexible elbow to achieve intramedullary reduction of the fracture. The method can further include the step of introducing a guide wire into the medullary space through a bony protuberance at an entry portal. Additionally, the guidewire can be reamed through the bony protuberance at an entry portal. The location of the reamed bony canal can be determined by the fracture anatomy and bone anatomy. In some embodiments of the method, a sleeve can be advanced along the bone fixation device. In such embodiments, the sleeve can function to unlock the spikes from the fixation device. Once the spikes are unlocked from the fixation device, the spikes then fix the device to the bone. Locking butterfly rings can also be employed to lock the device to the bone. The butterfly rings can be locked to the fixation device in some embodiments. Additionally, the rings can be threaded over the device. In other embodiments, a guide jig guides screws through the butterfly rings. Further self tapping screws lock the butterfly rings to the bone and bone fixation device. A set screw can also be used to lock the device at the fracture site. The device can also be stiffened. In performing the method of the invention, fracture fragments can be reduced.

[0020] Yet another aspect of the invention includes a barb-screw comprising a sleeve, one or more teeth deployable at a distal end of the sleeve, and an actuable lock adapted to secure the sleeve within the space of the bone from an end of the device.

[0021] These and other features and advantages of the present invention will be understood upon consideration of the following detailed description of the invention and the accompanying drawings.

INCORPORATION BY REFERENCE

[0022] All publications, patents and patent applications mentioned in this specification are herein incorporated by reference in their entirety to the same extent as if each individual publication, patent or patent application was specifically and individually indicated to be incorporated by reference.

BRIEF DESCRIPTION OF THE DRAWINGS

[0023] The novel features of the invention are set forth with particularity in the appended claims. A better understanding of the features and advantages of the present invention will be obtained by reference to the following detailed description that sets forth illustrative embodiments, in which the principles of the invention are utilized, and the accompanying drawings of which:

[0024] FIGS. 1A-B depict an actuable bone fixation device in a pre-deployed and deployed condition;

[0025] FIGS. 2A-C depict views of a bearing segment suitable for use in an actuable bone fixation device;

[0026] FIGS. 3A-C depict views of a bearing segment suitable for use in an actuable bone fixation device;

[0027] FIG. 4A-F depict a retention segment suitable for use in an actuable bone fixation device;

[0028] FIGS. 5A-B illustrate an external actuator suitable for use in an actuable bone fixation device;

[0029] FIGS. 6A-D illustrate an alternate embodiment of an external actuator suitable for use in an actuable bone fixation device;

- [0030] FIGS. 7A-C illustrate a pin suitable for use in an actuable bone fixation device;
- [0031] FIGS. 8A-D illustrate a configuration of an outer sleeve suitable for use in a bone fixation device;
- [0032] FIGS. 9A-D illustrate an alternate configuration of an outer sleeve suitable for use in a bone fixation device;
- [0033] FIGS. 10A-B illustrate another embodiment of an actuable bone fixation device in a pre-deployed and
5 deployed condition;
- [0034] FIGS. 11A-B illustrate yet another embodiment of an actuable bone fixation device in a pre-deployed condition, and deployed condition;
- [0035] FIGS. 12A-C illustrate the proximal end of an embodiment of an actuable bone fixation device shown in FIG. 11, including component parts;
- 10 [0036] FIG. 13A-B illustrates a universal joint, or u-joint, suitable for use with the devices of the invention;
- [0037] FIG. 14 illustrates a flexible link assembly suitable for use with the devices of the invention;
- [0038] FIGS. 15A-B illustrate a configuration of a distal assembly;
- [0039] FIGS. 16A-C illustrate a metaphyseal shaft;
- [0040] FIG. 17 illustrates a metaphyseal locking flange;
- 15 [0041] FIG. 18 illustrates a metaphyseal locking screw;
- [0042] FIG. 19 illustrates a metaphyseal set screw;
- [0043] FIGS. 20A-B illustrate an alternative embodiment of a u-joint suitable for use with the devices of the invention;
- [0044] FIGS. 21A-B illustrate an alternative embodiment of a flexible link assembly suitable for use with the
20 invention;
- [0045] FIGS. 22A-B illustrate a male pin suitable for use with a flexible link assembly;
- [0046] FIGS. 23A-B illustrate an alternative embodiment of a flexible link assembly;
- [0047] FIGS. 24A-B illustrate a sheath of a flexible link assembly;
- [0048] FIGS. 25A-B illustrate an obdurator capture pin;
- 25 [0049] FIGS. 26A-B illustrate a flexible link male pin;
- [0050] FIG. 27 illustrates a flexible locking pin;
- [0051] FIGS. 28A-B illustrates a flexible link locking pin;
- [0052] FIG. 29 illustrates an obdurator capture pin;
- [0053] FIGS. 30A-D illustrate a diaphyseal anchor;
- 30 [0054] FIGS. 31A-B illustrated a removal tool;
- [0055] FIG. 32 illustrates a device of the invention deployed in a radius bone;
- [0056] FIG. 33 illustrates another actuable bone fixation device according to the invention;
- [0057] FIG. 34 illustrates a cross-section of a diaphyseal to metaphyseal section in a bone;
- [0058] FIG. 35 illustrates a surgical access point into the intramedullary space;
- 35 [0059] FIG. 36 illustrates a device of the invention positioned within an access lumen;
- [0060] FIG. 37 illustrates An actuable barb-screw according to the invention;
- [0061] FIG. 38 illustrates a deployed barb-screw;
- [0062] FIG. 39 illustrates a side view of a barb-screw;
- [0063] FIG. 40 depicts a two part barb-screw according to the invention;
- 40 [0064] FIG. 41 illustrates a deployed actuable bone fixation device deployed with transversely positioned actuable barb-screws;
- [0065] FIG. 42 illustrates a deployed actuable bone fixation device deployed with radially positioned barb-screws;

- [0066] FIG. 43 illustrates a deployed actuatable bone fixation device deployed with mixed orientation barb-screws;
- [0067] FIG. 44 illustrates a femur of a patient with an indication of access points;
- [0068] FIG. 45 illustrates a femur of a patient with a drill accessing the shaft;
- [0069] FIG. 46 illustrates a femur with a coring reamer boring a hole in the shaft of the bone;
- 5 [0070] FIG. 47 illustrates a lavage system used with a bidirectional flow path to remove debris from within the bone;
- [0071] FIG. 48 illustrates an actuatable bone fixation device within a bone;
- [0072] FIG. 49 illustrates the device of FIG. 48 from a perspective view;
- [0073] FIG. 50 illustrates a cross-sectional view of the device of FIG. 48;
- 10 [0074] FIG. 51 illustrates deployment of a cross-bone stabilization device;
- [0075] FIG. 52 illustrates positioning of a reinforcement device at a desired location;
- [0076] FIGS. 53A-E illustrate implantation of a plurality of structural reinforcement devices within a bone;
- [0077] FIG. 54 illustrates an expandable device;
- [0078] FIG. 55 illustrates a device coring into the upper trochanter region of the bone; and
- 15 [0079] FIG. 56 illustrates delivery of a device into the upper trochanter.

DETAILED DESCRIPTION OF THE INVENTION

[0080] By way of background and to provide context for the invention, it may be useful to understand that bone is often described as a specialized connective tissue that serves three major functions anatomically. First, bone provides a mechanical function by providing structure and muscular attachment for movement. Second, bone

20 provides a metabolic function by providing a reserve for calcium and phosphate. Finally, bone provides a protective function by enclosing bone marrow and vital organs. Bones can be categorized as long bones (*e.g.* radius, femur, tibia and humerus) and flat bones (*e.g.* skull, scapula and mandible). Each bone type has a different embryological template. Further each bone type contains cortical and trabecular bone in varying proportions.

[0081] Cortical bone (compact) forms the shaft, or diaphysis, of long bones and the outer shell of flat bones. The

25 cortical bone provides the main mechanical and protective function. The trabecular bone (cancellous) is found at the end of the long bones, or the epiphysis, and inside the cortex of flat bones. The trabecular bone consists of a network of interconnecting trabecular plates and rods and is the major site of bone remodeling and resorption for mineral homeostasis. During development, the zone of growth between the epiphysis and diaphysis is the metaphysis.

Finally, woven bone, which lacks the organized structure of cortical or cancellous bone, is the first bone laid down

30 during fracture repair. Once a bone is fractured, the bone segments are positioned in proximity to each other in a manner that enables woven bone to be laid down on the surface of the fracture. This description of anatomy and physiology is provided in order to facilitate an understanding of the invention. Persons of skill in the art, will appreciate that the scope and nature of the invention is not limited by the anatomy discussion provided. Further, it will be appreciated there can be variations in anatomical characteristics of an individual, as a result of a variety of

35 factors, which are not described herein.

[0082] FIGS. 1A-B depict an actuatable bone fixation device *100* in a pre-deployed and deployed condition. The bone fixation device *100* has a proximal end *102* and a distal end *104*. The proximal end and distal end, as used in this context, refers to the position of an end of the device relative to the remainder of the device or the opposing end as it appears in the drawing. The proximal end can be used to refer to the end manipulated by the user or physician.

40 The proximal end may be configured such that a portion thereof remains outside the bone. Alternatively, the proximal end is configured such that it does not remain outside the bone. The distal end, thus, can be used to refer to

the end of the device that is inserted and advanced within the bone and is furthest away from the physician. As will be appreciated by those skilled in the art, the use of proximal and distal could change in another context, e.g. the anatomical context.

[0083] The bone fixation device is suitable for reinforcing and/or repairing a bone. Further, the bone fixation device is adapted to be anatomically conformable. Still further, the bone fixation device is adapted to cross a fracture. Once actuated, the device anchors into a portion of the bone and then draws the bone segments effected by the fracture together. Kirshner or K-wires can also be used where there are additional fracture fragments.

[0084] The bone fixation device *100* has an actuator *110* at a proximal end *102*. The actuator *110* enables a user to control the movement, insertion, deployment, removal, and operation of the device. The actuator *110* has internal threads (not shown) that engage threads *112* formed on a shaft or guidewire *120*. The shaft *120* extends through a proximal bearing segment *132*, intermediate bearing segments *134* and terminates in a distal bearing segment *136*. Interposed between the bearing segments on shaft *120* are anchoring segments *140*. The bearing segments control translation and bending of the device *100*. In some embodiments, the bearing segments can withstand, for example, up to 800 lb of axial loading force. The anchoring segments *140* have radially extending teeth or grippers *142* that deploy upon actuation of the device *100* to interlock the device with the bone, as explained below.

[0085] The outer sheath *150* is a component of the device *100*. The outer sheath surrounds a portion of the exposed length of the device *100*. Slots *152* are provided along its length that enable the teeth *142* of the anchoring segment *140* to extend radially away from the external surface of the device *100* and into the bone when the device is actuated. The slots *152* can also be adapted to promote or control bending of the device, as will be appreciated below. In FIG. 1A, the device is depicted in a pre-deployed state, *i.e.*, prior to deploying the anchoring teeth. Prior to deployment, the teeth *142* of the anchoring segment *140* are positioned within the sleeve *150*. When the device is actuated, as illustrated in FIG. 1B, the actuator *110* is rotated such that the drive shaft *120* is drawn into the actuator *110*. Drawing the drive shaft *120* into the actuator pulls the bearing segments and anchoring segments proximally with respect to the sleeve *150*, thus positioning the anchoring segments *140* and teeth *142* adjacent the slots *152*. In this embodiment, teeth *142* are formed from an expansible material such as a shape memory alloy, such as the nitinol, to restore to an unconstrained position upon actuation of the device. This actuation results in movement of the teeth radially away from the shaft of the device. The teeth are retractable as needed or desired by reversing the direction of rotation of actuator *110*, thereby pushing the bearing segments and anchoring segments distally with respect to the sleeve. The slope and angle of teeth *142* help the edge of slots *152* cam teeth *142* inward to the position shown in FIG. 1A.

[0086] FIGS. 2A-C depict views of a bearing segment *230* (*see also*, bearing segment *136* in FIG. 1) suitable for use in an actuable bone fixation device at, for example, the distal end. As illustrated in FIGS. 2A-B, the bearing segment, as depicted, has a substantially spherical dimension, with a lumen *232* positioned therethrough for receiving a drive shaft or guide wire, such as shown above. The lumen, as depicted, has a first circumference at a first end *233* and a second circumference *233A* at a second end. First circumference, *233*, is a distal circumference (as oriented during implantation) adapted and configured to accommodate a swaged or discontinuous intermediate interfering locking feature. The swaged feature prevents proximal to distal translation of the distal bearing segment, *136* of the device, thereby retaining all proximal internal components of the device *100*. FIG. 2C illustrates the bearing segment in cross-section further illustrating a substantially circular external shape with a first diameter *233* corresponding to the first circumference and a second diameter *233A* corresponding to the second circumference. When positioned distally, the bearing segment can function as a blunt obturator adapted to facilitate penetration of bone.

[0087] FIGS. 3A-C depict views of another bearing segment 330 suitable for use in an actuable bone fixation device. The bearing segment, as depicted, has a substantially spherical dimension, with a lumen 332 positioned therethrough. The lumen depicted in this embodiment has a constant, or substantially constant, diameter along its length suitable for receiving the drive shaft or guide wire 120 of a device 100. Additional detents 336, indentations or lumens can be provided. The detents 336 can be configured on the surface such that the detents would be positioned on opposing sides of the bearing segment 330, as depicted, without crossing or penetrating the lumen 332 formed to receive the drive shaft. The detents can be formed to receive pins, or be formed to provide an additional lumen through the bearing segment, or compressed or swaged onto the drive shaft or can be configured in any other suitable configuration. As depicted in FIG. 3C, the lumen 332 traverses the bearing segment 330, while the detents are formed on opposing sides and oriented 90° from an axis around which the lumen 332 is positioned. Other orientations and configurations are possible without departing from the scope of the invention.

[0088] Turning now to FIG. 4A-F, a retention or anchoring segment suitable for use in an actuable bone fixation device of the invention is depicted. FIGS. 4A-B illustrate perspective views of the anchoring segment 440 prior to deployment of the teeth 442. The anchoring segment 440 is adapted to fit within the sleeve 150 (FIGS. 1A-B) and to have a central lumen 444 through which a drive shaft 120 (FIGS. 1A-B) or guidewire can be positioned. A portion of the exterior surface of the anchoring segment 440 can be configured to form one or more teeth 442. The teeth 442 can be formed integrally with the anchoring segment 440. The teeth 442 and/or the anchoring segment 440 can be formed of any suitable material, including nitinol. Where a shape memory alloy is used, the teeth 442 can be configured to assume a pre-determined shape when the teeth are not constrained within the sleeve, as shown in FIG. 4E. Additional slots 446 can be provided along the length of the anchoring segment. The slots 446 can be used to engage, for example, pins extending from the outer sleeve to control rotational movement of the anchoring segment within the sleeve. Turning to FIG. 4D-E, the teeth 442 are bent away from the exterior surface of the anchoring segment 440. FIG. 4F illustrates a cross-section of the anchoring device depicted herein wherein the teeth 442 are deflected away from the sides of the anchoring segment. The teeth may emanate from alternate surfaces and cross at the centerline of the lumen 444, thereby creating a longer cantilever segment.

[0089] FIGS. 5A-B illustrate an actuator suitable for use in an actuable bone fixation device. The actuator 510 has a cylindrical body 512 with a threaded female interior 514 or any other configuration capable of actuation for exposure of the teeth 442. A flange 516 is provided that can be used to anchor the device against a surface, such as bone. Additionally, the top surface of the flange 516 can be adapted to enable control of the actuator 510 and the drive shaft 120 shown in FIG. 1. One or more apertures 518 can be provided to engage, for example, screws. The apertures 518 can provide a mechanism to anchor the device to the surface of the bone (as opposed to just abutting the surface of the bone). The outer circumferential surface 517 of the flange 516 can further be provided with markings 513 or adapted to provide an indicator to facilitate deploying the teeth by providing an indication to the user of the relative position of the teeth relative to the slots on the sheath and relative to the plane within the bone. Thereby establishing the direction of flexibility of the device while in bone. Additionally, a central aperture 519 which forms a keyway can be provided for engaging an additional tool or device to control the deployment of the bone fixation device. For example, the central aperture 519 can be in the shape of a slit to accept, for example, the head of a flat head screw driver.

[0090] FIGS. 6A-D illustrate an alternate embodiment of an actuator 610 suitable for use in an actuable bone fixation device. In the embodiment depicted in FIGS. 6A-B, the central aperture 619 is adapted to engage a tool with a threaded end. FIGS. 6C-D illustrate a top view and side view of the actuator 610. Similar to the device depicted in FIG. 5, actuator 610 has a cylindrical body 612 with a threaded female interior 614 or any other configuration

capable of actuation for exposure of the teeth **642**. A flange **616** is provided that can be used to anchor the device against a surface, such as bone. Additionally, the top surface of the flange **616** can be adapted to enable control of the actuator **610** and the drive shaft **120** (shown in FIG. 1). One or more apertures **618** can be provided to engage, for example, screws. The apertures **618** can provide a mechanism to anchor the device to the surface of the bone (as opposed to abutting the surface of the bone). Additionally, a central aperture **619** which forms a keyway can be provided for engaging an additional tool or device to control the deployment of the bone fixation device. For example, the central aperture **619** can be in the shape of a slit to accept, for example, the head of a flat head screw driver.

[0091] FIGS. 7A-C illustrate a pin **760** suitable for use in an actuable bone fixation device to prevent rotational movement of the anchoring segment relative to the sheath. The pin **760** has a head **762** adapted to engage an interior portion of the sleeve and a neck **764** to fit within the slot in the anchoring mechanism.

[0092] FIGS. 8A-D illustrate a configuration of an outer sleeve **850** suitable for use in a bone fixation device. In the configuration depicted, c-cuts **852** and **852A** are used along the length of the sheath **850**. The use of c-cuts provides flexibility in the plane perpendicular to the page described along the central axis of the sheath. As depicted, two types of c-cuts can be used, as opposed to a single type of c-cut shown in FIG. 1. At the distal end **804**, c-cuts are paired at a location on the length and extend, from opposite sides, toward a central plane of the sheath. The c-cuts enable the teeth of the device, **442** to extend outward, away from the central shaft, into the bone. Toward a proximal end **802**, c-cuts are shorter in height and extend across a central plane of the sheath (e.g. a plane in which the guidewire or control rod running through the center of the device would lie). Thus, from one side view, the cuts have an s shape profile, as shown in FIG. 8C. The distal cuts provide flexibility as well as enabling the teeth, **442** to extend through the cuts when the device is actuated. The proximal cuts also provide flexibility, but provide a different degree of flexibility as a result of the orientation and design of the cuts. As depicted in FIG. 8D, which is a cross-section taken along the lines D-D of FIG. 8C, the proximal set of c-cuts give the appearance that the sheath is segmented, while the distal cuts appear as opposing c-cuts. By this method the planar preferential flexibility is established in a representative, but not limiting, embodiment of the device. As will be appreciated by those skilled in the art, more than two-types of c-cuts can be used without departing from the scope of the invention.

[0093] FIGS. 9A-D illustrate yet another alternate configuration of an outer sleeve suitable for use in a bone fixation device. In the device depicted, instead of providing the deep c-cuts on the proximal set of cuts depicted in FIG. 8, spiral cuts **954** are provided. The spiral cut provides flexibility in all directions and in all planes. As depicted, c-cuts **952** are used along at least a portion of the length of the sheath **950**

[0094] Turning now to FIGS. 10A-B another embodiment of an actuable bone fixation device **1000** in a pre-deployed and deployed condition is depicted. This embodiment uses an outer sheath **1050** with two types of c-cuts, as illustrated and described with respect to FIG. 8 above. C-cuts **1052** are used along the length of the sheath **1050**. As described above, the use of c-cuts provides flexibility in the plane perpendicular to the page along the central axis of the sheath. As with FIG. 8, two types (or more) of c-cuts can be used, as opposed to a single type of c-cut shown in FIG. 1. At the distal end **1004**, c-cuts are paired at a location on the length and extend, from opposite sides, toward a central plane of the sheath. The c-cuts enable the teeth of the device, **1042** to extend outward, away from the central shaft, into the bone. Toward a proximal end **1002**, c-cuts are shorter in height and extend across a central plane of the sheath (e.g. a plane in which the guidewire or control rod running through the center of the device would lie). Thus, from one side view, the cuts have an s shape profile, as shown in FIG. 10B. The distal cuts provide flexibility as well as enabling the teeth, **1042** to extend through the cuts when the device is actuated. The proximal

cuts also provide flexibility, but provide a different degree of flexibility as a result of the orientation and design of the cuts.

[0095] FIGS. 11A-B illustrate another embodiment of an actuable bone fixation device *1100* in a pre-deployed and deployed condition. The device *1100* has a proximal end *1102* and a distal end *1104*. Section *1106* is the part of the device that is placed within the metaphyseal section of bone. Section *1106* can also be placed in other types of bone including epiphyseal and diaphyseal. Section *1108* is the section of the device that sits within diaphyseal bone. The proximal end assembly *1110* implements the interface to the metaphyseal bone. Also visible in FIG. 11 are the metaphyseal locking flange *1112* and metaphyseal locking screw *1114*. Section *1130* is the universal joint that provides articulation and alignment. Section *1132* is the universal joint sheath. The flexible link *1140* provides flexibility in the lateral medial plane. Section *1142* is the flexible link sheath. Section *1150* is the outer sheath of the device with slot *1152*. Section *1160* is the distal end assembly. Section *1162* is the obdurator and Section *1164* is the distal end flexible link male pin. Section *1170* is the diaphyseal anchor with teeth *1172*. At the distal end *1104* and the proximal end *1102* the flexible link sections *1140* can be adapted to engage diaphyseal anchoring segments *1170*. The anchoring segments *1170*, as depicted, fit snugly around the flexible link sections *1130*. Each diaphyseal anchoring segment *1170* can have one or more teeth or grippers *1172* that are adapted to enable the teeth to interdigitate within bone when deployed. The teeth *1172* can be configured to enable the teeth to deflect away from the anchoring segment *1170* and into the bone. The teeth *1172* extend at an angle to enable greatest anchoring with the shortest length. As the teeth *1172* dig into the bone, the teeth oppose torque and oppose proximal and rotational movement. The outer sheath *1150* is positioned to maintain the teeth *1172* adjacent the sections of the device until the slots *1152* are adjacent the teeth *1172*, at which point the teeth *1172* then can engage the bone. The distal end *1104* can be adapted to form an obdurator *1162* to maintain and/or create the space within the bone through which the device penetrates. As illustrated in FIG. 11B, the teeth *1172* flare away from the device *1100* when adjacent the slots *1152*.

[0096] FIGS. 12A-C illustrates an embodiment of the proximal end assembly *1200*. This assembly consists of the metaphyseal shaft *1210*, one or more metaphyseal locking flanges *1220*, the metaphyseal locking screw *1230* and the metaphyseal set screw *1240*. The metaphyseal set screw *1900* is depicted in additional detail in FIG. 19. The metaphyseal shaft *1210* translates the fixative forces through the universal joint *1130* to the diaphyseal section *1108*. The metaphyseal locking flange *1220* bears on the metaphyseal shaft *1210*. The metaphyseal locking screw *1230* threads through the metaphyseal locking flange *1220*, cuts into and retains the metaphyseal locking flange *1220* to the metaphyseal shaft *1210*, and secures bone, cartilage, animal tissue to the metaphyseal shaft *1210*.

[0097] FIGS. 13A-B illustrates an embodiment of a universal joint *1300*. This embodiment consists of a sheath *1310*, (sheath *2200* is illustrated in additional detail FIG. 20) and a diaphyseal pin *1320*, (diaphyseal pin *2100* illustrated in additional detail FIG. 21). The universal joint *1300* allows the metaphysis section *1106* to have hemispherical rotation relative to the axis of the diaphysis section *1108*. The diaphyseal pin *1320* connects the universal joint *1300* to the first proximal flexible link *1400*.

[0098] FIG. 14 illustrates an embodiment of the flexible link assembly *1400*. The flexible link assembly *1400* is comprised of the female pin *1420*, (female pin *2300* is illustrated in additional detail in FIGS. 23A-B), male pin *1410*, (male pin *2200* is illustrated in additional detail in FIGS. 22A-B), and the sheath *1430* (sheath *2400* is illustrated in additional detail in FIGS. 24A-B). The male flexible link pin *2200* has bearing surface *2214* that is captured within and slides axially and angularly within the sheath *2400*. The female flexible link pin bearing surface *2312* interfaces to the sheath bearing surface *2430*. The bores *2218* in the male and *2316* in the female pins accept the flexible link locking pin *2800*. The shape of the male flexible link pin *2200* and female flexible link pin *2300* allow medial to

lateral flexibility prior to placement of the flexible link locking pin **2800**. The bore **2218** through the male flexible link **2200** accepts the flexible link locking pin **2800**. Upon insertion and proximal to distal actuation of the flexible link locking pin **2800**, the male **2200** and female **2300** flexible link pins are thereby translated such that a locking force is imparted between the sheath **2400** and female flexible link pin. This locking system imparts a resistive force to motion in the medial-lateral plane of the diaphysis and metaphysis. The bore **2218** through the male flexible link pin **2200** is shaped such that there is clearance up to 180 spherical degrees of angulation of the entire assembly, though 30 to 45 degrees of angulation is typical. FIG. 30 show an embodiment of the diaphyseal anchor **3000** which comprise teeth **3010** and an annular section **3020**. The diaphyseal anchor slips over and rigidly interferes with the shaft **2400** of the flexible link **1400**. The teeth **3010** of the anchoring segment **3000** are designed for specific and maximal fixation to diaphyseal, metaphyseal and epiphyseal bone. The angulation coupled with rotation and shape of the teeth **3010** can take the form of pins, rods, rectangles, frustums of cones, pyramids or other polygons. The number of teeth **3010** is typically two but not limited. In the embodiment shown the teeth **3010** are oriented to prevent axial and rotational translation of the device when deployed within bone. Sets of teeth **3010** can be juxtaposed to resist distal to proximal and proximal to distal axial translation. It is known in the art that the intramedullary space is inconsistent in internal diameter, the diaphyseal anchors **3000** can be specifically designed to accommodate these inconsistencies in internal diameter by changing the shape of the teeth **3010**.

[0099] FIGS. 15A-B illustrate an embodiment of the distal end assembly **1500**. The distal end assembly **1500** is comprised of the obturator or distal bearing surface **1510** (distal bearing surface **2500** is illustrated in additional detail in FIG. 25), distal end flexible link male pin **1520** (flexible link male pin **2600** is illustrated in additional detail in FIG. 26), obturator captive pin **1530** (obturator captive pin **2700** is illustrated in additional detail in FIG. 27), flexible link locking pin **1540** (flexible link locking pin **2800** is illustrated in additional detail in FIGS. 28A-B). The distal bearing surface **2500** is connected to the flexible locking pin **2800** and outer sheath **2900** in FIG. 29. The obturator captive pin **2700** limits the range of movement of the outer sheath **2900** relative to the teeth **3010** of the anchor segments **3000**.

[00100] FIGS. 16A-C illustrate an embodiment of a metaphyseal shaft **1600**. The bearing surface **1630** of this embodiment interfaces to the metaphyseal locking flange **1700**, it can be smooth, serrated, knurled, splined, keyed, polygonal or elliptical. The connective surface **1610** connects the metaphyseal shaft **1600** to the universal joint **1300** of FIG. 13. The metaphyseal shaft **1600** provides means to translate fixative forces from the metaphyseal section **1106** of FIG. 11 to the universal joint **1300**. Within the metaphyseal shaft **1600** is a means to lock the proximal assembly **1200** of FIG. 12 to the diaphyseal section **1108** of FIG. 11 through the universal joint **1300** and prevent 360 spherical degrees of movement perpendicular and parallel to the longitudinal axis of the diaphysis.

[00101] FIG. 17 illustrates an alternate embodiment of a metaphyseal locking flange **1700**. Screw hole **1710** accepts the metaphyseal locking screw **1800** of FIG. 18. Opening **1716** accepts the metaphyseal shaft **1600** of FIG. 16. Windows **1712** exposes the metaphyseal shaft **1600** and accepts the metaphyseal locking screw threads **1810** and **1820** of FIG. 18 thereby translating forces through metaphyseal locking screw **1800** to metaphyseal shaft **1600** and locking metaphyseal locking flange **1700** to metaphyseal shaft **1600**. Opening **1716** allows 360 degree rotation of metaphyseal locking flange **1700** about the metaphyseal shaft **1600**. Angle **1720** as described by a line perpendicular to the axis of the shaft and the surface perpendicular to the axis of the screw hole **1710** can be 0 to 180 degrees. This embodiment is meant to be descriptive but not limiting. The function of the metaphyseal locking flange **1700**, metaphyseal locking screw **1800** and metaphyseal shaft **1600** allow for translation of the metaphyseal fixation to diaphyseal fixation that is infinitely adjustable in 360 spherical degrees in the axes parallel and perpendicular to the axis of the diaphysis.

[00102] FIG. 18 illustrates an embodiment of the metaphyseal locking screw 1800. The threads 1810 and 1820 of the metaphyseal locking screw can be of a single pitch root in diameter or multiple pitch, root and diameters. The threads 1820 and 1810 can take on a variety of features such as smooth, serrated, knurled, splined, keyed, polygonal or elliptical. The metaphyseal locking screw 1800 can be cannulated through its axis to allow deployment by guide wire.

[00103] FIG. 31 illustrates an embodiment of a deployment/removal tool 3100 for use with the implantable devices of the invention. The tool 3100 consists of a handle 3110, a flexible shaft 3120 and threaded socket 3130.

[00104] FIG. 32 illustrate a radius bone 3201 from an arm having a fracture 3202, a radius bone with a device 3203 implanted therein, and a cross-sectional view of a portion of a radius bone with a device implanted therein. While

FIG. 32 shows the location of a fracture 3202 in the radius bone 3201, it will be appreciated that the present invention and the various embodiments thereof can be applied to fractures of varying degrees and at any location within a bone structure. Furthermore, it will be appreciated those skilled in the art that the various embodiments of the present invention can be applied to any bone in an animal including human, and the nature of the fracture may be single, compound or fragmented fractures due to external trauma, or due to bone related disease such as

osteoporosis. As depicted in FIG. 32, the device 3203, accesses the bone at a bony protuberance 3204 through the trabecular bone. The device 3203 advances through the cortical bone 3205 and, as pictured, is positioned within the intramedullary space 3206 within the bone marrow or other intramedullary constituents.

[00105] FIG. 33 illustrates another embodiment of an actuable bone fixation device 3310 having a wire form outer sheath 3320 along at least a portion of the length. The wire sheath can be welded to a stainless steel hypotube, for example, and can be configured to provide the ends be in a turned-out position to prevent rotation.

[00106] A challenge in bone fixation across the diaphysis to the metaphysis has been securing the cancellous bone in the metaphysis. This bone is sponge-like and can be brittle or vacuous, particularly in osteoporotic patients. A physician must choose between rigid to rigid surface fixation and rigid to porous surface fixation. One embodiment of a system capable of achieving rigid to porous fixation in skeletal bone is described here. FIG. 34 is a cross

section of a diaphysis to metaphysis transition of one of the skeletal bones of an animal or human. A cancellous or porous bone 3401 of the metaphysis is depicted. An intramedullary space 3402 is depicted along an axis of the bone. FIG. 34 illustrates a portion of a bone 3403 having a transverse fracture and an oblique fracture bone chip 3404. The challenge in practice is to tie these three bone fragments, one of the diaphysis and the two of the metaphysis together. Embodiments of this invention enable the formation of a foundation rigidly secured in all

Cartesian, polar, spherical and cylindrical axes of the diaphysis. FIG. 35 demonstrates surgical access to the intramedullary space 3502 after creating a lumen 3501 from the metaphyseal bone to the diaphyseal bone. The device, 3601, described in the preceding invention description is placed in the lumen and deployed as shown in FIG.

36. FIG. 37 illustrates a novel barb-screw. The barb-screw consist of a tool interface such as a hex head, flat head, torx head, or Phillips head screw drive Feature 3701. Feature 3702 is a thread that threads into and locks to the metaphyseal section of the device 3601 or through the metaphyseal locking flange 1700. The barb screw is comprised of wires or filaments, 3703, of nickel titanium or other rigid metallic, polymer, or ceramic material capable of deformation over a significant strain without yield or fracture. In one embodiment, the wires or filaments are beveled at the end 3704, to create a sharp or penetrating end. Upon removal of suppressive force such as a sheath 3705 or actuation by thermal, electrical, or mechanical means, the filaments undergo a physical change and

change shape to 3801 or other shape, as shown in FIG. 38. A plurality of wires or filaments 3901 may be positioned along the length of the barb-screw as shown in FIG. 39. The wires or filaments may serve multiple purposes, such as creating a thread to facilitate placement of the barb screw. Upon removal of the restraining force or application

of an external motive force the dual purpose screw feature, **4001**, can then turn and arc to capture bone as shown in **FIG. 40**. The barb-screw can be deployed through the device **3601**, retained by the thread, **4001**, to the device **3601**, and capture bone transverse **4101** to the placement of the device **3601** as shown in **FIG. 41**. The barb-screw can capture bone radially, **4201**, from the device **3601** as shown in **FIG. 42**. A mixed mode of bone fragment capture
5 may be utilized as well as shown in **FIG. 43**.

[00107] The actuable barb screw is adapted to provide a small diameter with great amount of surface area upon deployment; a combination of screw and barb capture modalities; locking threads to the device **3601**; and an activation by removal of external force or by imparting energy to the device by thermal, electrical, optical, or mechanical means. Any frequency of the spectrum of electromechanical radiation may be used to impart such
10 energy to the system.

[00108] As will be appreciated by those skilled in the art, the actuable barb screw can be configured to provide superior holding force and capture by employing rigid materials that change their radius of capture area after undergoing a change. Further, the barbs may be configured to be displaced as threads to aid insertion of the barb-screw.

[00109] Additional embodiments, methods, and uses are envisioned in accordance with the inventive attributes. Thus, for example, the drill can be used to bore an access opening into the trabecular (cancellous) bone at a bony protrusion located at a proximal **4401** or distal **4402** end of **FIG. 44** of a bone having a fracture; where the proximal end in the anatomical context is the end closest to the body midline and the distal end in the anatomical context is the end further from the body midline. For example, on the humerus, at the head of the humerus (located proximal, or nearest the midline of the body) or at the lateral or medial epicondyle (located distal, or furthest away from the
20 midline); on the radius, at the head of the radius (proximal) or the radial styloid process (distal); on the ulna, at the head of the ulna (proximal) or the ulnar styloid process (distal); for the femur, at the greater trochanter (proximal) or the lateral epicondyle or medial epicondyle (distal); for the tibia, at the medial condyle (proximal) or the medial malleolus (distal); for the fibula, at the neck of the fibula (proximal) or the lateral malleolus (distal); the ribs; the
25 clavicle; the phalanges; the bones of the metacarpus; the bones of the carpus; the bones of the metatarsus; the bones of the tarsus; the sternum and other bones with adequate internal dimension to accommodate mechanical fixation. As will be appreciated by those skilled in the art, access locations other than the ones described herein may also be suitable depending upon the location and nature of the fracture and the repair to be achieved. Additionally, the devices taught herein are not limited to use on the long bones listed above, but can also be used in other areas of the
30 body as well, without departing from the scope of the invention. It is within the scope of the invention to adapt the device for use in flat bones as well as long bones.

[00110] In accordance with one embodiment of the method, an incision **4501** as shown in **FIG. 45** may be made on the skin of the patient at a location substantially aligned with, for example, a proximal or distal end of the fractured bone (e.g., an end of the bone where cancellous bone is located). The incision thus allows the skin substantially
35 surrounding the incision at location to be pulled or folded back in order to expose the end of the fractured bone. The location of the access site is chosen by the surgeon based upon the diagnosis of the best entry point for the various devices of the invention. Access points include areas of the bone that are considered minimally invasive. These sites include the areas of the bones at the intersection at the elbow, knee, and ankle, *i.e.* the trabecular or cancellous bone located at the end of the long bones.

[00111] A drill bit may be operated **4502** by the surgeon to bore an opening to create a space within a central portion of the fractured bone. *See*, U.S. Patent **6,699,253** to McDowell et al. for Self-Centering Bone Drill.

Although, as will be appreciated by those skilled in the art, any tool capable of boring through the layer of tissue and

into the fractured bone may be used without departing from the scope of the invention. One example of such a device includes, but is not limited to, a coring reamer **4601** as shown in **FIG. 46** which may be used to bore into the bone as discussed below. See, US Patent **6,162,226** to de Carlo Jr. for Long Bone Reamer with Depth Stop Indicator. The coring reamer in one embodiment may be configured to harvest a bone plug from the access point for
5 future closure of the surgically created wound. This method would facilitate healing, and improve the surgical outcome in regards to strength, infection, and immune rejection of any foreign body.

[00112] The drill or reamer can be operated along the length of the bone in order to reach the location of the bone fracture. As would be appreciated by those skilled in the art, the use of a flexible reamer may require distal guidance **4602** to prevent inadvertent injury or damage to the surrounding bone. In order to provide such guidance,
10 a wire, or other thin resilient, flexible entity of minimal cross sectional size, can be provided to provide such guidance. The guide wire is placed subsequent to creation of the access site and exposure of the space. A secondary access hole **4603** can be created distal to the initial access. The guide wire is then deployed using standard technique into the bone space, across the bone from the proximal access hole to the secondary access hole. Further, the device can use its distal end as an obturator to create a path through the bone, through the intramedullary space,
15 and/or across a fracture, is desired.

[00113] A centering entity **4604**, may be used to "float" the guide wire away from the extremities of the inside feature of the space and bone. The guide wire and centering entity may be left in place throughout the procedure and may be present considerable advantages for subsequent cleaning, and placement of the reinforcement device. The second distal access may be optional. The centering entity, or visualization under fluoroscopy, may obviate the
20 need for the distal access. In this embodiment of the use of the guide wire, the centering entity can be used independently of the distal access. Another embodiment eliminates both the distal access and the centering device. In that embodiment, only the guide wire is used to center the reaming tool. In another embodiment the guide wire is not used. The reaming tool is centered by technique of visualization under fluoroscopy or other means.

[00114] Thereafter, a channel within the bone, such as within the intramedullary space, is created and is cleaned to
25 remove the bone and fat debris prior to the deployment of the reinforcement device through the space within the fractured bone. Irrigation and cleaning of the channel created in the bone would be accomplished using techniques known in the art. For example, irrigation can be accomplished using water, saline or ringers solution. Solutions that include other solutes may also be beneficial; for example, solutions of having functional or therapeutic advantage, as well as growth stimulation and anti-infection agents such as antibiotic, including gentomycin.

[00115] A lavage system can also be used, such as a lavage system **4701** shown in **FIG. 47** which includes bi-directional flow path tubing. The lavage system can be used to remove bone fragments and fat debris from space as a result of using the drill or coring reamer. In one embodiment, the lavage system includes an inflow of saline solution provided into the space of the fractured bone, while a vacuum suction by the flow path tuning removes the
35 bone and debris fragments loosened in saline solution. In this manner, the space within the fractured bone may be cleaned and prepared for the deployment of the reinforcement device to the fracture site of the bone. See, US Patent **4,294,251** to Greenwald et al. for Method of Suction Lavage.

[00116] The coring reamer or drill can be used to create a space within the fractured bone, as well as past the location of the fracture itself. The lavage system can be similarly configured to clean the debris within the space including at the location of the fracture. The reamer or drill may traverse the fracture site independently or in
40 conjunction with a protective sheath across the fracture site. As will be appreciated by those skilled in the art, the space may be reamed from both ends, from a proximal opening and a distal opening up to the fracture site.

[00117] As discussed above, in accordance with one embodiment of the present invention, the physical trauma to the patient is substantially minimized in treating the bone fracture by limiting the incision to a relatively small location corresponding to the proximal end of the fractured bone, allowing faster patient recovery and wound healing.

5 [00118] This procedure can use a smaller opening than the procedure used for an intramedullary nail. Further, the device and its operation, minimizes or eliminates the risk of pain or necrosis of the bone.

[00119] Candidate materials for the devices and components would be known by persons skilled in the art and include, for example, suitable biocompatible materials such as metals (*e.g.* stainless steel, shape memory alloys, such a nickel titanium alloy nitinol) and engineering plastics (*e.g.* polycarbonate). See, for example US Patent Nos.
10 **5,190,546** to Jervis for Medical Devices Incorporating SIM Memory Alloy Elements and **5,964,770** to Flomenblit for High Strength Medical Devices of Shape Memory Alloy. In one embodiment, the outer exoskeleton or sheath may be made of materials such as titanium, cobalt chrome stainless steel. Alternatively, the sheath can be made of biocompatible polymers such as polyetheretherketone (PEEK), polyarylamide, polyethylene, and polysulphone.

[00120] As will be appreciated by those skilled in the art, the polymer or thermoplastic used to make any of the
15 components of the device, such can comprise virtually any non-radiopaque polymer well known to those skilled in the art including, but not limited to, polyether-etherketone (PEEK), polyphenylsulfone (Radel®), or polyetherimide resin (Ultem®). If desired, the polymer may also comprise a translucent or transparent material, or a combination of materials where a first material has a first radiopacity and the second material has a second radiopacity. Suitable PEEK can include an unfilled PEEK approved for medical implantation. The devices and components can be
20 formed by extrusion, injection, compression molding and/or machining techniques, as would be appreciated by those skilled in the art.

[00121] Other polymers that may be suitable for use in some embodiments, for example other grades of PEEK, such as 30% glass-filled or 30% carbon filled, provided such materials are cleared for use in implantable devices by the FDA, or other regulatory body. The use of glass filled PEEK would be desirable where there was a need to reduce
25 the expansion rate and increase the flexural modulus of PEEK for the instrument. Glass-filled PEEK is known to be ideal for improved strength, stiffness, or stability while carbon filled PEEK is known to enhance the compressive strength and stiffness of PEEK and lower its expansion rate. Still other suitable biocompatible thermoplastic or thermoplastic polycondensate materials may be suitable, including materials that have good memory, are flexible, and/or deflectable have very low moisture absorption, and good wear and/or abrasion resistance, can be used
30 without departing from the scope of the invention. These include polyetherketoneketone (PEKK), polyetherketone (PEK), polyetherketoneetherketoneketone (PEKEKK), and polyetheretherketoneketone (PEEKK), and generally a polyaryletheretherketone. Further other polyketones can be used as well as other thermoplastics. Reference to appropriate polymers that can be used in the tools or tool components can be made to the following documents, all of which are incorporated herein by reference. These documents include: PCT Publication **WO 02/02158 A1**, to
35 Victrex Manufacturing Ltd. entitled Bio-Compatible Polymeric Materials; PCT Publication **WO 02/00275 A1**, to Victrex Manufacturing Ltd. entitled Bio-Compatible Polymeric Materials; and PCT Publication **WO 02/00270 A1**, to Victrex Manufacturing Ltd. entitled Bio-Compatible Polymeric Materials. Still other materials such as Bionate®, polycarbonate urethane, available from the Polymer Technology Group, Berkeley, Calif., may also be appropriate because of the good oxidative stability, biocompatibility, mechanical strength and abrasion resistance. Other
40 thermoplastic materials and other high molecular weight polymers can be used as well for portions of the instrument that are desired to be radiolucent.

[00122] Moreover, the outer exoskeleton structure, or sheath, may be a hybrid of metal components to accommodate the interdigitation features or the tubular part of the exoskeleton.

[00123] In still other embodiments, the device or components can be coated with therapeutic agents or can be configured from polymers with therapeutic agents incorporated therein.

5 [00124] The device may be of a variety of lengths and diameters. The length and diameter of the device may be determined by the fracture site and patient anatomy and physiology considerations. The length must traverse the fracture across its angularity to the internal diameter. The diameter ranges from the minimum to the maximum internal diameter for the space. Though not restricted to these values, the length may vary from 1000 mm to 1 mm and the diameter may range from .1 mm to 100 mm. These interdigitation features are designed to penetrate 25 to
10 75% of the cortical bone at the site of the fracture. The designs of the device allow for a multiple lengths of interdigitation in different devices and within the same device.

[00125] The interdigitation features, upon full deployment, may be configured to open out and into the surrounding bone to hold in place the fragments of the fractured bone. This can be achieved with the use of an inner sleeve 4901 as shown in FIG. 49. In one embodiment of the present invention, the cross bone fracture stabilization assembly
15 may be removed after a predetermined period of time during which the bone at the fractured site has substantially and completely healed. The inner sleeve 4801 as shown in FIG. 48 is then removed and the guide wire 4802 may be used to remove the cross bone fracture stabilization assembly 4803 in one embodiment. Alternatively, within the scope of the present invention, the cross bone fracture stabilization assembly may be permanently positioned within the space so as to remain integrally intact with the bone tissues substantially at the fractured site.

20 [00126] As will be appreciated by those skilled in the art, the device can be configured such that an outer sleeve is removable upon deployment of the interdigitation feature (e.g. expansion of the teeth away from the central axis). In another embodiment, the inner sleeve 5001 as shown in FIG. 50 can be removed causing the teeth 5002 to collapse inward toward the central axis of the outer exoskeleton or sheath 5003. In an embodiment according to this design, the device to bone connective force would be eliminated upon removal of the inner sleeve. The teeth of exoskeleton
25 or sheath either retract back towards the central axis of the device or upon pulling the device towards the proximal opening in the bone, the teeth disengage from the bone. This allows facile removal of the device. In one embodiment, the outer exoskeleton or sheath may be removed by applying a force opposite in direction away from the outer exoskeleton.

[00127] While the description above relates to cross bone deployment, this stabilization device is suitable to
30 communicate anatomical forces across any areas of weakened bone. The location of the weakened bone is identified by suitable diagnosis. The cross bone stabilization device 5101 as shown in Fig. 51 within the scope of the present invention may be deployed across the region of weakened bone. Within the scope of the present invention, the cross bone stabilization device may be made from large diameter for long bones or very small sizes for bones of the hand or foot. The diameter and length of the device are designed for fixation of the bone internally.

35 [00128] After positioning the reinforcement device at the desired location within the space so as to substantially be in contact, with the bone fracture, using a K-wire driver 5201 as shown in FIG. 52, the bone fragments are attached to the reinforcement device 5202 that is fully deployed, properly positioned within the space and structurally expanded to substantially fill the space where it is positioned. K-wires 5203, i.e., thin, rigid wires, can be used to stabilize bone fragments. These wires can be drilled through the bone to hold the fragments in place. As would be
40 appreciated by those skilled in the art, the k-wires can also be placed percutaneously (through the skin).

[00129] More specifically, upon complete removal of the introducer described above from the central aperture, the bone fragments can be attached to the device by K-wires deployed using a K-wire driver so that the fragments are

substantially and properly aligned with the bone structure guided by the reinforcement device during the recuperation process. Furthermore, optionally, bone cement, allographic bone, harvested bone, cadaver bone or other suitable bony matrices may be introduced into the space after removing the introducer to substantially fill the space from the incision site to the reinforcement device. Moreover, prior to closing the incision site, a bone plug
5 may be deployed at the opening of the space of the bone to substantially seal the bony matrix and/or to seal the space.

[00130] After the device has been implanted according to any of the techniques described herein, the incision site is closed with stitches, for example, to allow the fracture, and the fragments to heal.

[00131] In another embodiment of the device includes a plurality of independent structural members with inner or
10 outer position across weakened or fractured bone. Though each independent structural member is placed uniquely in bone additional wires, threads, sutures may tie these together across bone so that the plurality of structural members are linked and form a rigid construction that resists anatomical and typical patient loading and forces. In FIGS. 53 are shown examples 5301, 5302, 5303 and 5304 of independent structural members connected by high tensile strength connective members. With this construction, very small reinforcement and fixation devices may be
15 constructed in situ.

[00132] In similar construction an expandable device 5401 as shown in FIG. 54 is envisioned whereby the interdigitating interface to bone lies proximal and distal to the plurality of bars, rods, or other members that tie together both ends.

[00133] In another example, the upper trochanteric region of the bone or other region of the musculo-skeletal
20 system may be exposed and a hole may be cored out of the femoral neck 5501 as shown in FIG. 55. The reinforcement device (e.g., made of nitinol) is then delivered to the bore and expanded to fill the outside diameter of the hole 5601 as shown in FIG. 56. The inner diameter of the reinforcement device may be filled and pressurized with the bone cement. Alternatively, the inner diameter of the reinforcement device may be filled with the excised bone, bone plug or allographic bone 5602.

[00134] A corollary embodiment of the previously described art include axial translation from distal to proximal
25 ends of the device thereby drawing bone and tissue together through shortening the axial distance distal to proximal. These embodiments have specific applications in fracture non-unions, joint fusions and certain fractures.

[00135] The devices disclosed herein can be deployed in a variety of suitable ways, as would be appreciated by those skilled in the art. For example, a provisional closed reduction of the fracture can be performed wherein a 1.5 to
30 2 inch incision is made overlying the metaphyseal prominence of the bone. Blunt dissection is then carried to the fascia whereupon the fascia is incised. The surgical approach to the central aspect (anterior-posterior) proceeds by either splitting the tendon or ligament or muscle longitudinally or by elevating structures of the bone in a subperiosteal fashion. The choice of the particular approach varies with respect to the fractured bone that is being treated. A specialized soft tissue retractor is placed onto the bone retracting the soft tissues away from the entry
35 point of the bone.

[00136] A guide wire can then be drilled at an angle into the insertion point along the metaphyseal prominence. The angle of placement of the guide wire along the longitudinal axis of the bone depends on the fracture anatomy and particular bone being treated. The guide wire can then be placed under fluoroscopic guidance. An optimally chosen reamer is introduced over the guide wire opening the metaphyseal entry point. Both devices are then removed.

[00137] A curved guide wire is introduced across the open channel of the metaphysis and is advanced across the
40 fracture site into the diaphysis of the bone. Sequential reaming appropriate for the particular device is performed to prepare the diaphysis. The distance from the fracture site to the entry point is estimated under fluoroscopy and the

appropriate device is selected. The reamer is withdrawn and the device is introduced across the guide wire into the metaphysis and across the fracture into the diaphysis. Fluoroscopy confirms the location of the universal joint at the metaphyseal/diaphyseal fracture site.

5 [00138] The diaphyseal teeth of the device are deployed and the device is rigidly fixed to the diaphysis of the fractured bone distal to the fracture site. Any extension of the fracture into the joint can now be reduced in a closed fashion and held with K wires or in an open fashion via a dorsal approach to the intra-articular portion of the fracture. Metaphyseal locking flanges with targeting outriggers attached are now advanced (in to the metaphyseal bone) across the metaphyseal shaft. Using the attached targeting outrigger, guidewires are now placed through the metaphyseal locking flanges. The guidewires are directed fluoroscopically to stabilize the intra-articular portion of
10 the fracture and/or to stabilize the metaphyseal fracture securely. Holes are drilled over the guidewires with a cannulated drill bit. Then, self tapping screws are advanced over the guidewires to lock the bone to the shaft and metaphyseal locking flange. The device is now locked within the proximal and distal bone fragments (metaphyseal or diaphyseal) and distal (diaphyseal) bone. This provides for rigid fixation of the comminuted intra-articular fragments to each other, and the fixation between these screws interlocking in to the metaphyseal flange component
15 provides rigid fixation of these intra-articular fragments in the metaphyseal region to the diaphyseal shaft as well. The extremity and fracture is now manipulated until a satisfactory reduction is achieved as visualized under fluoroscopy. Thereafter, the fracture is manipulated under fluoroscopic guidance in order to achieve anatomic alignment of the bone fragments. Once optimal intramedullary reduction is achieved, the universal joint is locked. The fracture is now fixed securely. The guide wire is removed and the wound is closed repairing the periosteum
20 over the metaphyseal entry point and repairing the fascia and closing the skin. A splint maybe applied.

[00139] While preferred embodiments of the present invention have been shown and described herein, it will be obvious to those skilled in the art that such embodiments are provided by way of example only. Numerous variations, changes, and substitutions will now occur to those skilled in the art without departing from the invention. It should be understood that various alternatives to the embodiments of the invention described herein may be
25 employed in practicing the invention. It is intended that the following claims define the scope of the invention and that methods and structures within the scope of these claims and their equivalents be covered thereby.

CLAIMS

WHAT IS CLAIMED IS:

1. A lockable bone fixation device comprising:
 - a. a sleeve adapted to be positioned in a space formed in a bone;
 - 5 b. a guidewire adapted to guide movement of the sleeve; and
 - c. an actuable lock adapted to secure the sleeve within the space of the bone from an end of the device.
2. The lockable bone fixation device of claim 1 wherein the sleeve is flexible.
3. The lockable bone fixation device of claim 1 wherein the sleeve has apertures.
4. The lockable bone fixation device of claim 1 wherein the sleeve is expandable.
- 10 5. The lockable bone fixation device of claim 1 wherein the sleeve is bioabsorbable.
6. The lockable bone fixation device of claim 1 wherein the sleeve is removable from the space within the bone.
7. The lockable bone fixation device of claim 1 wherein the sleeve is adapted to access the space within the bone through an access aperture formed in a bony protuberance of the bone.
8. The lockable bone fixation device of claim 1 further comprising a second sleeve adapted to fit within the first
15 sleeve.
9. The lockable bone fixation device of claim 8 wherein the second sleeve has a retractable interdigitation process.
10. The lockable bone fixation device of claim 9 wherein the sleeve has an aperture along its length through which the retractable interdigitation process is adapted to engage bone.
11. The lockable bone fixation device of claim 9 wherein the retractable interdigitation process is adapted to engage
20 bone when actuated by the sleeve.
12. The lockable bone fixation device of claim 1 further comprising a cantilever adapted to retain the lockable bone fixation device within the space.
13. The lockable bone fixation device of claim 1 wherein the sleeve is adapted to be expanded and collapsed within the space by a user.
- 25 14. The lockable bone fixation device of claim 1 wherein the device is adapted to be delivered by a catheter.
15. The lockable bone fixation device of claim 1 wherein a distal end of the device has a blunt obturator surface.
16. The lockable bone fixation device of claim 1 wherein a distal end of the device has a guiding tip.

17. The lockable bone fixation device of claim 1 wherein the device is adapted to receive external stimulation to provide therapy to the bone.
18. The lockable bone fixation device of claim 1 wherein the device is adapted to receive composite material when the device is disposed within a lumen.
- 5 19. A bone fixation device comprising:
- a. a first sleeve having a retractable interdigitation process at a location along its length adapted to engage a bone; and
 - b. a second sleeve sized adapted to activate the interdigitation process of the first sleeve.
20. The bone fixation device of claim 19 wherein the first or second sleeve is flexible.
- 10 21. The bone fixation device of claim 19 wherein the first or second sleeve has apertures.
22. The bone fixation device of claim 19 wherein the first or second sleeve is expandable.
23. The bone fixation device of claim 19 wherein the first or second sleeve is bioabsorbable.
24. The bone fixation device of claim 19 wherein the first or second sleeve is removable.
25. The bone fixation device of claim 19 wherein the first and second sleeve are adapted to access an space of the
15 bone through an access aperture formed in a bony protuberance of the bone.
26. The bone fixation device of claim 19 wherein the second sleeve has a retractable interdigitation process.
27. The bone fixation device of claim 19 wherein the second sleeve has an aperture along its length through which the retractable interdigitation process is adapted to engage bone.
28. The bone fixation device of claim 19 wherein the retractable interdigitation process is adapted to engage bone
20 when actuated by the second sleeve.
29. The bone fixation device of claim 19 wherein a cantilever retains the bone fixation device within a space of the bone.
30. The bone fixation device of claim 19 wherein the first or second sleeve is adapted to be expanded and collapsed within the bone by a user.
- 25 31. The bone fixation device of claim 19 wherein the device is adapted to be delivered by a catheter.
32. The bone fixation device of claim 19 wherein a distal end of the device has a blunt obturator surface.
33. The bone fixation device of claim 19 wherein a distal end of the device has a guiding tip.
34. The bone fixation device of claim 19 wherein the device is adapted to deliver therapeutic stimulation to the bone.

35. "The bone fixation device of claim 19 wherein the device is adapted to receive composite material when the device is disposed within a lumen.
36. A method of repairing a bone fracture comprising:
- a. accessing a fracture along a length of a bone through a bony protuberance at an access point at an end
5 of a bone;
 - b. advancing a bone fixation device into an space through the access point at the end of the bone;
 - c. bending a portion of the bone fixation device along its length to traverse the fracture; and
 - d. locking the bone fixation device into place within the space of the bone.
37. The method of claim 36 further comprising the step of advancing an obturator through the bony protuberance
10 and across the fracture prior to advancing the bone fixation device into the space.
38. The method of claim 36 further comprising the step of anchoring the bone fixation device within the space.
39. The method of claim 36 wherein a first sleeve and a second sleeve of the bone fixation device are engaged to expand an interdigitation process into the bone.
40. A method of repairing a bone fracture comprising:
- a. accessing a fracture along a length of bone through a bony protuberance at an entry portal;
 - b. introducing a bone fixation device into an medullary canal through the entry portal;
 - c. bending the bone fixation device along its length to advance into bone fixation device into the
15 medullary space in the bone;
 - e. placing a flexible elbow in the medullary canal at the fracture site;
 - f. stiffening the bone fixation device;
 - g. locking the bone fixation device within the bone;
 - h. reducing the fracture with the bone fixation device;
 - i. locking the flexible elbow to achieve intramedullary reduction of the fracture.
41. The method of claim 40 further comprising the step of bending the bone fixation device along its length to
25 traverse the fracture site.
42. The method of claim 40 further comprising introducing a guide wire into the medullary space through a bony protuberance at an entry portal.
43. The method of claim 40 further comprising reaming a guide wire through the bony protuberance at an entry portal.
- 30 44. The method of claim 43 wherein the location of the reamed canal is determined by the fracture anatomy and bone anatomy.
45. The method of claim 40 further comprising advancing a sleeve along the bone fixation device.

46. The method of claim 45 wherein the sleeve unlocks spikes from the fixation device.
47. The method of claim 46 wherein the spikes lock the bone fixation device to bone.
48. The method of claim 47 further comprising locking a butterfly ring to the bone.
49. The method of claim 47 further comprising locking a butterfly ring to the bone fixation device.
- 5 50. The method of claim 47 wherein butterfly rings are threaded over the bone fixation device.
51. The method of claim 46 and 47 wherein a guide jig guides screws through the butterfly rings.
52. The method of claim 46 and 47 wherein self tapping screws lock the butterfly rings to the bone and bone fixation device.
53. The method of claim 45 wherein the bone fixation device is stiffened.
- 10 54. The method of claim 40 further comprising reducing the fracture fragments with the bone fixation device locked to the bone.
55. The method of claim 40 further comprising advancing a set screw to lock the elbow at the fracture site.

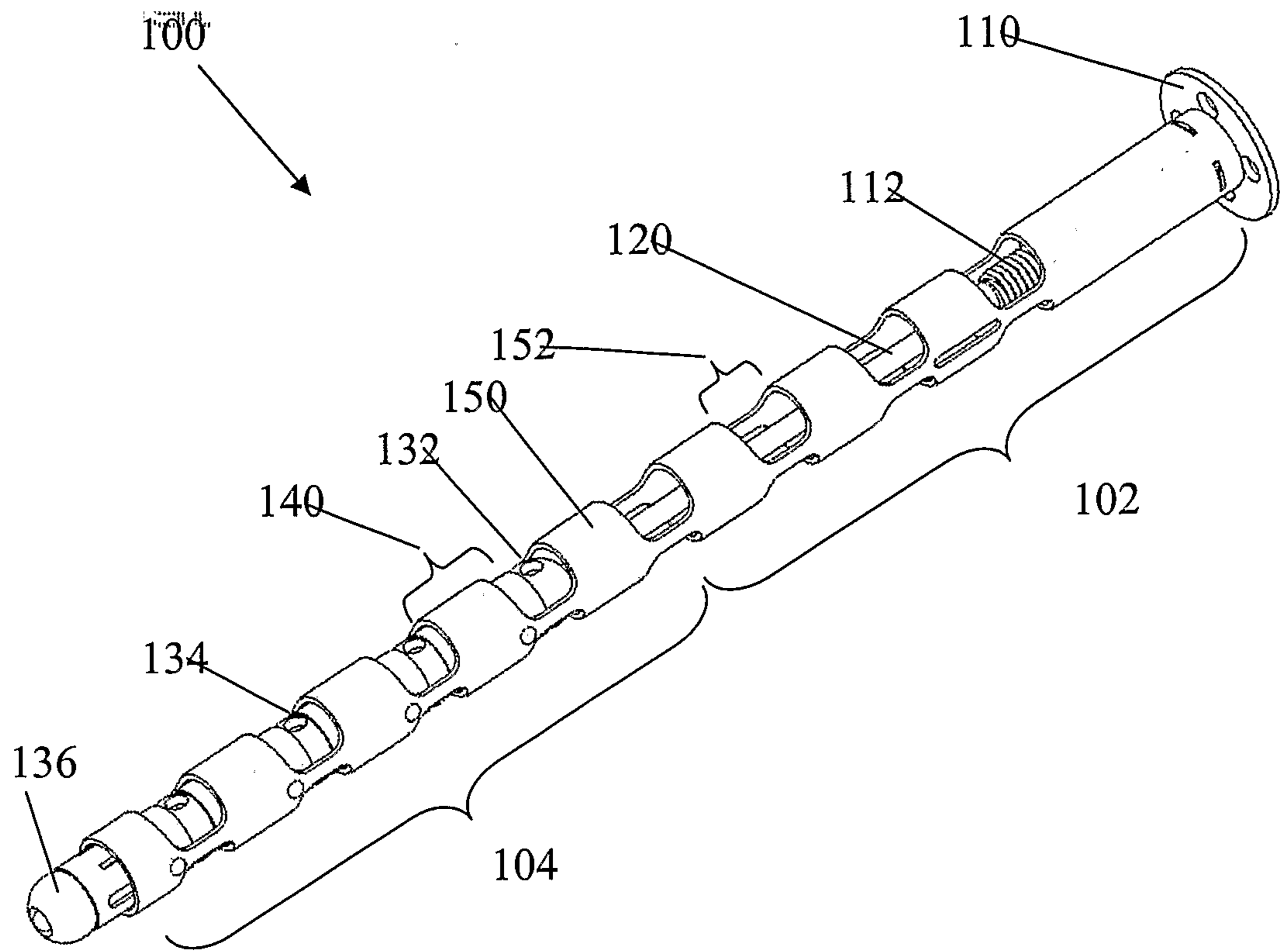


Fig 1A

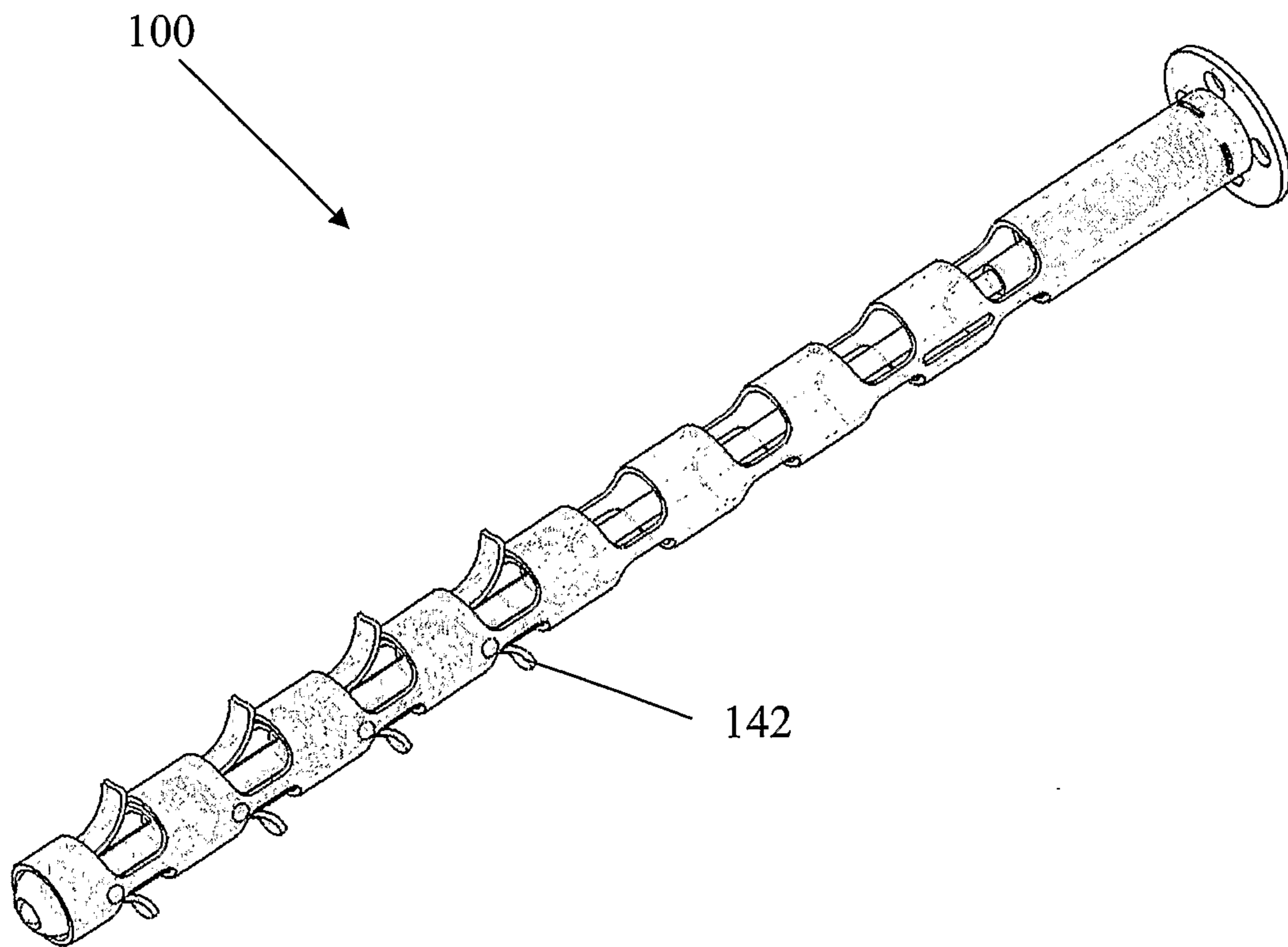
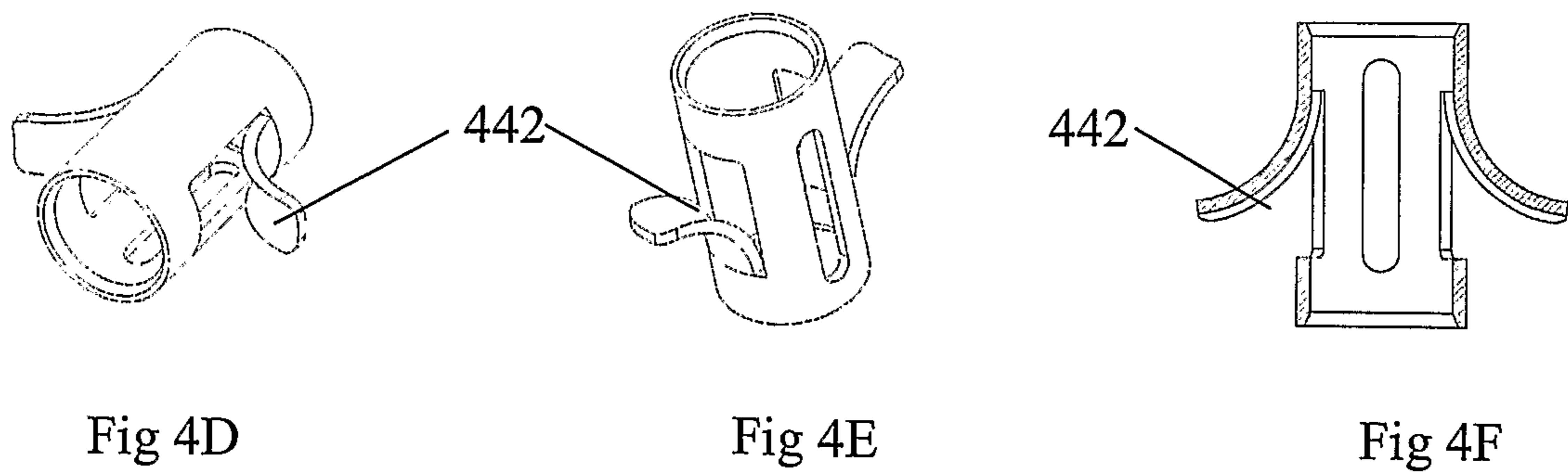
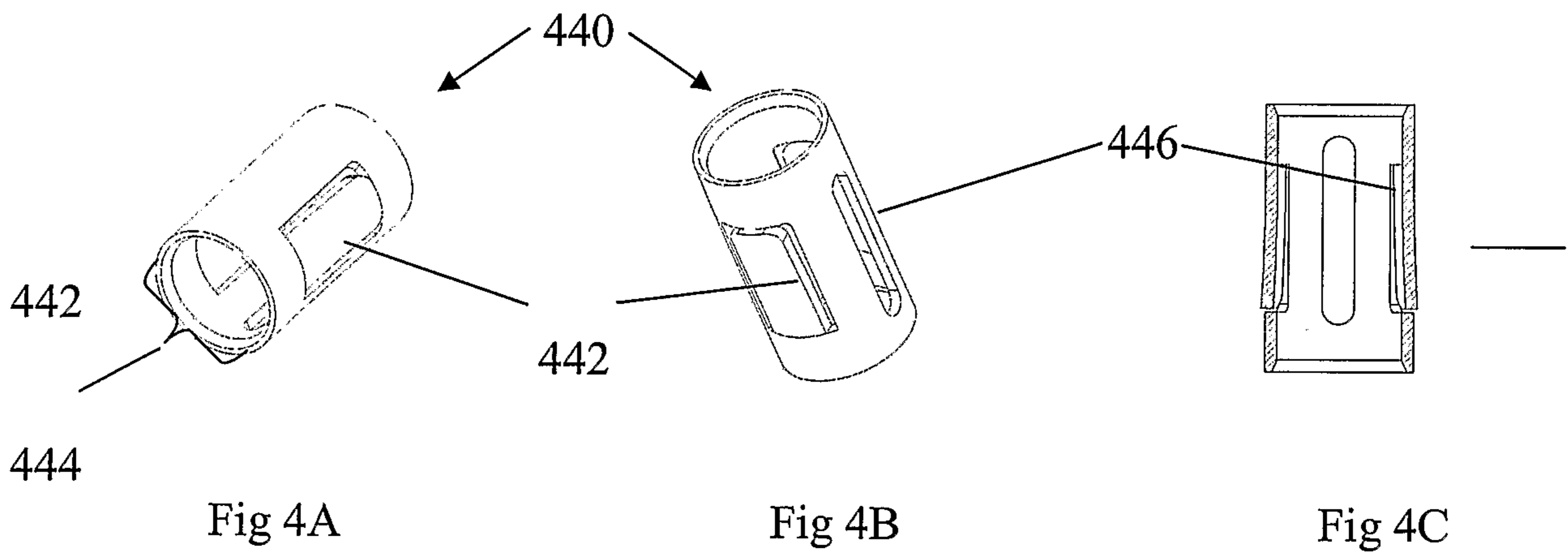
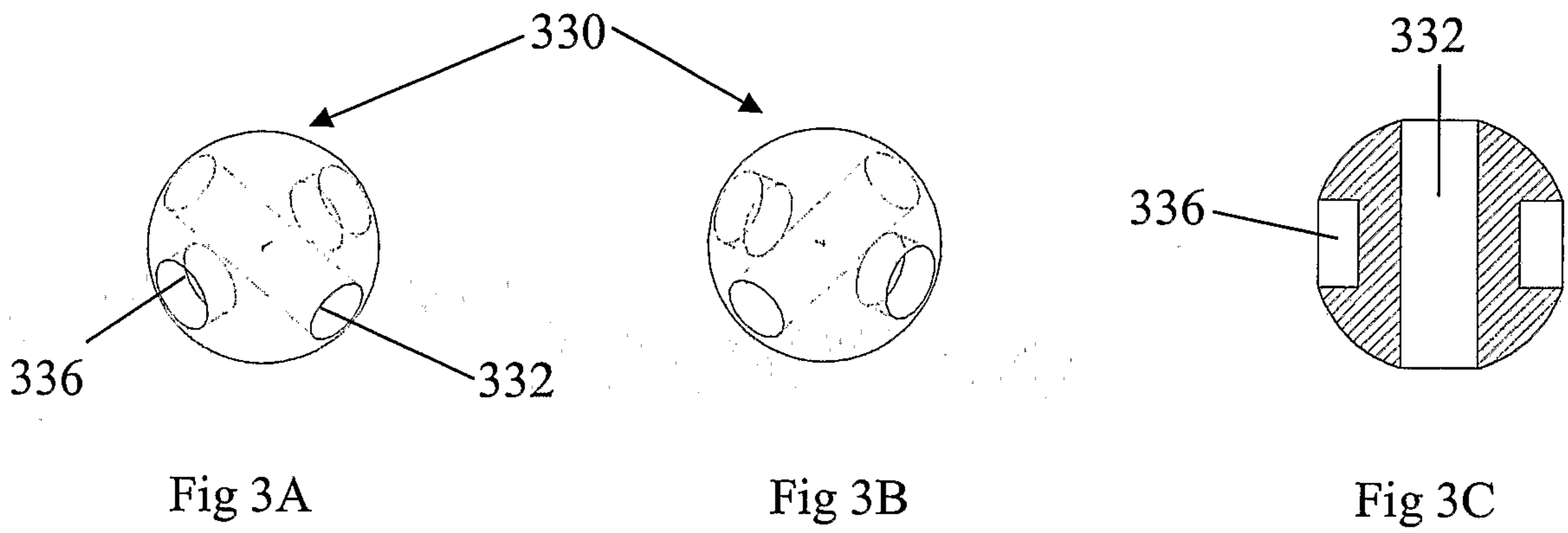
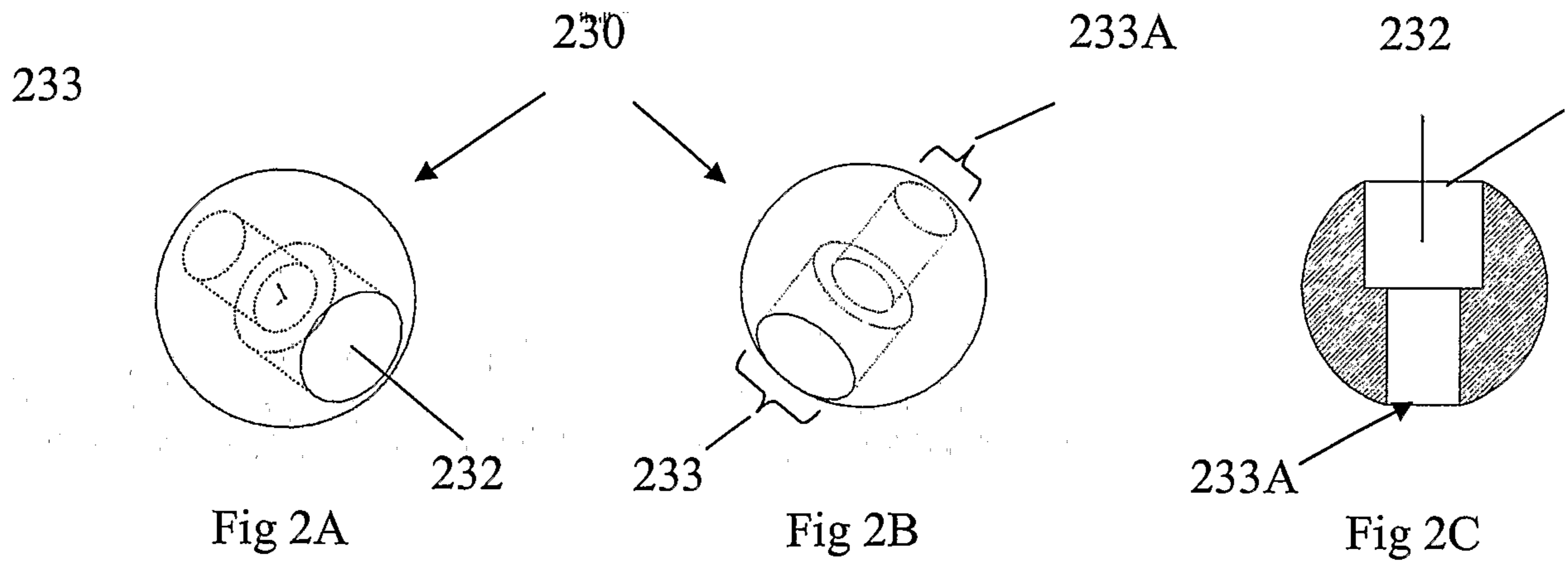


Fig 1B



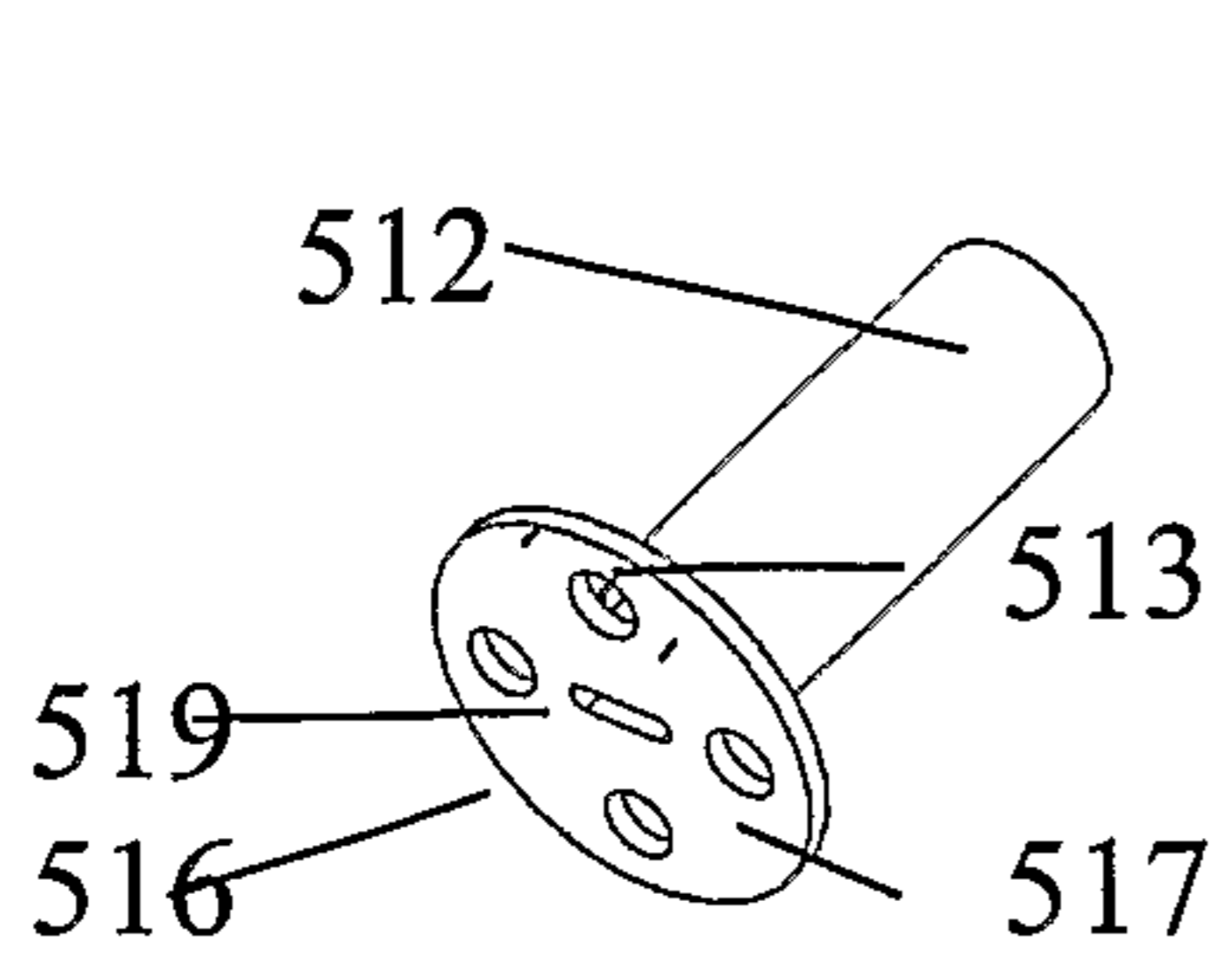


Fig 5A

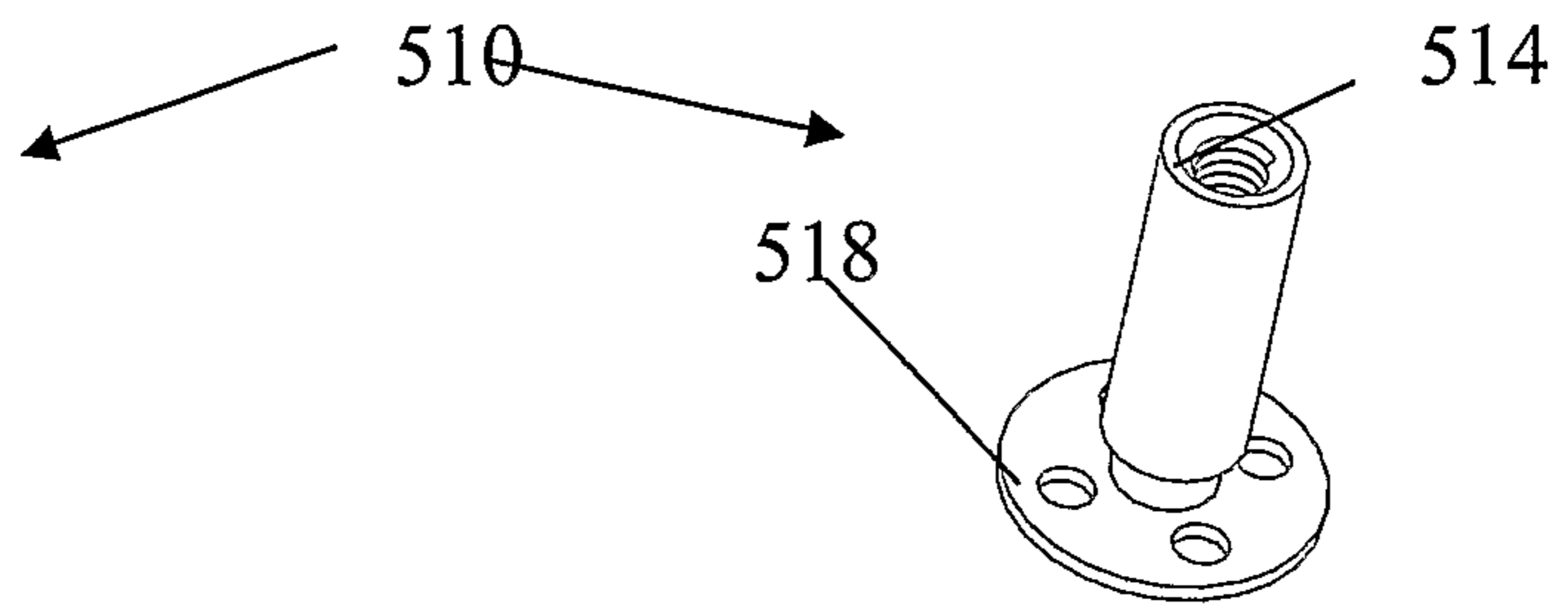


Fig 5B

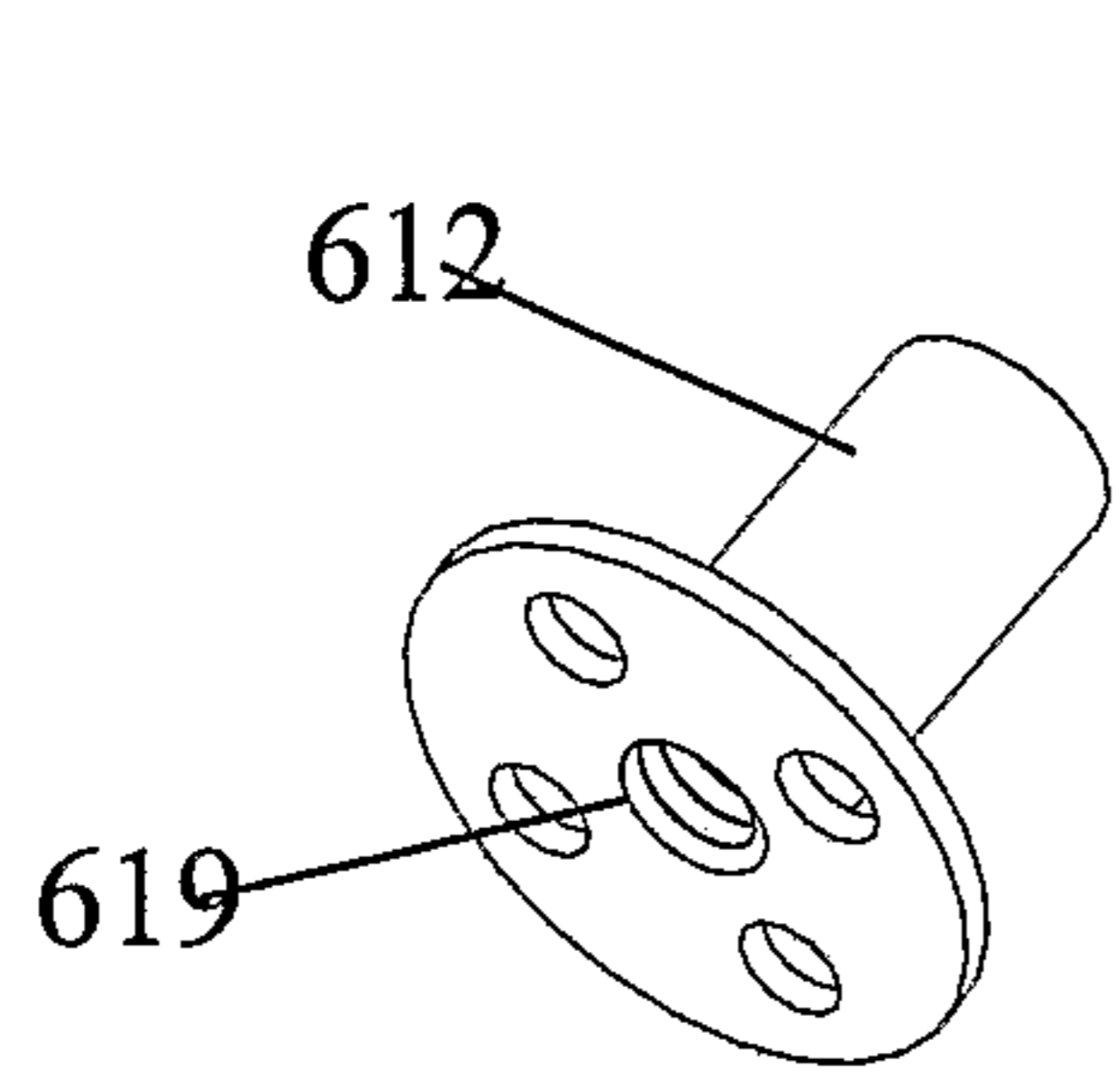


Fig 6A

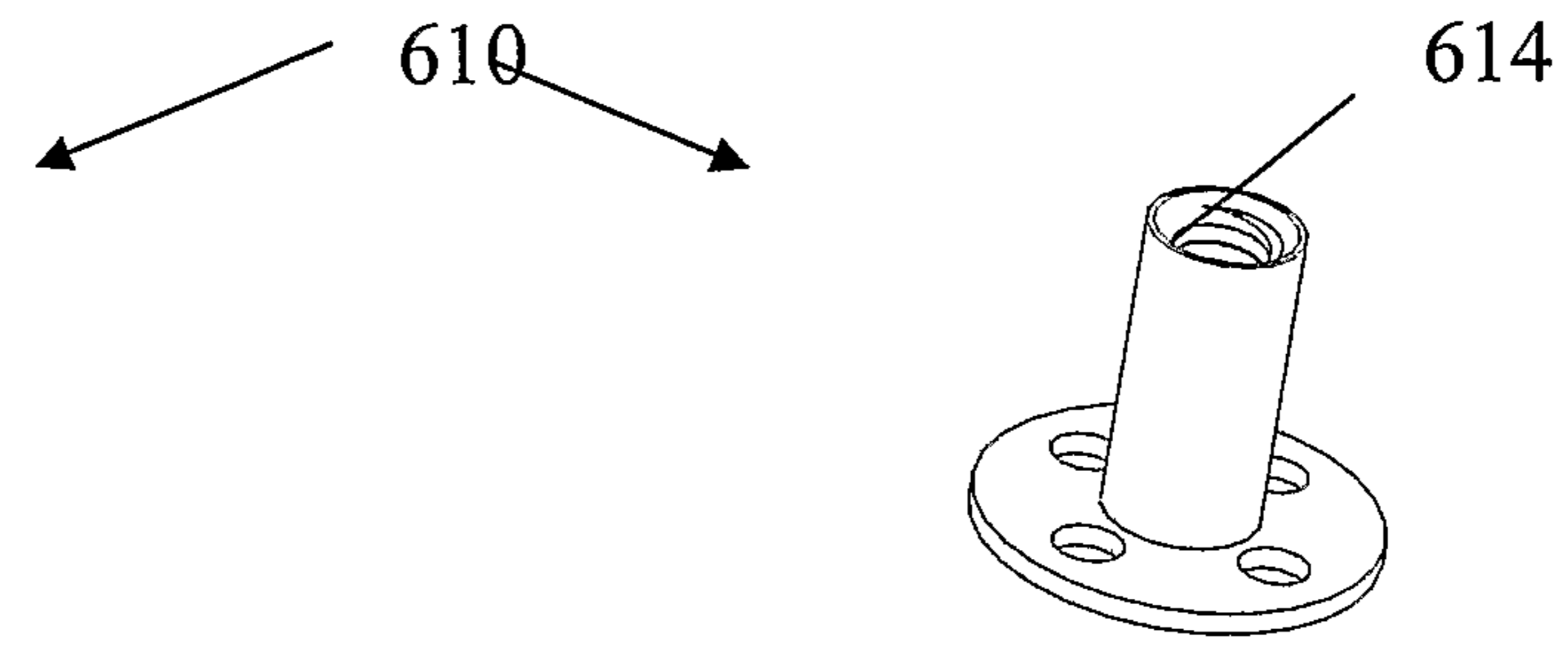


Fig 6B

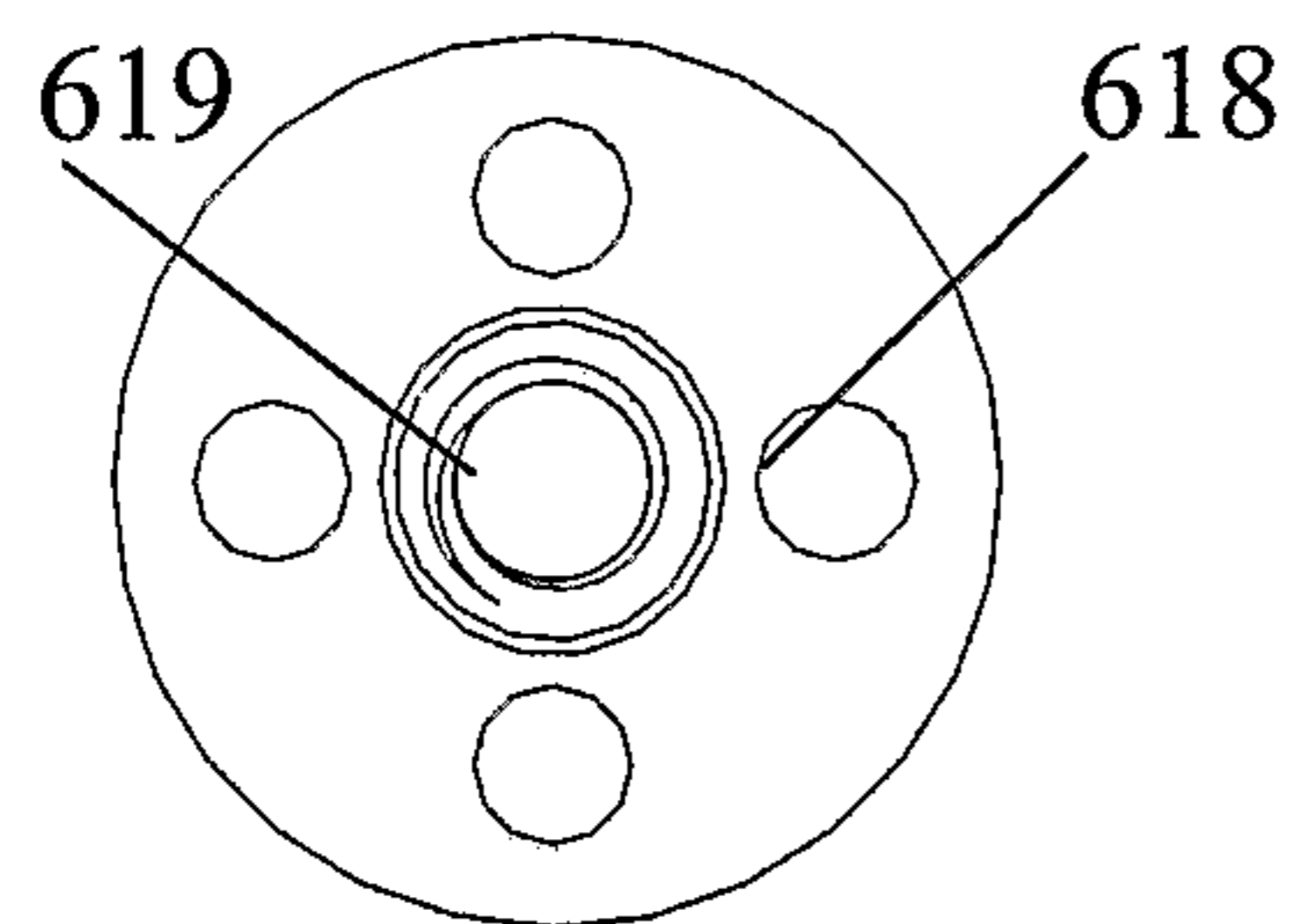


Fig 6C

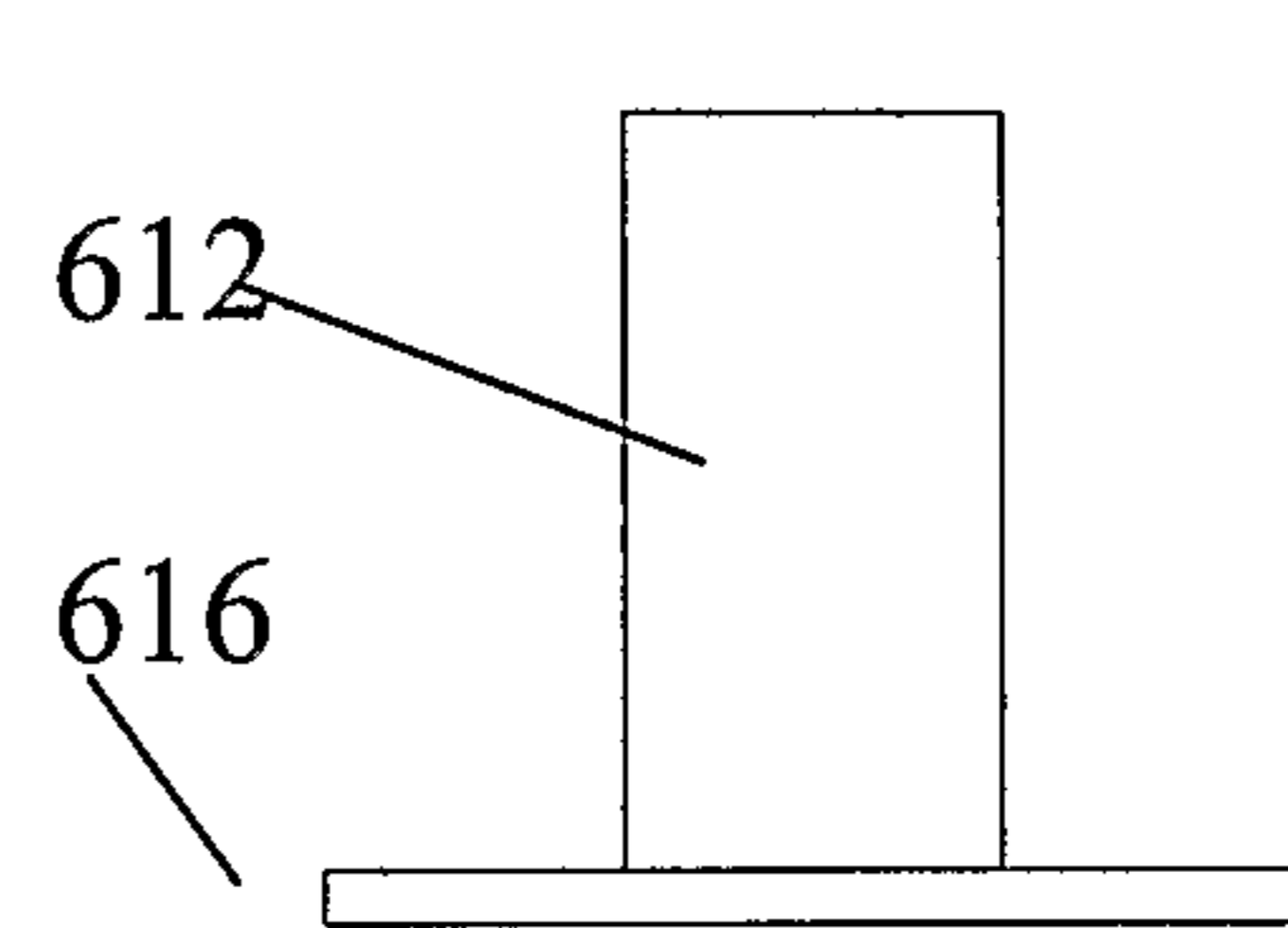


Fig 6D

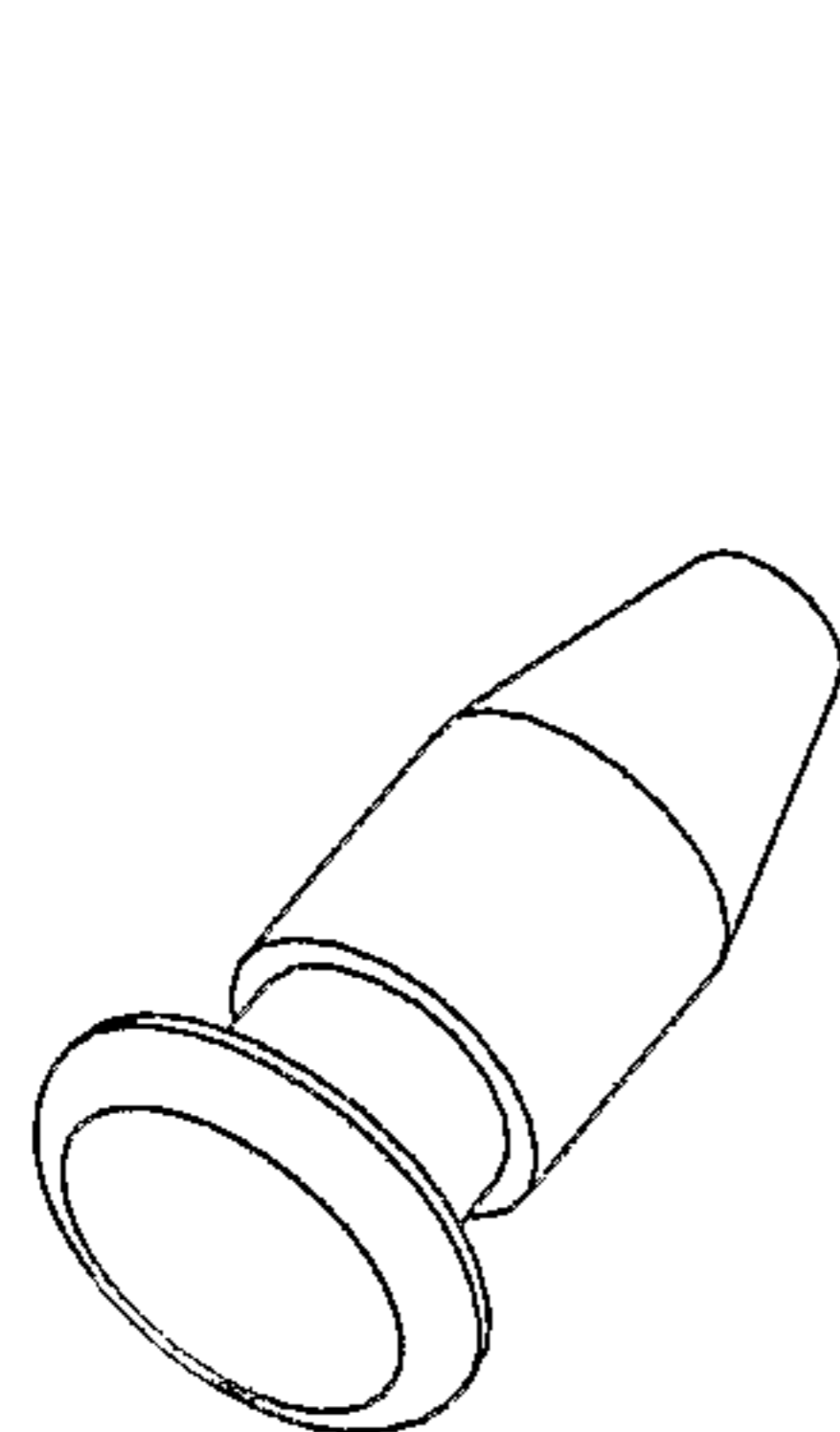


Fig 7A

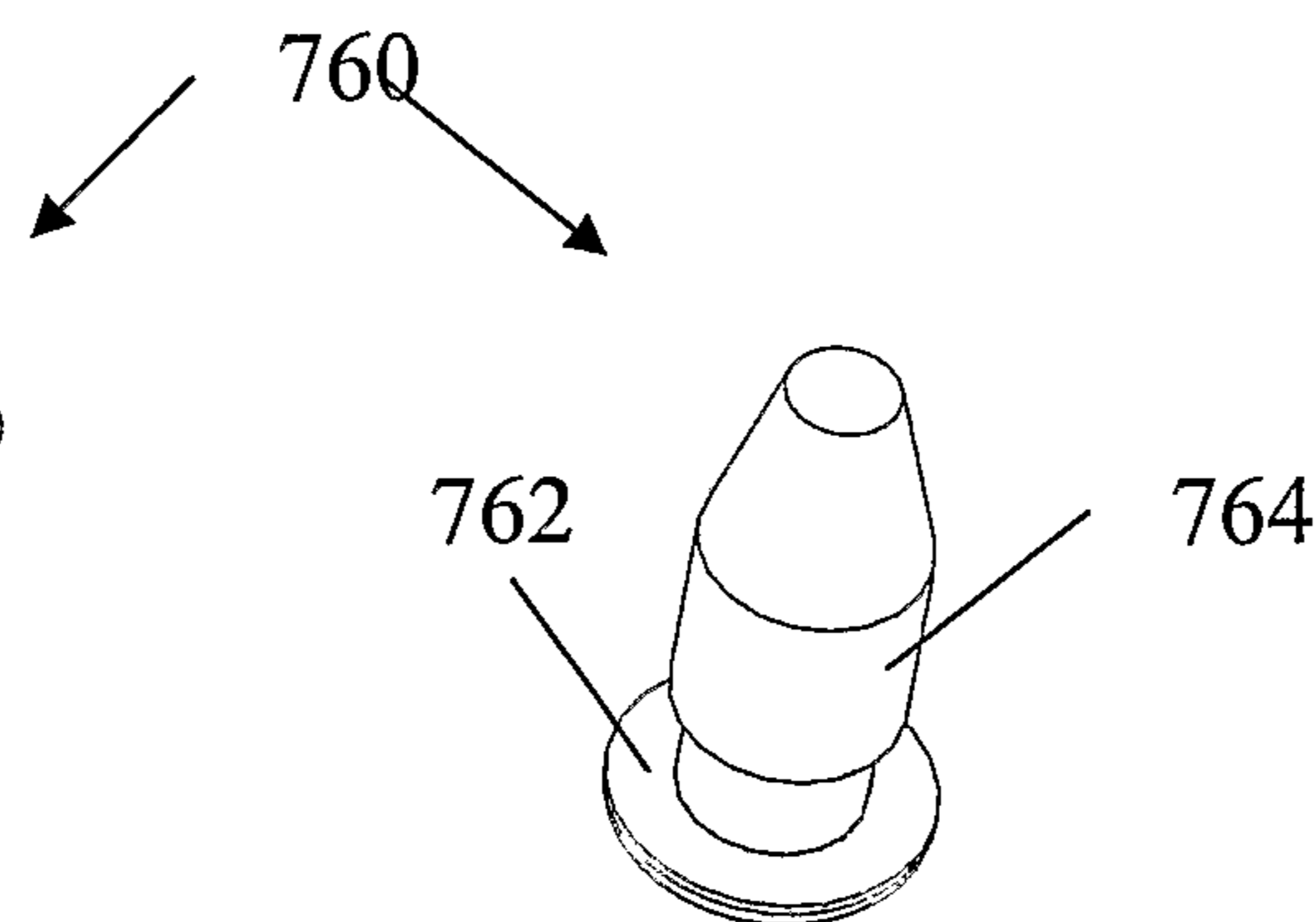


Fig 7B

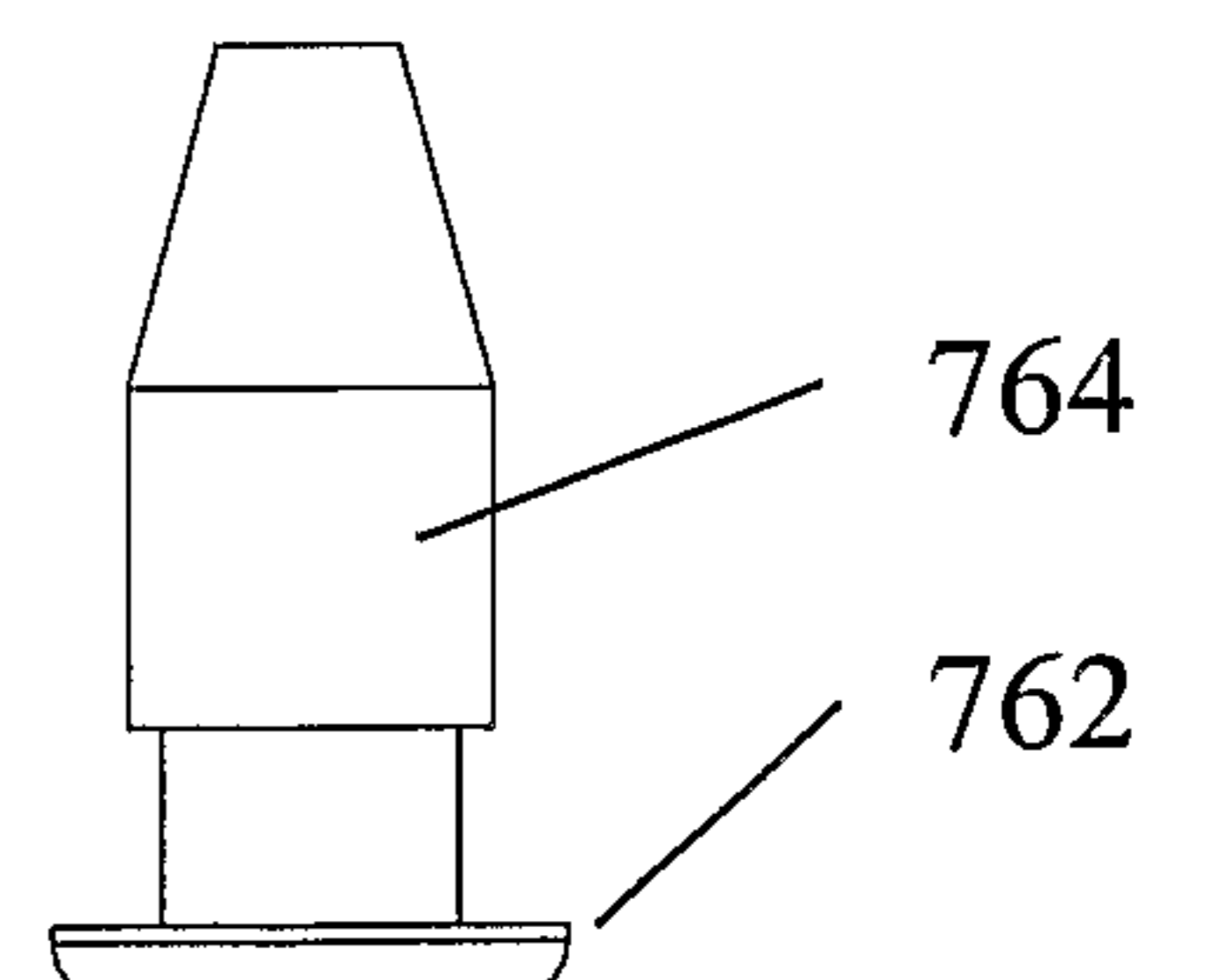


Fig 7C

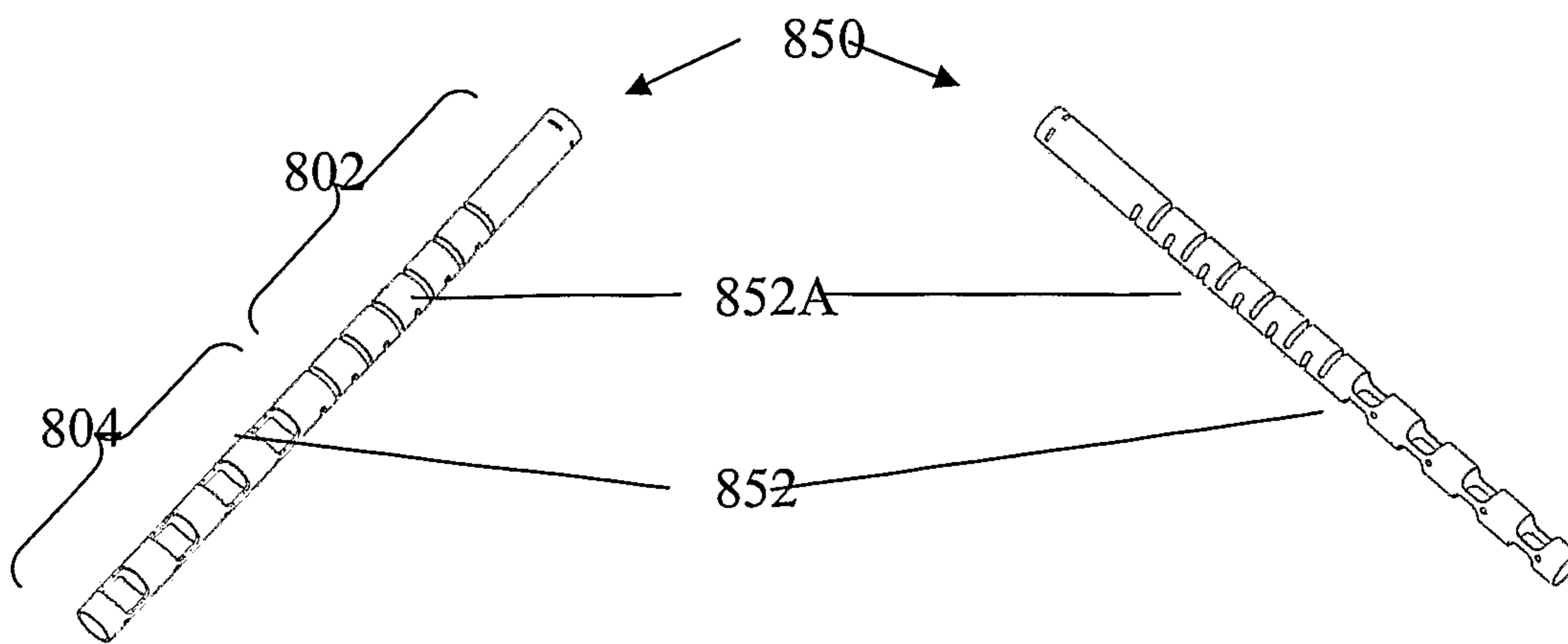


Fig 8A

Fig 8B

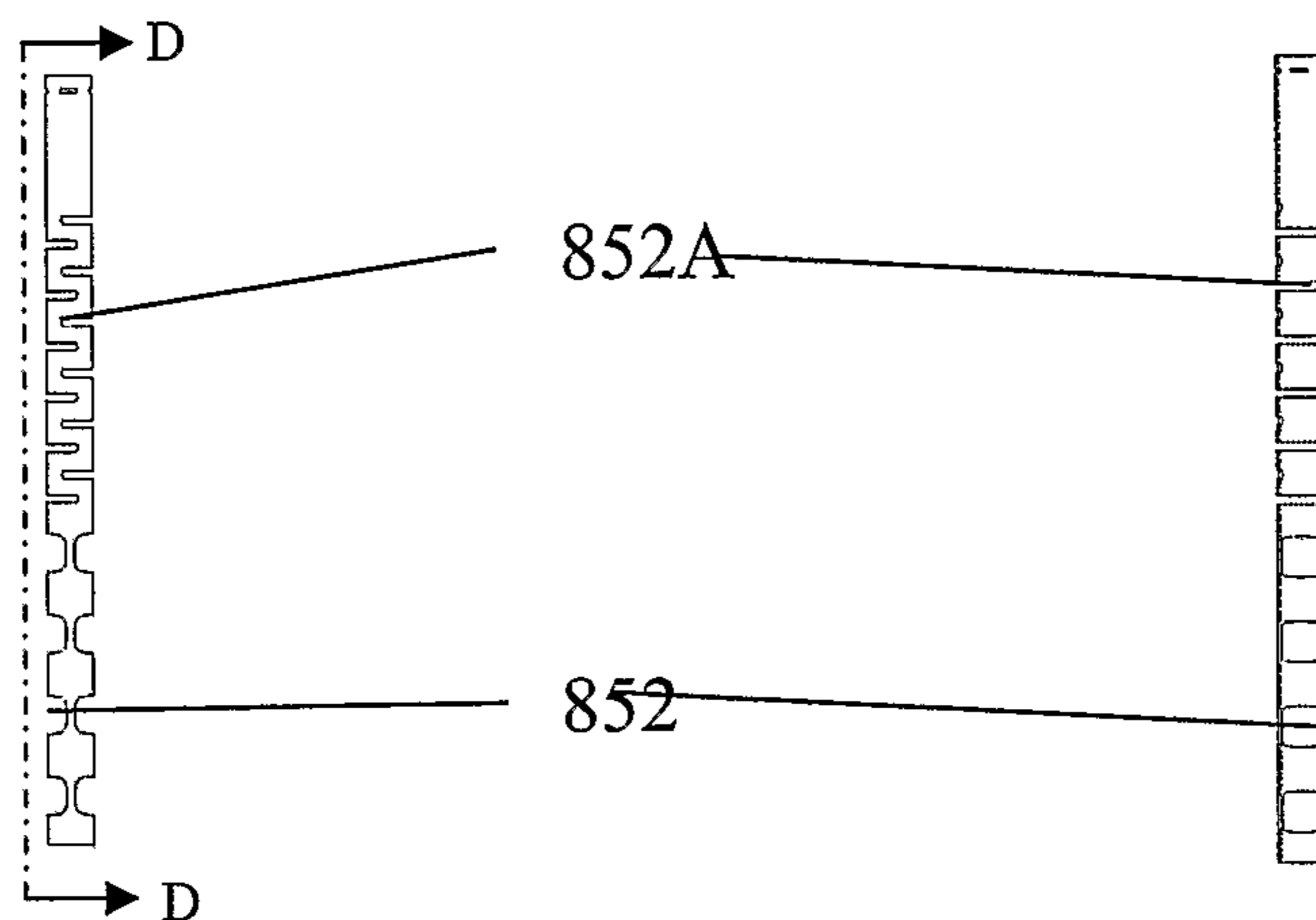


Fig 8C

Fig 8D

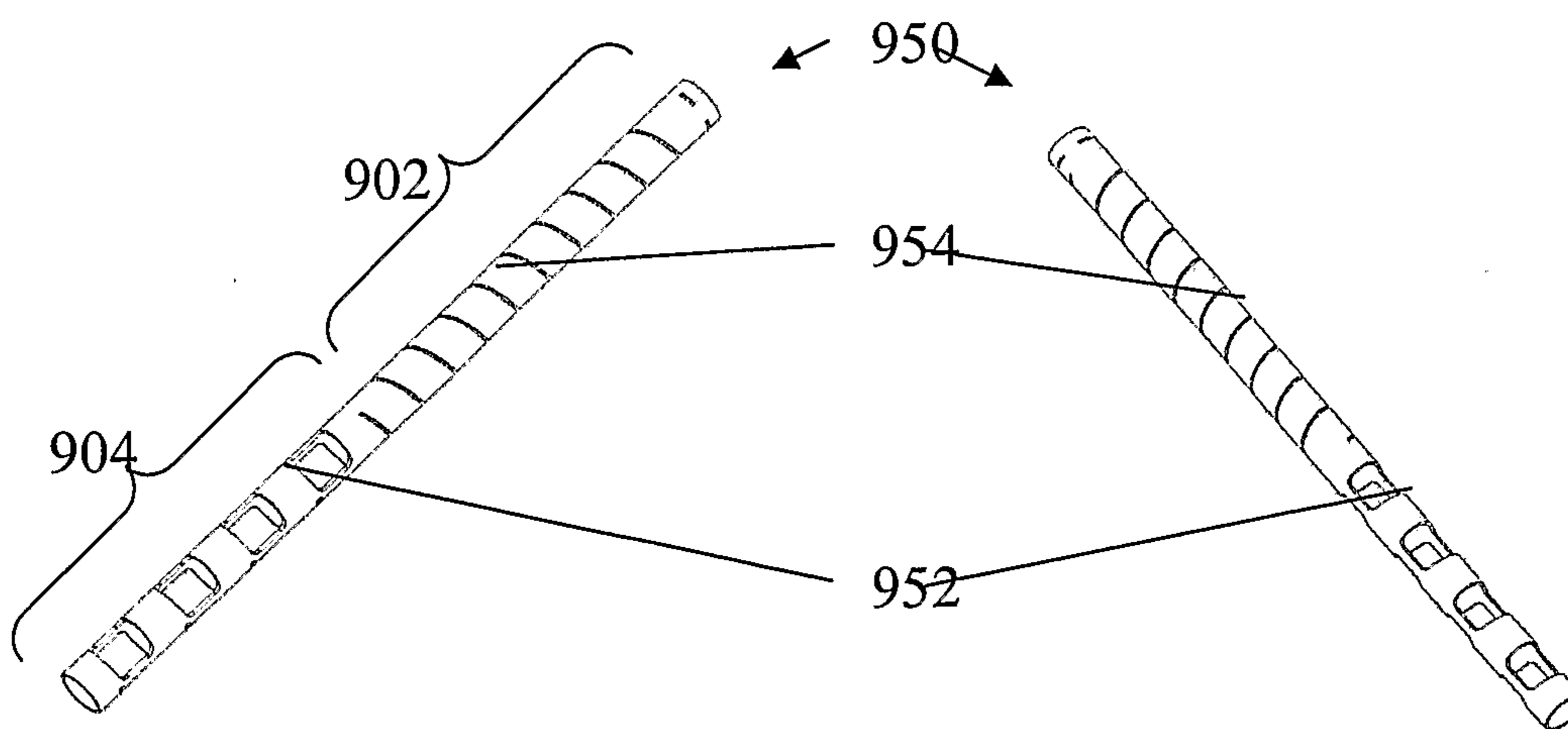


Fig 9A

Fig 9B

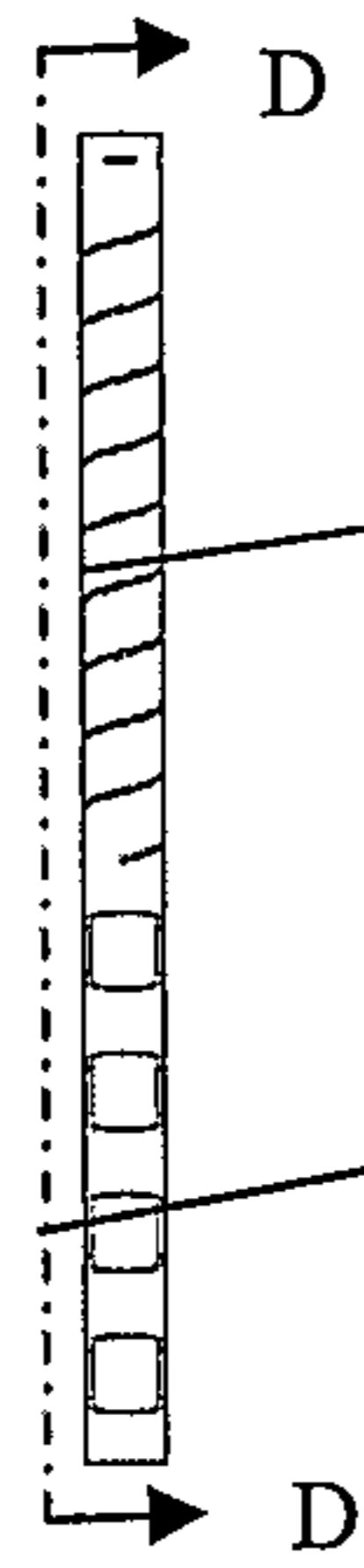


Fig 9C

954

952



Fig 9D

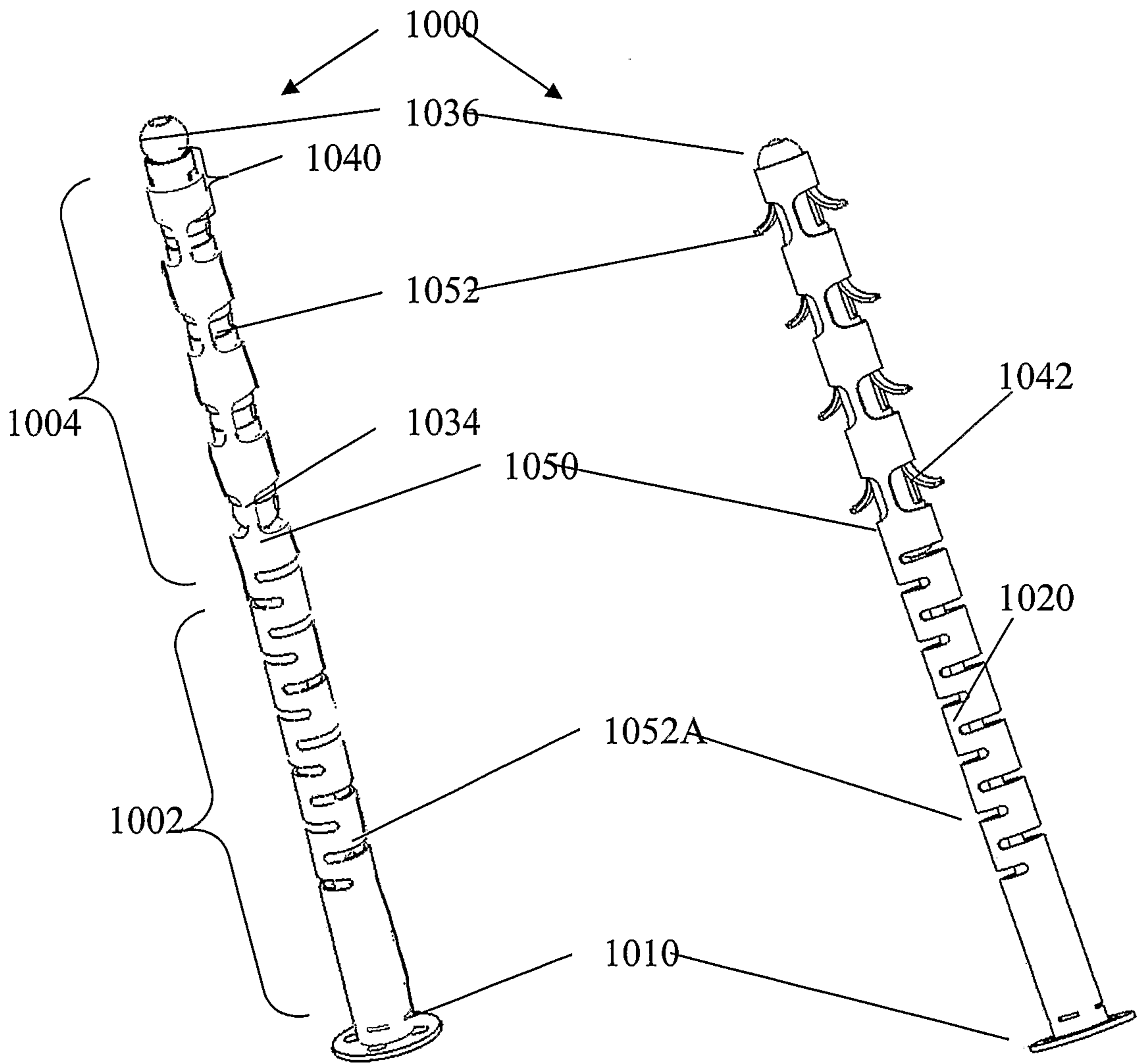


Fig 10A

Fig 10B

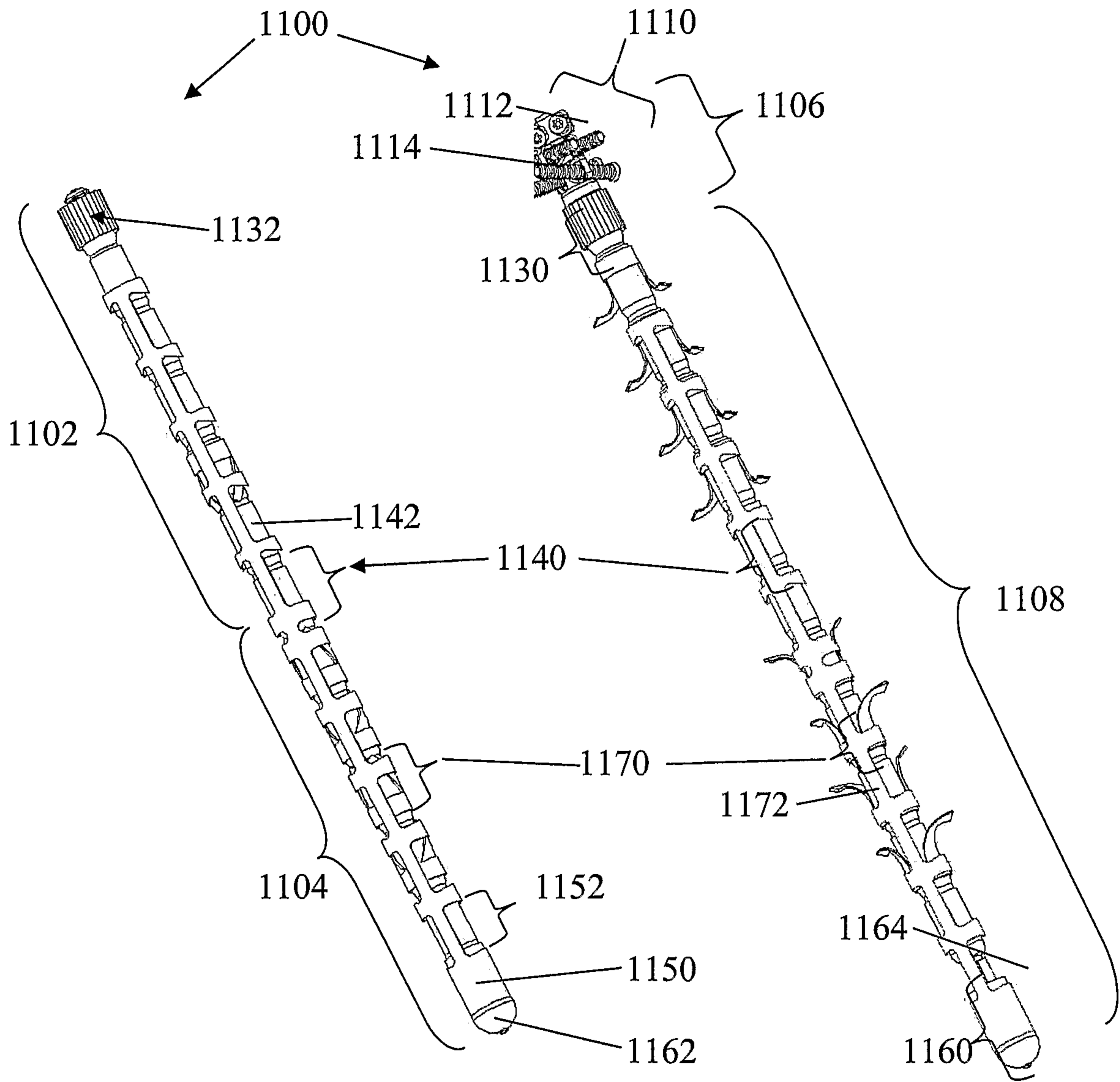


Fig 11A

Fig 11B

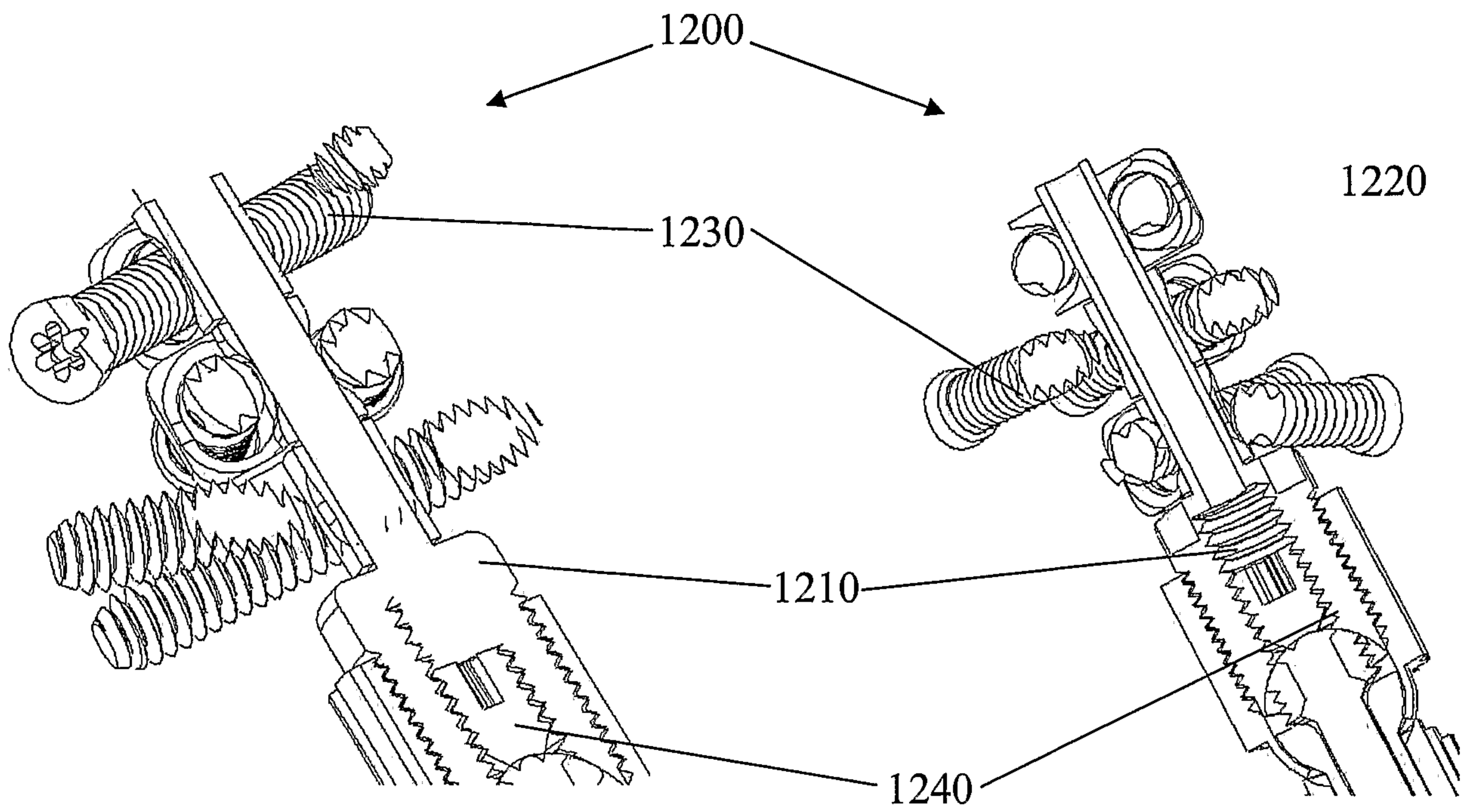


Fig 12A

Fig 12B

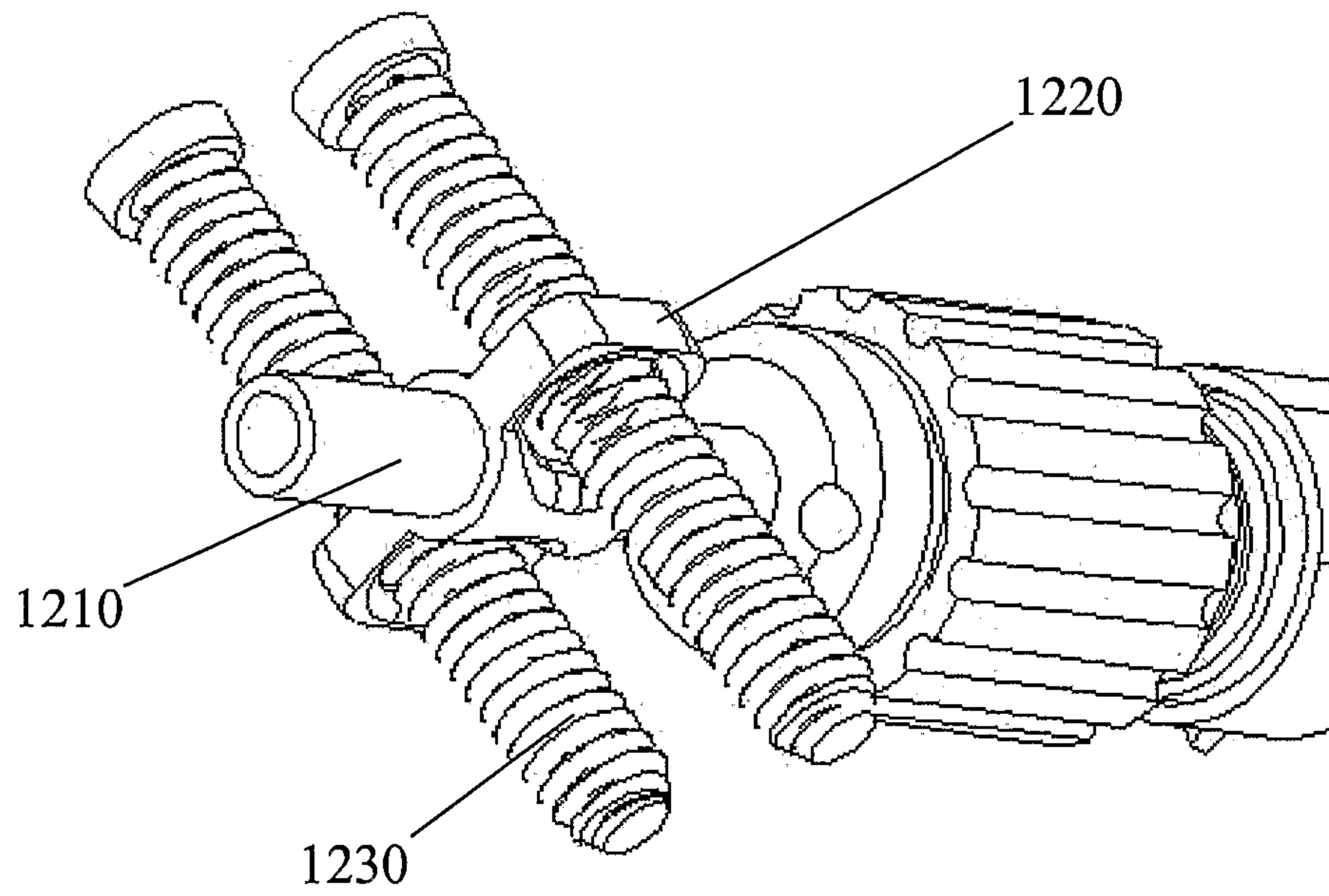


Fig 12C

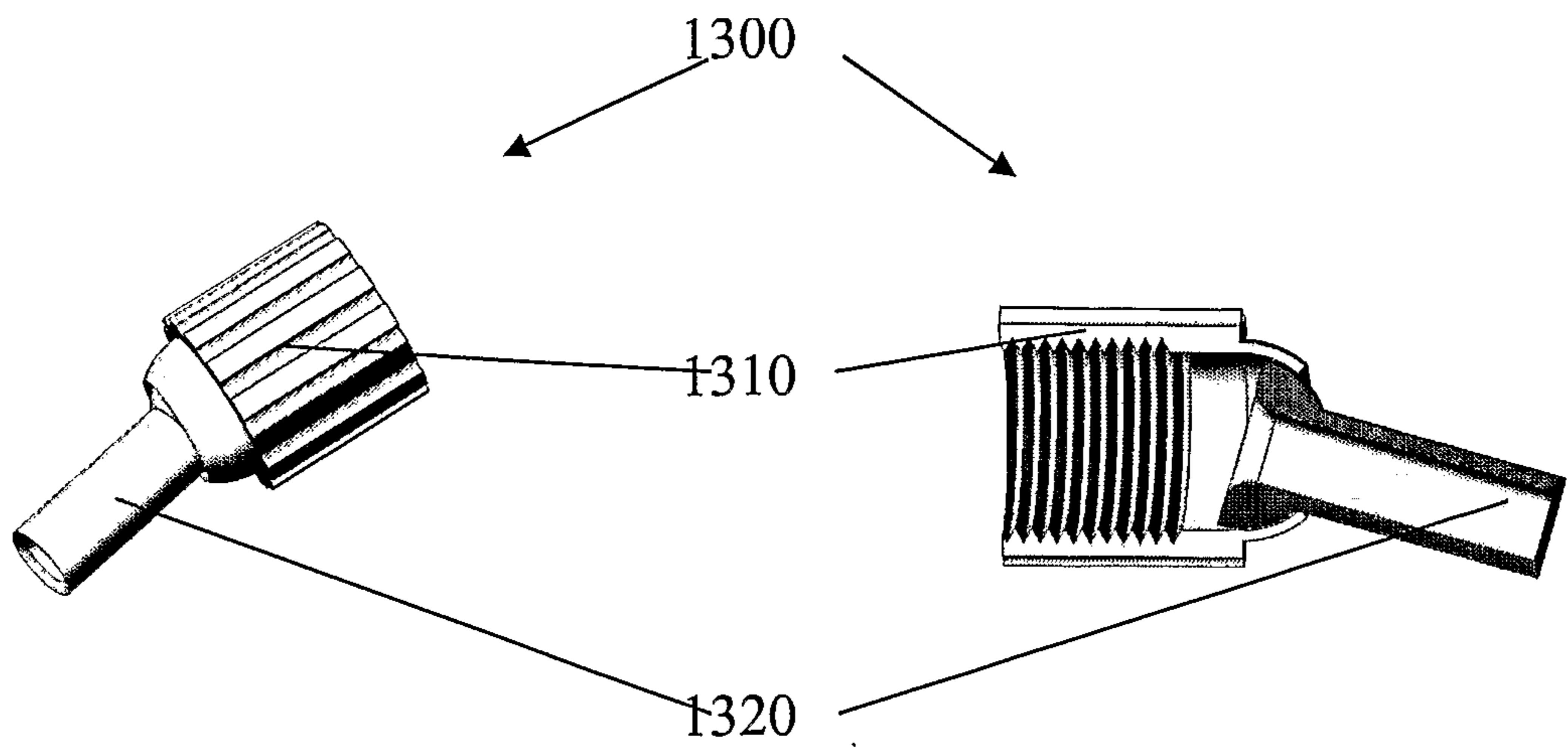


Fig 13A

Fig 13B

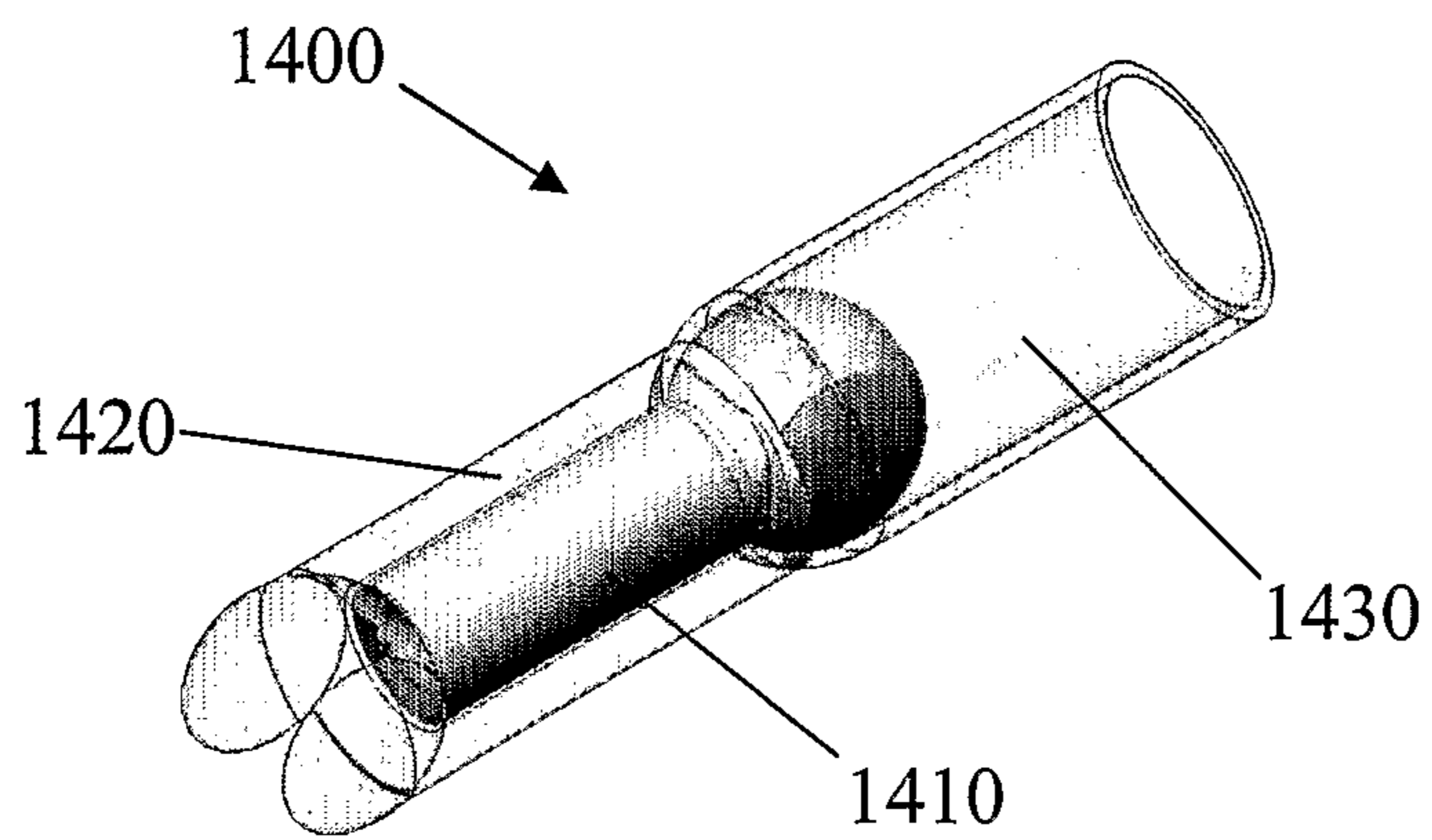


Fig 14

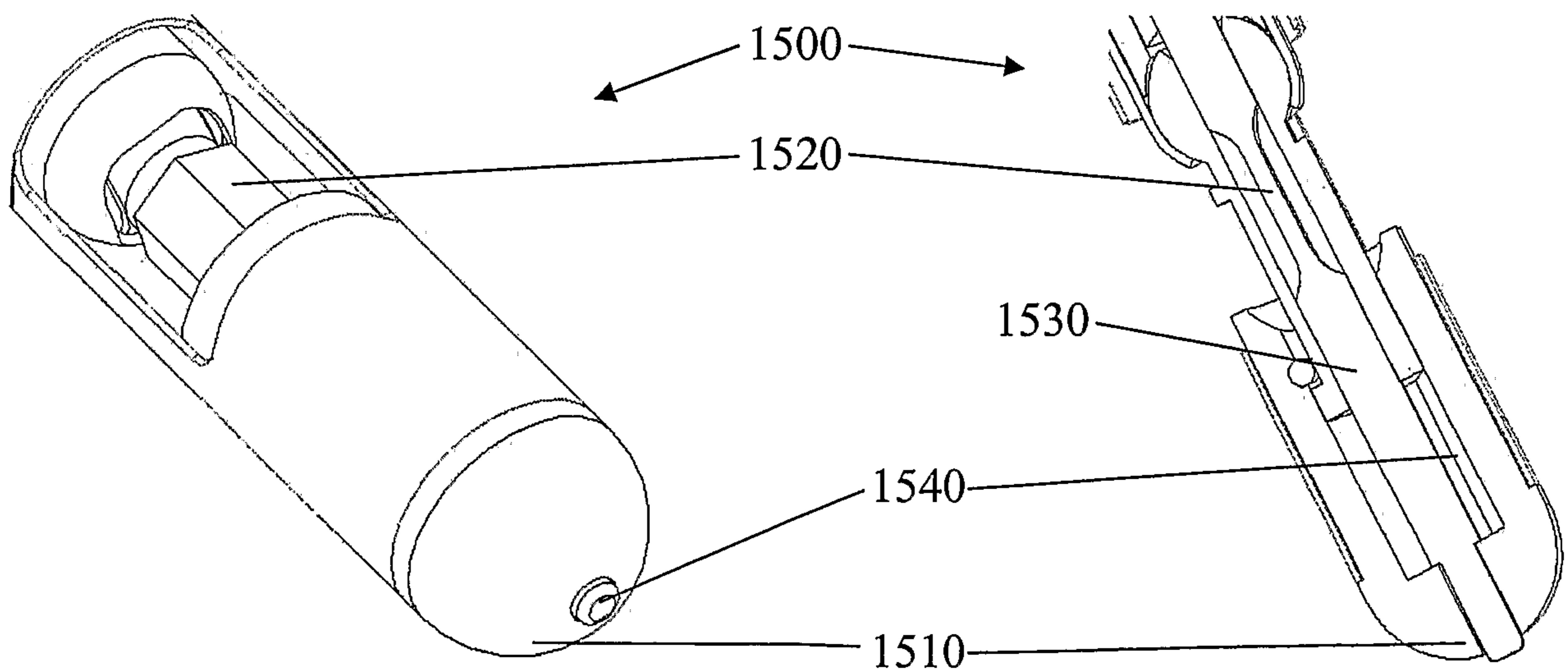


Fig 15A

Fig 15B

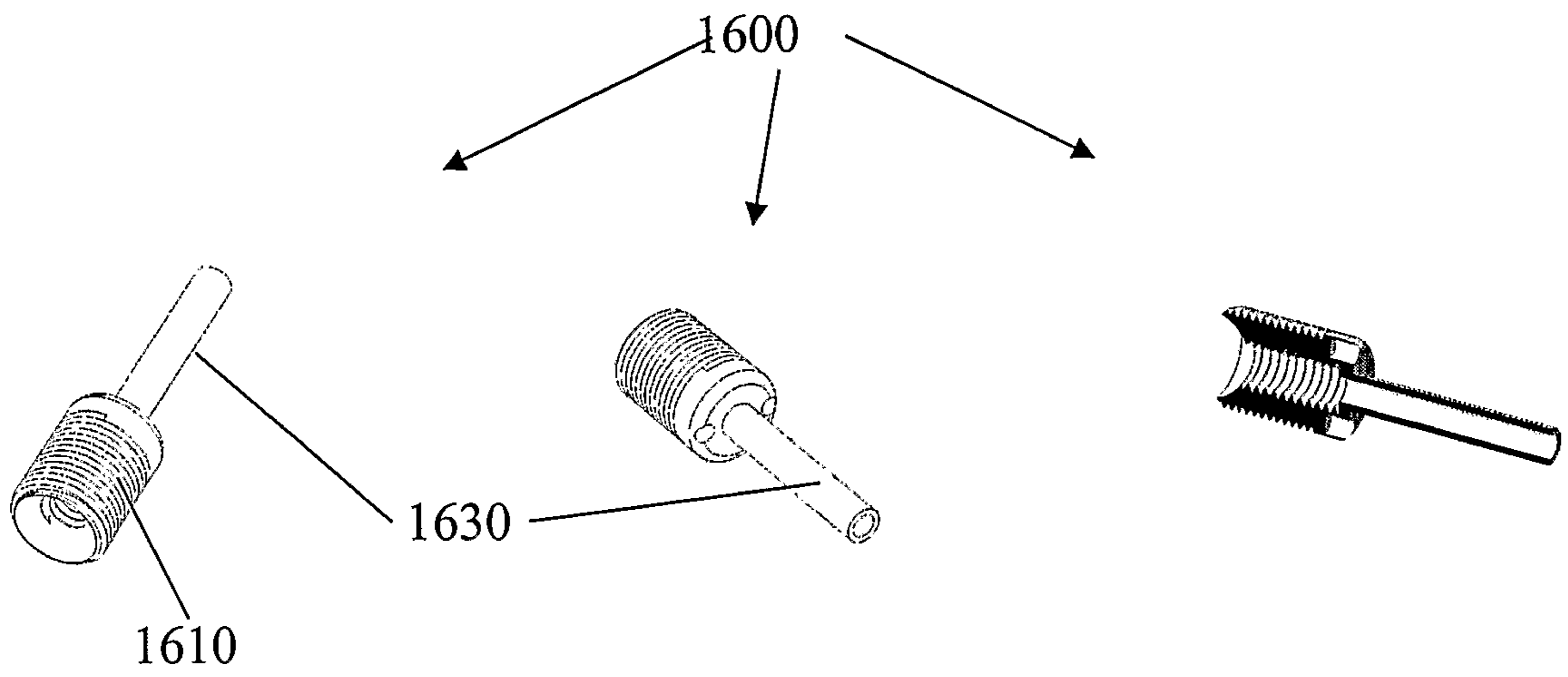


Fig 16A

Fig 16B

Fig 16C

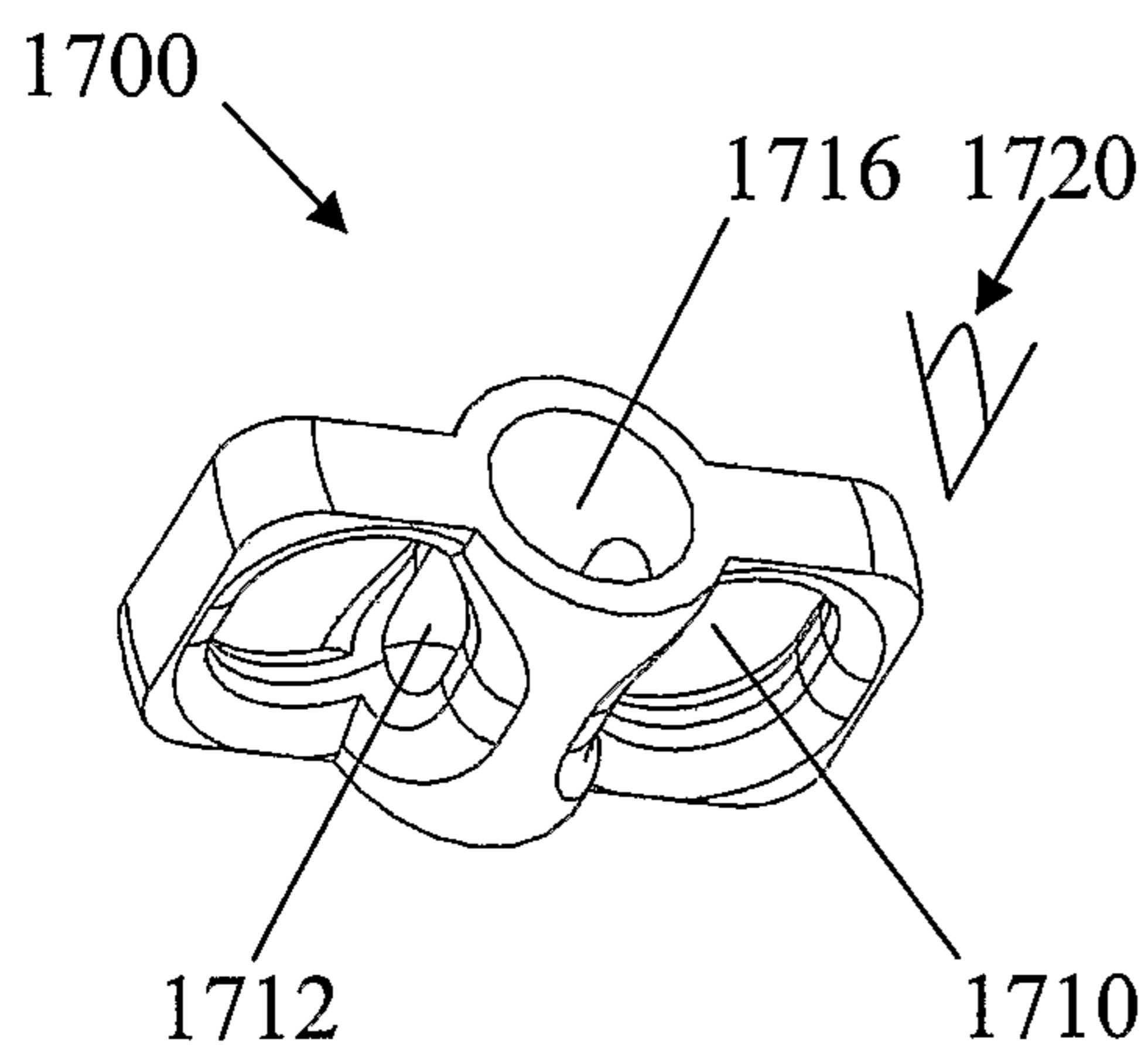


Fig 17

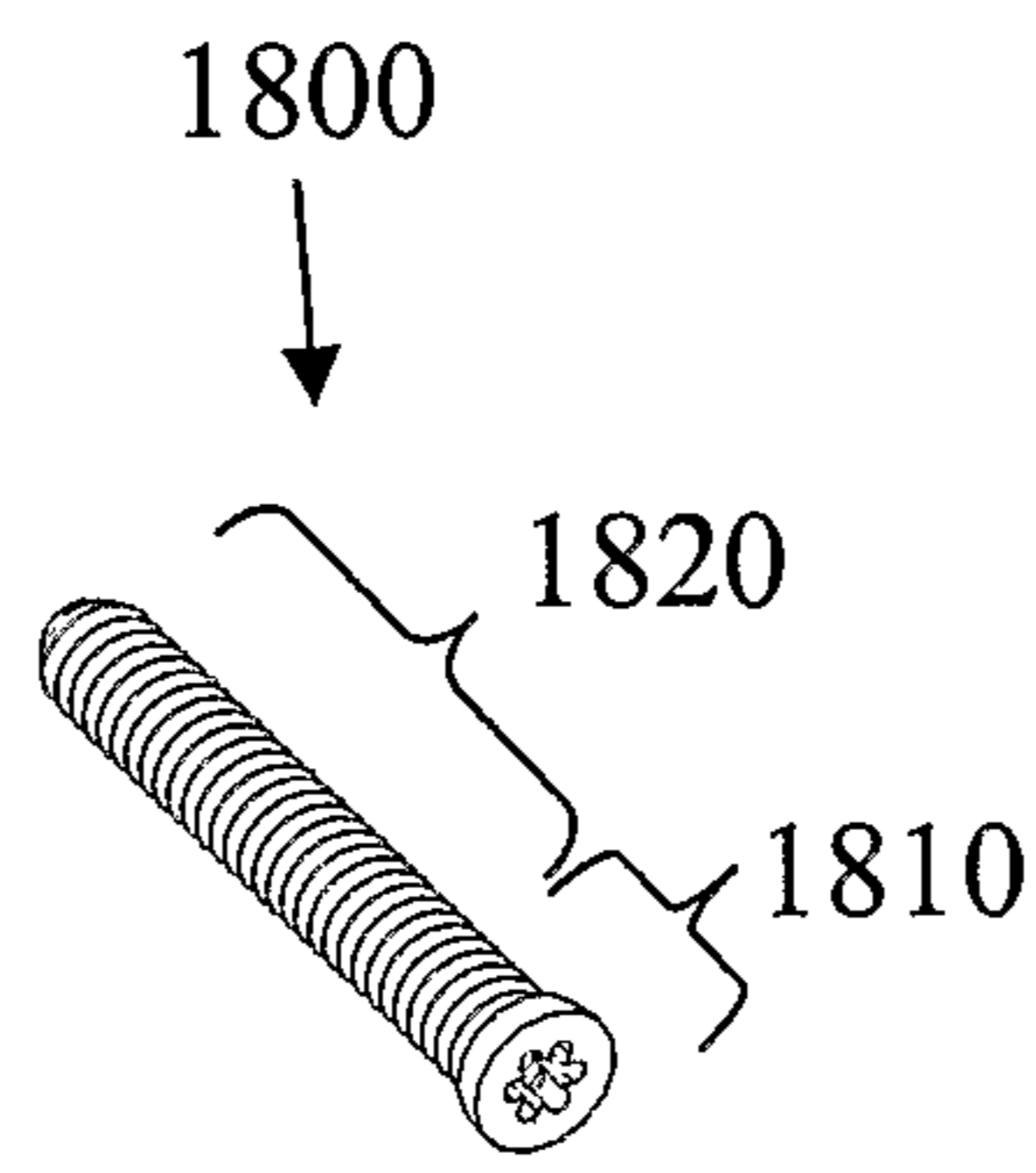


Fig 18

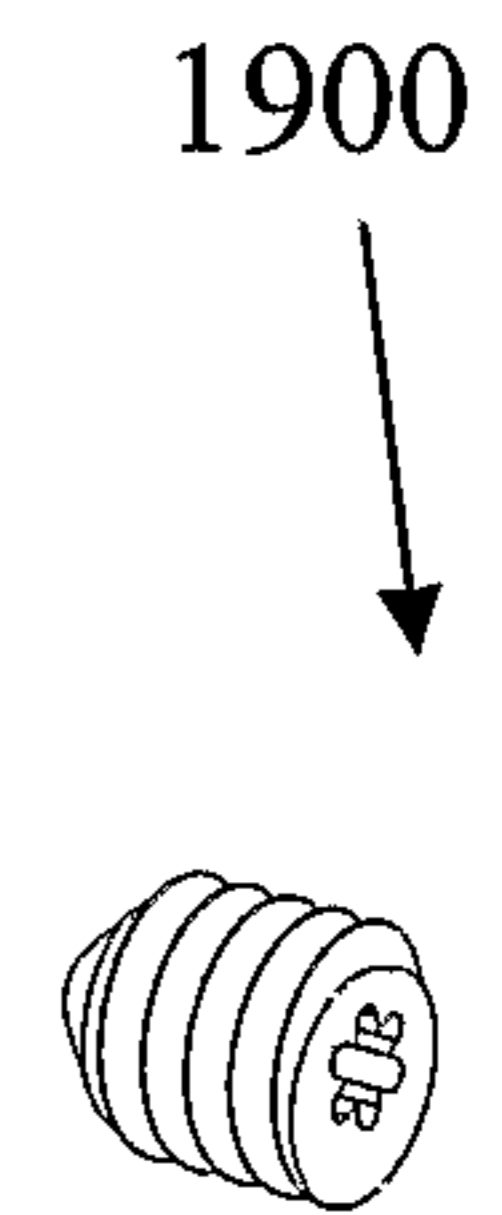


Fig 19

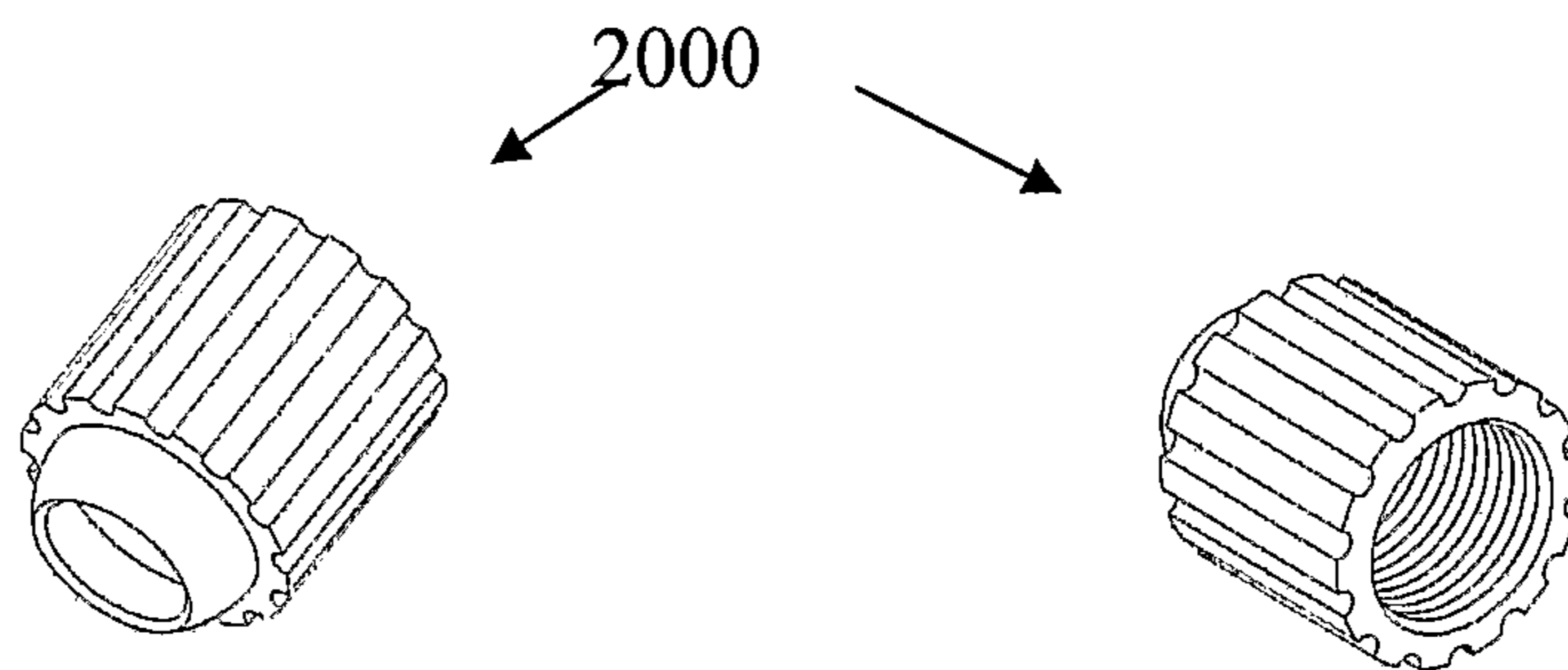


Fig 20A

Fig 20B

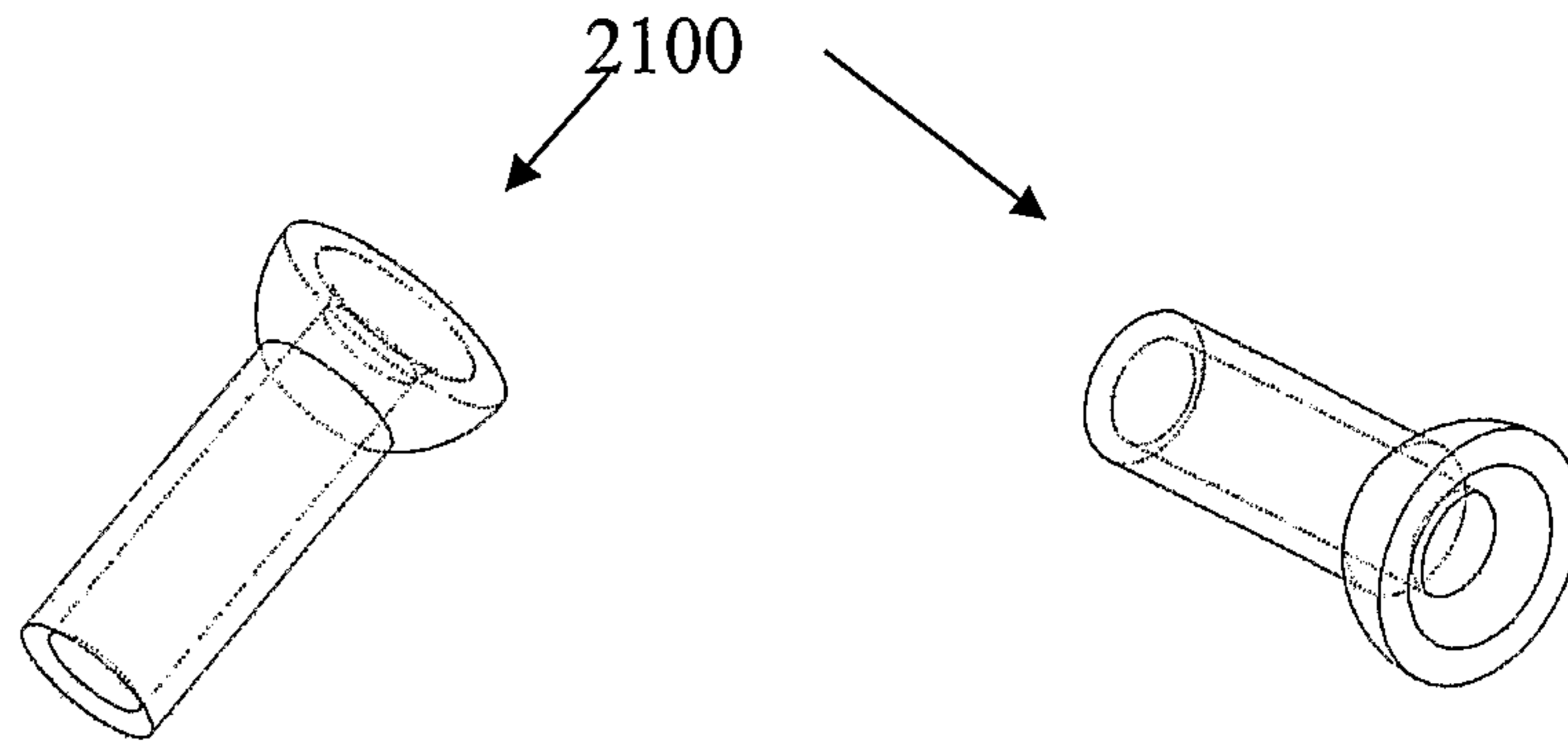


Fig 21A

Fig 21B

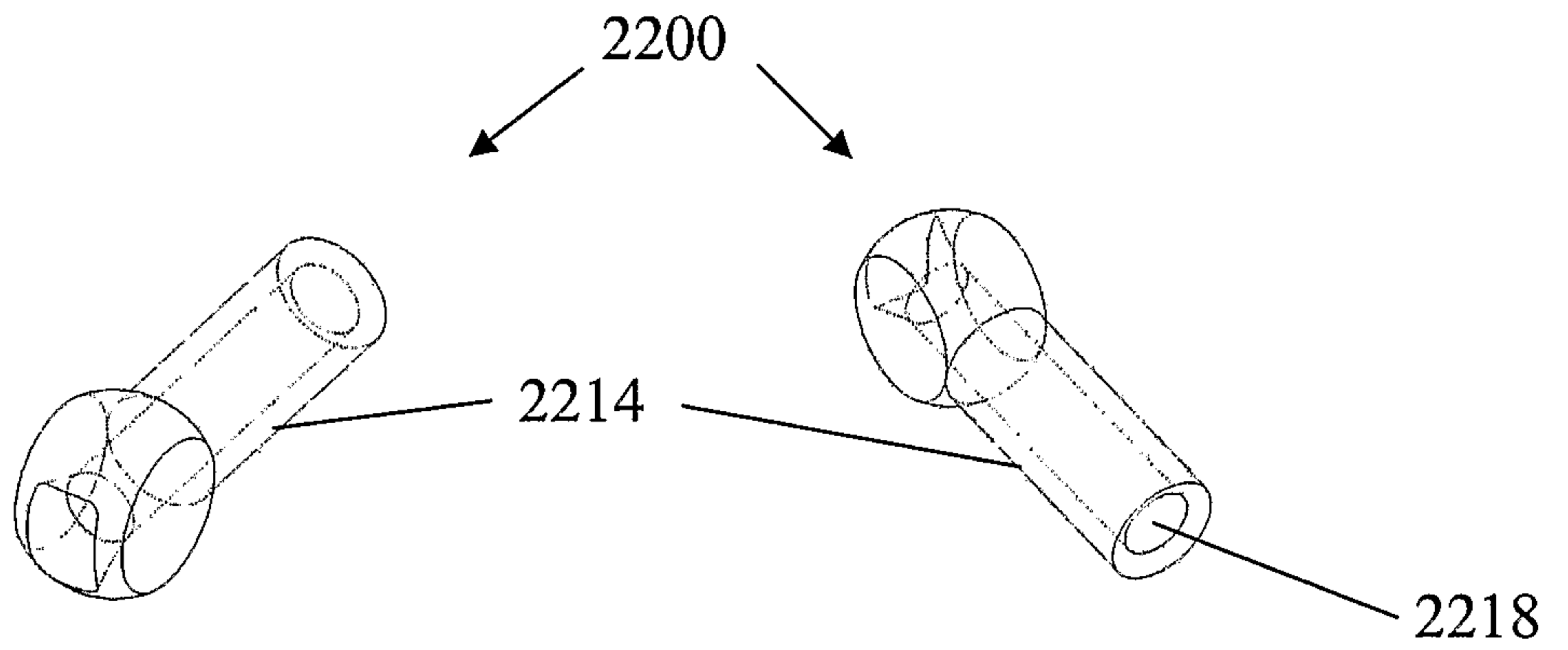


Fig 22A

Fig 22B

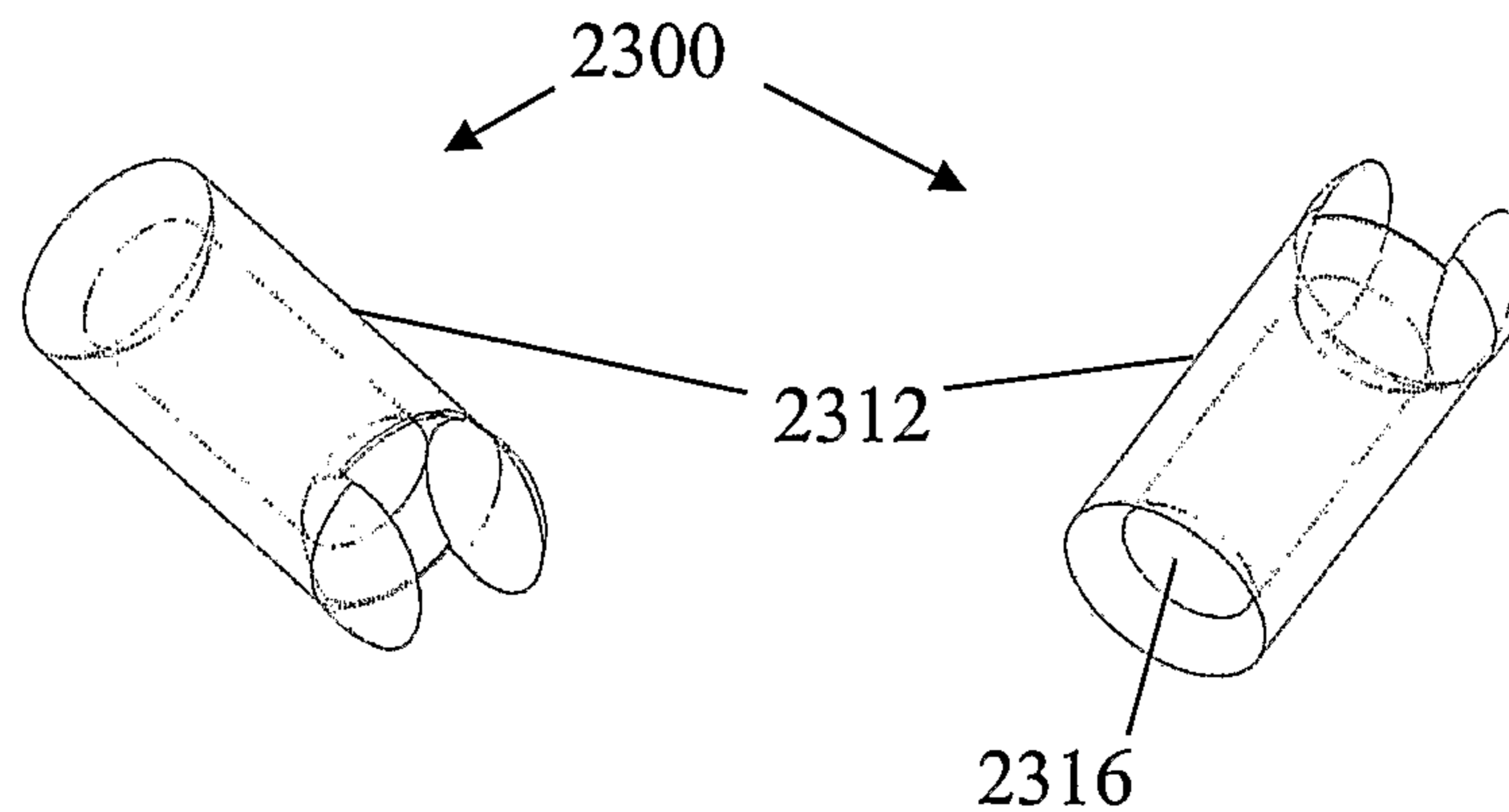


Fig 23A

Fig 23B

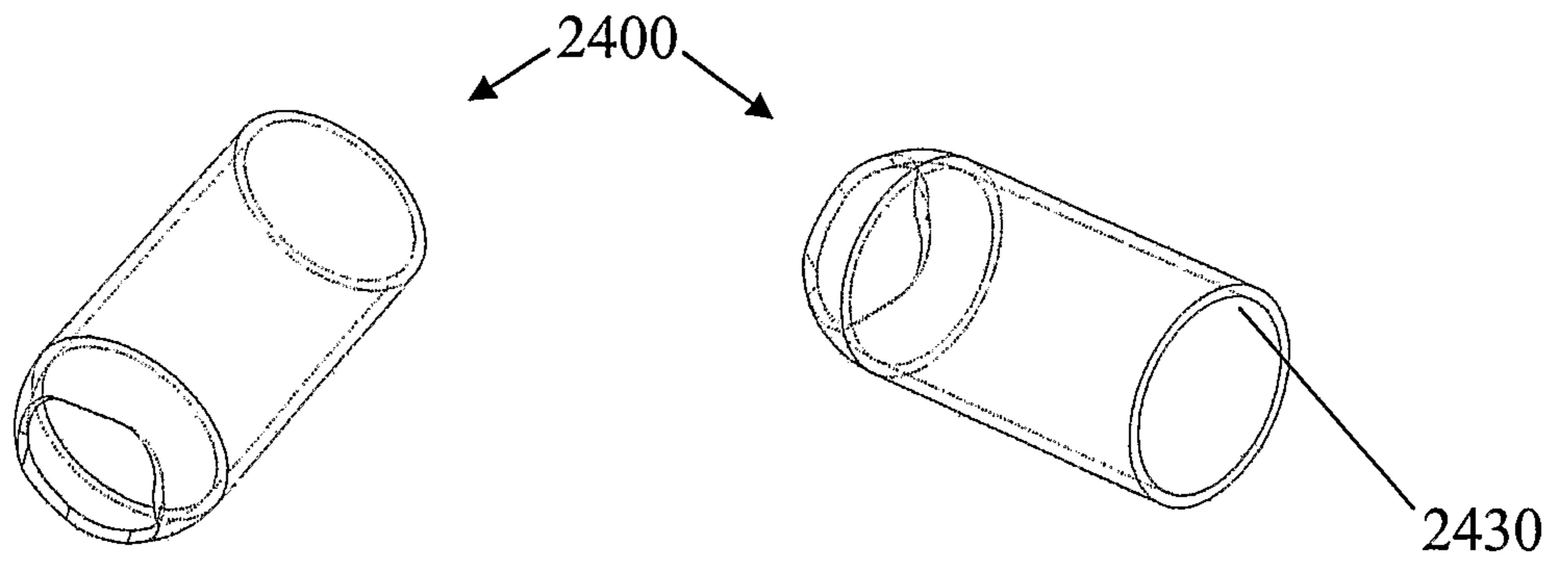


Fig 24A

Fig 24B

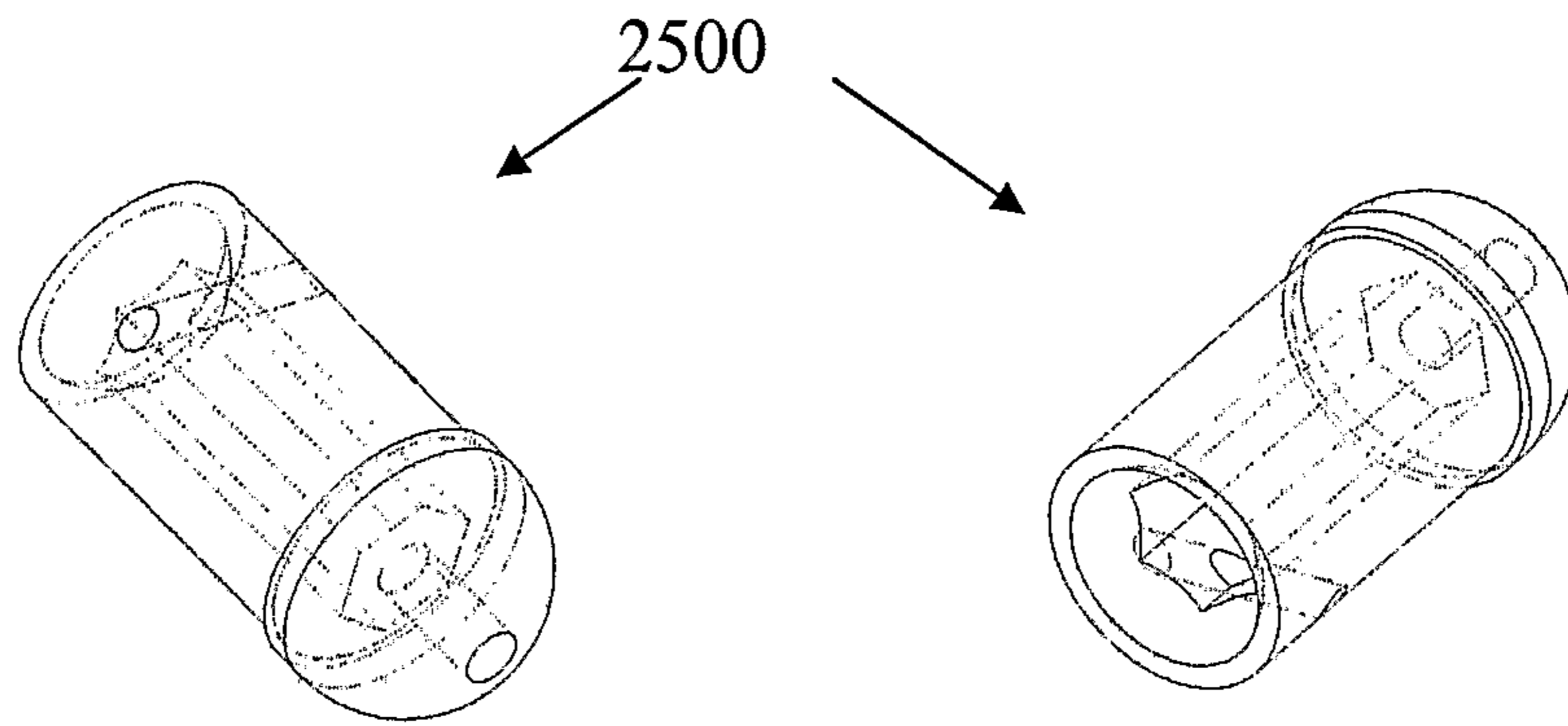


Fig 25A

Fig 25B

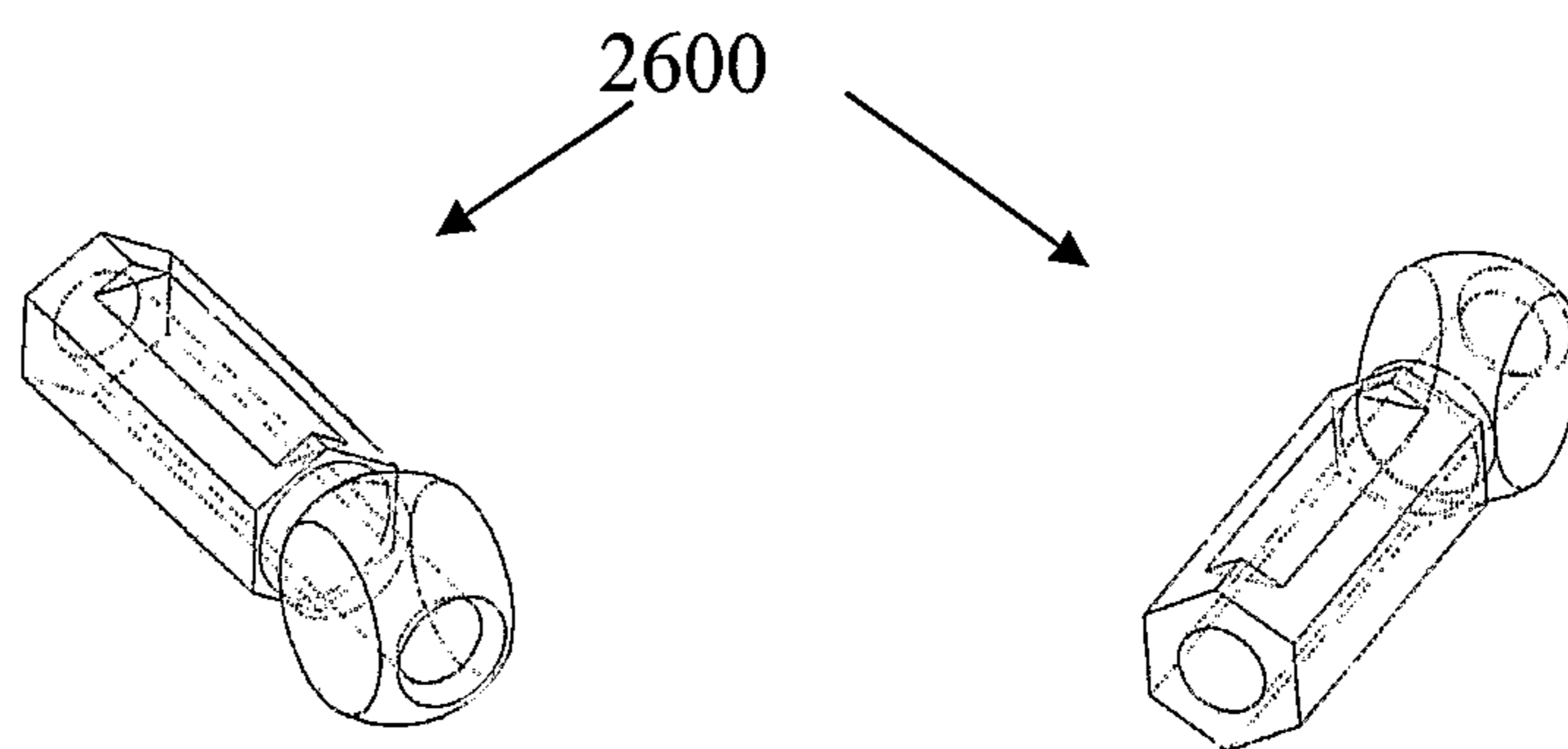


Fig 26A

Fig 26B

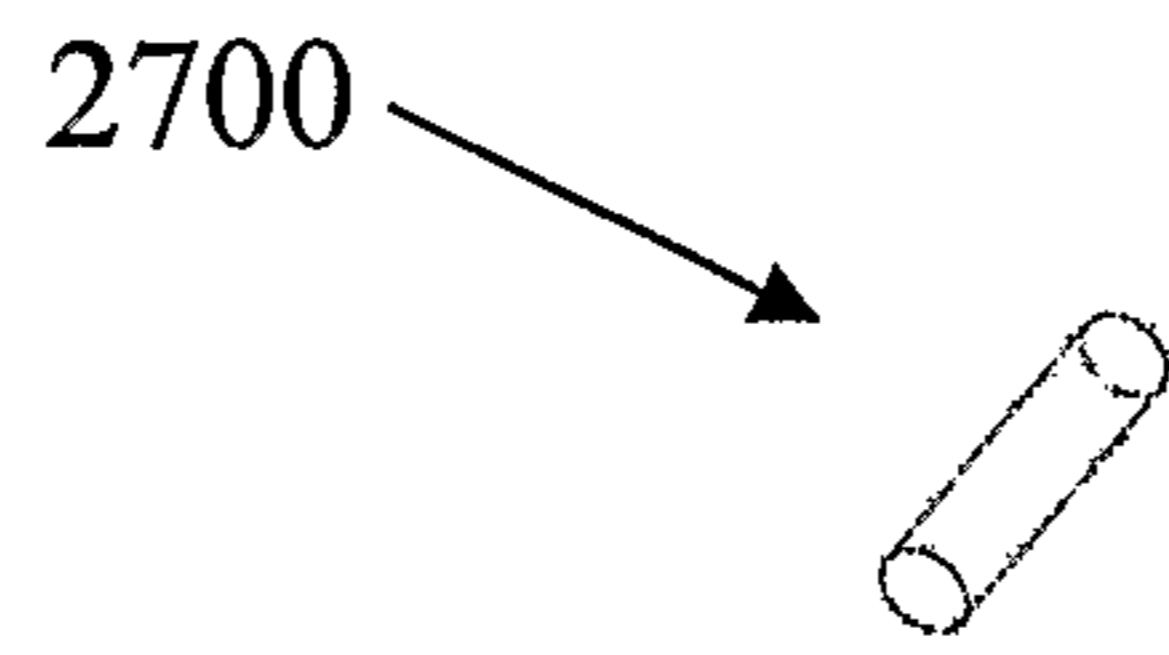


Fig 27

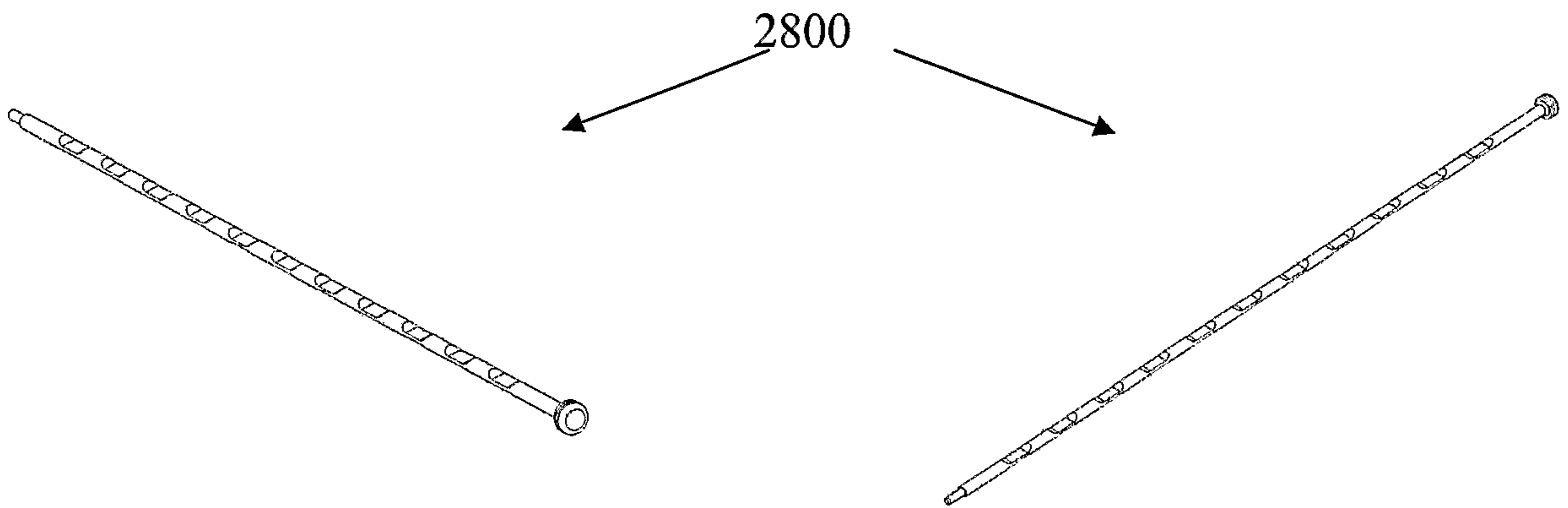


Fig 28A

Fig 28B

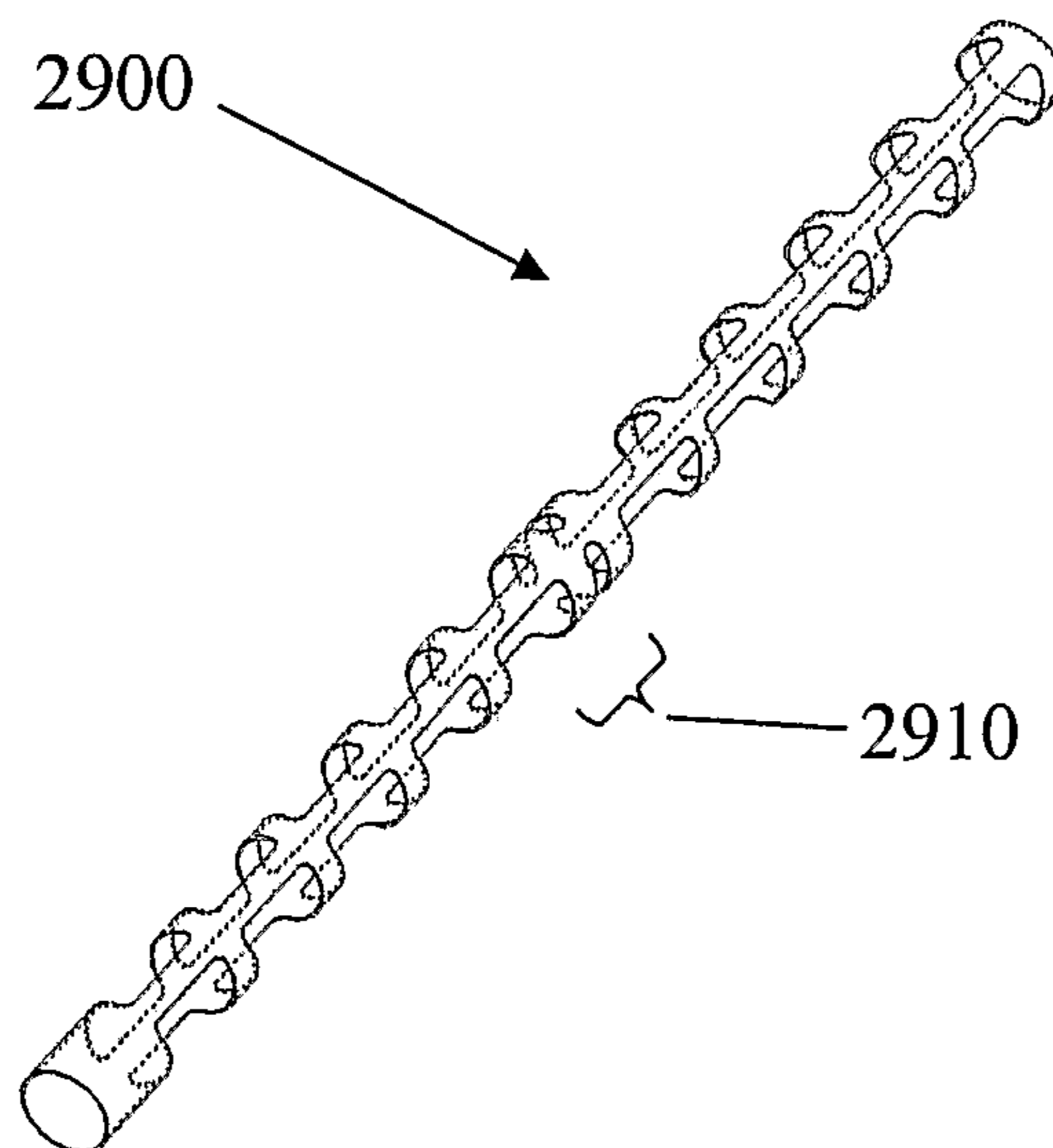


Fig 29

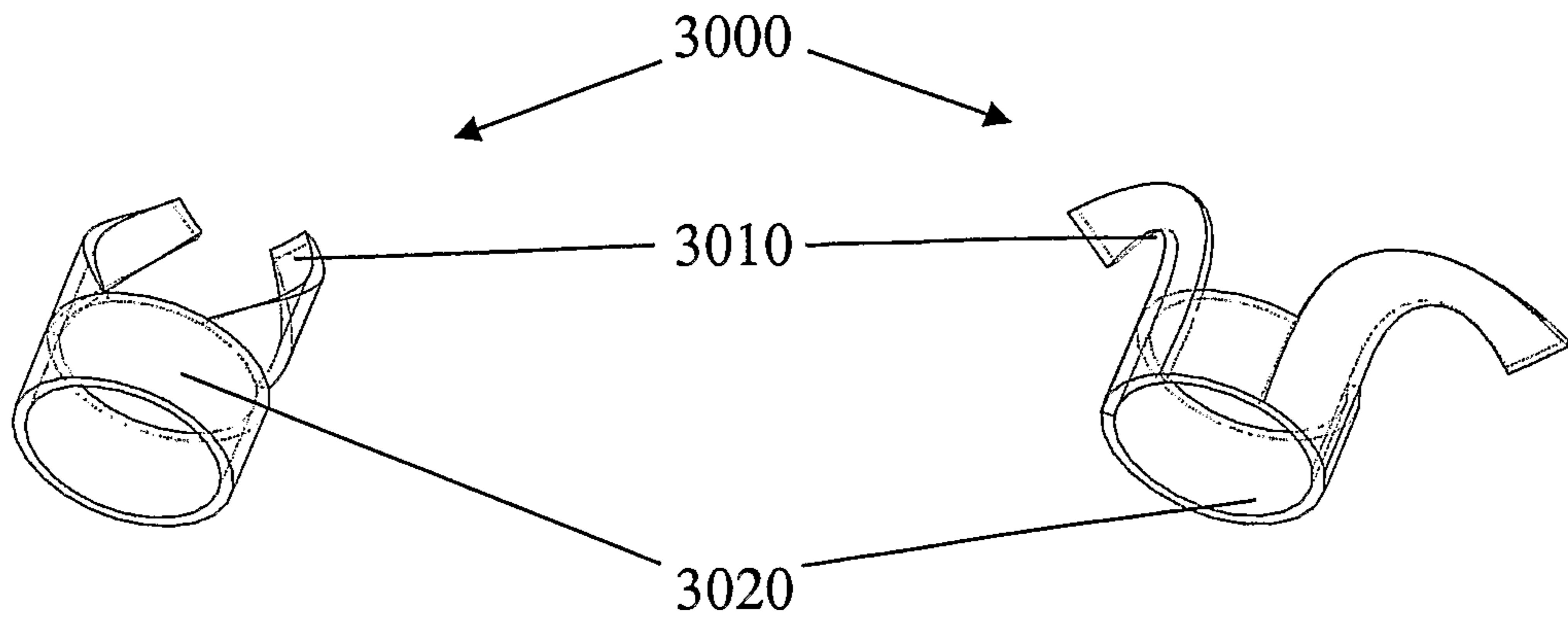


Fig 30A

Fig 30B

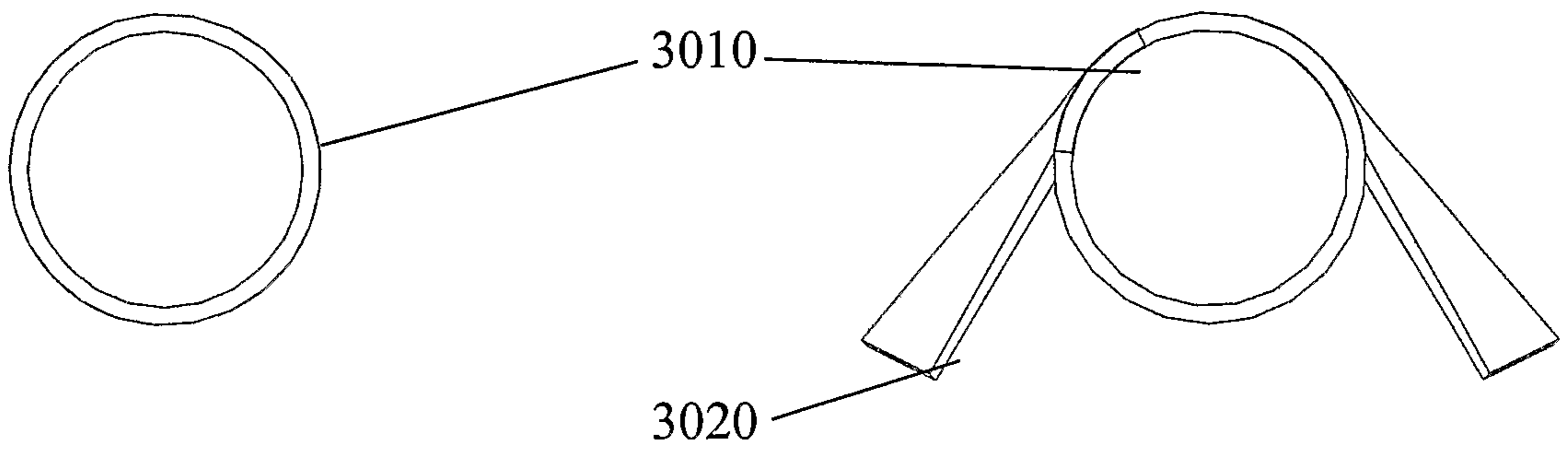


Fig 30C

Fig 30D

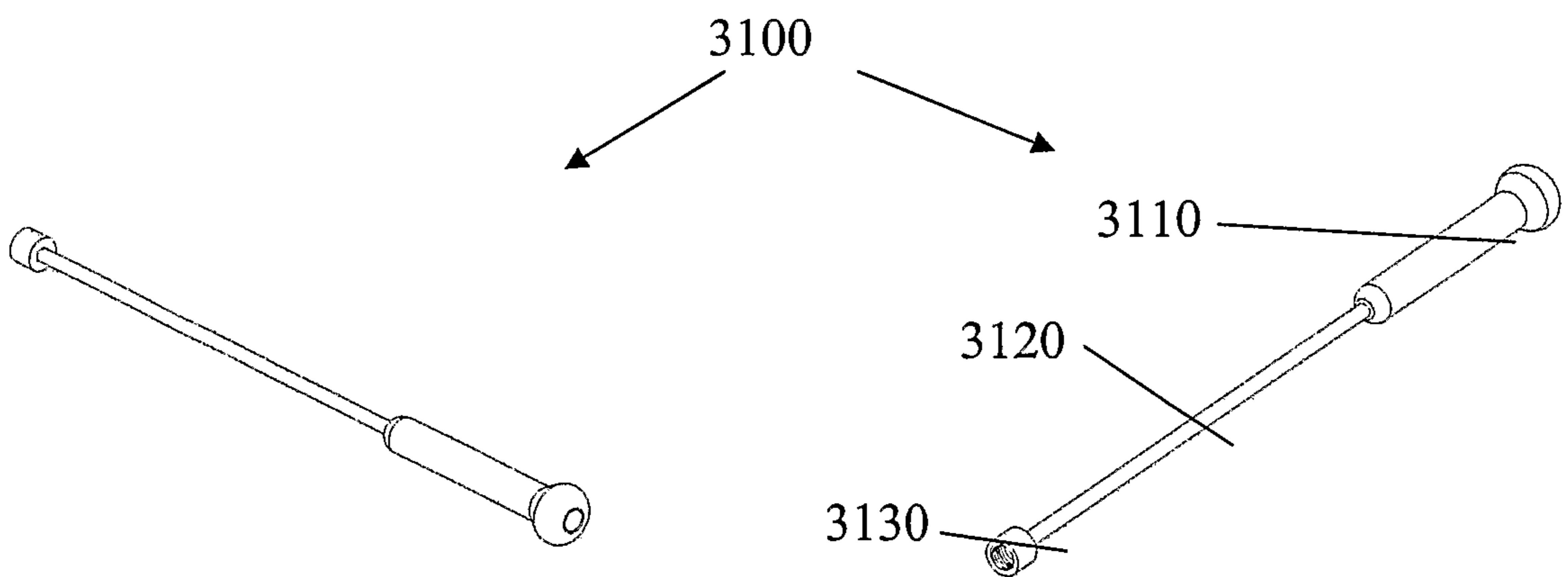


Fig 31A

Fig 31B

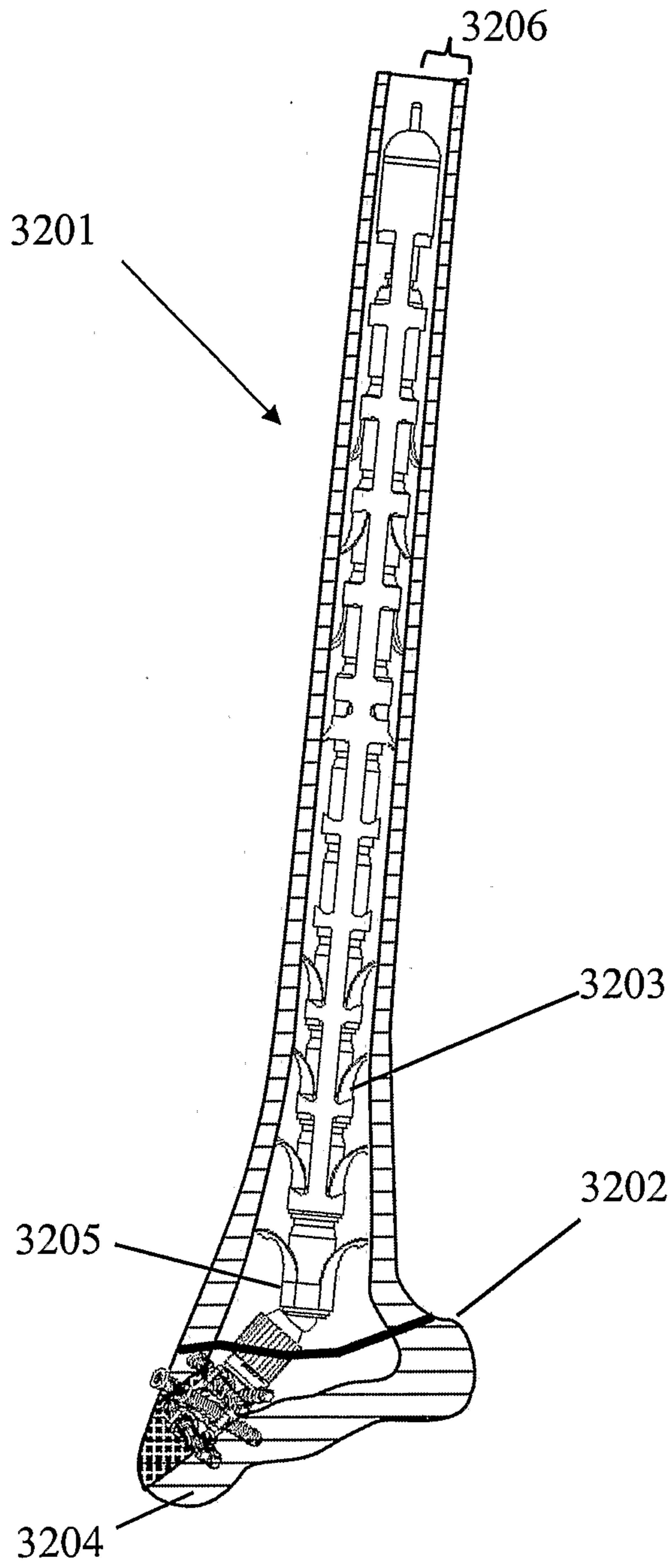


Fig 32

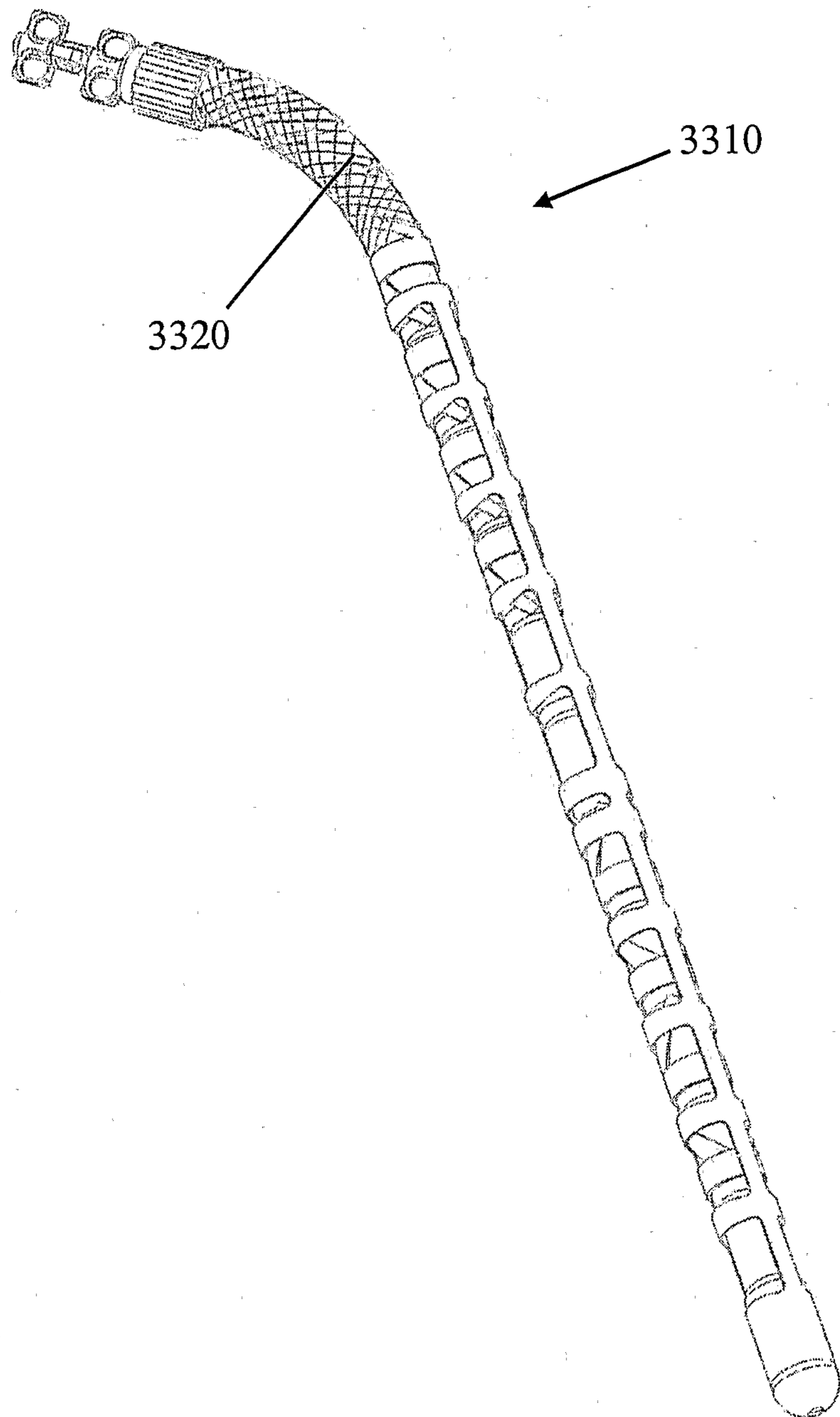


Fig 33

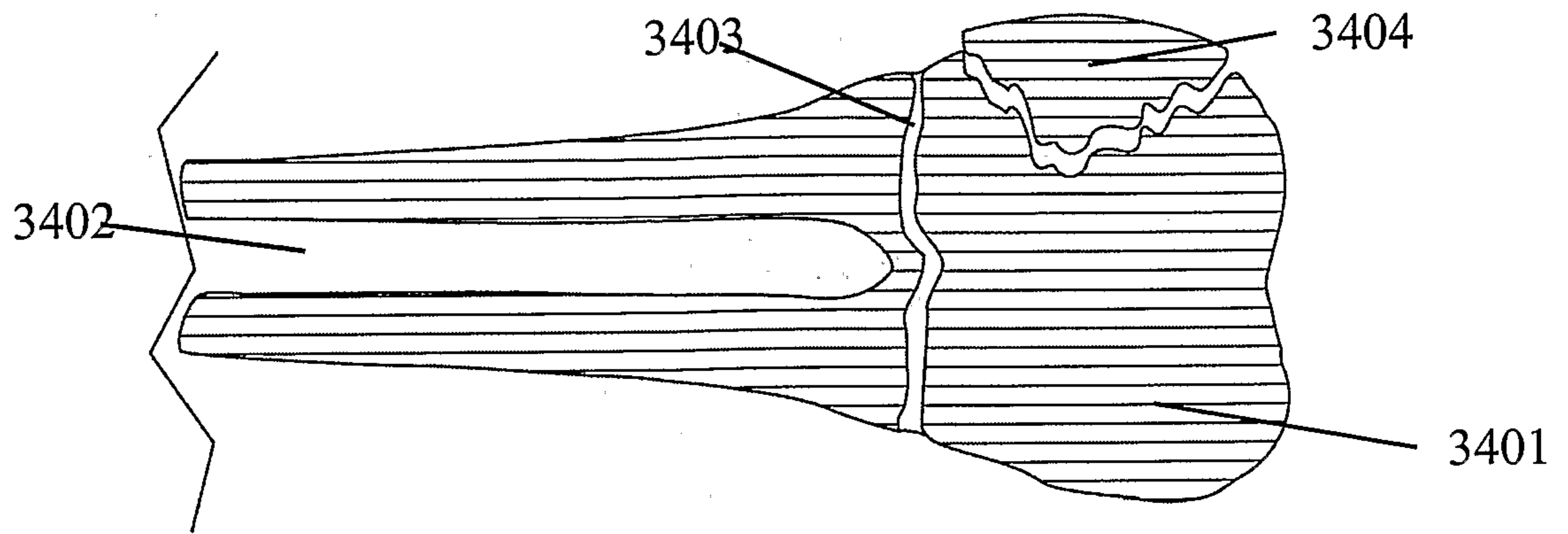


Fig 34

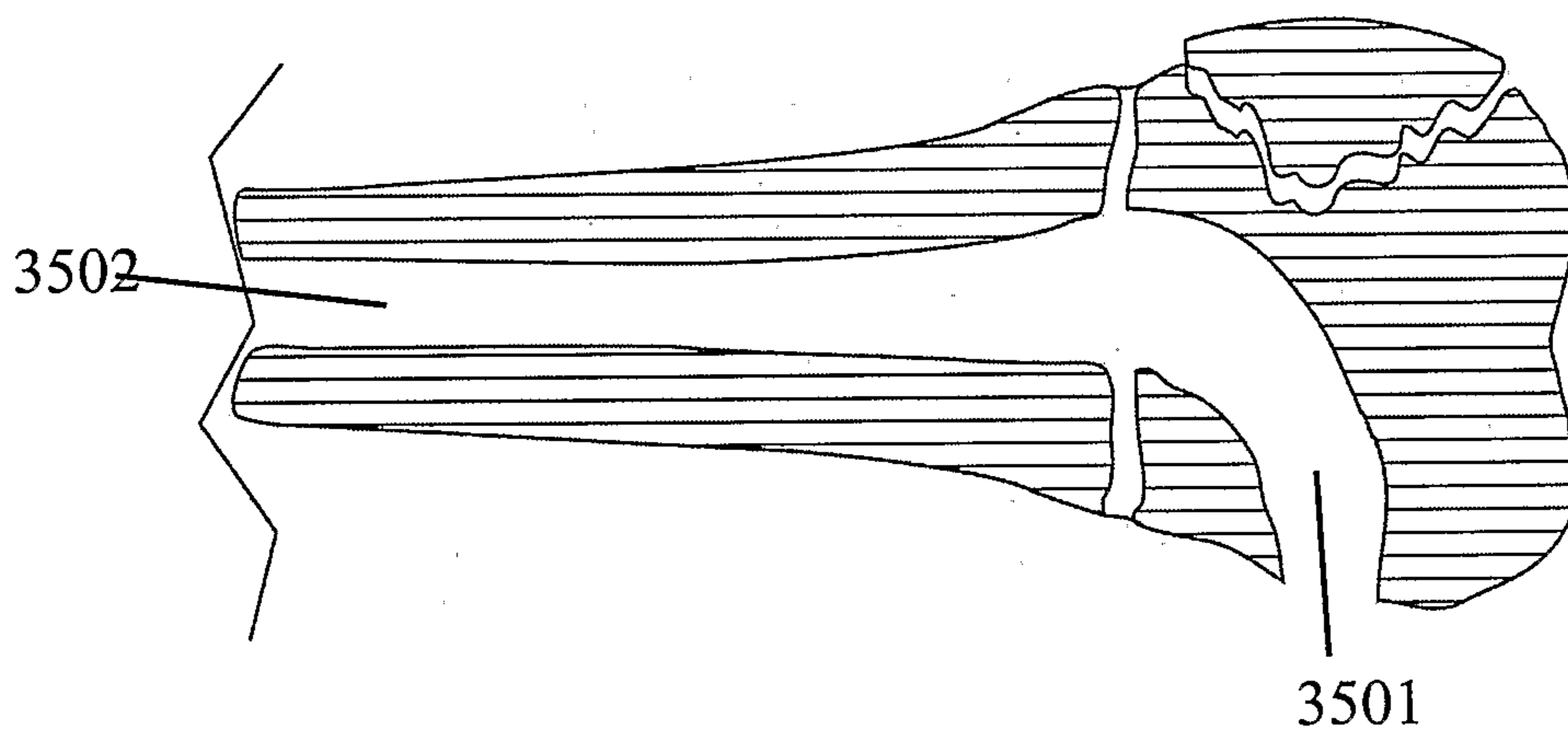


Fig 35

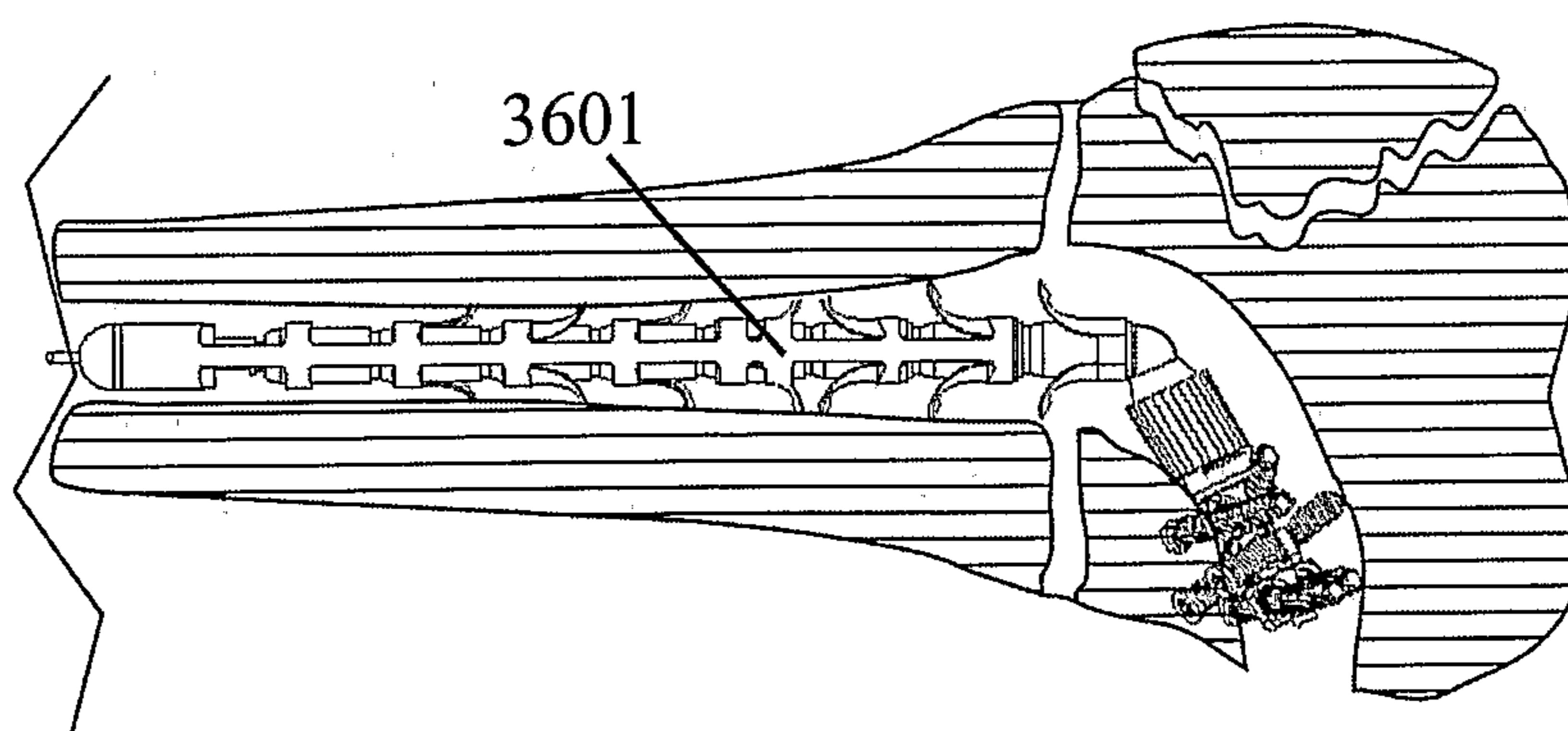


Fig 36

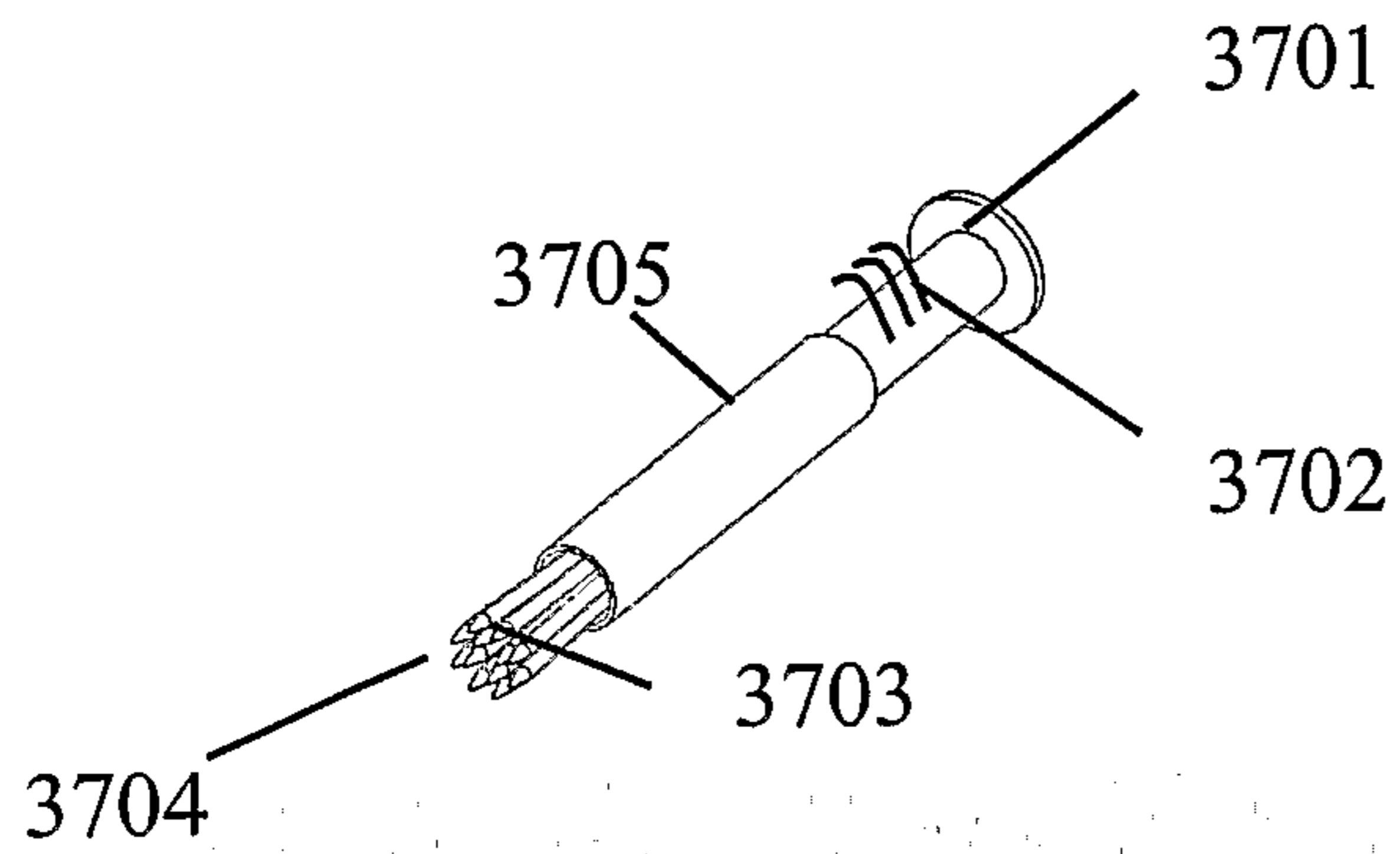


Fig 37

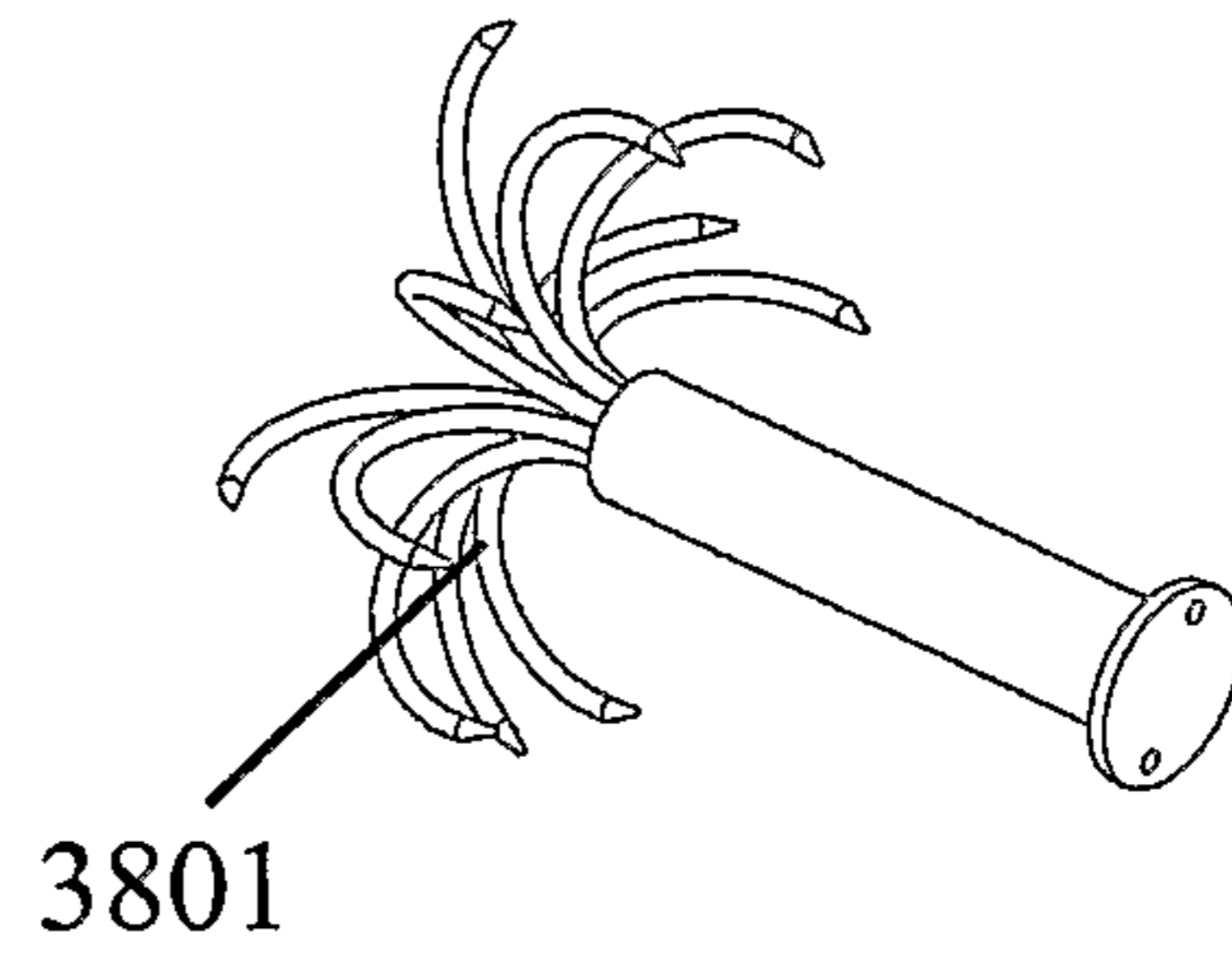


Fig 38

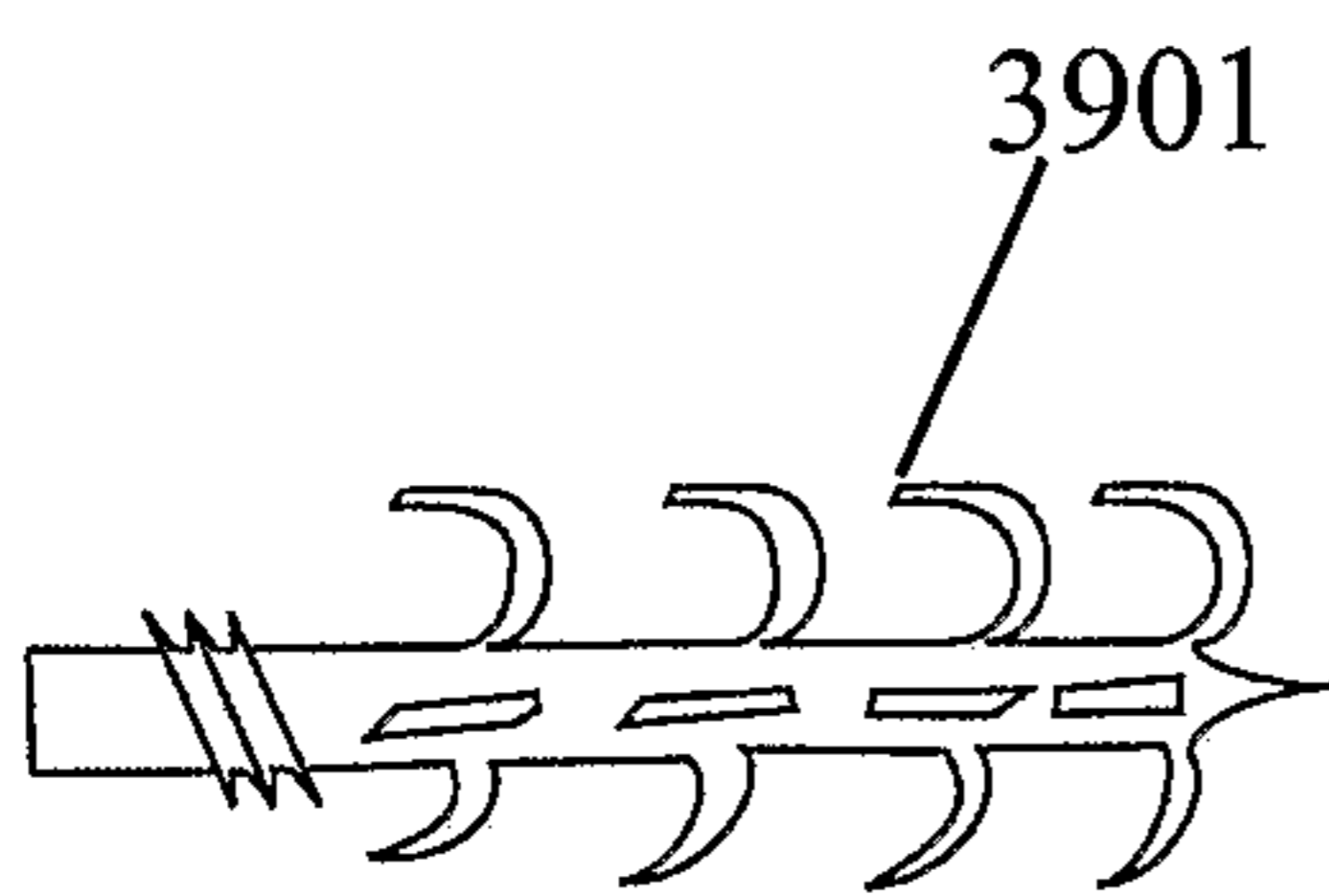


Fig 39

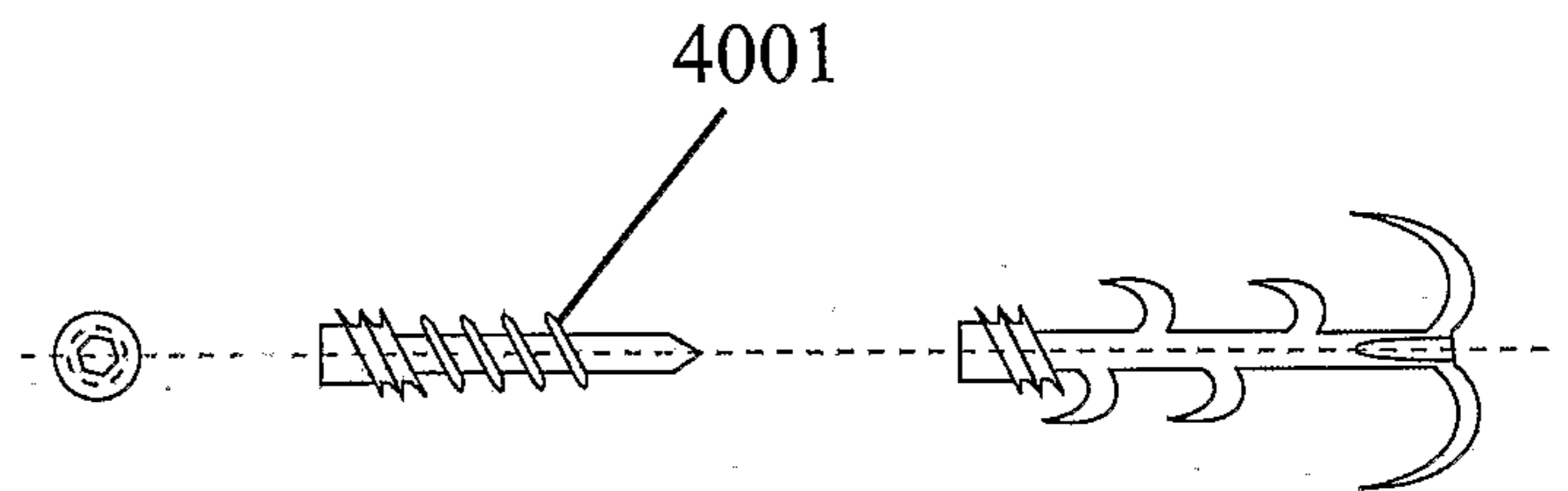


Fig 40

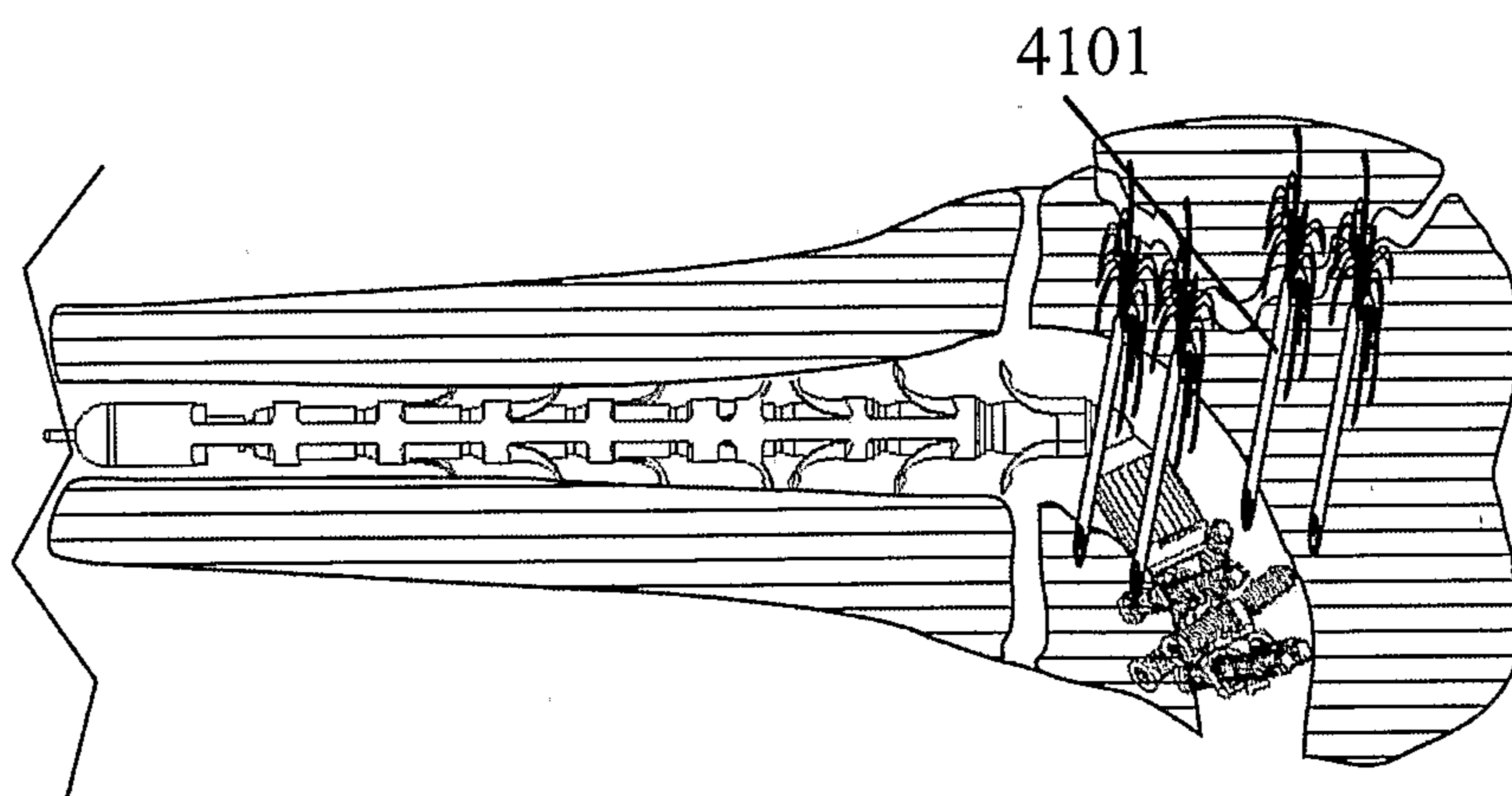


Fig 41

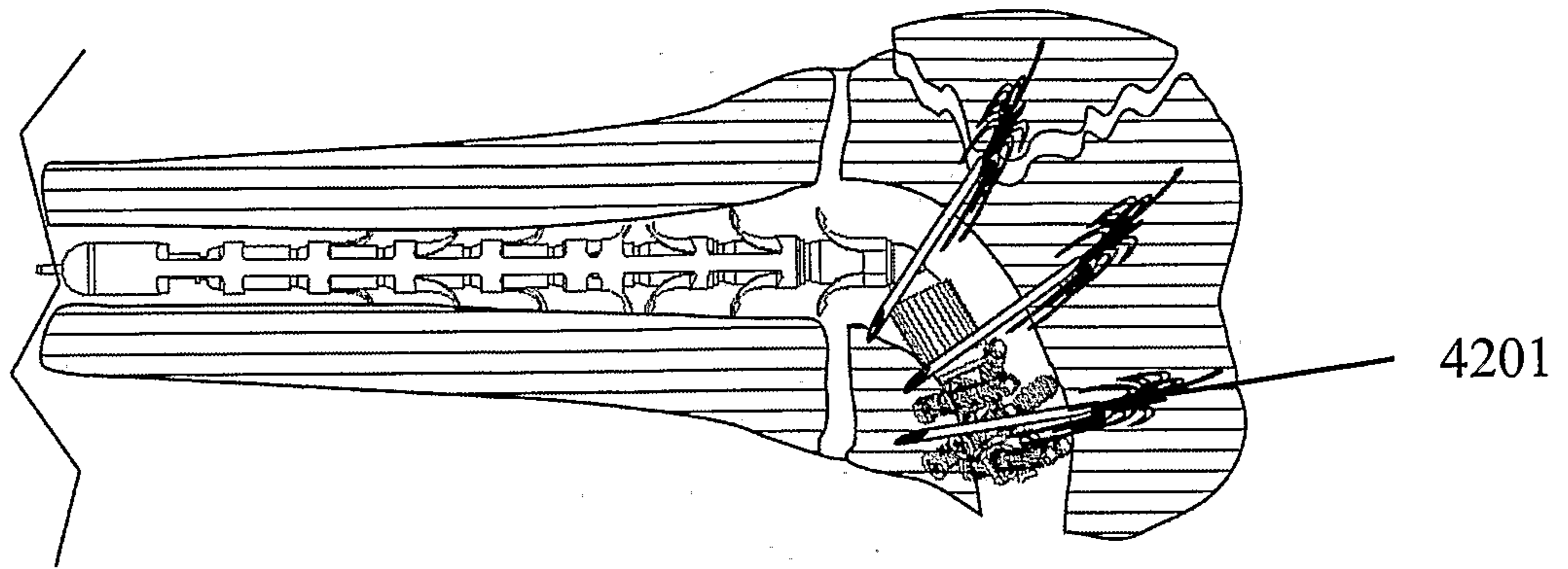


Fig 42

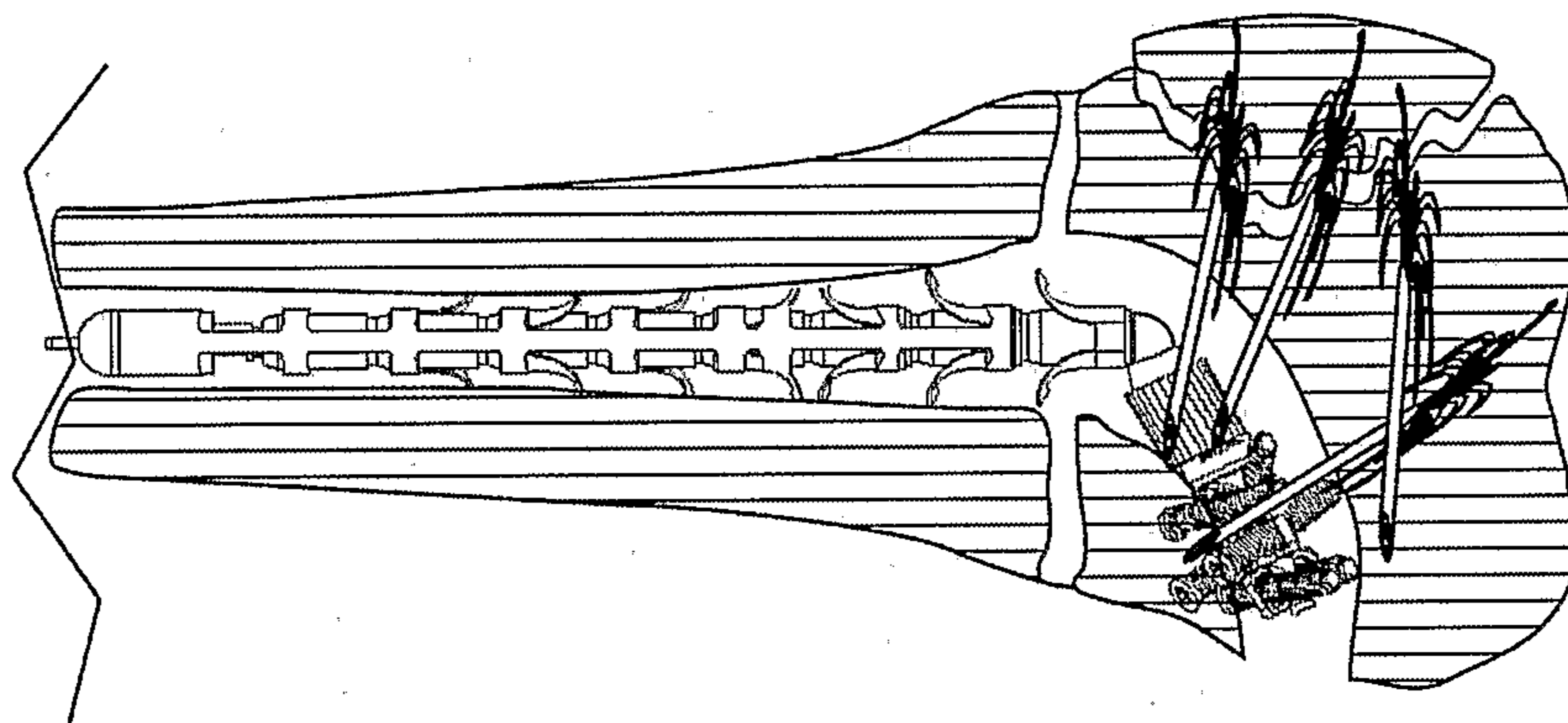


Fig 43

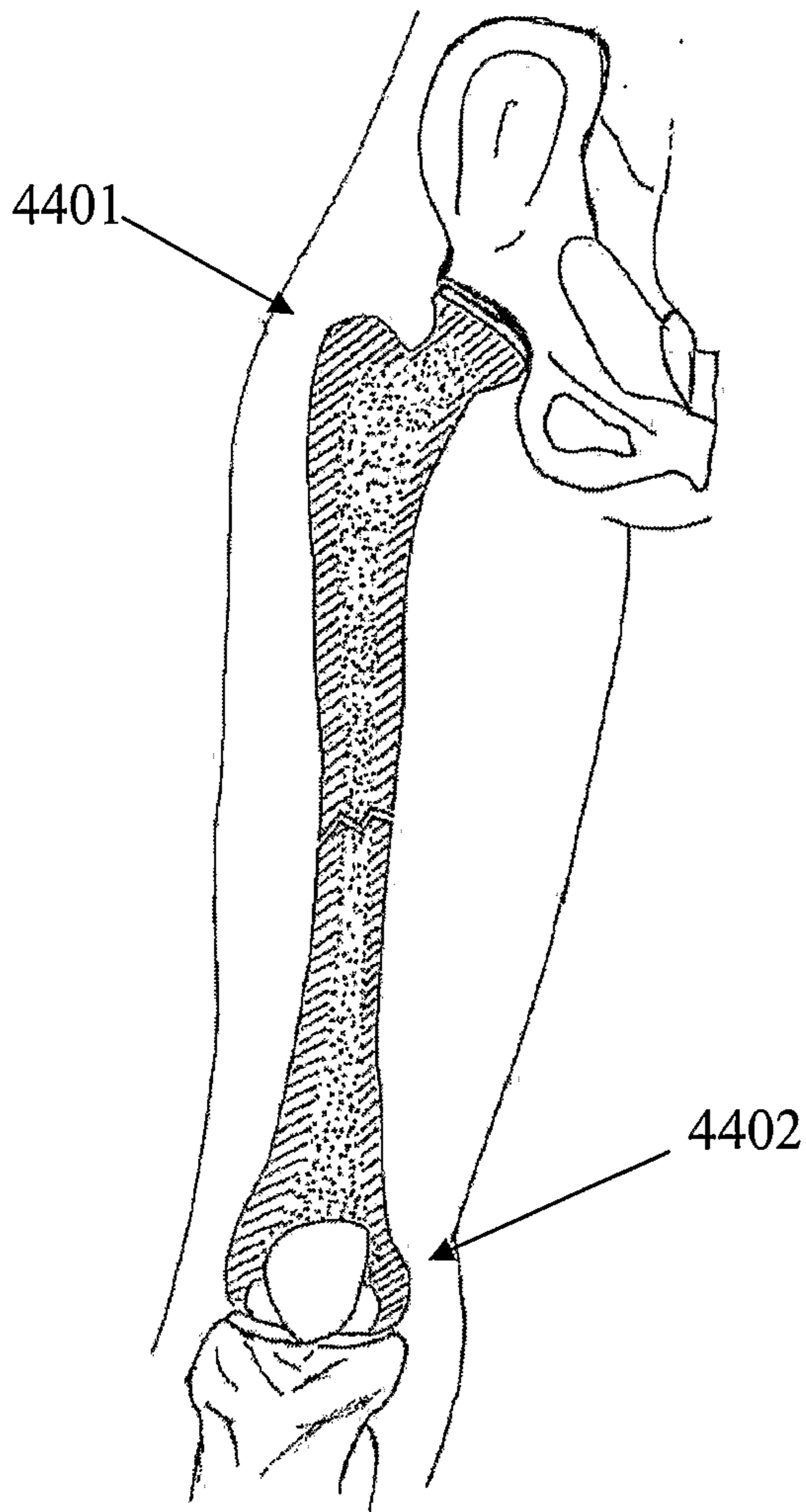


Fig 44

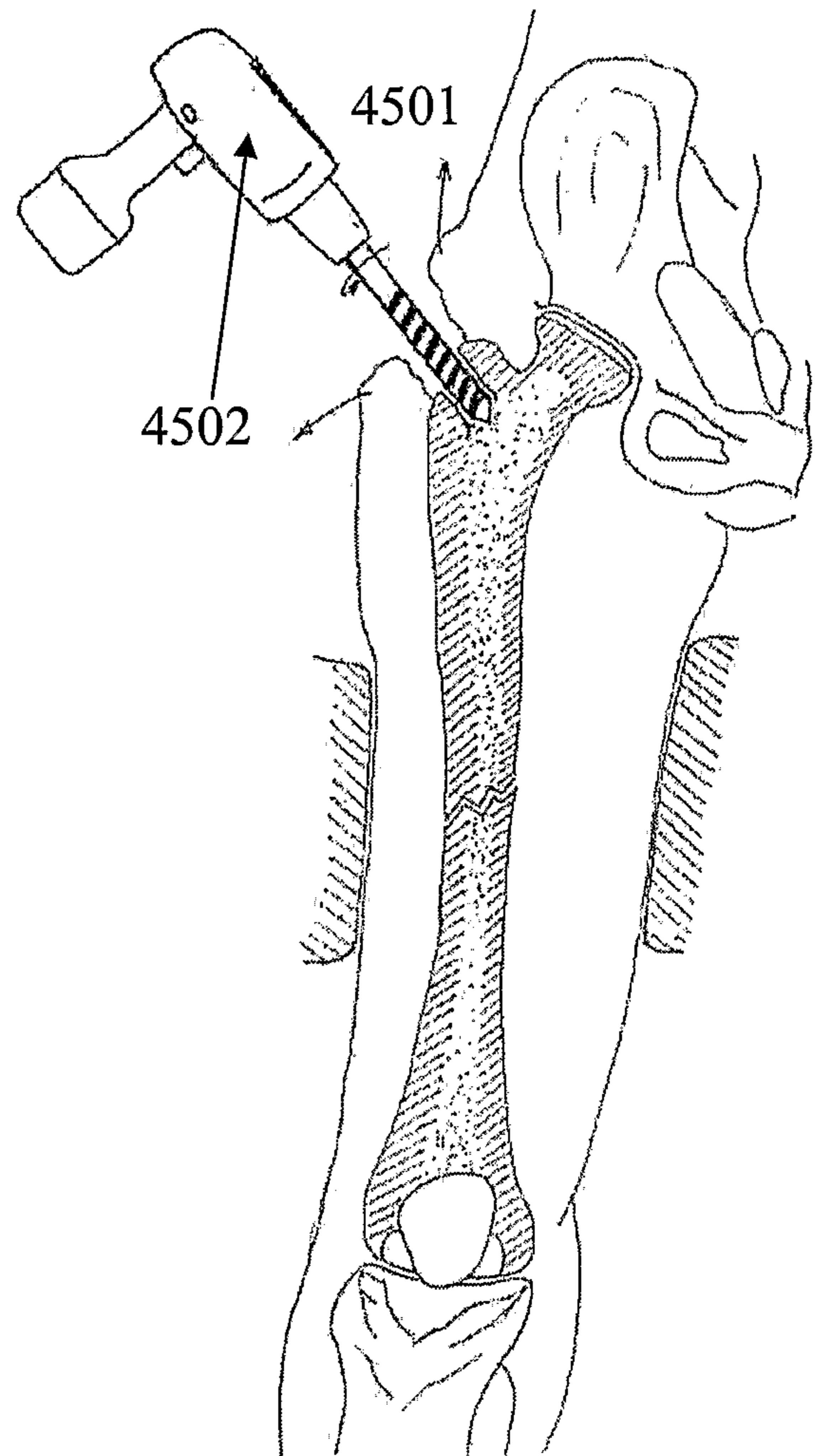


Fig 45

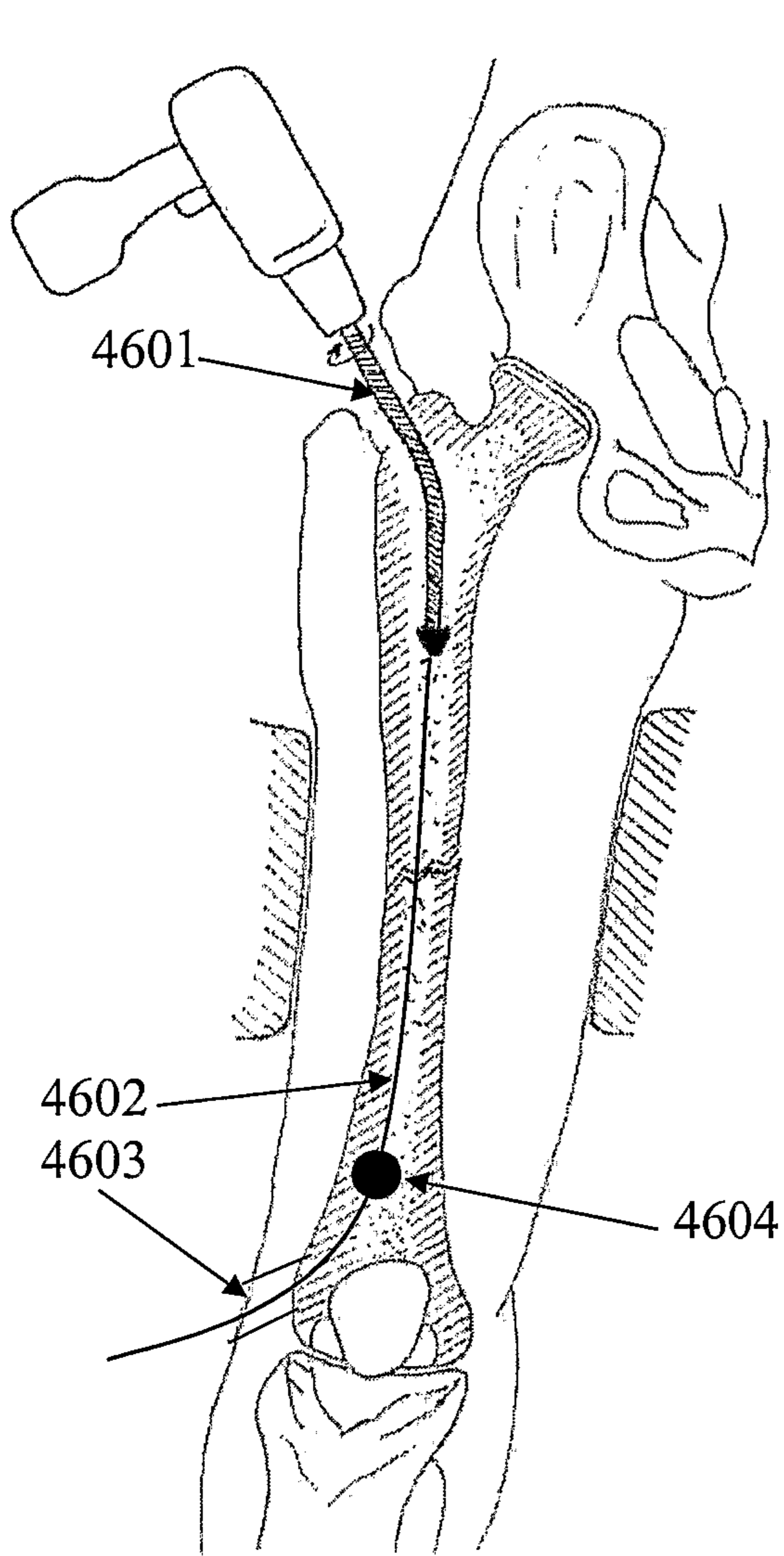


Fig 46

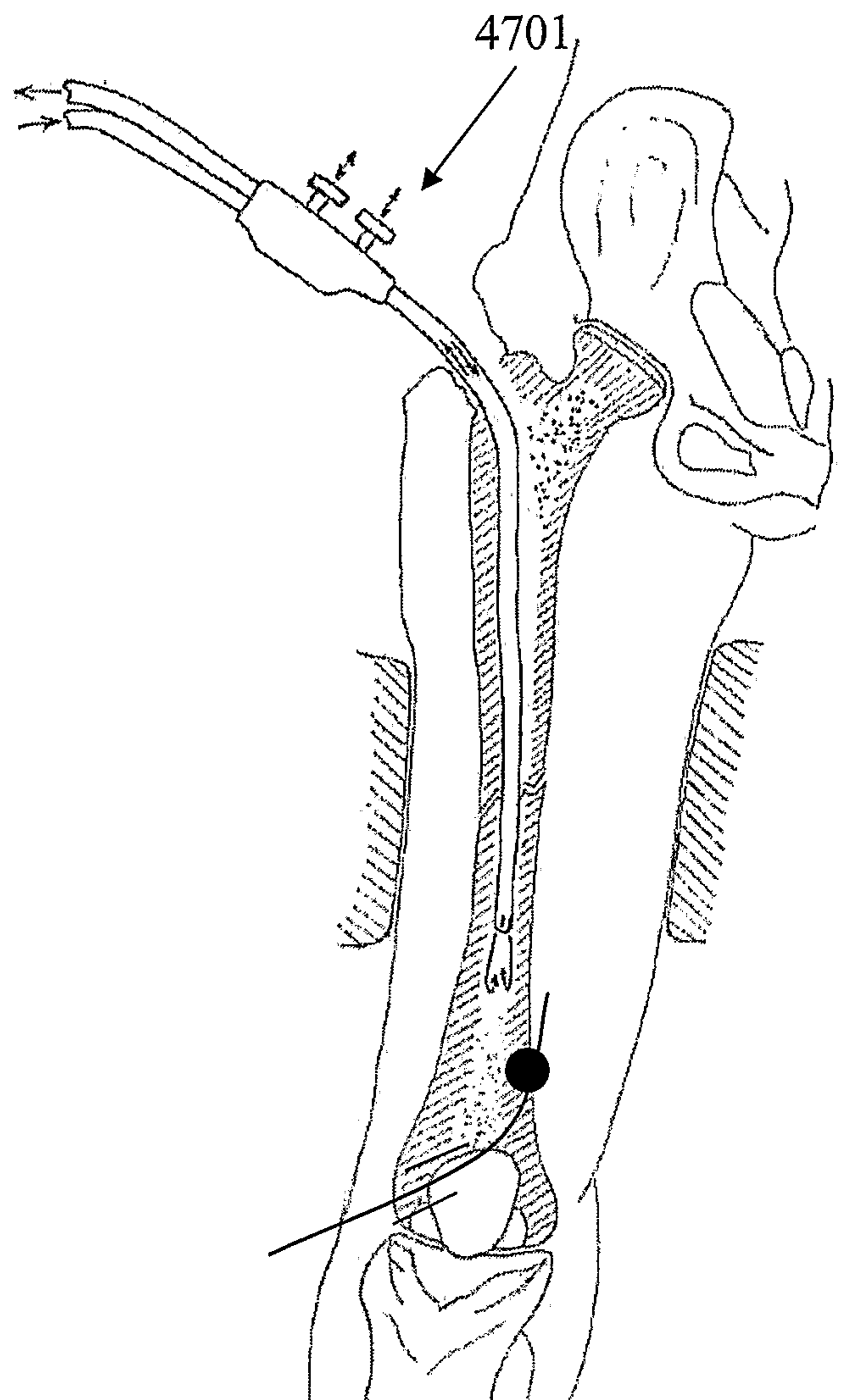


Fig 47

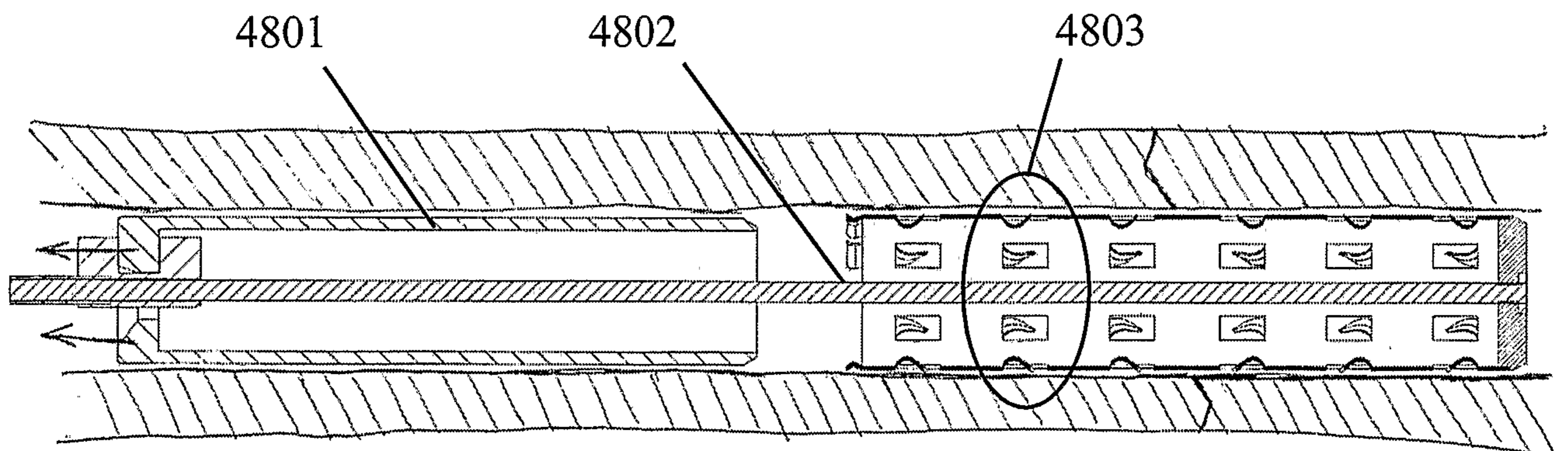


Fig 48

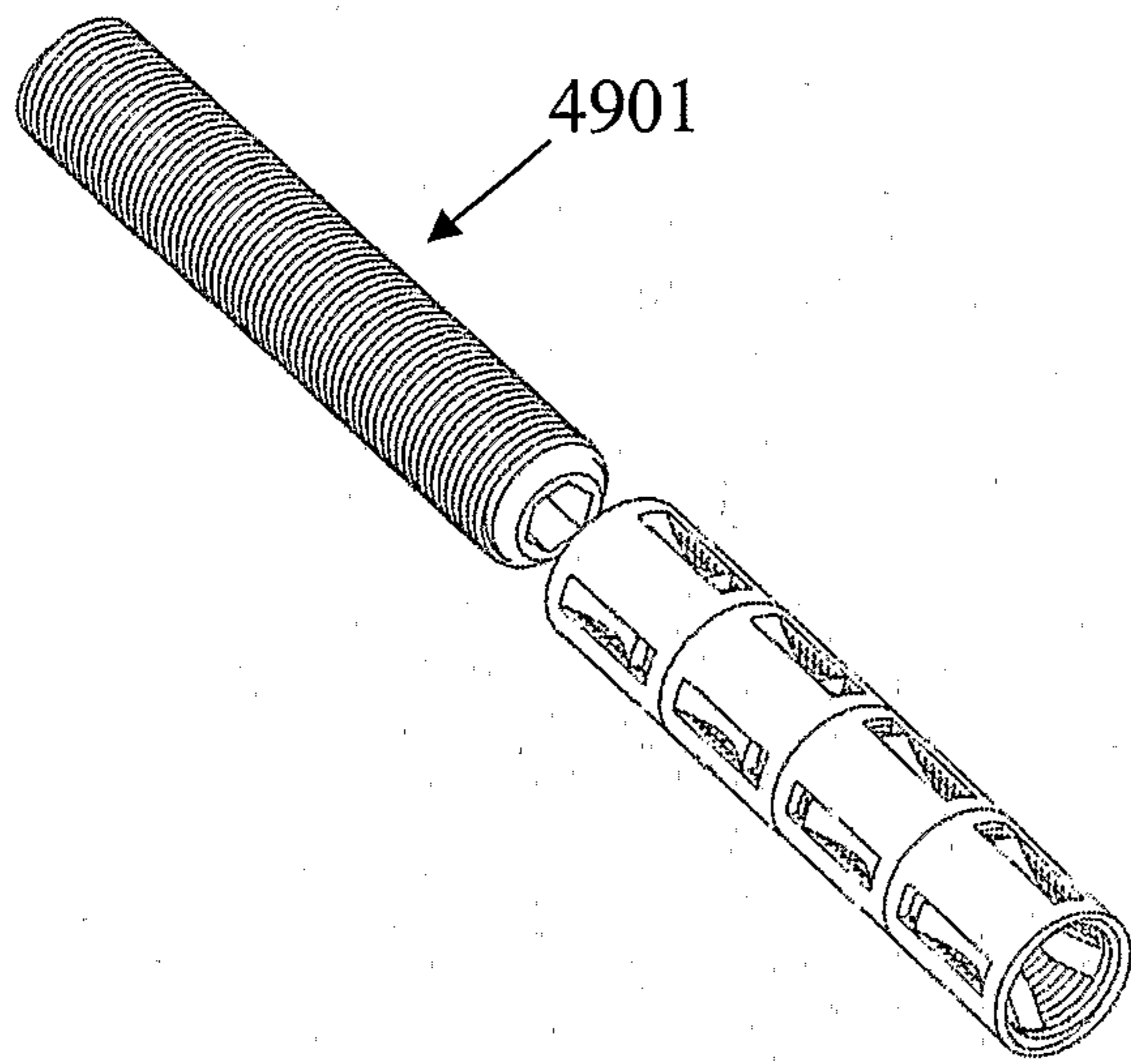


Fig 49

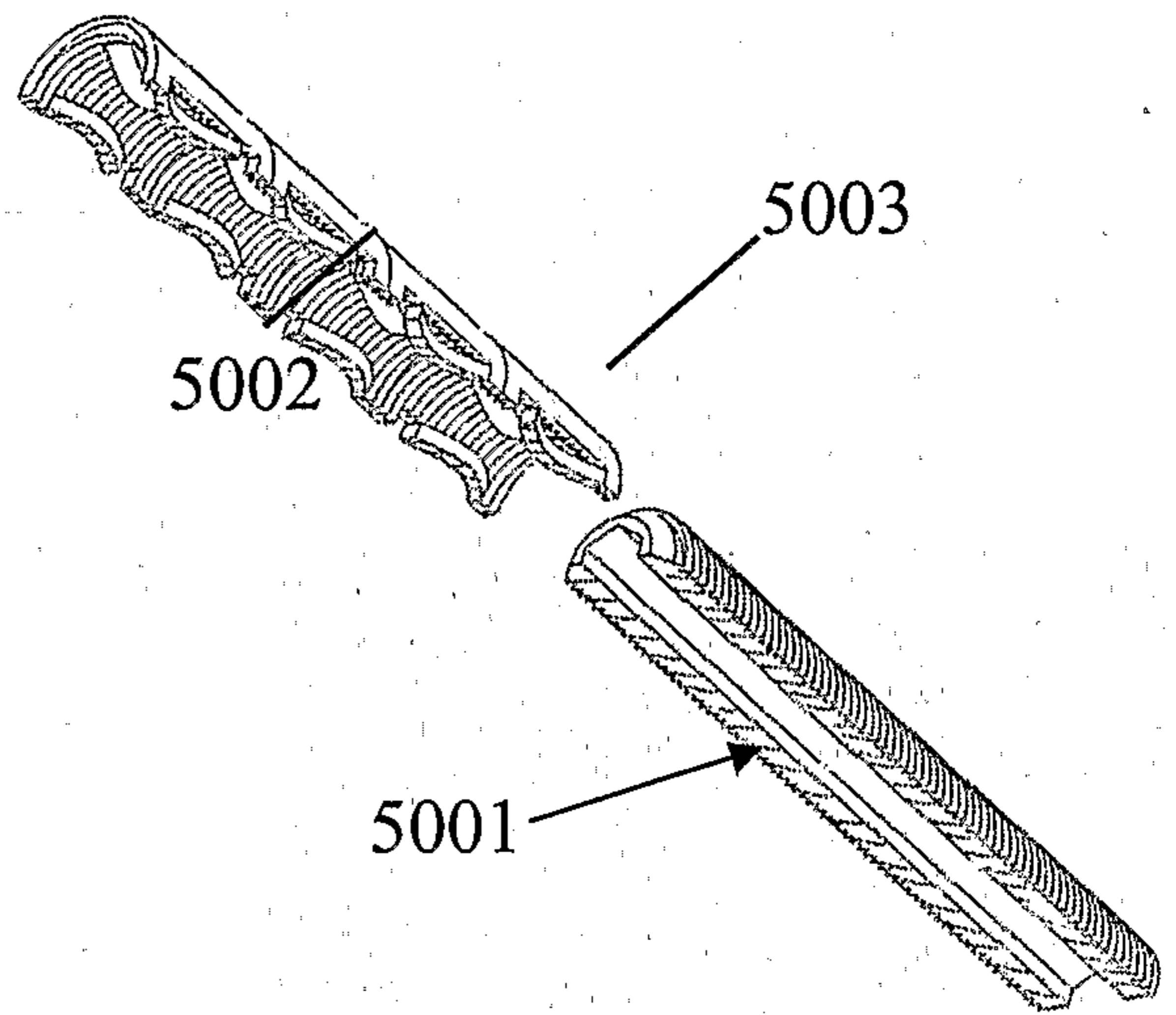


Fig 50

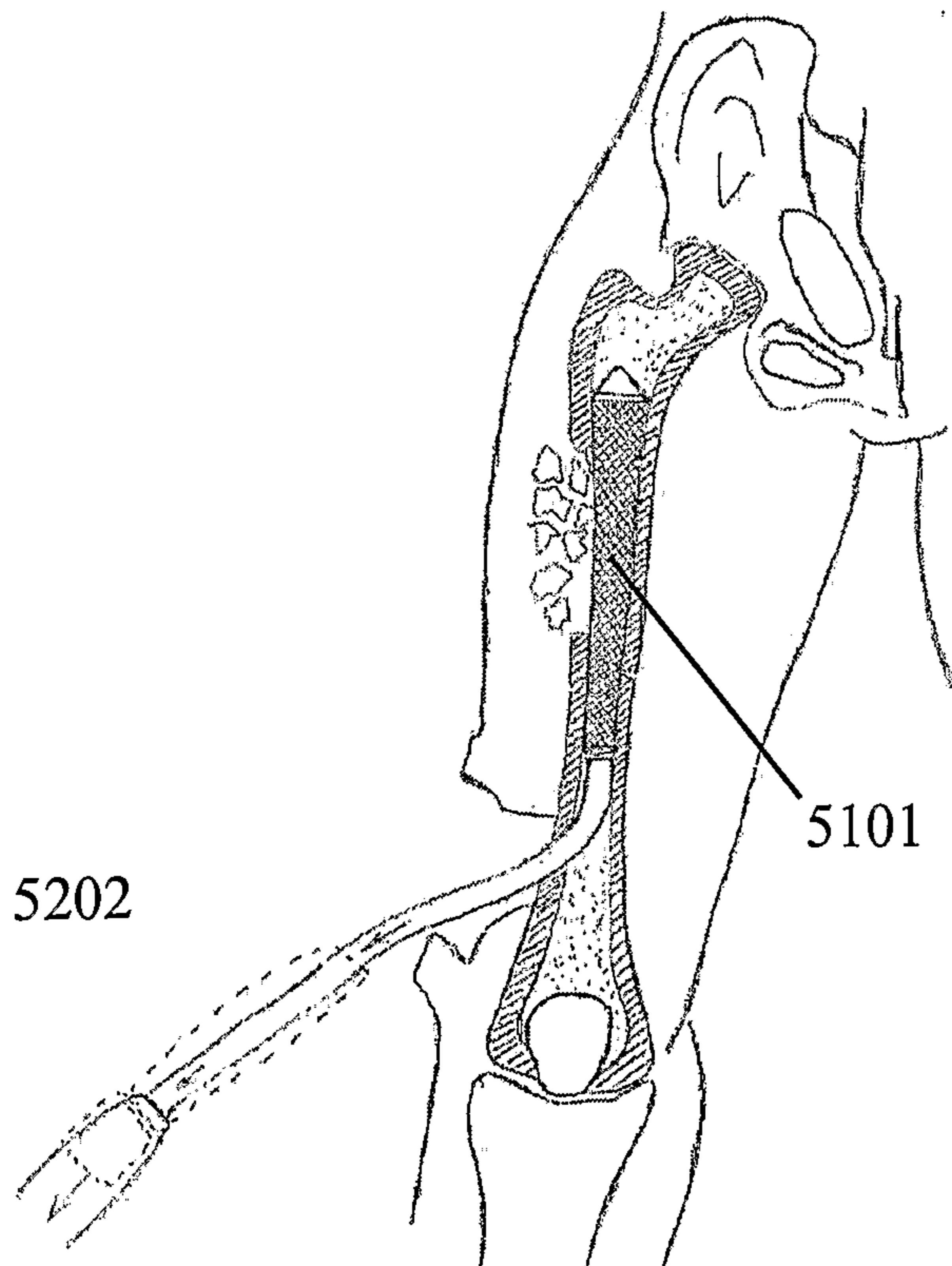


Fig 51

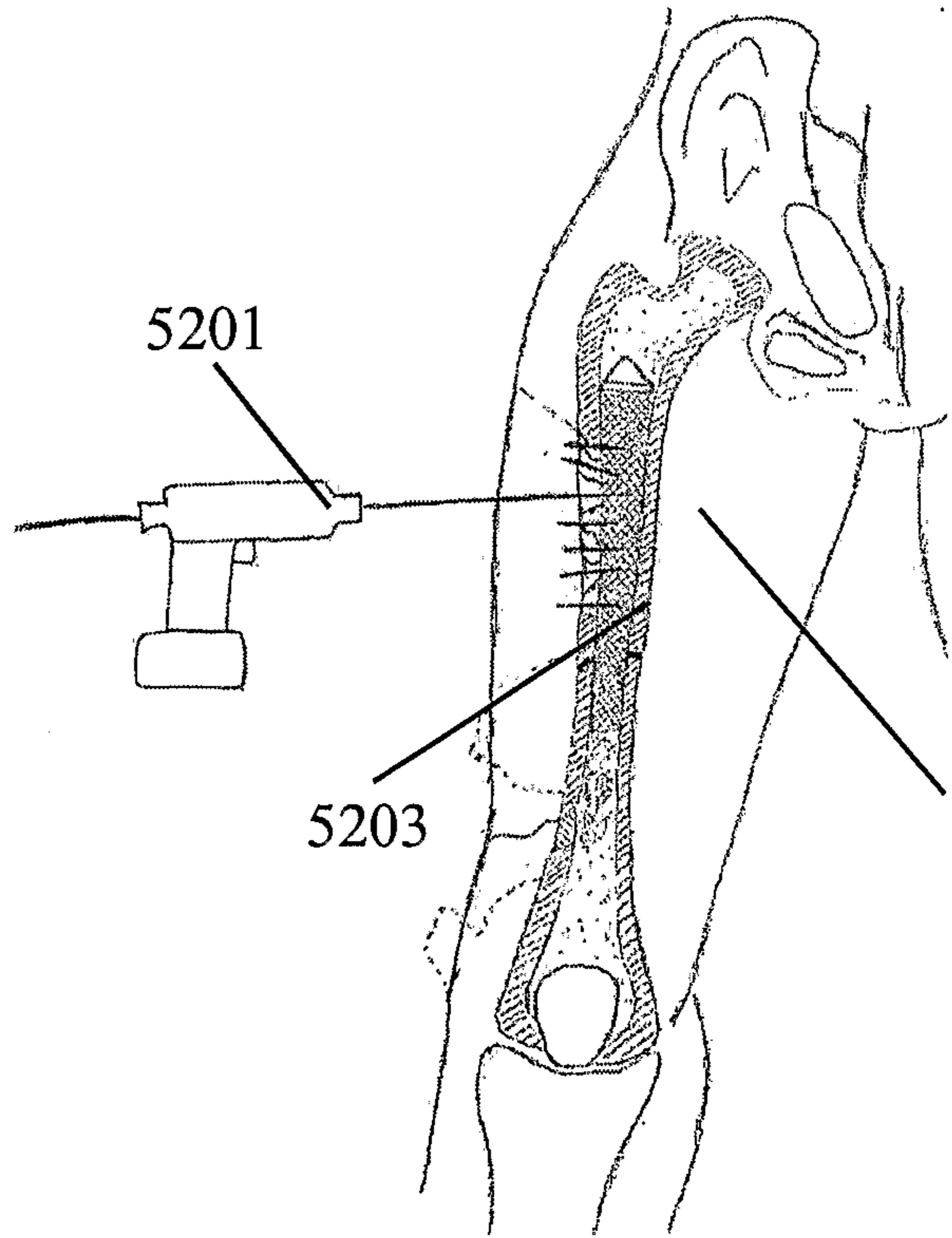


Fig 52

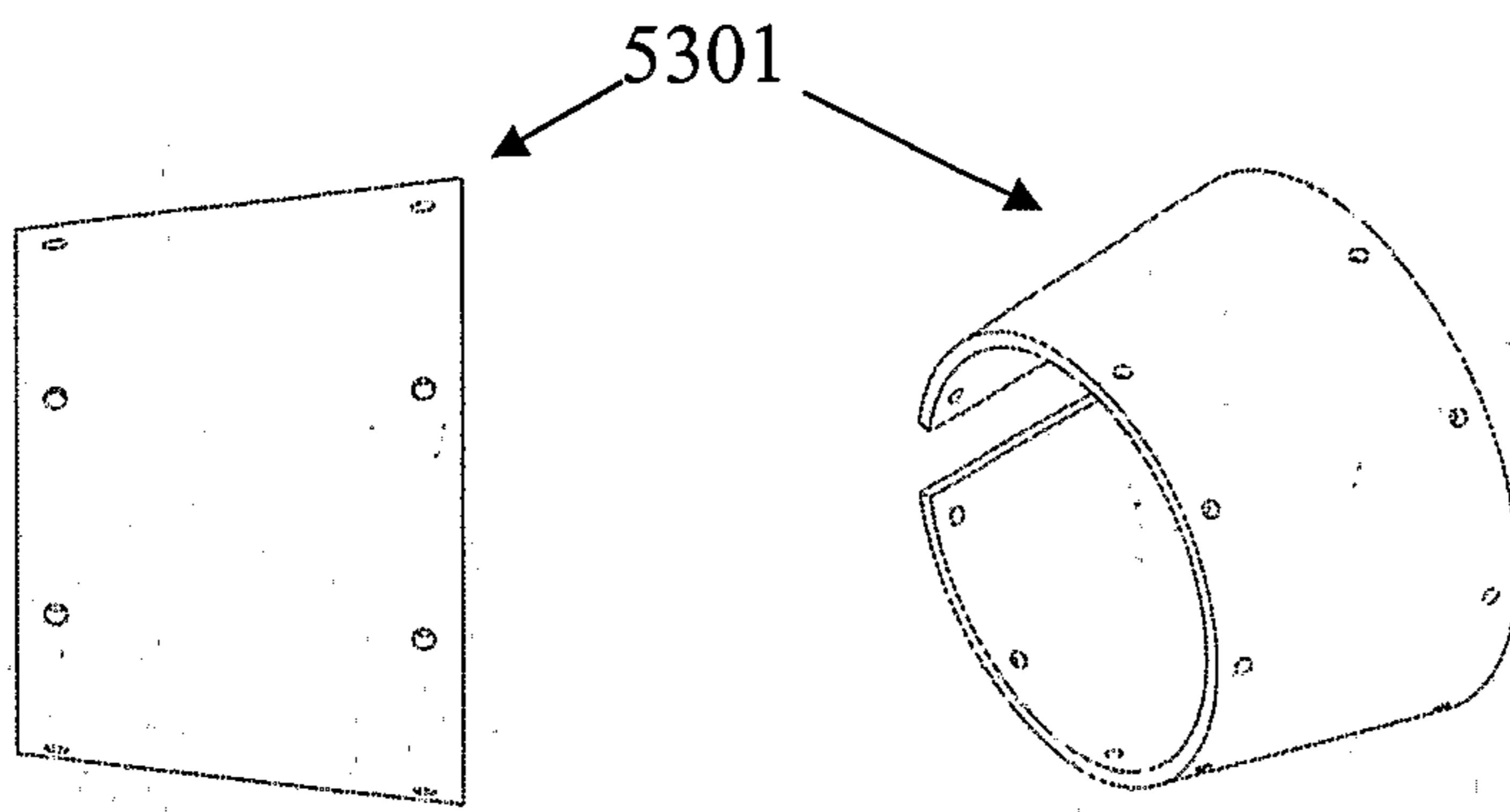


Fig 53A

Fig 53B

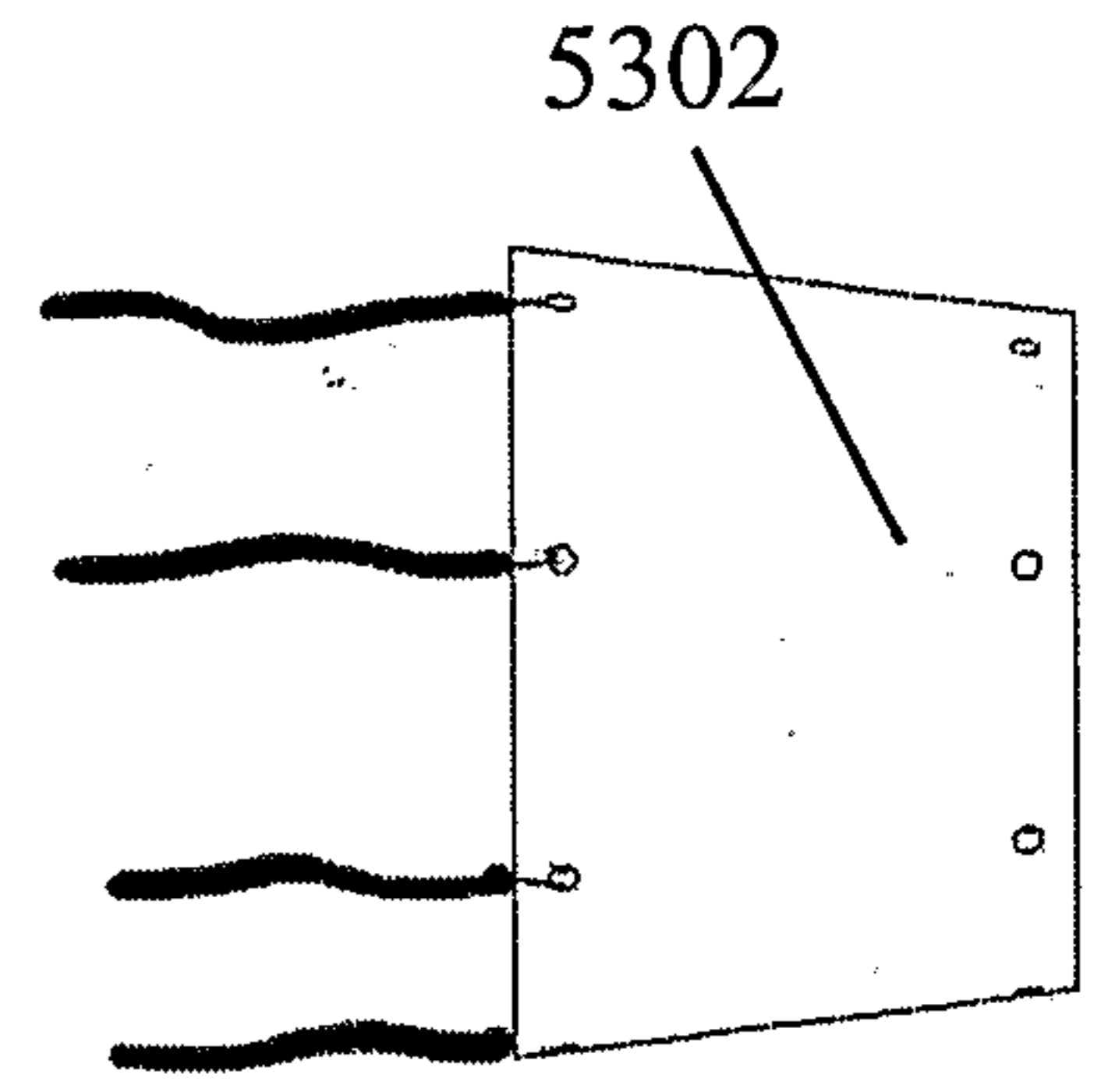


Fig 53C

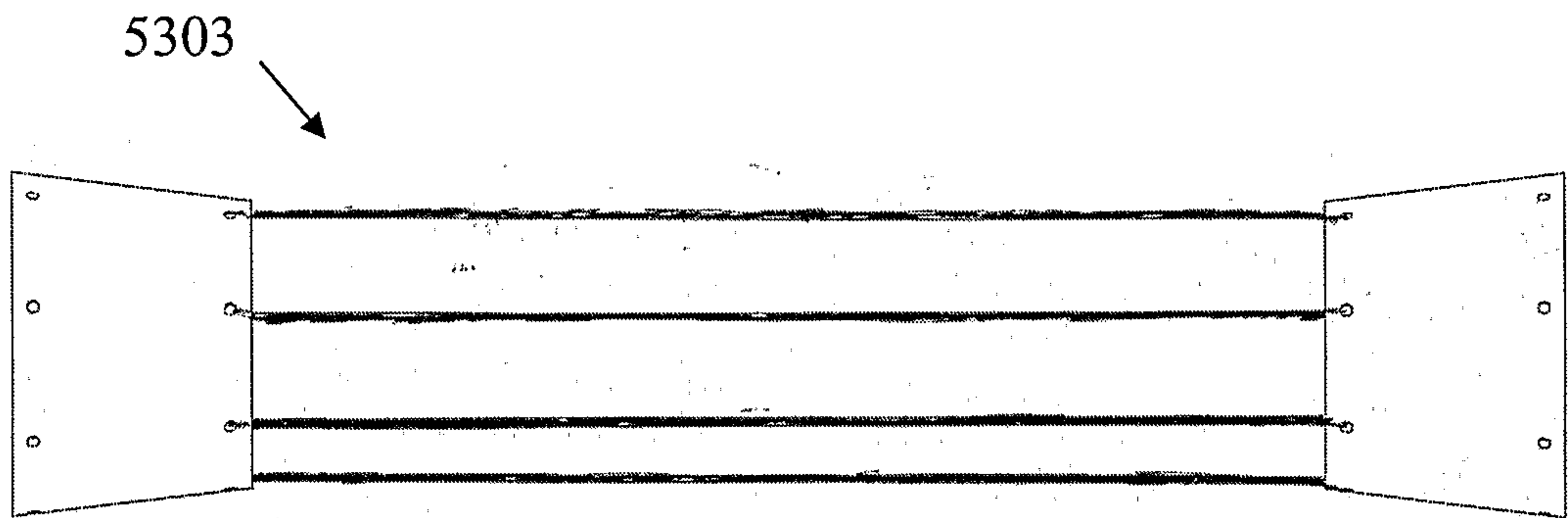


Fig 53D

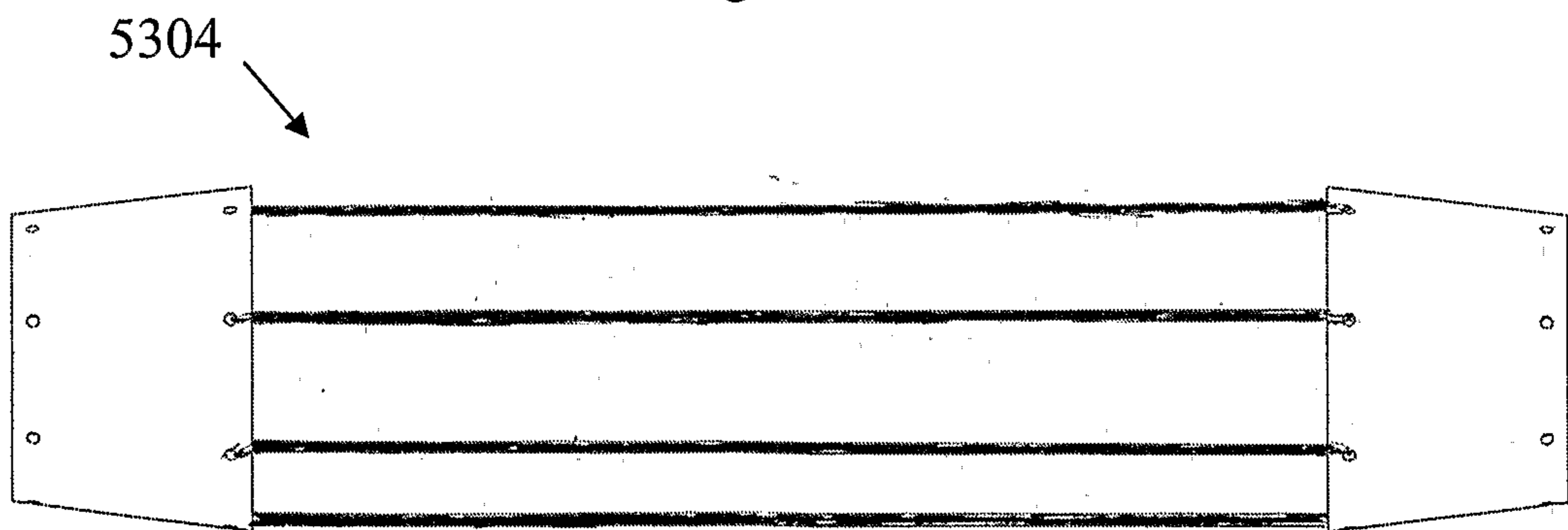


Fig 53E

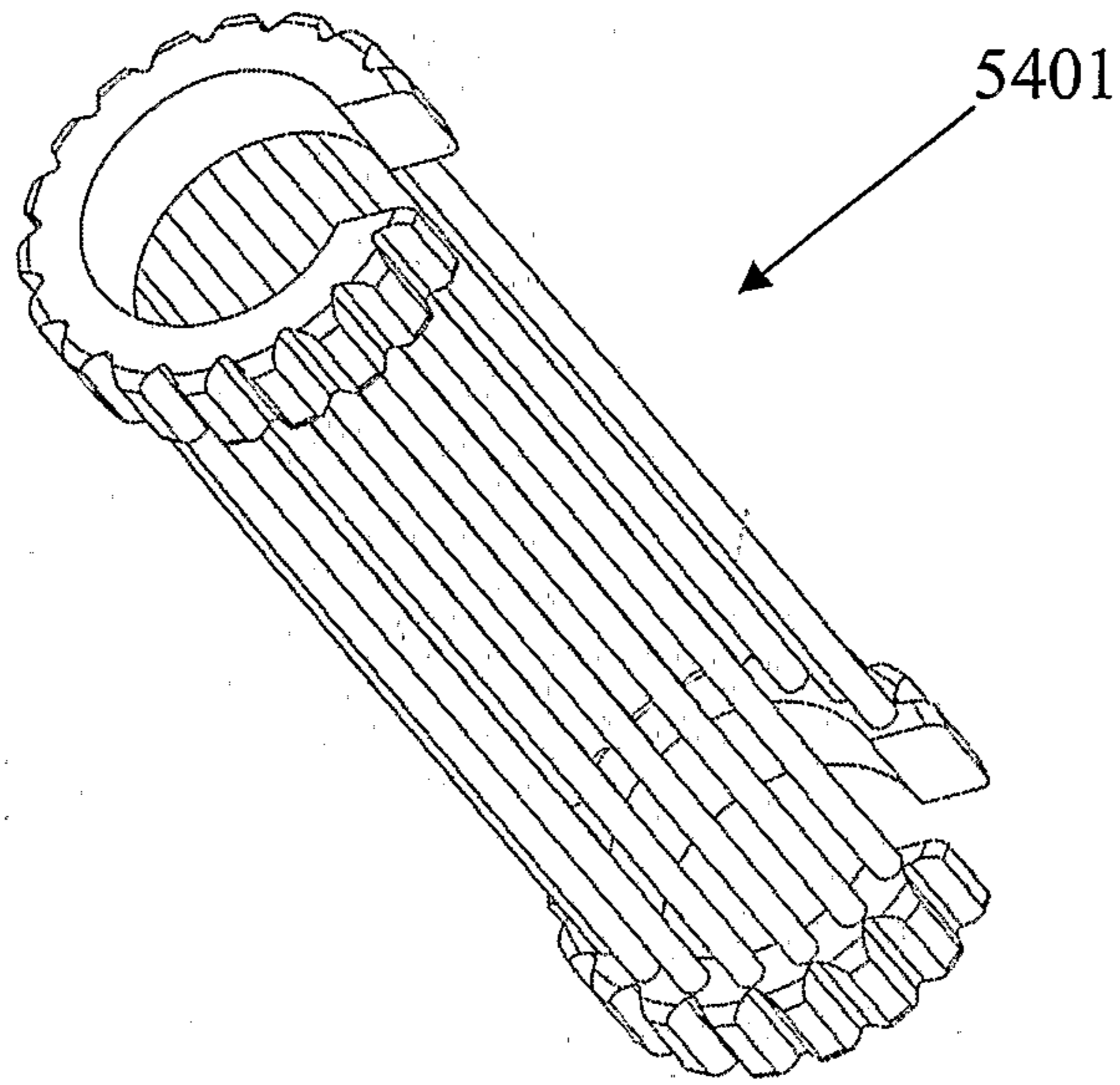


Fig 54

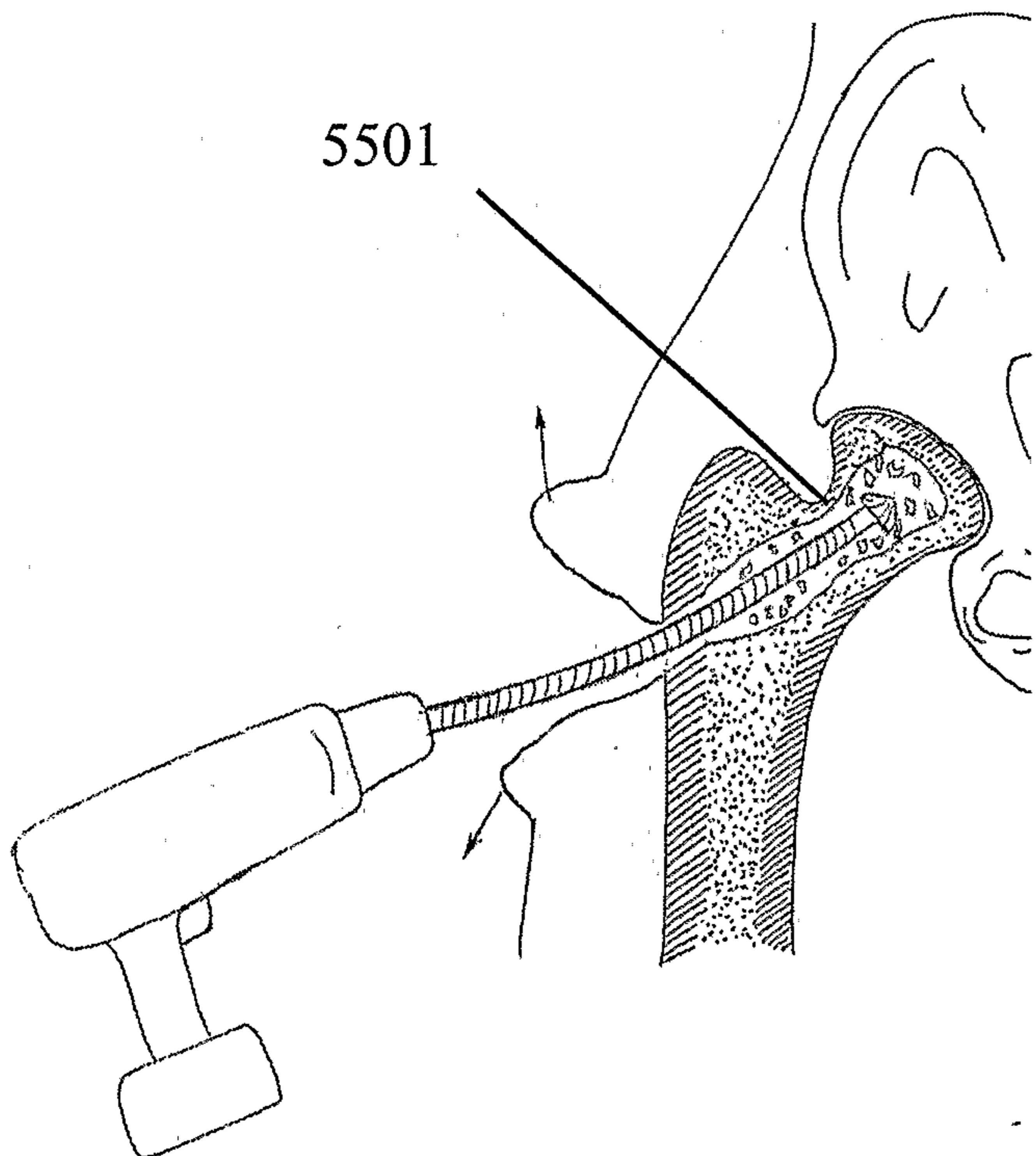


Fig 55

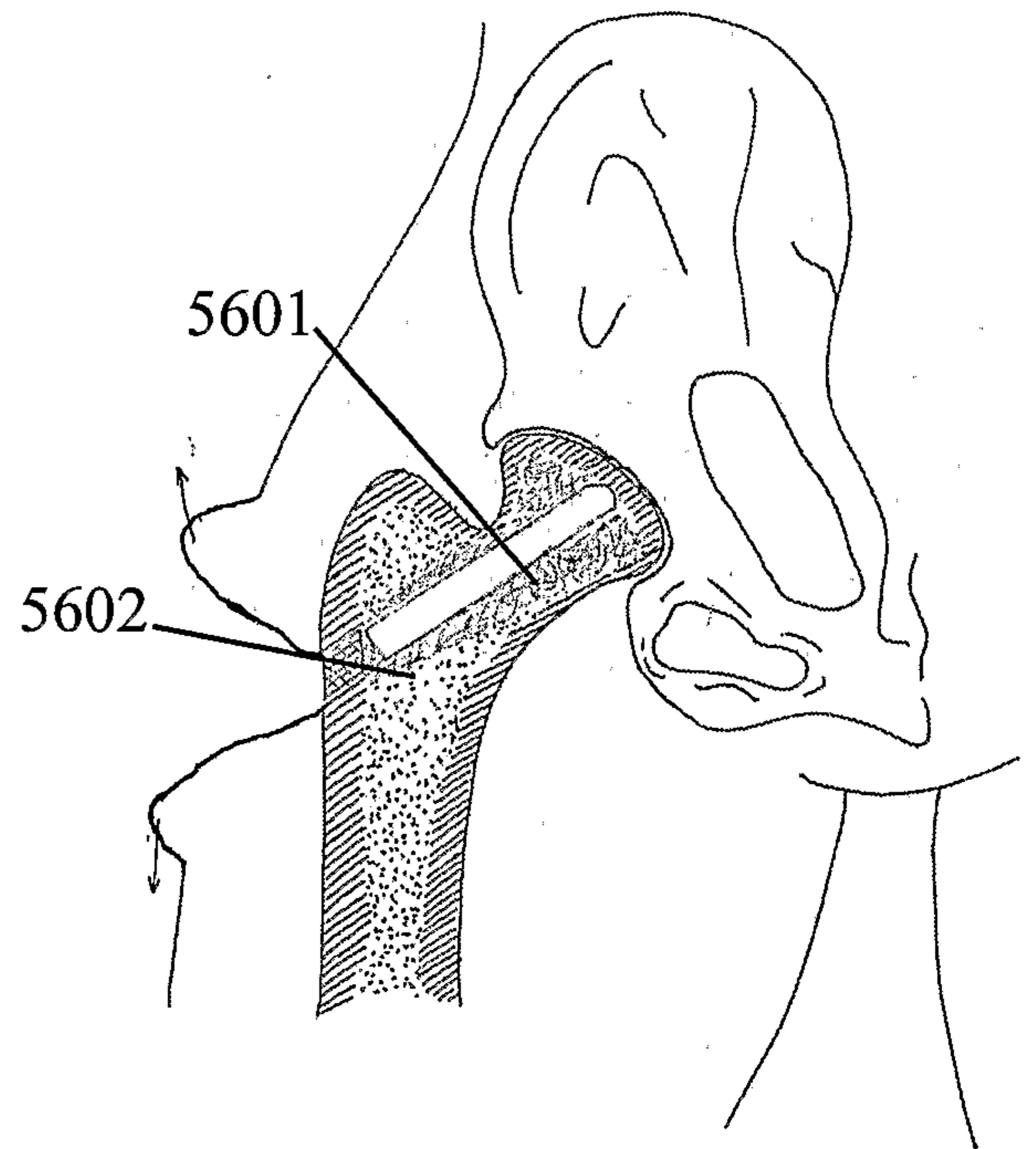


Fig 56

