



US00D685943S

(12) **United States Design Patent**  
**Duquette et al.**

(10) **Patent No.:** **US D685,943 S**

(45) **Date of Patent:** **\*\* \*Jul. 9, 2013**

(54) **LED MODULE**

(75) Inventors: **Jean-Francois Duquette**, Kirkland (CA); **Étienne Dansereau**, Montreal (CA); **Serge Maurice**, Laval (CA); **Jean-Francois Laporte**, Laval (CA)

(73) Assignee: **Koninklijke Philips Electronics N.V.**, Eindhoven (NL)

(\* ) Notice: This patent is subject to a terminal disclaimer.

(\*\*) Term: **14 Years**

(21) Appl. No.: **29/417,756**

(22) Filed: **Apr. 9, 2012**

(30) **Foreign Application Priority Data**

Oct. 11, 2011 (EM) ..... 001930389-0002

(51) **LOC (9) Cl.** ..... **26-05**

(52) **U.S. Cl.**  
USPC ..... **D26/74**

(58) **Field of Classification Search**  
USPC ..... D26/74, 72, 75, 76, 77, 78, 79, 113, D26/118, 120, 122, 138, 141, 152, 24; 362/482, 362/145, 147, 148, 150, 151, 152, 153, 153.1, 362/218, 217.02, 217.03, 217.05, 217.07, 362/217.08, 217.09, 217.1, 217.11, 217.14, 362/217.15, 342, 346, 347, 364, 365, 366, 362/800, 260, 279, 280, 290, 291, 292, 294, 362/296.01, 297, 298, 299, 300, 301, 310, 362/296.07, 311.02, 311.01, 311.09; D5/54, D5/58; D13/180

See application file for complete search history.

(56) **References Cited**

U.S. PATENT DOCUMENTS

D307,059 S *	4/1990	Szymanek .....	D26/74
D433,524 S *	11/2000	Szymanek .....	D26/76
D457,981 S *	5/2002	Yeh .....	D26/76
6,601,976 B1 *	8/2003	Rhee .....	362/374
D585,581 S *	1/2009	Purcell .....	D26/85
D599,943 S *	9/2009	Bergmann et al. ....	D26/74
D602,626 S *	10/2009	Santoro et al. ....	D26/76
D609,841 S *	2/2010	Bush .....	D26/76
D621,085 S *	8/2010	Kochanski et al. ....	D26/76
D621,086 S *	8/2010	Purcell .....	D26/76
D632,008 S *	2/2011	Kim et al. ....	D26/120
D646,826 S *	10/2011	Smith .....	D26/74
D663,882 S *	7/2012	Muraishi et al. ....	D26/76

\* cited by examiner

*Primary Examiner* — Angela J Lee

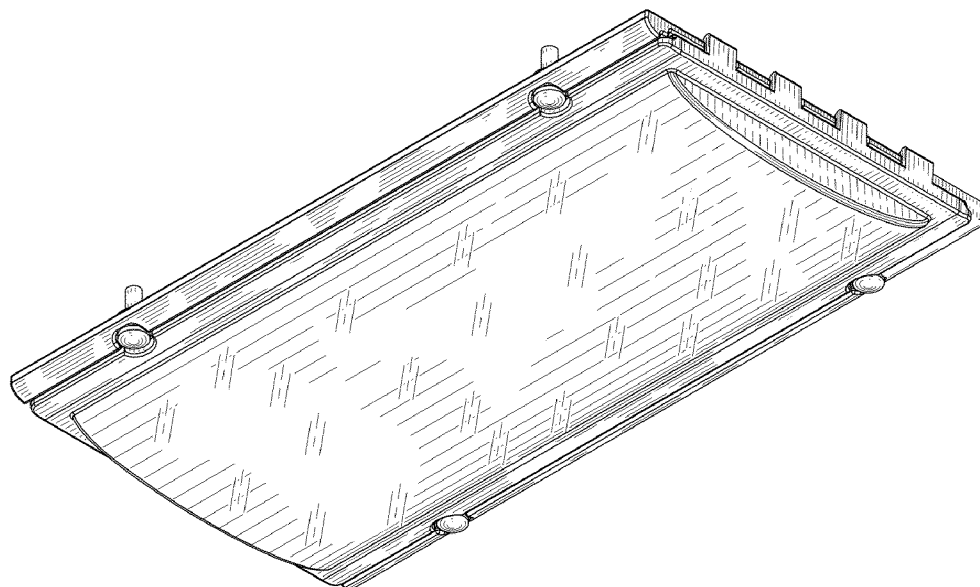
(57) **CLAIM**

The ornamental design for an LED module, as shown and described.

**DESCRIPTION**

FIG. 1 is a perspective view showing my design; FIG. 2 is a front elevational view thereof; FIG. 3 is a rear elevational view thereof; FIG. 4 is a right side elevational view thereof; FIG. 5 is a left side elevational view thereof; FIG. 6 is a top plan view thereof; and, FIG. 7 is a bottom plan view thereof. The portions of the LED module shown in broken lines form no part of the claimed design.

**1 Claim, 3 Drawing Sheets**



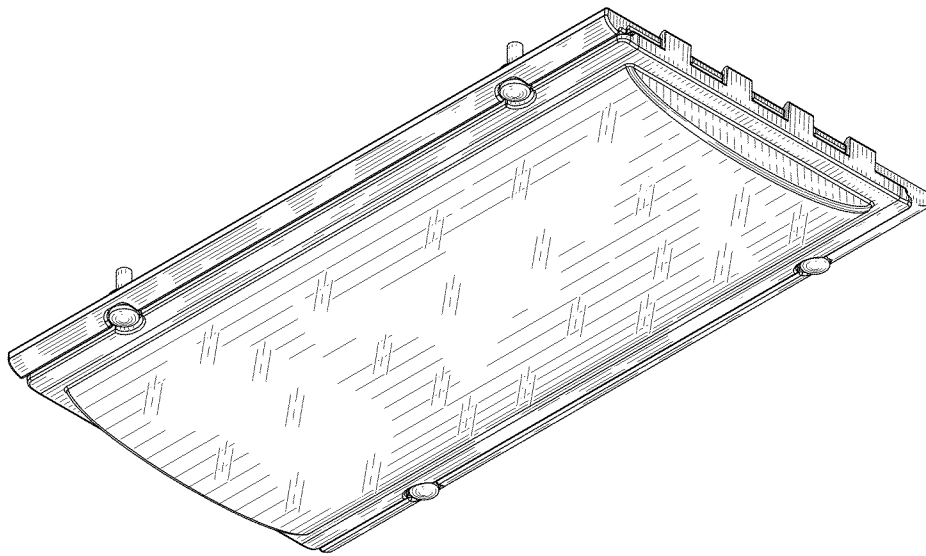


FIG.1

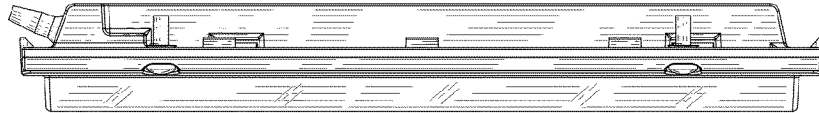


FIG. 2

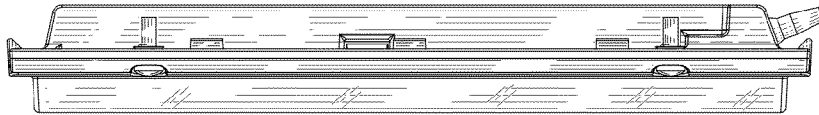


FIG. 3

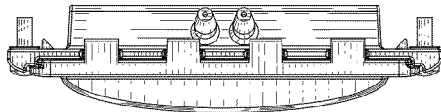


FIG. 4

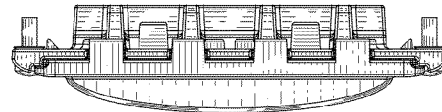


FIG. 5

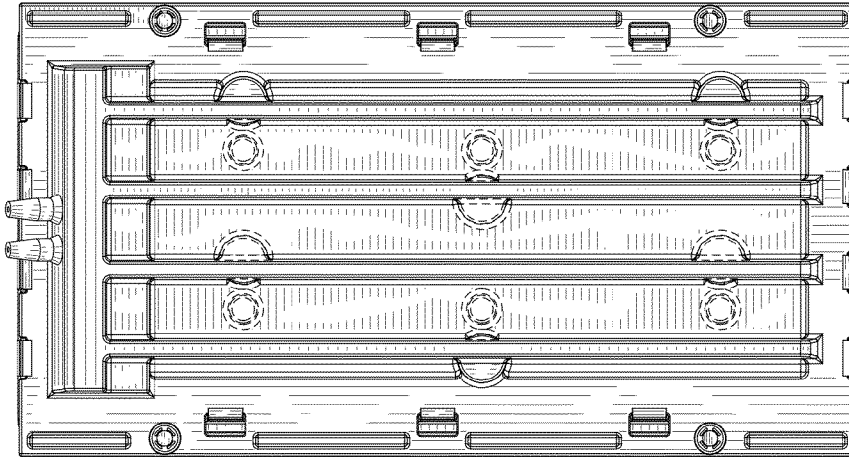


FIG. 6

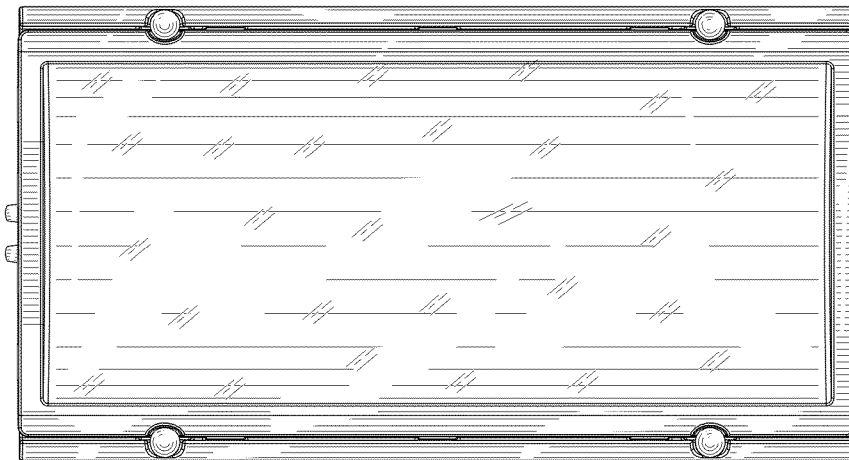


FIG. 7