



(12) **United States Design Patent**
Chen

(10) **Patent No.:** **US D1,069,273 S**
(45) **Date of Patent:** **** Apr. 1, 2025**

(54) **CAT SCRATCHING POST**

FOREIGN PATENT DOCUMENTS

(71) Applicant: **Zhejiang Wehaves Network Technology., Ltd**, Ningbo (CN)

CN 307944168 * 3/2023

(72) Inventor: **Yuchang Chen**, Ningbo (CN)

OTHER PUBLICATIONS

(73) Assignee: **Zhejiang Wehaves Network Technology., Ltd**, Ningbo (CN)

HeyKitten 34" Tall Cat Scratching Post with Sturdy Tripod Base, Dangling Toy Ball and Natural Sisal Rope Wrapped Vertical Scratcher Pole for Indoor Cats and Kittens; posted Dec. 31, 2021, retrieved Sep. 30, 2024 [online]. URL: <https://www.amazon.com/dp/B09PJ8DSZ3> (Year: 2021).*

(**) Term: **15 Years**

* cited by examiner

(21) Appl. No.: **29/859,241**

(22) Filed: **Nov. 9, 2022**

Primary Examiner — Sheryl Lane

(51) **LOC (15) Cl.** **30-06**

Assistant Examiner — Emily A Caven

(52) **U.S. Cl.**

(74) *Attorney, Agent, or Firm* — Jose Cherson Weissbrot

USPC **D30/160**

(58) **Field of Classification Search**

(57) **CLAIM**

USPC D30/108, 112, 118, 158, 160, 199
CPC ... A01K 15/024; A01K 15/025; A01K 15/027
See application file for complete search history.

The ornamental design for a cat scratching post as shown and described.

(56) **References Cited**

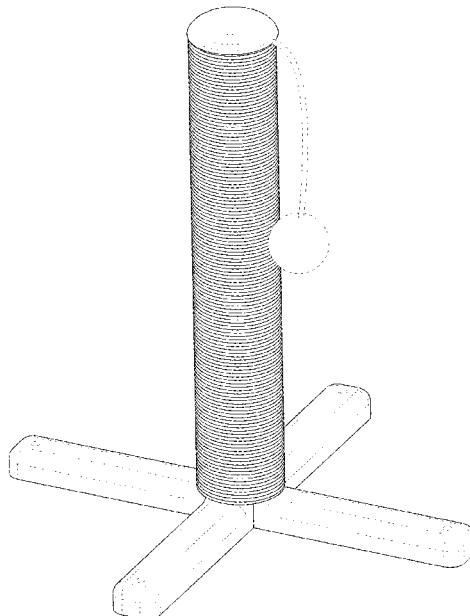
DESCRIPTION

U.S. PATENT DOCUMENTS

D614,364	S	*	4/2010	Kellogg	D30/160
D648,079	S	*	11/2011	Haaf	D30/160
D693,526	S	*	11/2013	Harmon	D30/160
D723,752	S	*	3/2015	Davis-David	D30/160
D807,592	S	*	1/2018	Floyd	A01K 15/025
						D30/160
D807,593	S	*	1/2018	Floyd	A01K 15/024
						D30/160
D906,605	S	*	12/2020	Roost	D30/160
D990,064	S	*	6/2023	Chen	D30/158
D1,058,070	S	*	1/2025	Ip	D30/160
2011/0253060	A1	*	10/2011	Schotthoefer	A01K 15/024
						119/706
2018/0084758	A1	*	3/2018	Zhu	A01K 15/024
2024/0341277	A1	*	10/2024	Tuthill	A01K 15/024

FIG. 1 is a front perspective view of a cat scratching post, showing my new design;
FIG. 2 is a rear perspective view thereof;
FIG. 3 is a front elevational view thereof;
FIG. 4 is a rear elevational view thereof;
FIG. 5 is a left elevational view thereof;
FIG. 6 is a right elevational view thereof;
FIG. 7 is a top plan view thereof; and,
FIG. 8 is a bottom plan view thereof.
The broken lines in the figures illustrate portions of the cat scratching post that form no part of the claimed design.

1 Claim, 8 Drawing Sheets



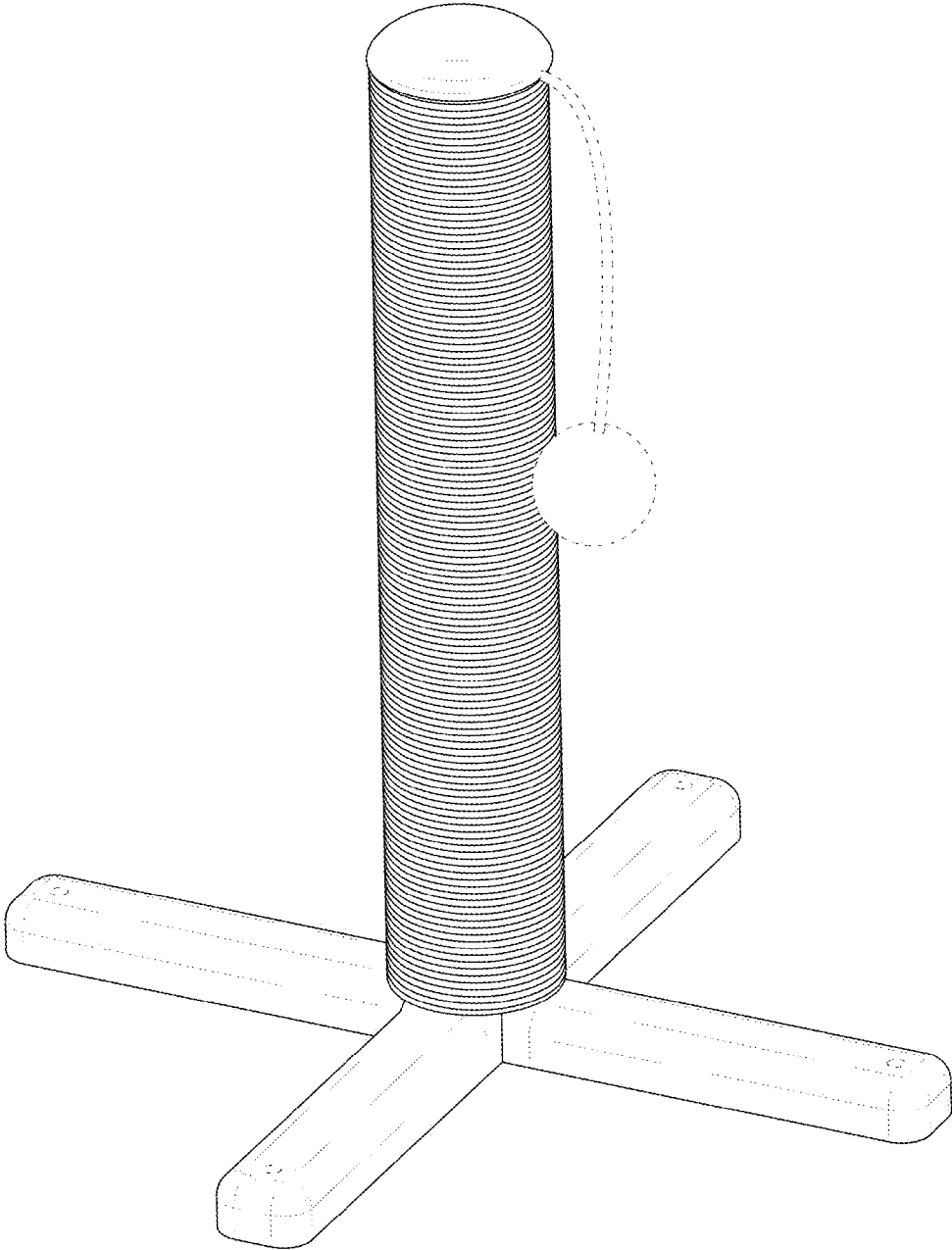


FIG. 1

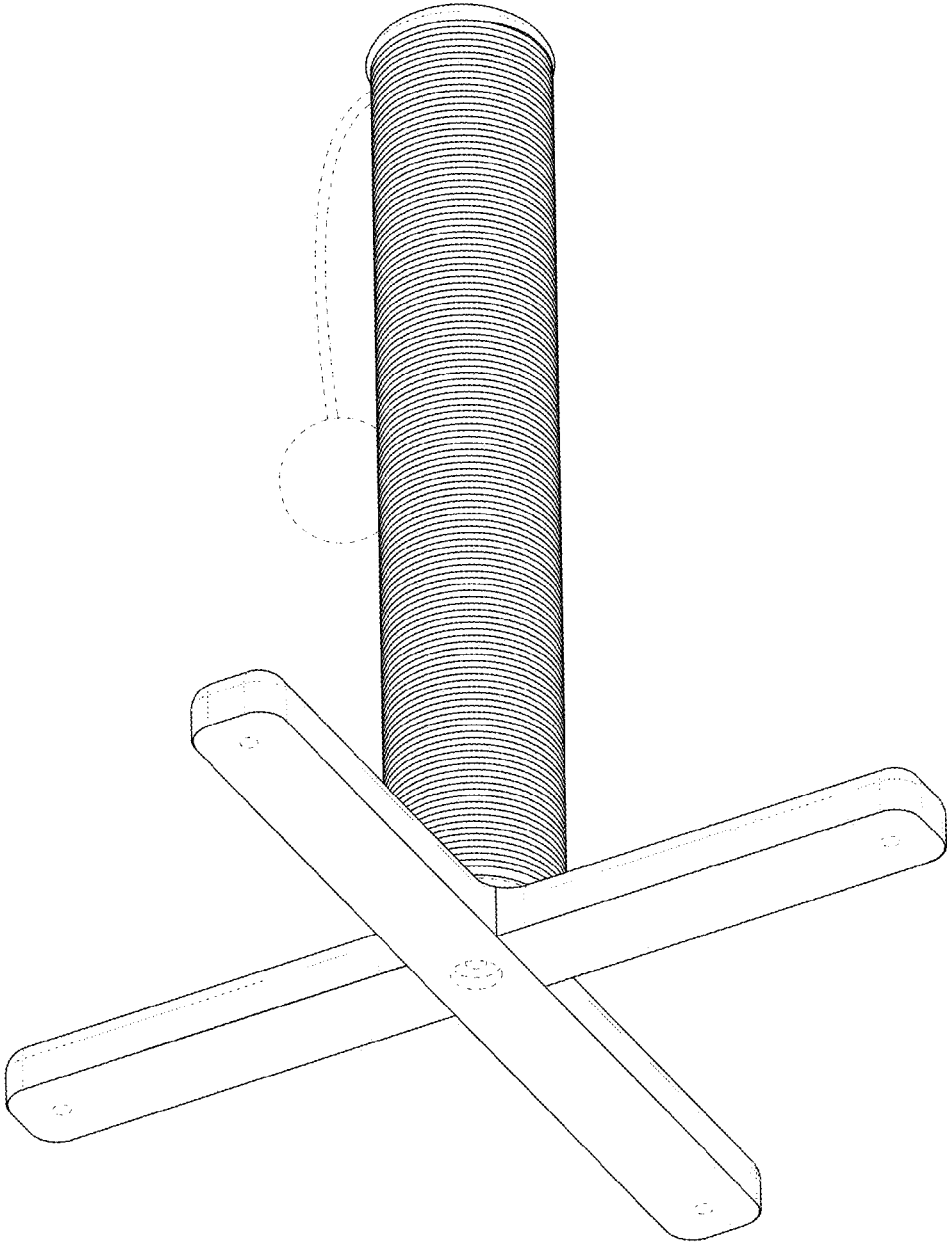


FIG. 2

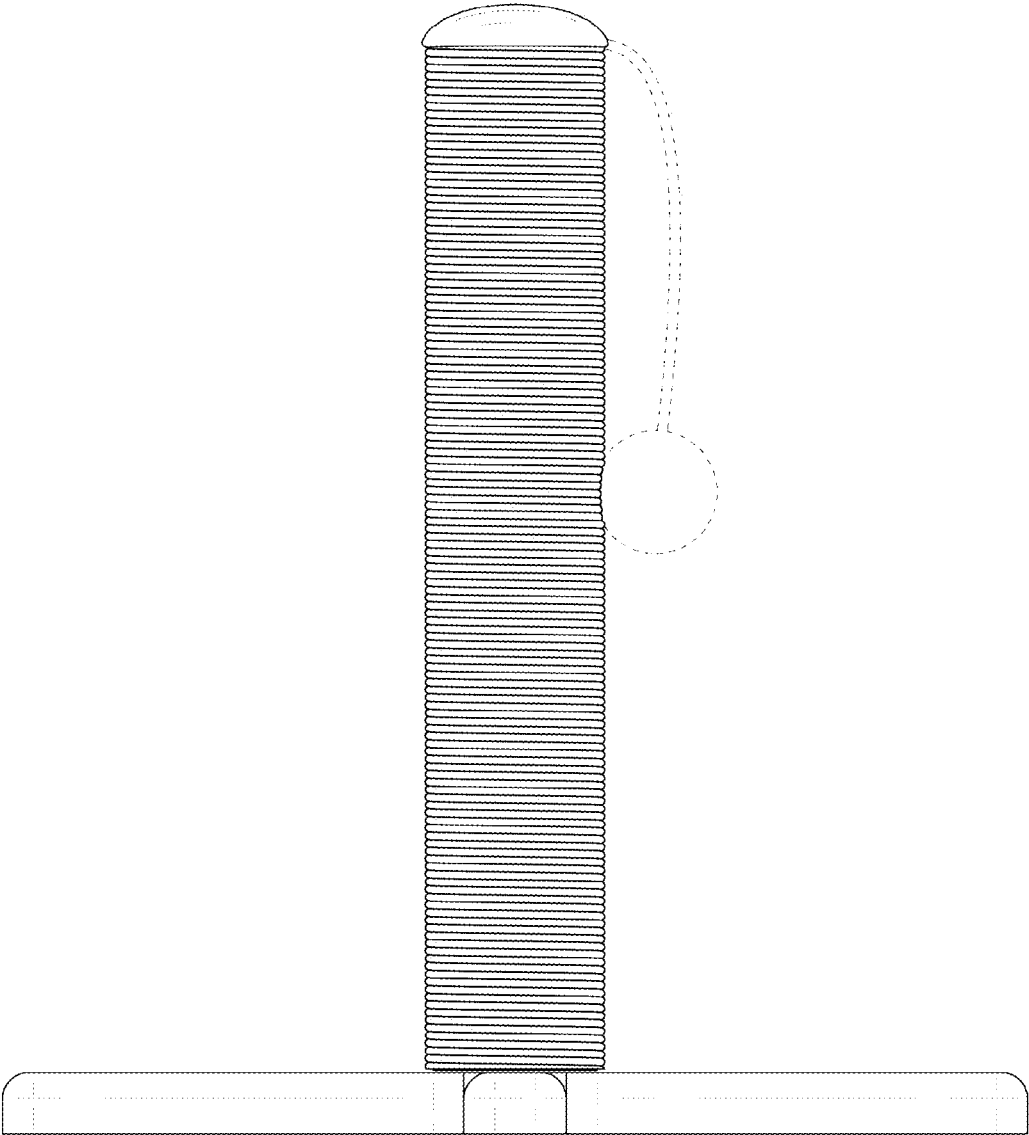


FIG. 3

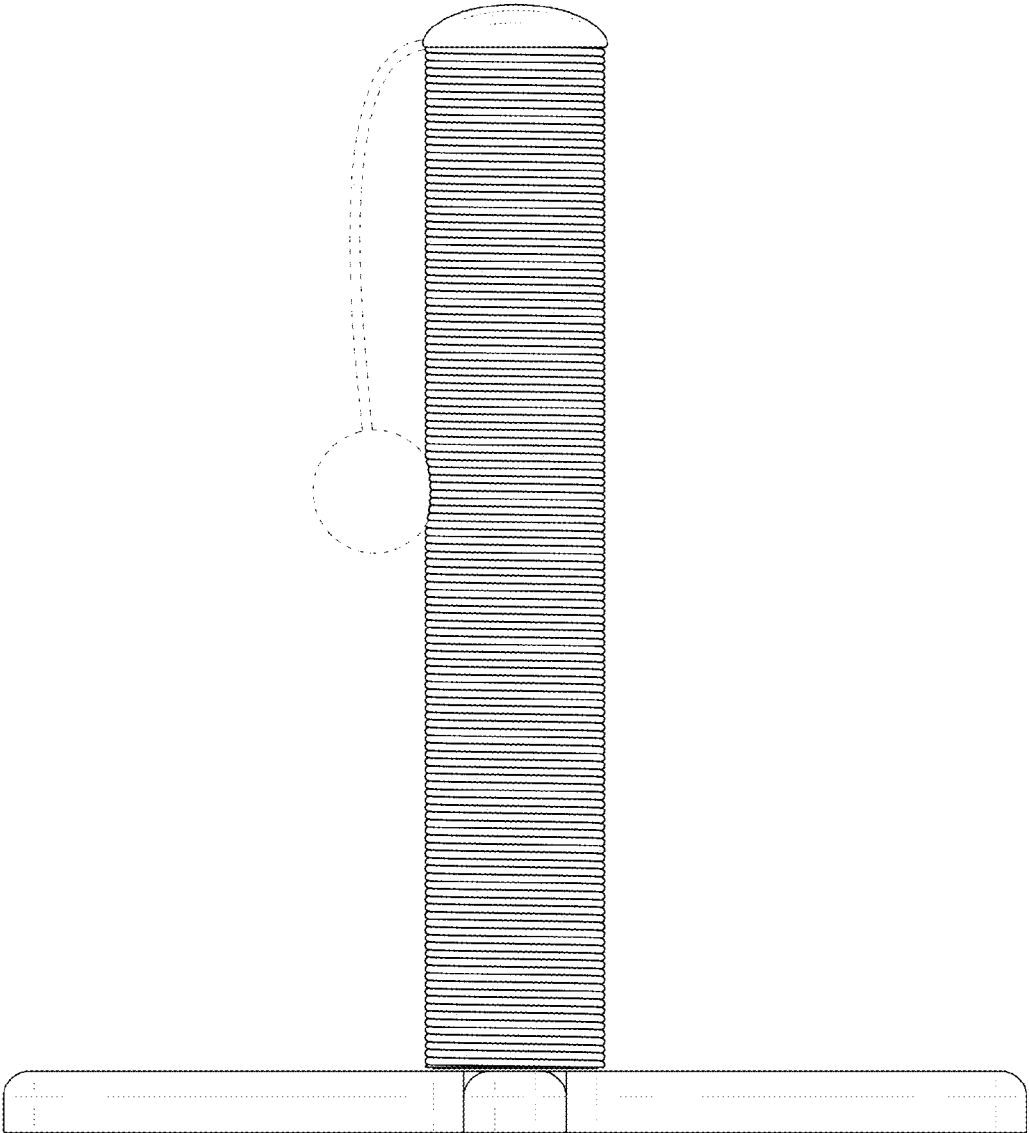


FIG. 4

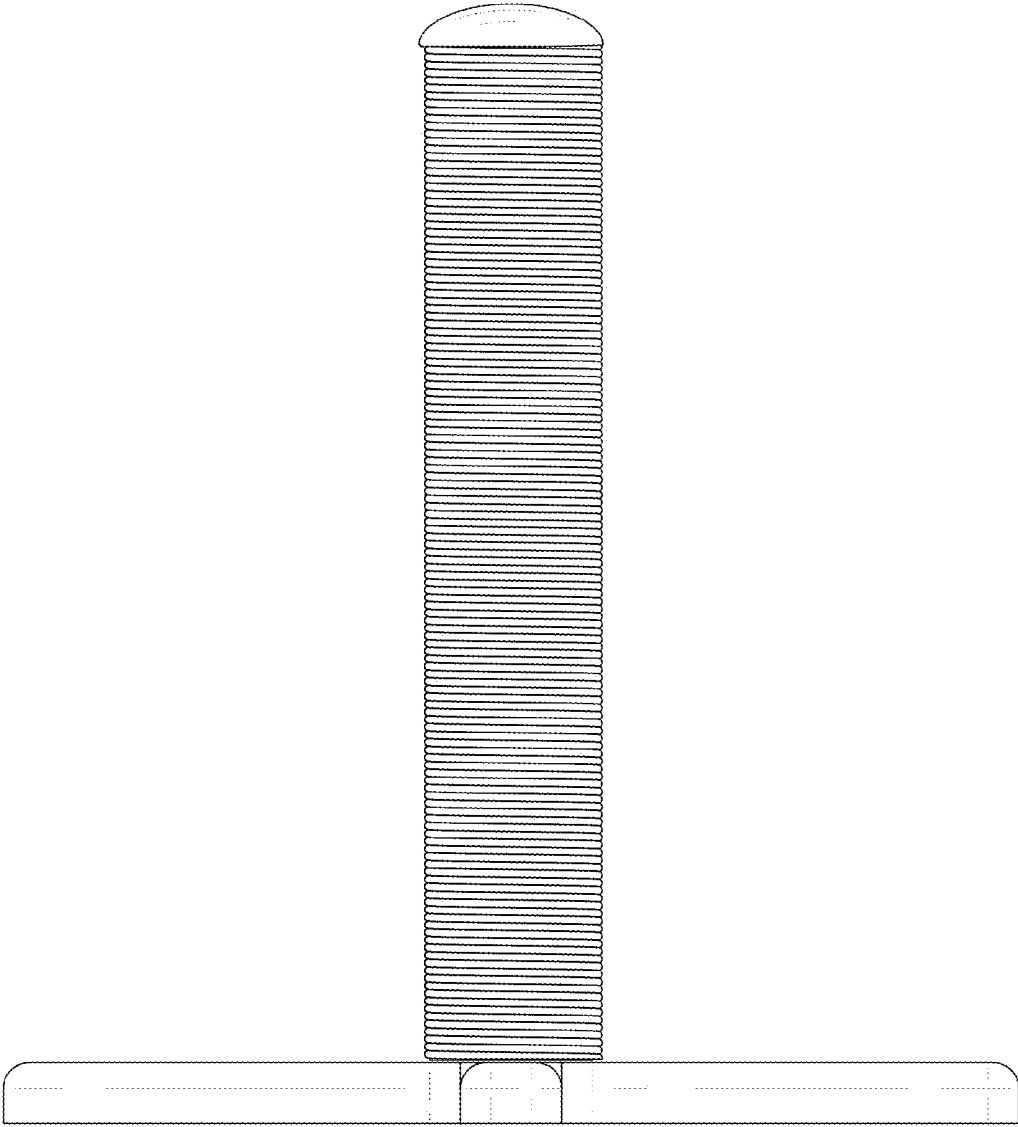


FIG. 5

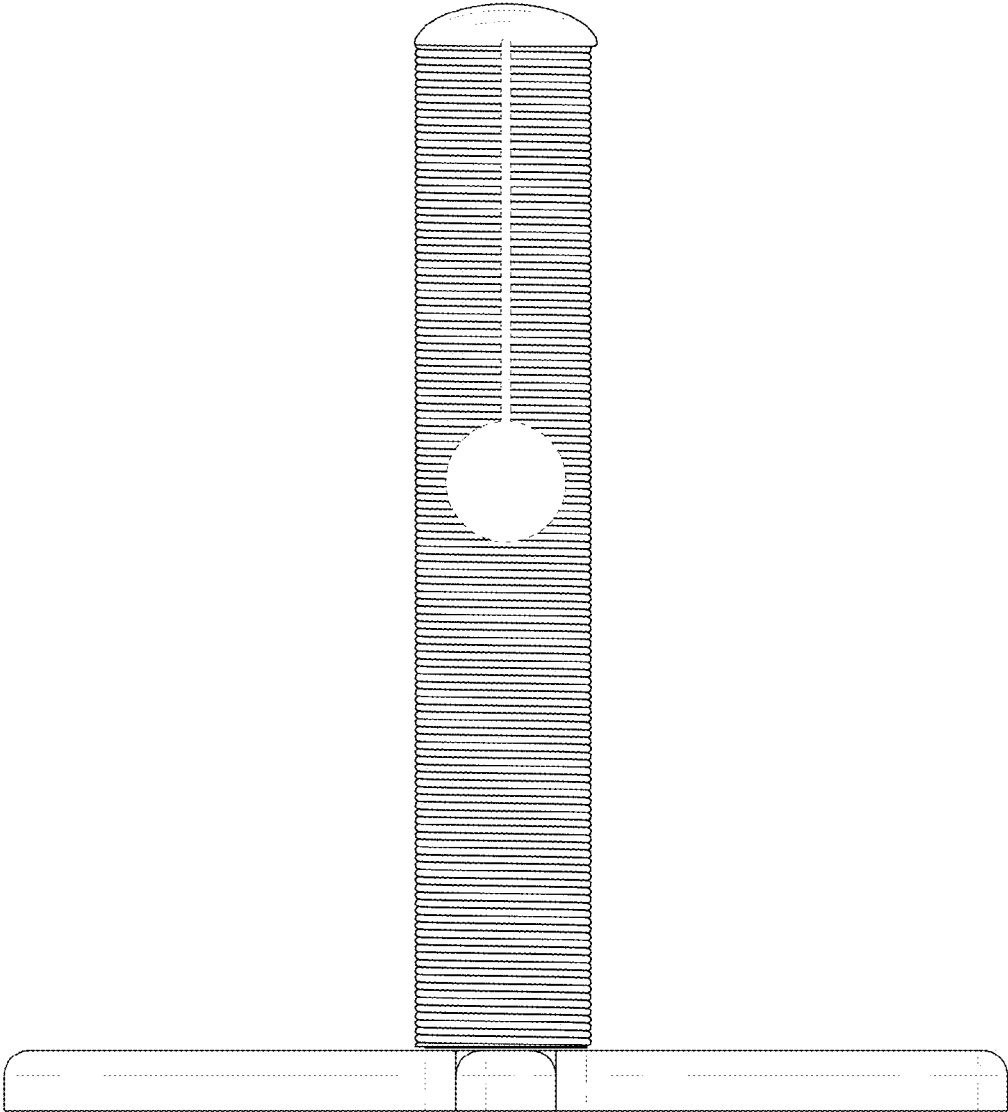


FIG. 6

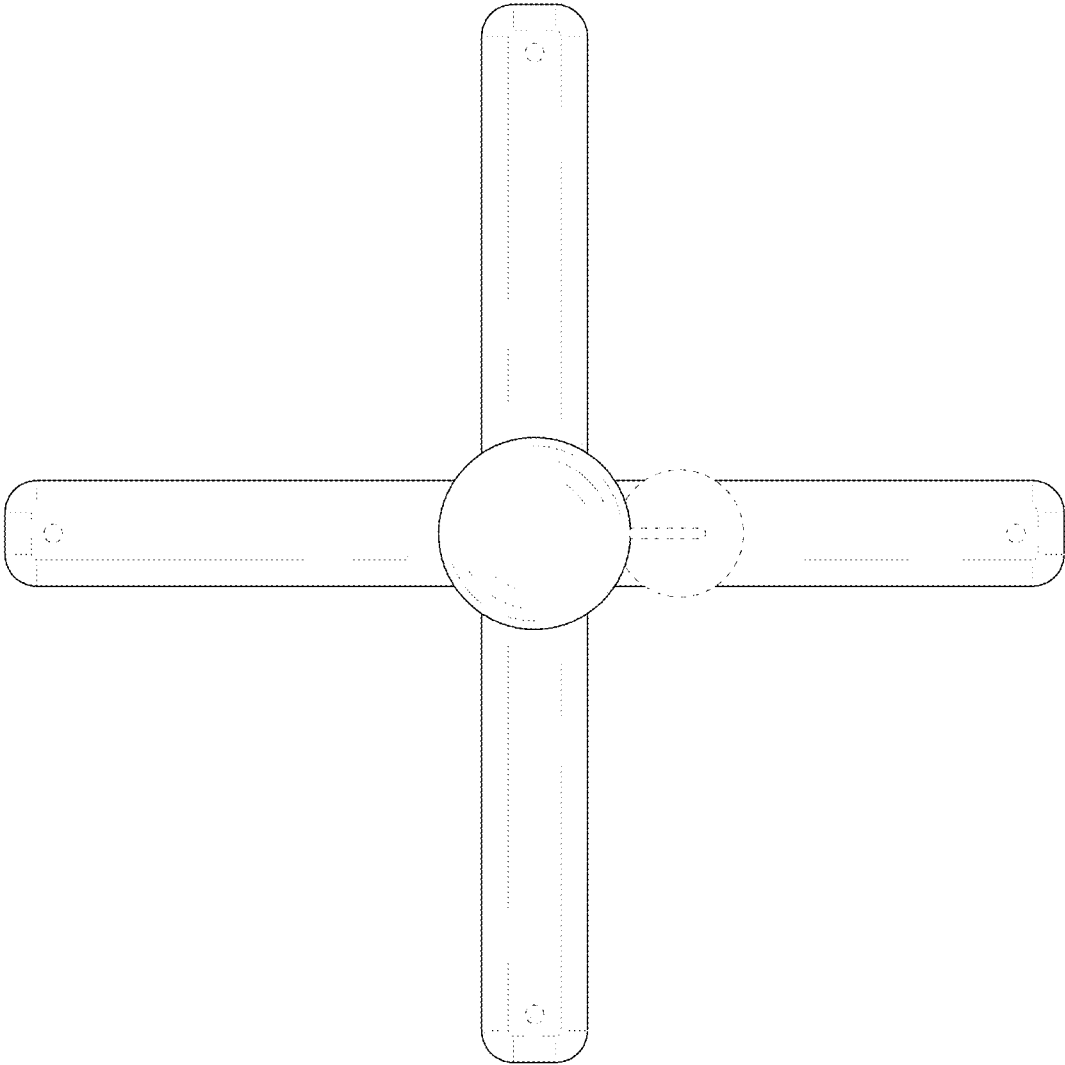


FIG. 7

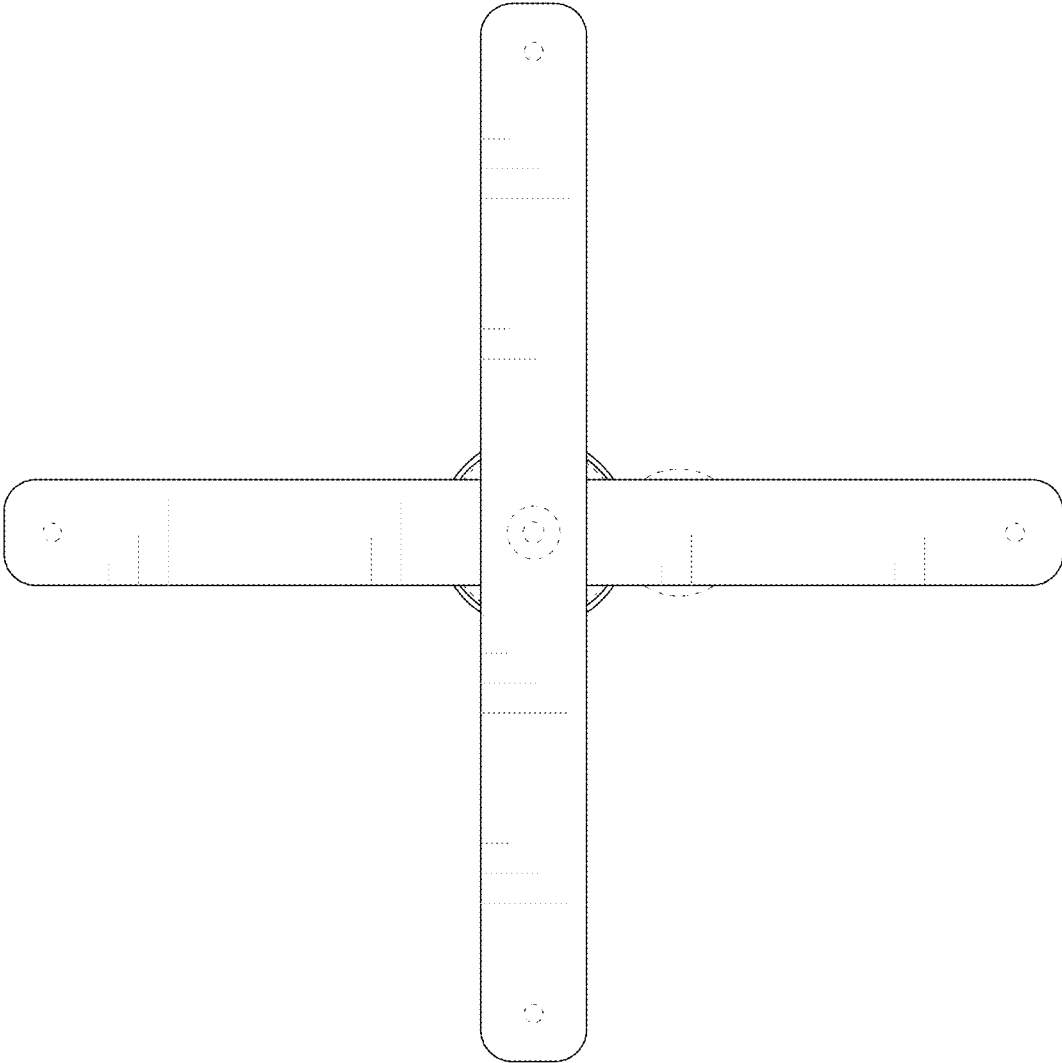


FIG. 8