

(19) World Intellectual Property Organization
International Bureau



(43) International Publication Date
8 February 2007 (08.02.2007)

PCT

(10) International Publication Number
WO 2007/016459 A3

(51) International Patent Classification:
G06Q 40/00 (2006.01)

(74) Agent: BHAVSAR, Samir, A.; BAKER BOTTS LLP,
2001 Ross Avenue, Dallas, TX 75201 (US).

(21) International Application Number:
PCT/US2006/029680

(81) Designated States (unless otherwise indicated, for every kind of national protection available): AE, AG, AL, AM, AT, AU, AZ, BA, BB, BG, BR, BW, BY, BZ, CA, CH, CN, CO, CR, CU, CZ, DE, DK, DM, DZ, EC, EE, EG, ES, FI, GB, GD, GE, GH, GM, HN, HR, HU, ID, IL, IN, IS, JP, KE, KG, KM, KN, KP, KR, KZ, LA, LC, LK, LR, LS, LT, LU, LV, LY, MA, MD, MG, MK, MN, MW, MX, MZ, NA, NG, NI, NO, NZ, OM, PG, PH, PL, PT, RO, RS, RU, SC, SD, SE, SG, SK, SL, SM, SY, TJ, TM, TN, TR, TT, TZ, UA, UG, US, UZ, VC, VN, ZA, ZM, ZW.

(22) International Filing Date: 28 July 2006 (28.07.2006)

(25) Filing Language: English

(26) Publication Language: English

(30) Priority Data:
60/703,623 29 July 2005 (29.07.2005) US
11/495,254 27 July 2006 (27.07.2006) US

(84) Designated States (unless otherwise indicated, for every kind of regional protection available): ARIPO (BW, GH, GM, KE, LS, MW, MZ, NA, SD, SL, SZ, TZ, UG, ZM, ZW), Eurasian (AM, AZ, BY, KG, KZ, MD, RU, TJ, TM), European (AT, BE, BG, CH, CY, CZ, DE, DK, EE, ES, FI, FR, GB, GR, HU, IE, IS, IT, LT, LU, LV, MC, NL, PL, PT, RO, SE, SI, SK, TR), OAPI (BF, BJ, CF, CG, CI, CM, GA, GN, GQ, GW, ML, MR, NE, SN, TD, TG).

(71) Applicant (for all designated States except US): ESPEED, INC. [US/US]; 110 E. 59th Street, New York, NY 10022 (US).

(72) Inventors; and

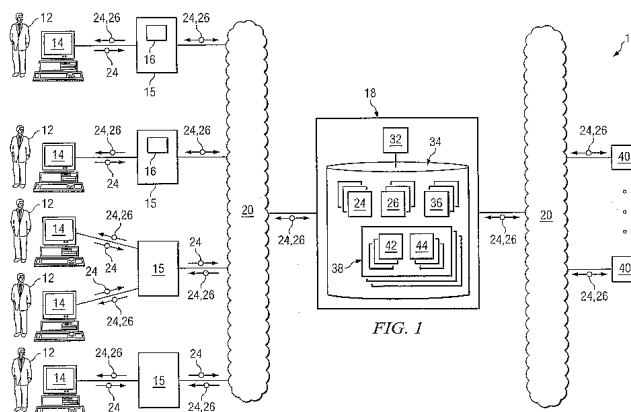
(75) Inventors/Applicants (for US only): CLAUS, Matthew, W. [US/US]; 216 Oak Ridge Avenue, Summit, NJ 07901 (US). FOLEY, Kevin, M. [US/US]; 55 East 86th Street, Apartment 15c, New York, NY 10028 (US). RENTON, Nigel, J. [AU/GB]; 10 Bolingbroke Grove, London SW11 6ER (GB).

Published:

— with international search report

(88) Date of publication of the international search report:
11 June 2009

(54) Title: SYSTEM AND METHOD FOR USING TRADER LISTS IN AN ELECTRONIC TRADING SYSTEM TO ROUTE A TRADING ORDER WITH A RESERVED SIZE



(57) Abstract: A system for managing trading orders comprises a memory operable to store a trader list that is associated with a first trader and that designates one or more other traders. The system further comprises a processor communicatively coupled to the memory and operable to receive a trading order from the first trader, wherein the trading order is for an order quantity of a first trading product. The processor is further operable to determine a first portion and a second portion of the order quantity. The processor is further operable to disclose the first portion of the order quantity to a plurality of traders. If a configurable condition is satisfied, the processor is further operable to disclose the second portion of the order quantity to one or more traders that are not designated by the trader list and to prevent the disclosure of the second portion of the order quantity to the one or more designated traders from the trader list.

WO 2007/016459 A3

INTERNATIONAL SEARCH REPORT

International application No.

PCT/US06/29680

A. CLASSIFICATION OF SUBJECT MATTER

IPC: **G06Q 40/00(2006.01)**

USPC: **705/37,36R**

According to International Patent Classification (IPC) or to both national classification and IPC

B. FIELDS SEARCHED

Minimum documentation searched (classification system followed by classification symbols)

U.S. : 705/37,36R

Documentation searched other than minimum documentation to the extent that such documents are included in the fields searched
NONE

Electronic data base consulted during the international search (name of data base and, where practicable, search terms used)
EAST

C. DOCUMENTS CONSIDERED TO BE RELEVANT

Category *	Citation of document, with indication, where appropriate, of the relevant passages	Relevant to claim No.
X	US 2002/0156716 A1 (ADATIA) 24 October 2002 (24.10.2002), entire document.	1-57

Further documents are listed in the continuation of Box C.

See patent family annex.

* Special categories of cited documents:

"A" document defining the general state of the art which is not considered to be of particular relevance	"T"	later document published after the international filing date or priority date and not in conflict with the application but cited to understand the principle or theory underlying the invention
"E" earlier application or patent published on or after the international filing date	"X"	document of particular relevance; the claimed invention cannot be considered novel or cannot be considered to involve an inventive step when the document is taken alone
"L" document which may throw doubts on priority claim(s) or which is cited to establish the publication date of another citation or other special reason (as specified)	"Y"	document of particular relevance; the claimed invention cannot be considered to involve an inventive step when the document is combined with one or more other such documents, such combination being obvious to a person skilled in the art
"O" document referring to an oral disclosure, use, exhibition or other means	"&"	document member of the same patent family
"P" document published prior to the international filing date but later than the priority date claimed		

Date of the actual completion of the international search

12 May 2008 (12.05.2008)

Date of mailing of the international search report


07 JUL 2008

Name and mailing address of the ISA/US

Mail Stop PCT, Attn: ISA/US
Commissioner for Patents
P.O. Box 1450
Alexandria, Virginia 22313-1450

Facsimile No. (571) 273-3201

Authorized officer

Hani Kazimi 
Telephone No. (571) 272-6745