



(12) **United States Design Patent**  
**Carr et al.**

(10) **Patent No.:** **US D737,799 S**  
(45) **Date of Patent:** **\*\* Sep. 1, 2015**

- (54) **HEADPHONE EAR CUPS**
- (71) Applicant: **Bose Corporation**, Framingham, MA (US)
- (72) Inventors: **Adam A. Carr**, Southborough, MA (US); **Stephen D. Boyle**, Newton, MA (US); **Joshua Kevin Dryden**, Marlborough, MA (US); **Kevin M. Krauss**, Sudbury, MA (US); **Michael E. Laude**, Upton, MA (US); **Nathan David Schaal**, Cambridge, MA (US); **Mitchell Joseph Silva**, Groton, MA (US); **Julie E. Tierney**, Shrewsbury, MA (US)

(73) Assignee: **Bose Corporation**, Framingham, MA (US)

(\*\*) Term: **14 Years**

(21) Appl. No.: **29/503,997**

(22) Filed: **Oct. 1, 2014**

**Related U.S. Application Data**

(62) Division of application No. 29/475,707, filed on Dec. 5, 2013, now Pat. No. Des. 721,052.

(51) **LOC (10) Cl.** ..... **14-01**

(52) **U.S. Cl.**  
USPC ..... **D14/205**

(58) **Field of Classification Search**

USPC ..... D14/205; 181/129, 130, 135; 379/430, 379/431; 381/380, 381, 371, 379; 455/90.3, 455/575.1

CPC ..... H04R 1/1066  
See application file for complete search history.

(56) **References Cited**

**U.S. PATENT DOCUMENTS**

1,648,832 A \* 11/1927 Urban ..... 181/129  
3,505,684 A \* 4/1970 Hutchinson et al. .... 2/209

3,562,816 A *	2/1971	Hutchinson	.....	2/209
3,787,899 A *	1/1974	Krawagna	.....	2/209
3,815,155 A *	6/1974	Davison et al.	.....	2/209
D328,461 S *	8/1992	Daido et al.	.....	D14/205
D353,817 S *	12/1994	Wada	.....	D14/205
5,406,037 A *	4/1995	Nageno et al.	.....	181/129
D549,688 S *	8/2007	Suzuki	.....	D14/205
D573,581 S *	7/2008	Gondo et al.	.....	D14/205
D581,394 S *	11/2008	Lee	.....	D14/205
D585,871 S *	2/2009	Lee	.....	D14/205

(Continued)

**OTHER PUBLICATIONS**

<http://usa.denon.com/us/product/Headphones/CriticalListening/AHD1100>, retrieved May 8, 2015.

*Primary Examiner* — Paula Greene

(57) **CLAIM**

The ornamental design for headphone ear cups, substantially as shown and described.

**DESCRIPTION**

FIG. 1 is a perspective view of a set of headphone ear cups as seen from the front and left side;

FIG. 2 is a perspective view thereof as seen from the front and right side;

FIG. 3 is a front view thereof;

FIG. 4 is a back view thereof;

FIG. 5 is a left side view thereof;

FIG. 6 is a right side view thereof;

FIG. 7 is a perspective view thereof as seen from the left side and bottom;

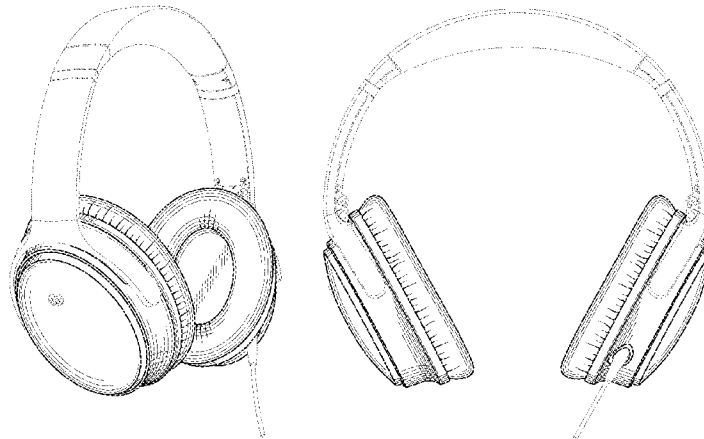
FIG. 8 is a perspective view thereof as seen from the right side and bottom;

FIG. 9 is a top end view thereof; and,

FIG. 10 is a bottom end view thereof.

The dotted line portions of the drawings represent environmental structure only and do not form part of the claimed design.

**1 Claim, 8 Drawing Sheets**



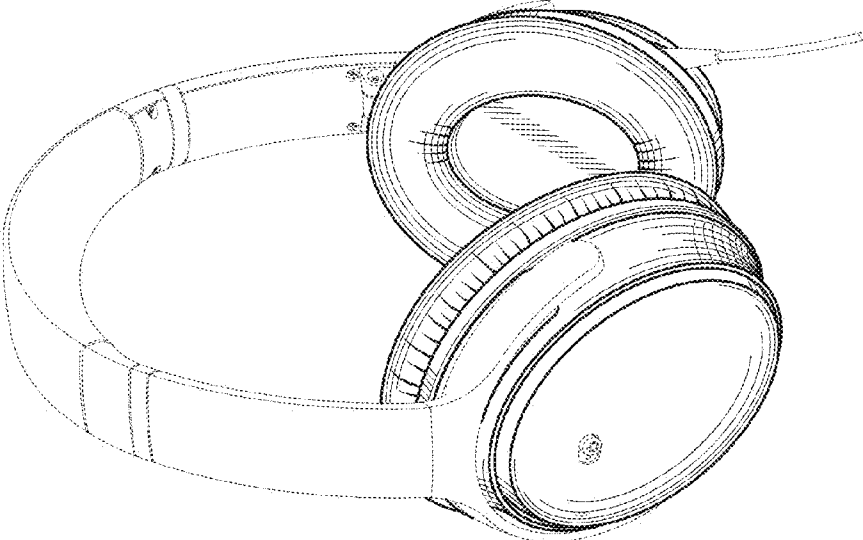
(56)

**References Cited**

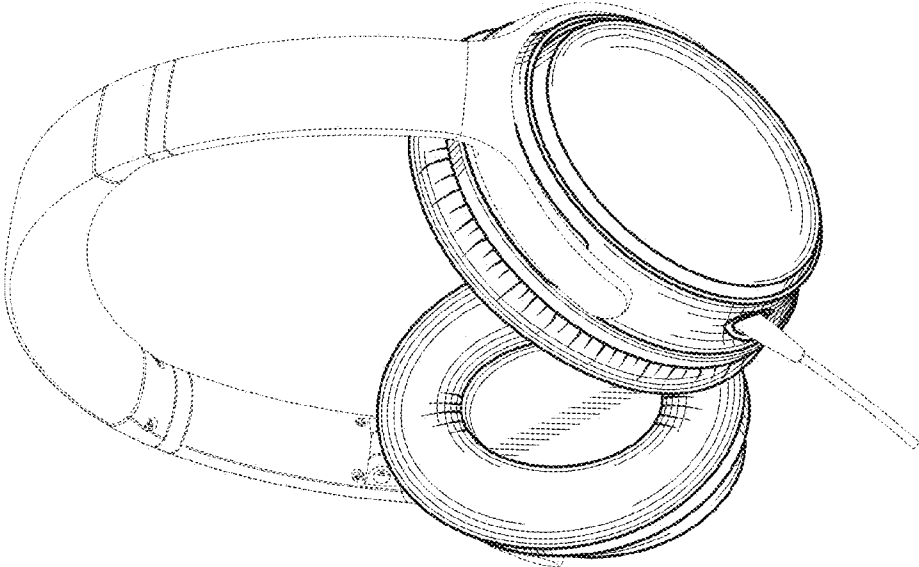
U.S. PATENT DOCUMENTS

D585,872	S *	2/2009	Lee	.....	D14/205	D662,080	S *	6/2012	Carr et al.	.....	D14/205
D594,847	S *	6/2009	Suzuki	.....	D14/205	D678,860	S *	3/2013	Hagelin	.....	D14/205
D603,370	S *	11/2009	Suzuki	.....	D14/205	D683,329	S *	5/2013	Hagelin	.....	D14/205
D637,579	S *	5/2011	Hamaura et al.	.....	D14/205	8,620,007	B2 *	12/2013	Lee et al.	.....	381/104
D642,554	S *	8/2011	Schaal et al.	.....	D14/205	D721,052	S *	1/2015	Carr et al.	.....	D14/205
8,098,872	B2 *	1/2012	Chang	.....	381/371	D722,589	S *	2/2015	Lu	.....	D14/205
						D722,590	S *	2/2015	Lu	.....	D14/205
						D729,194	S *	5/2015	Boeckel et al.	.....	D14/205

\* cited by examiner



**FIG. 1**



**FIG. 2**

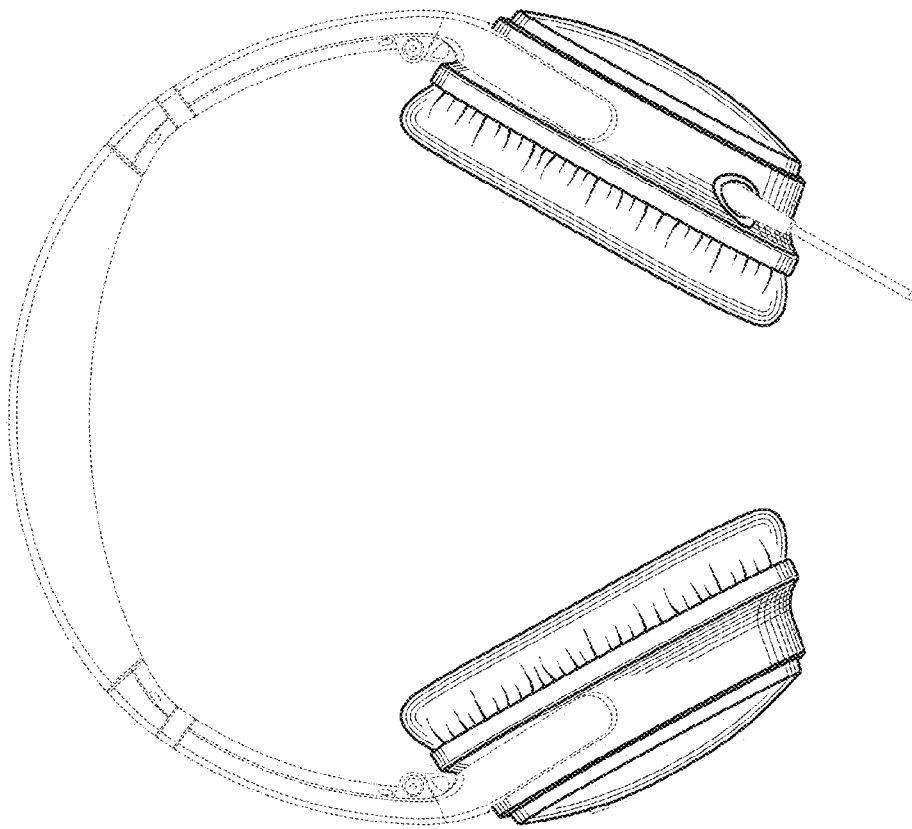
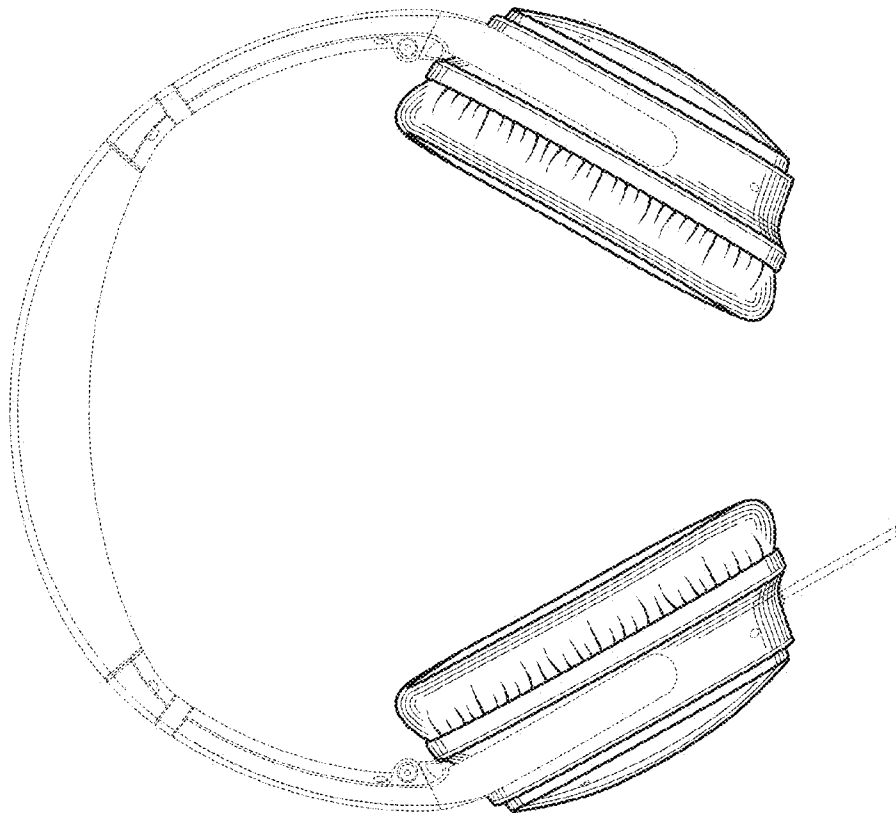
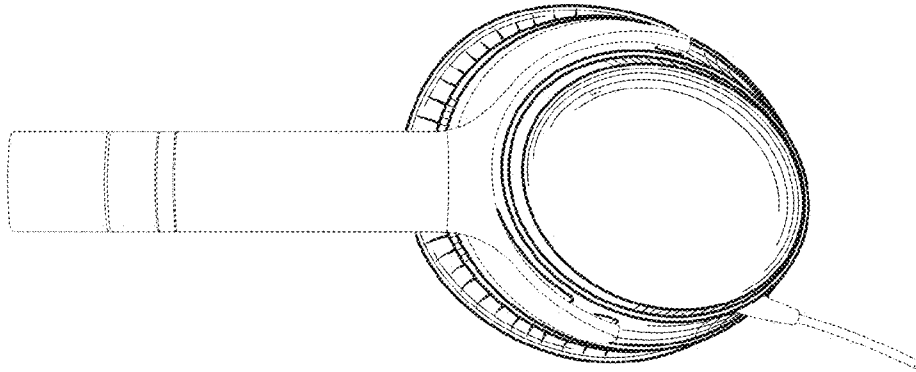


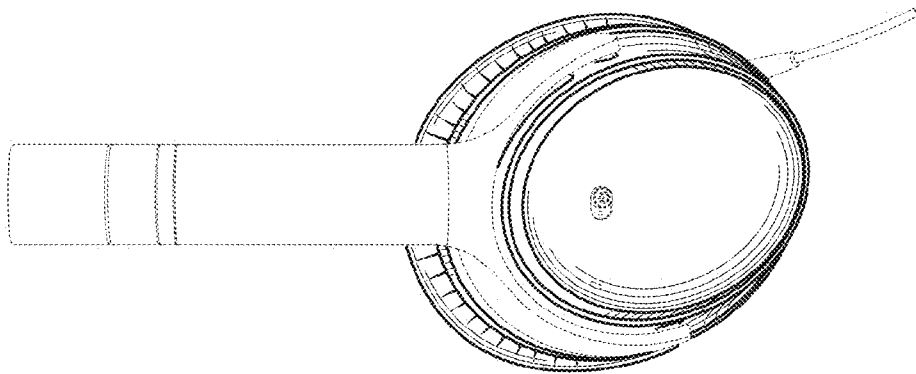
FIG. 3



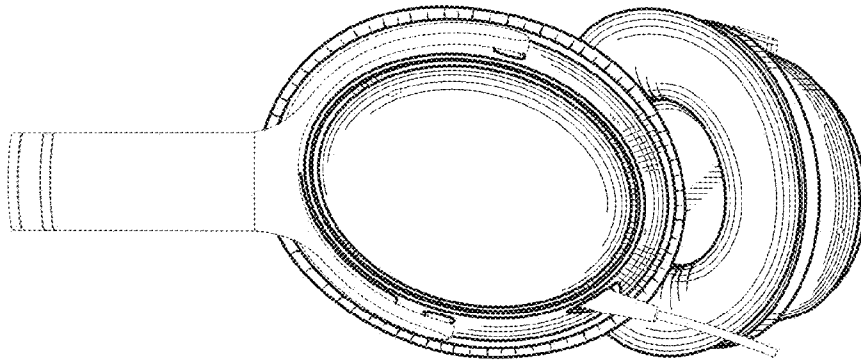
**FIG. 4**



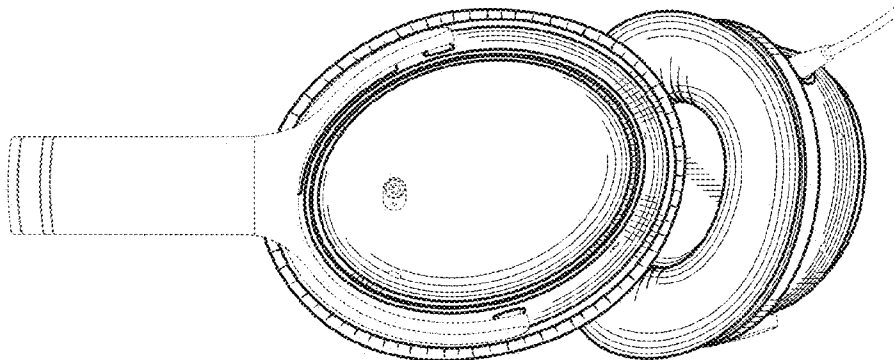
**FIG. 6**



**FIG. 5**

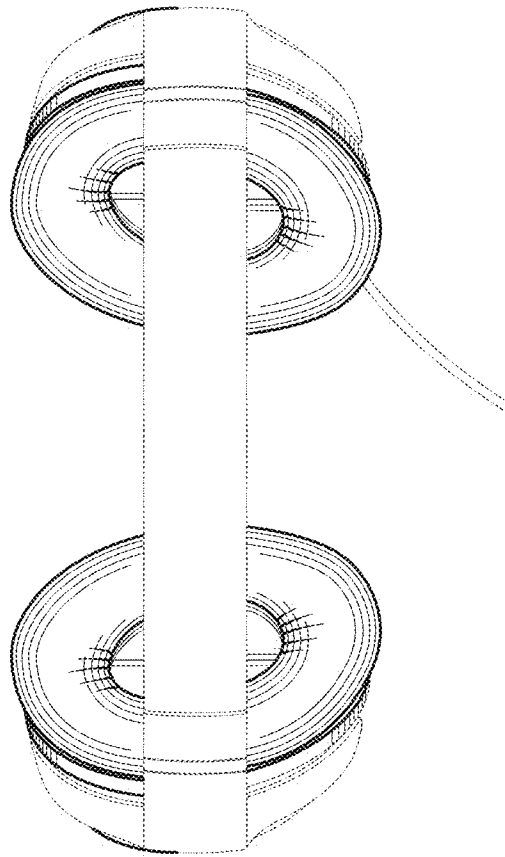


**FIG. 8**

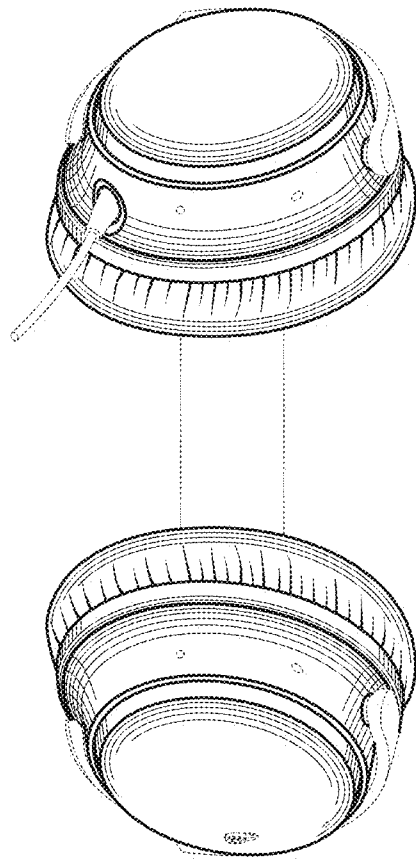


**FIG. 7**





**FIG. 9**



**FIG. 10**