



US00D577416S

(12) **United States Design Patent**
Büttgen

(10) **Patent No.:** **US D577,416 S**

(45) **Date of Patent:** **** Sep. 23, 2008**

(54) **SANITARY INSTALLATION**

(75) Inventor: **Heinz Büttgen**, Bad Krozingen (DE)

(73) Assignee: **Neoperl GmbH**, Mullheim (DE)

(**) Term: **14 Years**

(21) Appl. No.: **29/270,549**

(22) Filed: **Dec. 27, 2006**

(30) **Foreign Application Priority Data**

Jul. 3, 2006 (EM) 000554217

(51) **LOC (8) Cl.** **23-01**

(52) **U.S. Cl.** **D23/213**

(58) **Field of Classification Search** D23/213,
D23/249, 257, 259, 260-269; 239/428.5;
261/DIG. 22; D8/396; 285/1, 112, 179,
285/340, 367, 373, 404, 53, 915; 4/675-678;
403/291, 300; 411/5, 10; 137/801
See application file for complete search history.

(56) **References Cited**

U.S. PATENT DOCUMENTS

2,382,066 A * 8/1945 Klein D23/229
D235,772 S * 7/1975 Saporait D23/213
D286,319 S * 10/1986 Mathis D23/261
4,789,103 A * 12/1988 Ruhnke 239/428.5
5,467,929 A * 11/1995 Bosio 239/428.5
D379,851 S * 6/1997 Mathison D23/260
5,769,326 A * 6/1998 Muchenberger et al. . 239/428.5

6,029,912 A * 2/2000 Woolley 239/428.5
6,126,093 A * 10/2000 Grether et al. 239/428.5
6,322,004 B1 * 11/2001 Perdreau et al. 239/428.5
6,513,731 B2 * 2/2003 Griffin et al. 239/394
6,892,964 B2 * 5/2005 Grether et al. 239/428.5
D537,916 S * 3/2007 Buttgen D23/213
D570,966 S * 6/2008 Gilligan D23/260
D571,898 S * 6/2008 Gilligan D23/260
2004/0074992 A1 * 4/2004 Fleischmann 239/428.5
2006/0011748 A1 * 1/2006 Ferrari 239/428.5
2006/0102750 A1 * 5/2006 Grether 239/428.5
2006/0273203 A1 * 12/2006 Denzler 239/428.5

* cited by examiner

Primary Examiner—Louis S Zarfaz

Assistant Examiner—Michael A Pratt

(74) *Attorney, Agent, or Firm*—Volpe and Koenig, P.C.

(57) **CLAIM**

The ornamental design for a sanitary installation, as shown and described.

DESCRIPTION

FIG. 1 is a top perspective view of a sanitary installation showing my new design;

FIG. 2 is a bottom perspective view thereof;

FIG. 3 is a top plan view thereof;

FIG. 4 is a front elevational view thereof;

FIG. 5 is a side elevational view thereof; and,

FIG. 6 is a bottom plan view thereof.

1 Claim, 3 Drawing Sheets

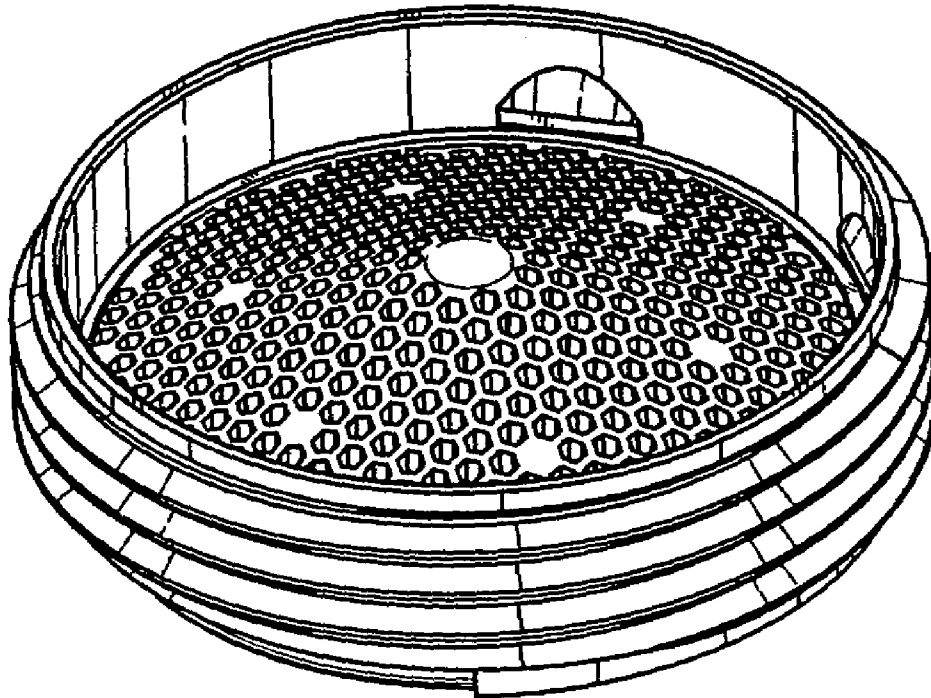


FIG. 1

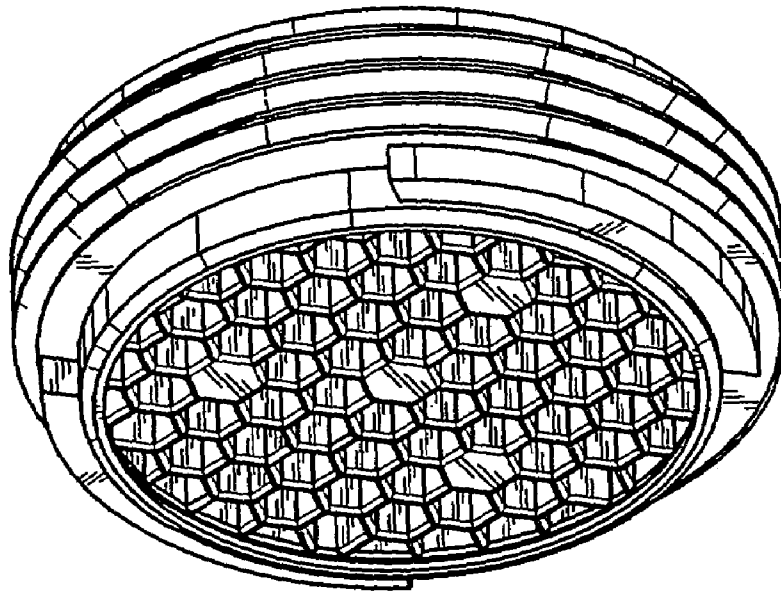
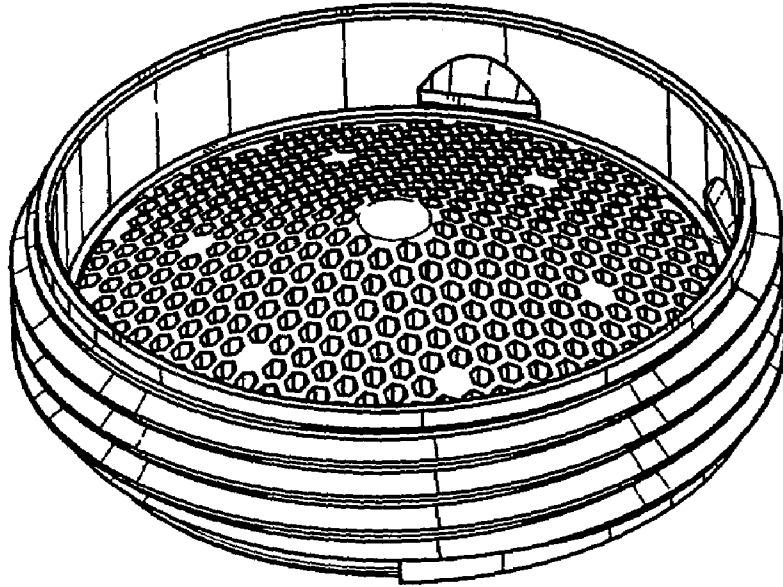


FIG. 2

FIG. 3

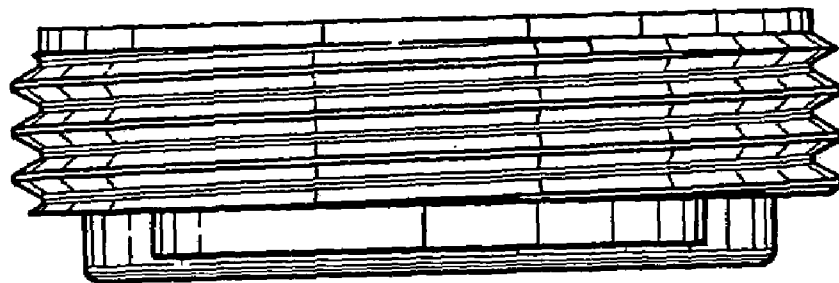
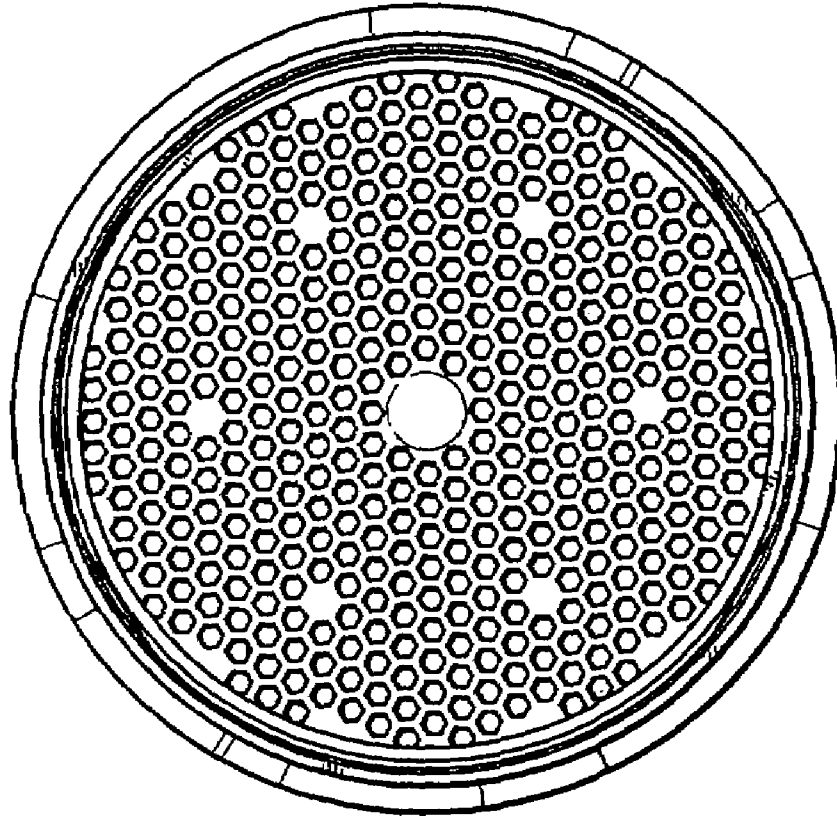


FIG. 4

FIG. 5

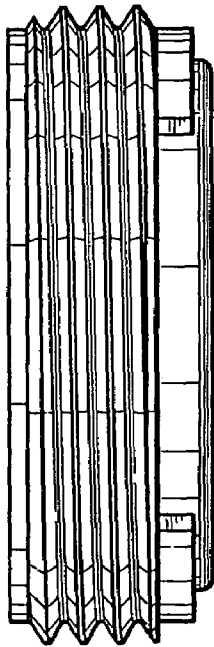


FIG. 6

