



US00D471594S

(12) **United States Design Patent**
Nojo

(10) **Patent No.:** **US D471,594 S**

(45) **Date of Patent:** **** Mar. 11, 2003**

- (54) **SIMULATION GAME MACHINE**
- (75) **Inventor:** **Kazuhiro Nojo, Tokyo (JP)**
- (73) **Assignee:** **Sega Corporation, Tokyo (JP)**
- (**) **Term:** **14 Years**
- (21) **Appl. No.:** **29/157,171**
- (22) **Filed:** **Mar. 14, 2002**
- (30) **Foreign Application Priority Data**
 Sep. 17, 2001 (JP) 2001-031074
- (51) **LOC (7) Cl.** **21-01**
- (52) **U.S. Cl.** **D21/326**
- (58) **Field of Search** D21/324-327,
 D21/333, 811; 273/148 B; 463/1, 29-35,
 46, 47, 49, 50, 51, 58

- 5,299,810 A * 4/1994 Pierce et al. 463/30 X
- 5,439,230 A * 8/1995 Mendes, Jr. 463/51 X
- D392,688 S * 3/1998 Isetani et al. D21/326
- D403,024 S * 12/1998 Muraki et al. 321/326
- D407,758 S * 4/1999 Isetani et al. D21/326
- D407,759 S * 4/1999 Isetani et al. D21/326

* cited by examiner

Primary Examiner—Prabhakar Deshmukh

(74) *Attorney, Agent, or Firm*—Ladas & Parry

(57) **CLAIM**

The ornamental design for a simulation game machine, as shown and described.

DESCRIPTION

FIG. 1 is a front view of a simulation game machine showing my new design;
 FIG. 2 is a rear view thereof;
 FIG. 3 is a right side view thereof;
 FIG. 4 is a left side view thereof; and,
 FIG. 5 is a top view thereof.
 The broken lines are for illustrative purposes only and form no part of the claimed design.

- (56) **References Cited**
U.S. PATENT DOCUMENTS
 4,225,140 A * 9/1980 D'Andrade et al. 273/356
 4,960,117 A * 10/1990 Mongrief et al. 463/46
 D318,073 S * 7/1991 Jang D21/326

1 Claim, 5 Drawing Sheets

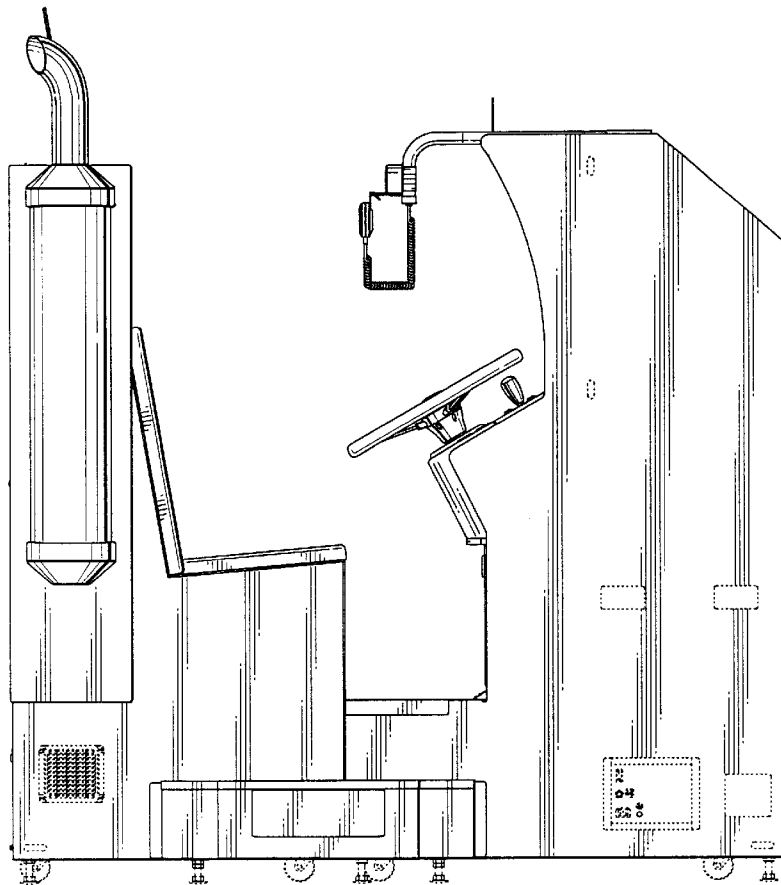


FIG. 1

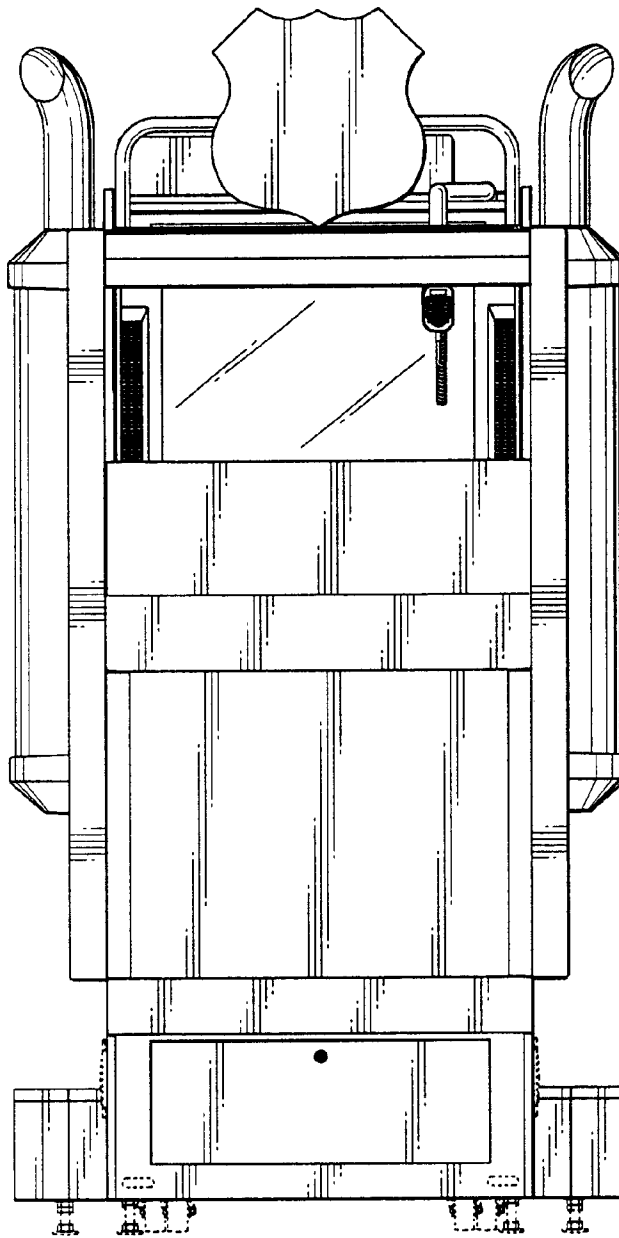


FIG. 2

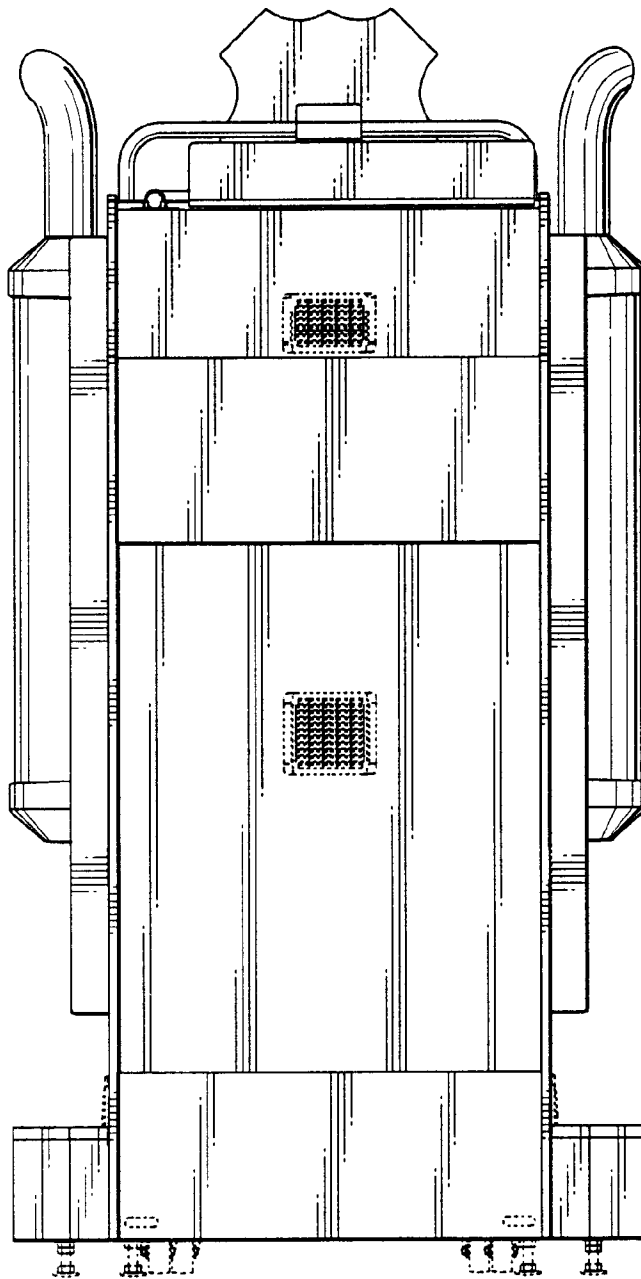


FIG. 3

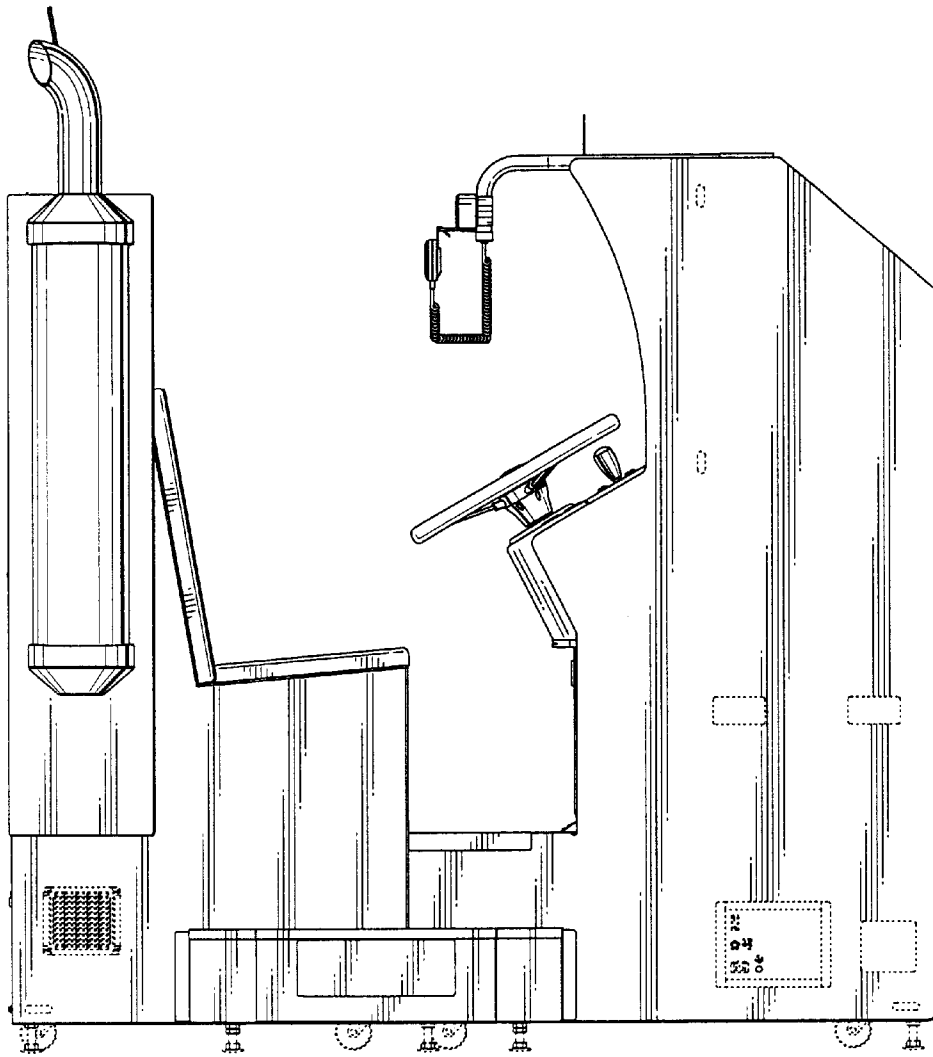


FIG. 4

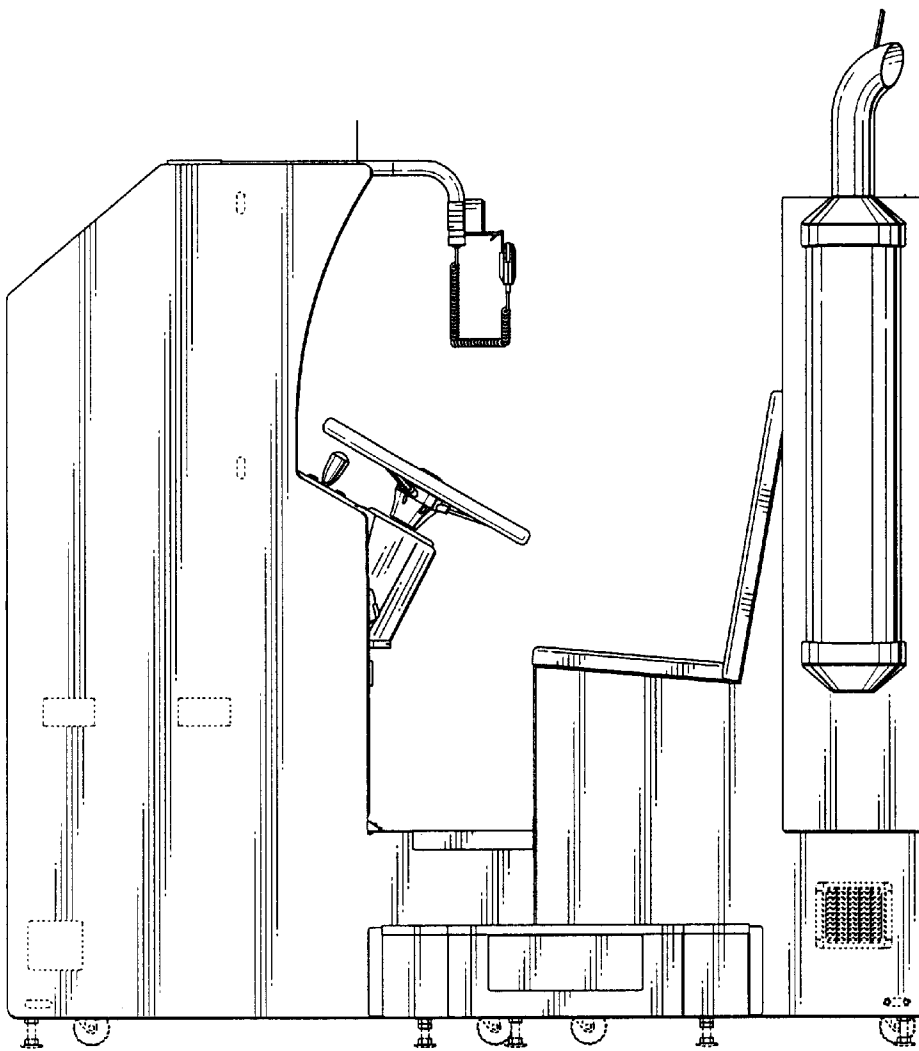


FIG. 5

