



US00D830528S

(12) **United States Design Patent**  
**Zhou et al.**

(10) **Patent No.:** **US D830,528 S**  
(45) **Date of Patent:** **\*\* Oct. 9, 2018**

- (54) **DEHUMIDIFIER**
- (71) Applicants: **GD MIDEA AIR-CONDITIONING EQUIPMENT CO., LTD.**, Foshan, GD. (CN); **MIDEA GROUP CO., LTD.**, Foshan, Guangdong (CN)
- (72) Inventors: **Lilong Zhou**, Foshan (CN); **Jiabing Ye**, Foshan (CN)
- (73) Assignees: **GD MIDEA AIR-CONDITIONING EQUIPMENT CO., LTD.**, Foshan, GD (CN); **MIDEA GROUP CO., LTD.**, Foshan, Guangdong (CN)

D550,343	S	*	9/2007	Chen	.....	D23/364
D550,826	S	*	9/2007	Murai	.....	D23/364
D557,783	S	*	12/2007	Yoo	.....	D23/359
D575,857	S	*	8/2008	Chiu	.....	D23/333
D586,451	S	*	2/2009	Murai	.....	D23/364
D595,824	S	*	7/2009	Ohta	.....	D23/364
D595,825	S	*	7/2009	Ohta	.....	D23/364
D595,826	S	*	7/2009	Ohta	.....	D23/364
D595,827	S	*	7/2009	Satou	.....	D23/364
D598,087	S	*	8/2009	Park, II	.....	D23/333
D599,456	S	*	9/2009	Choi	.....	D23/364
D603,496	S	*	11/2009	Murai	.....	D23/364
D605,272	S	*	12/2009	Chun	.....	D23/359

(Continued)

*Primary Examiner* — David Muller  
*Assistant Examiner* — Nathan Johnston  
(74) *Attorney, Agent, or Firm* — Morgan, Lewis & Bockius LLP

(\*\*) Term: **15 Years**

(21) Appl. No.: **29/622,034**

(22) Filed: **Oct. 13, 2017**

(30) **Foreign Application Priority Data**

Jun. 7, 2017 (CN) ..... 2017 3 0228902

(51) **LOC (11) Cl.** ..... **23-04**

(52) **U.S. Cl.**  
USPC ..... **D23/364**

(58) **Field of Classification Search**  
USPC ..... D23/355–366, 352, 369, 332, 333, 335, D23/336, 342, 351; 422/120, 122; 55/356, 473, 504; 96/97; D14/188, 170, D14/172; 261/DIG. 17; D18/34.6  
CPC .. A61L 9/16; A61L 9/22; B01D 47/00; B01D 47/027; B01D 2221/02; B01D 2259/4508; B03C 3/155; B03C 3/368; F24F 3/16; F24F 13/20; F24F 13/28; F24F 2001/0096

See application file for complete search history.

(56) **References Cited**

**U.S. PATENT DOCUMENTS**

D472,626	S	*	4/2003	Nakamura	.....	D23/364
D498,296	S	*	11/2004	Shimizu	.....	D23/364

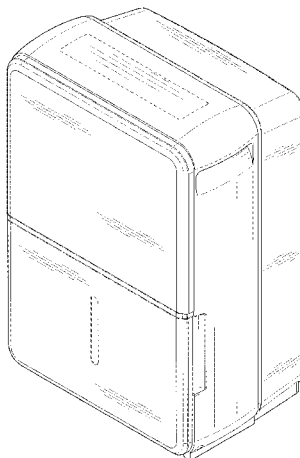
(57) **CLAIM**

The ornamental design for a dehumidifier, as shown and described.

**DESCRIPTION**

FIG. 1 is a front perspective view of a dehumidifier showing our new design;  
FIG. 2 is a rear perspective view thereof;  
FIG. 3 is a front elevation view thereof;  
FIG. 4 is a rear elevation view thereof;  
FIG. 5 is a right-side elevation view thereof;  
FIG. 6 is a left-side elevation view thereof;  
FIG. 7 is a top plan view thereof; and,  
FIG. 8 is a bottom plan view thereof.  
The broken lines immediately adjacent to the shaded areas in the figures represent the boundaries of the claimed design. The broken lines in the figures illustrate the portions of the design that form no part of the claimed design. None of the broken lines form any part of the claimed design.

**1 Claim, 8 Drawing Sheets**



(56)

**References Cited**

U.S. PATENT DOCUMENTS

D613,386	S	*	4/2010	Niki	.....	D23/364
D613,387	S	*	4/2010	Satou	.....	D23/364
D616,081	S	*	5/2010	Chiu	.....	D23/333
D634,829	S	*	3/2011	Niki	.....	D23/355
D644,312	S	*	8/2011	Tsuji	.....	D23/364
D658,280	S	*	4/2012	Niki	.....	D23/364
D702,825	S	*	4/2014	Satou	.....	D23/364
D746,426	S	*	12/2015	Zhao	.....	D23/359
D783,793	S	*	4/2017	Satou	.....	D23/364
D799,015	S	*	10/2017	Tang	.....	D23/364
D810,259	S	*	2/2018	You	.....	D23/364

\* cited by examiner

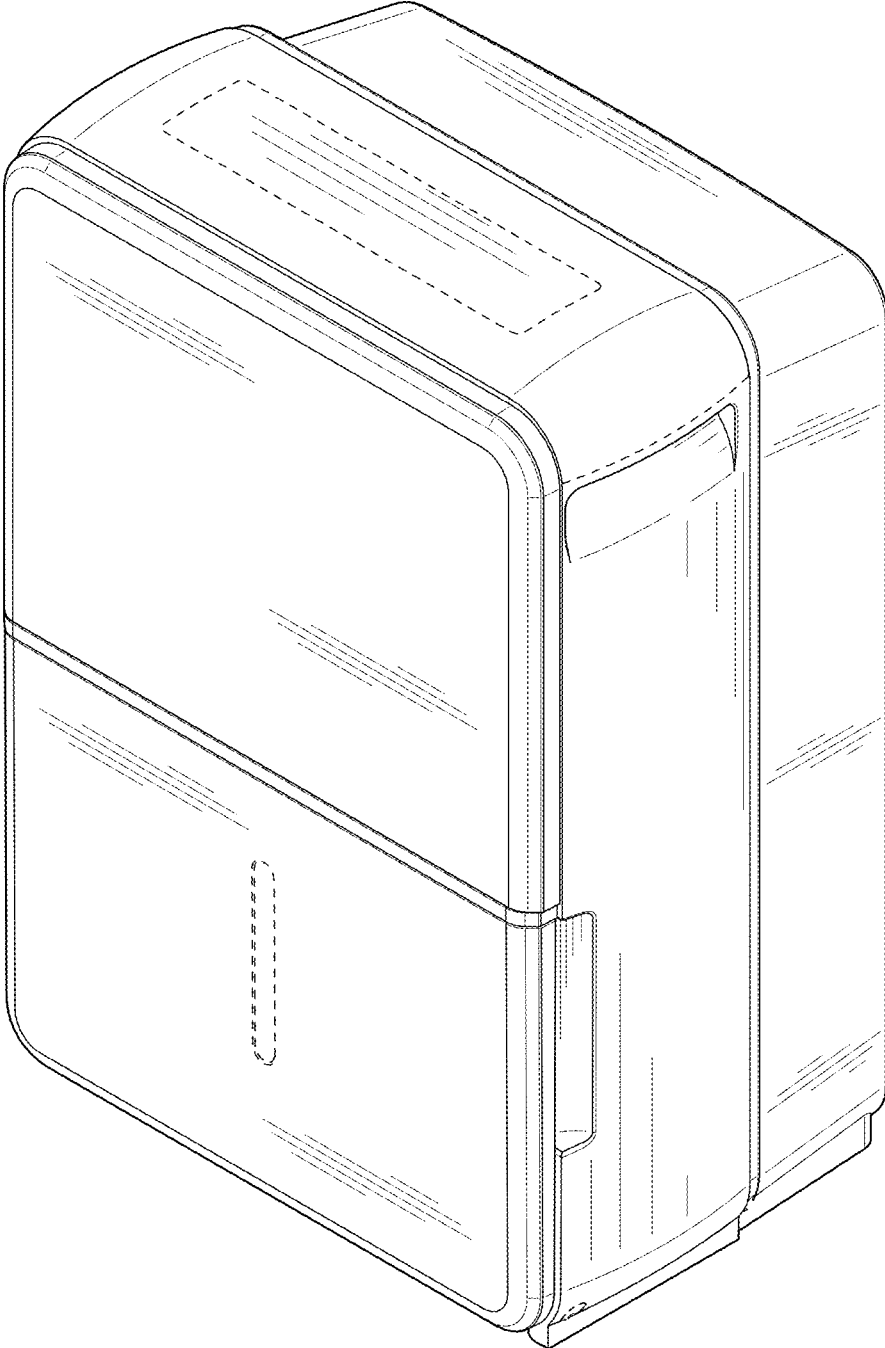


FIG. 1

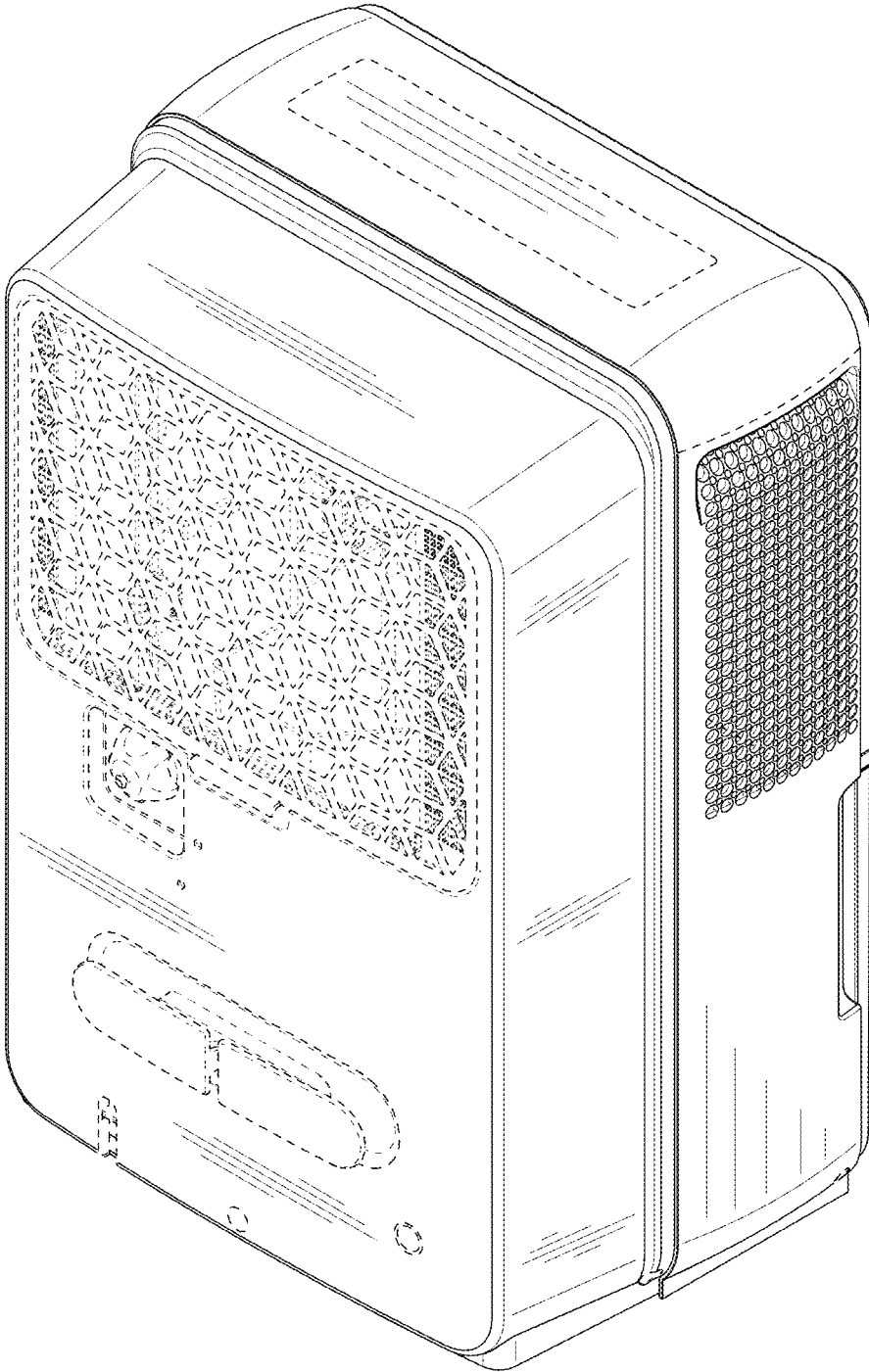


FIG. 2

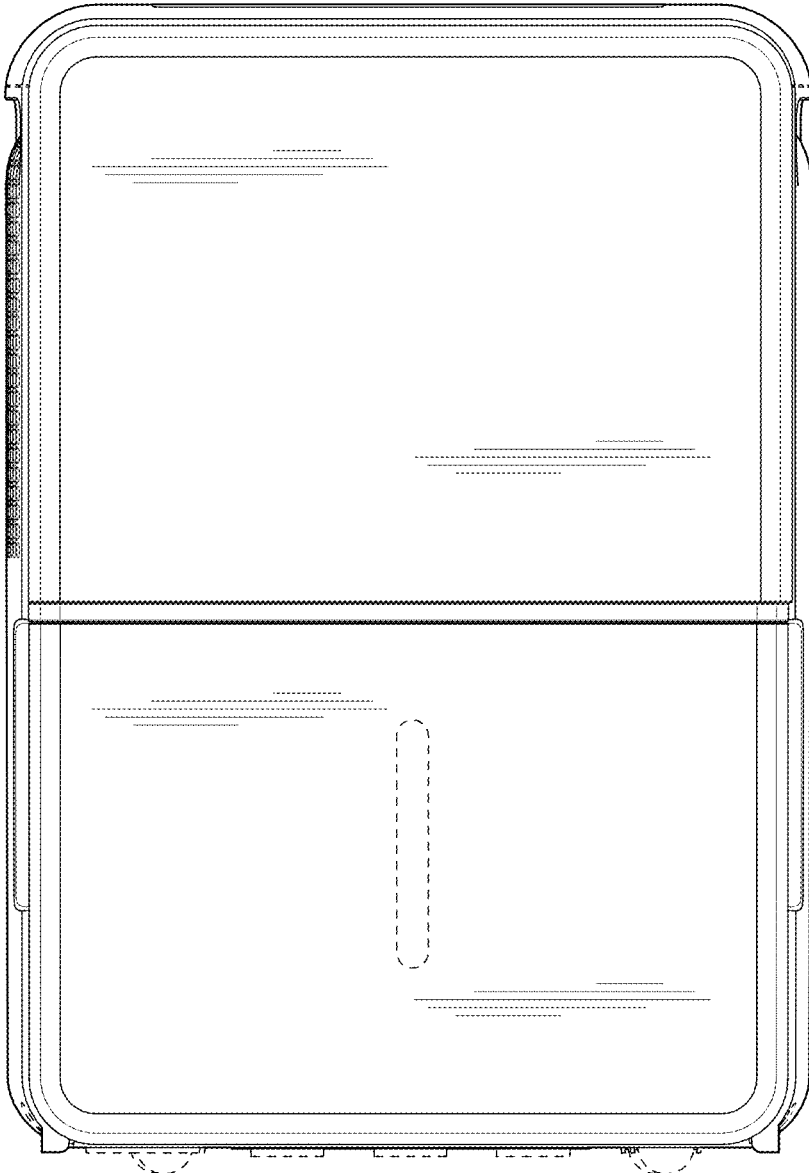


FIG. 3

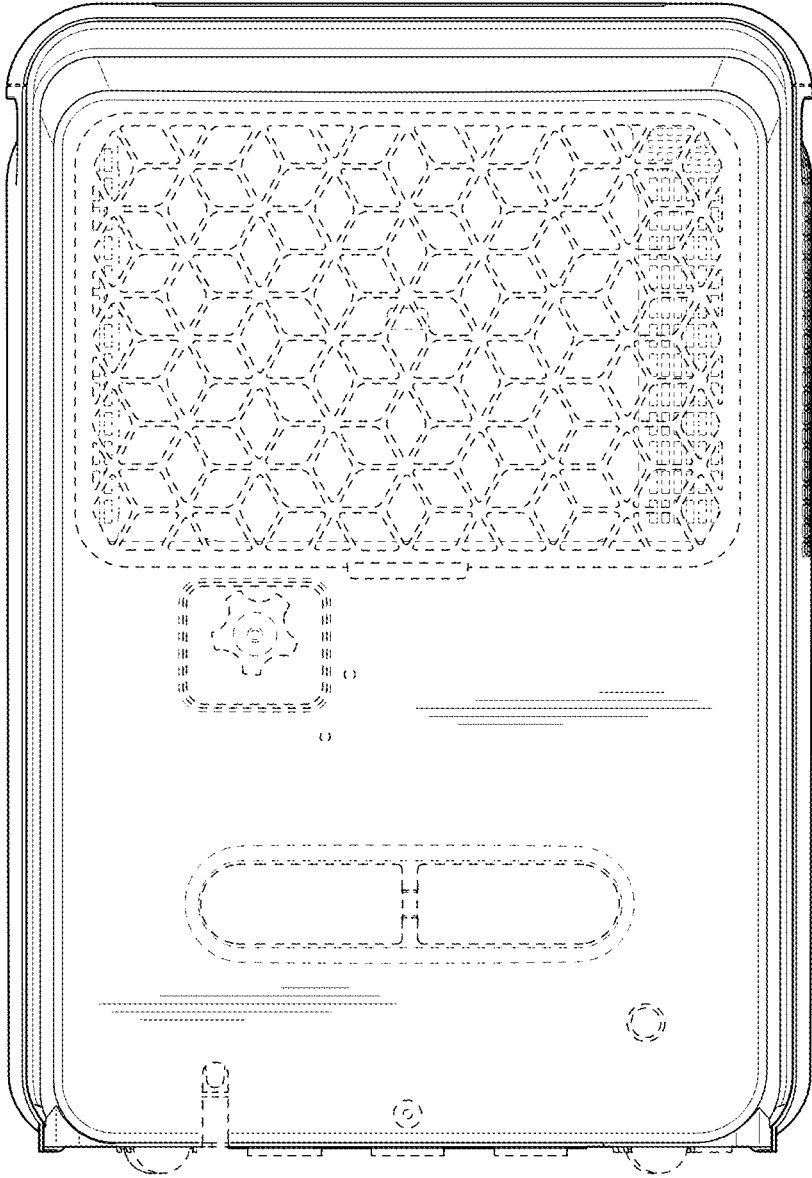


FIG. 4

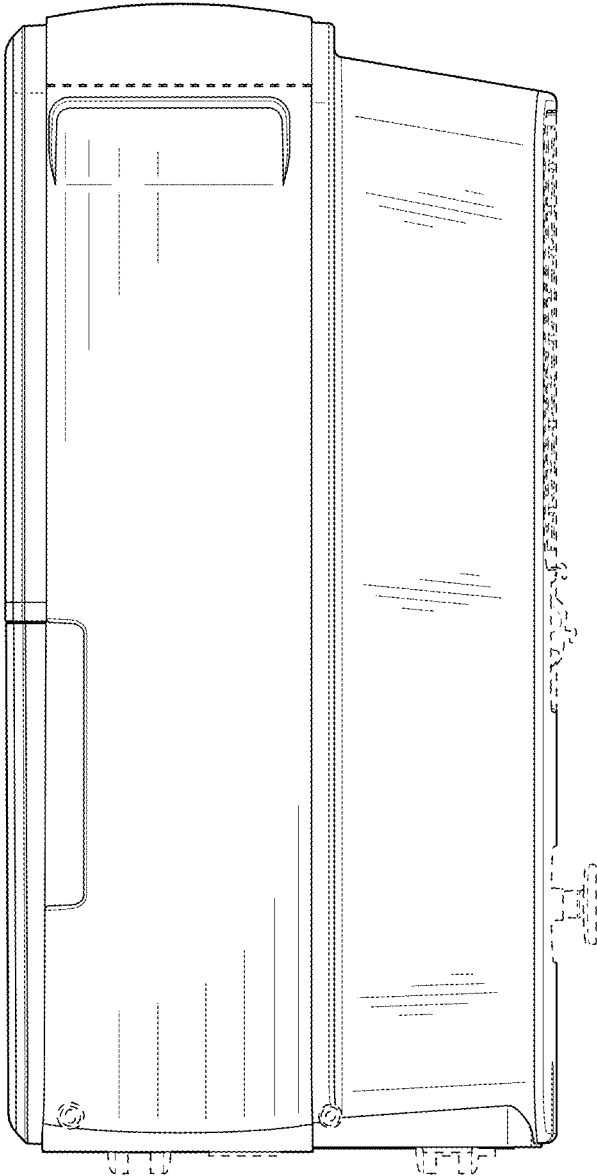


FIG. 5

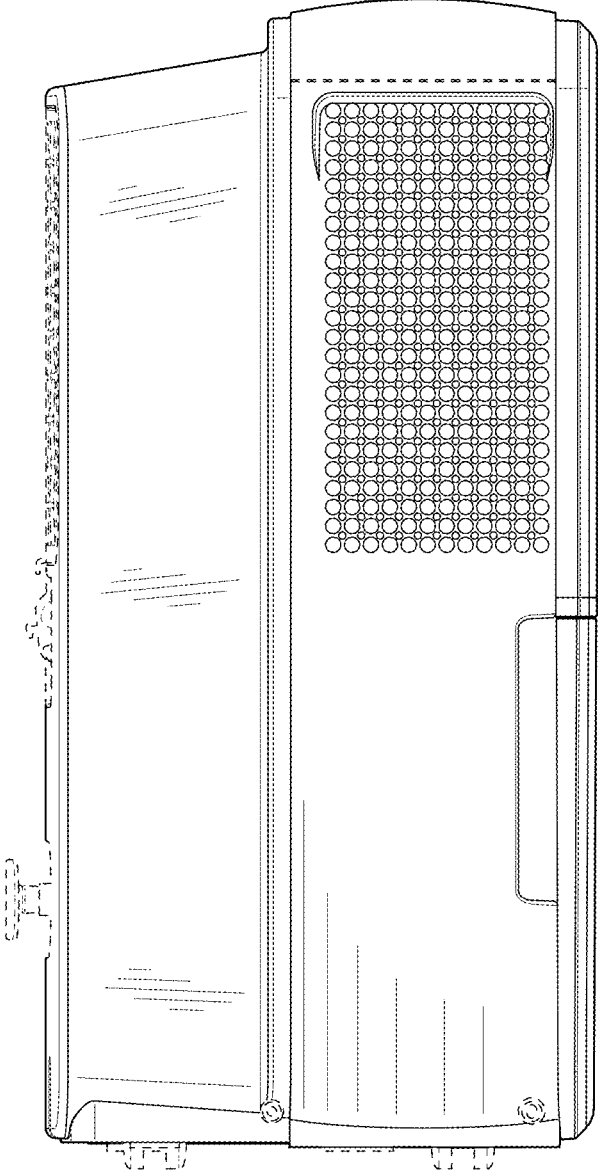


FIG. 6



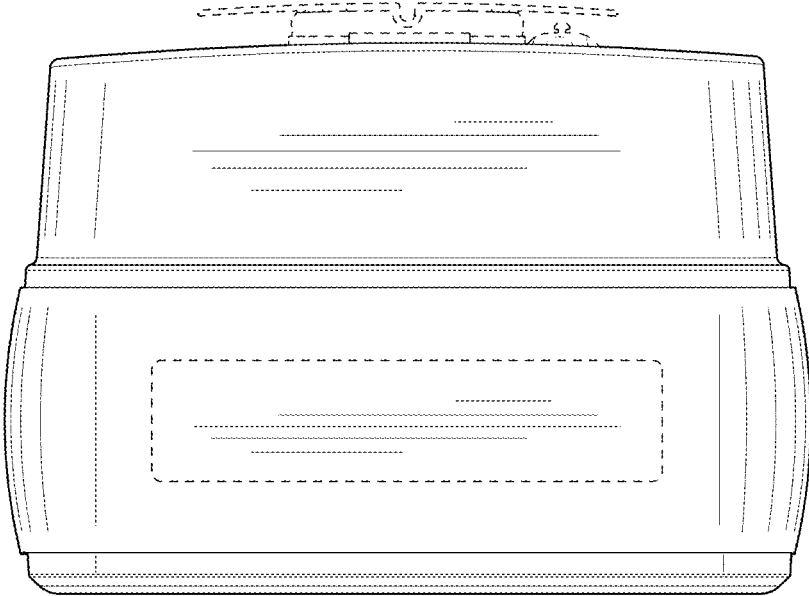


FIG. 7

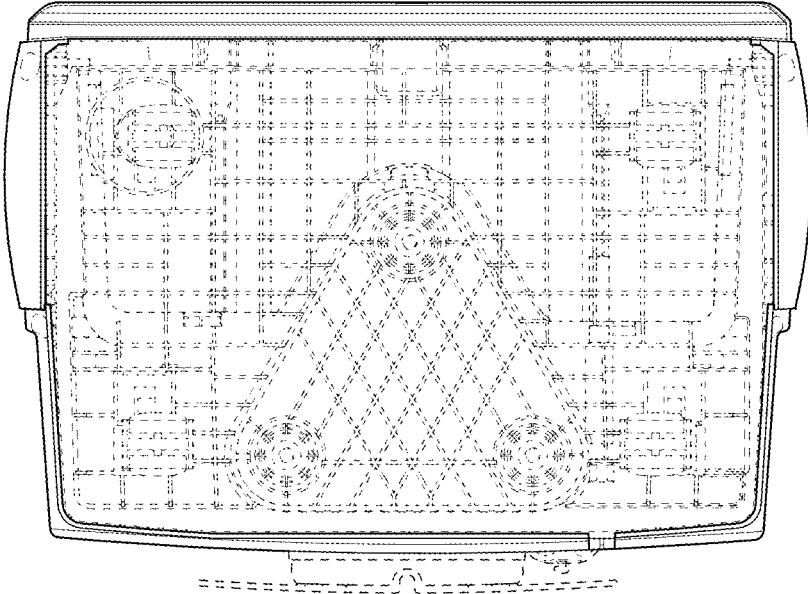


FIG. 8