



US00D423130S

United States Patent [19] Kung

[11] Patent Number: **Des. 423,130**

[45] Date of Patent: **** Apr. 18, 2000**

[54] **BOOKLIGHT**

[76] Inventor: **Chi Hung Kung**, 35/F, Flat B, Block One, Well On Garden, Tseung Kwan O, Kowloon, The Hong Kong Special Administrative Region of the People's Republic of China

[**] Term: **14 Years**

[21] Appl. No.: **29/093,941**

[22] Filed: **Sep. 22, 1998**

[30] Foreign Application Priority Data

Apr. 20, 1998 [HK] The Hong Kong Special Administrative Region of the People's Republic of China 9810542

[51] **LOC (6) Cl.** **26-05**

[52] **U.S. Cl.** **D26/60**

[58] **Field of Search** D26/60, 63, 65, D26/61; 362/269, 279, 285, 98, 418, 419, 427, 396, 191

[56] References Cited

U.S. PATENT DOCUMENTS

D. 255,275 6/1980 Brown D26/60

D. 395,723	6/1998	Zeller	D26/60
D. 397,468	8/1998	Zeller	D26/60
5,180,220	1/1993	Van Kalsbeek	362/98
5,695,271	12/1997	Zeller	362/98

Primary Examiner—Freda Nunn
Attorney, Agent, or Firm—Limbach & Limbach L.L.P.

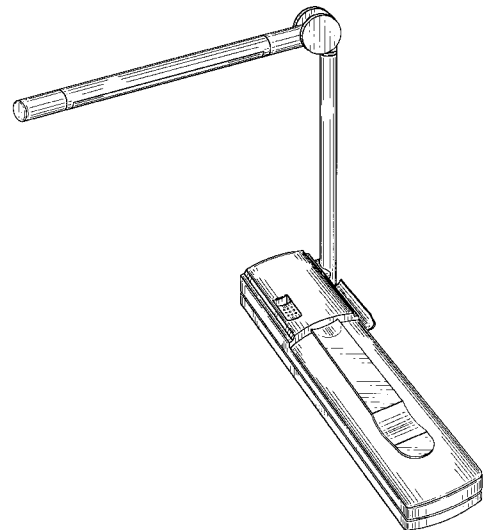
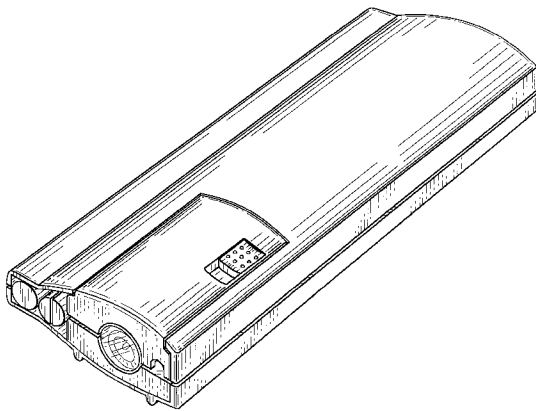
[57] CLAIM

The ornamental design for the booklight, as shown and described.

DESCRIPTION

FIG. 1 is a first perspective view of a booklight showing my design;
FIG. 2 is a second perspective view showing the light stem in an operational position;
FIG. 3 is a front view thereof;
FIG. 4 is a right side view thereof;
FIG. 5 is a top plan view thereof;
FIG. 6 is a bottom plan view thereof;
FIG. 7 is a left side view thereof; and,
FIG. 8 is a back view thereof.

1 Claim, 4 Drawing Sheets



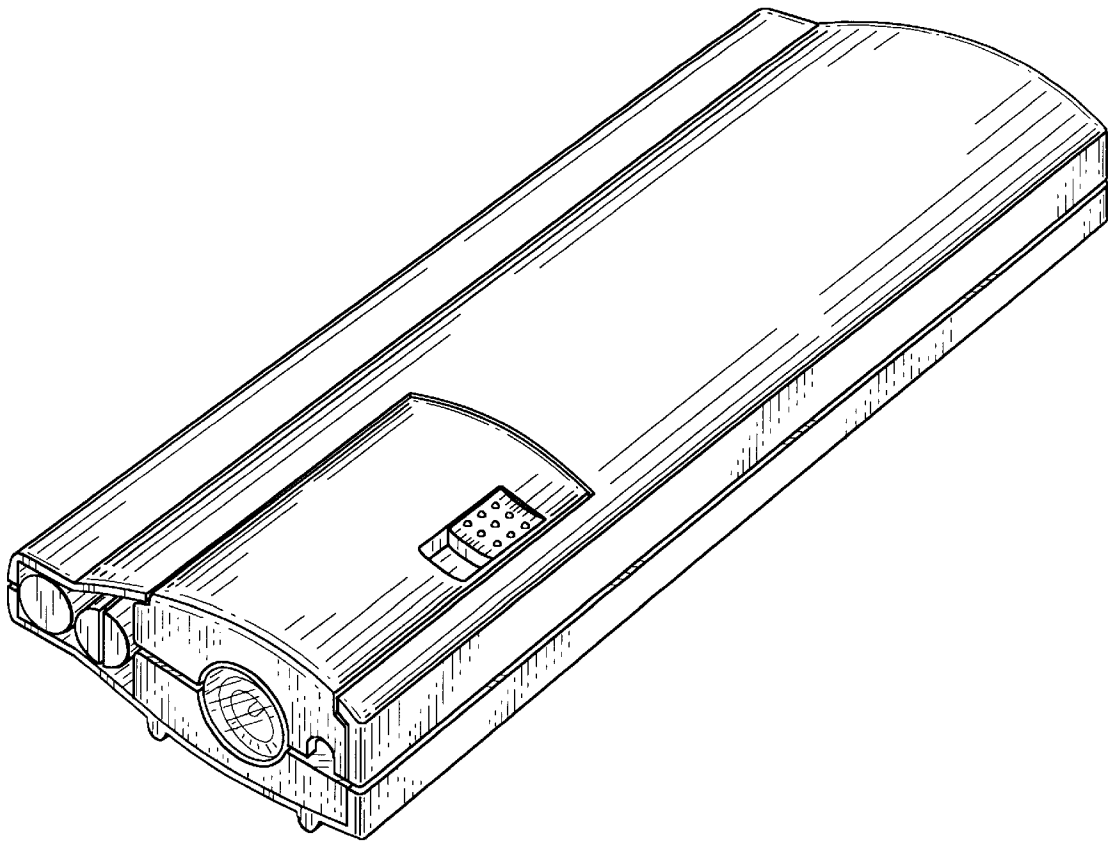


FIG. 1

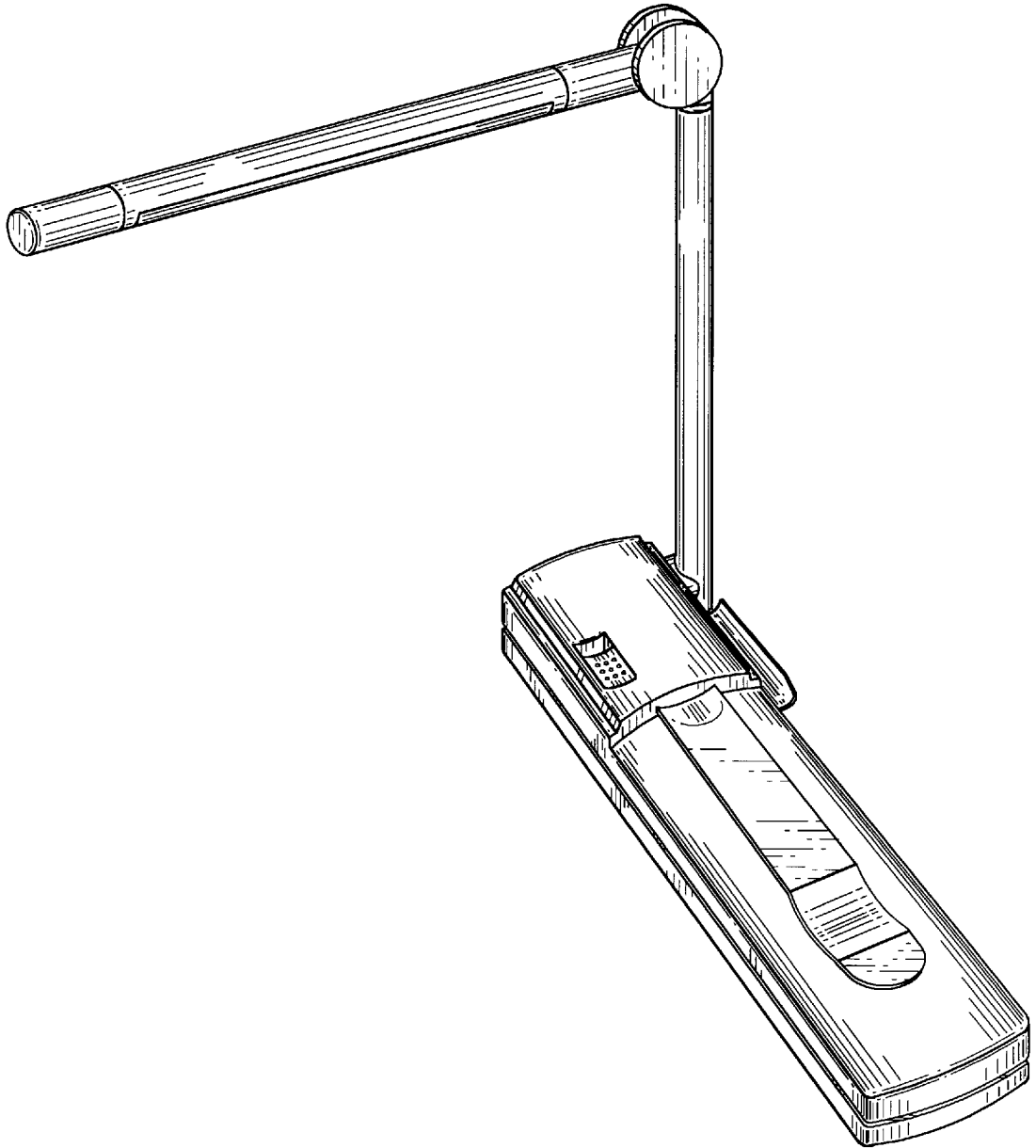


FIG. 2

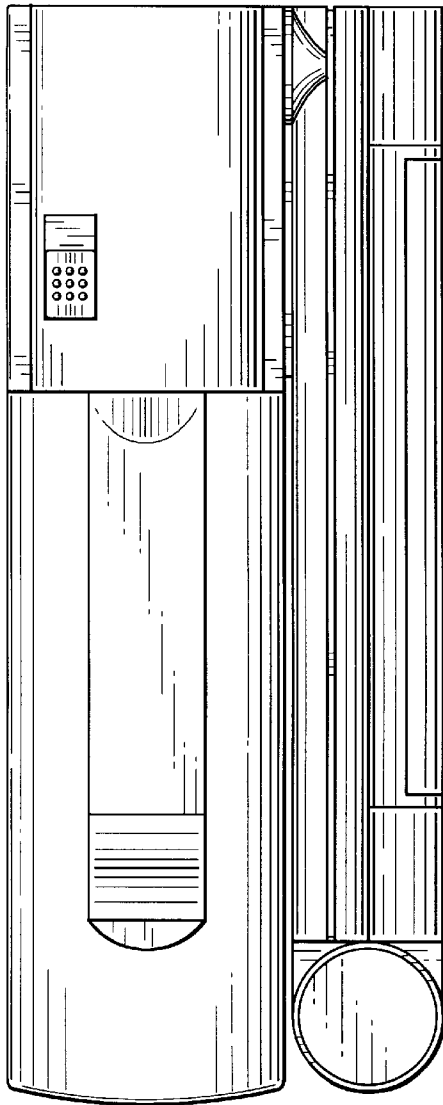


FIG. 3

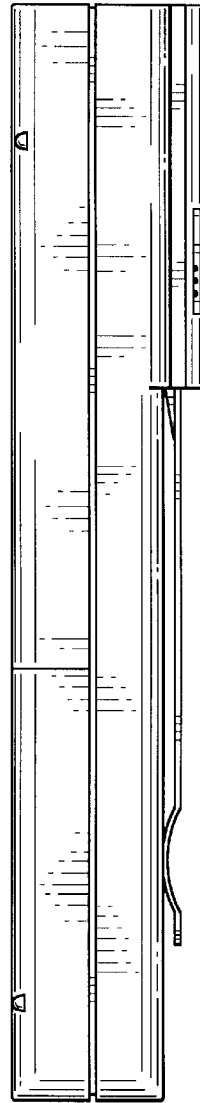


FIG. 4

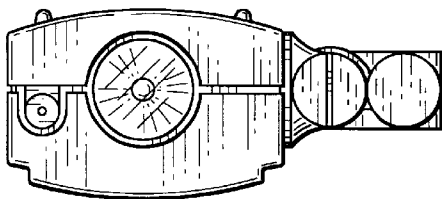


FIG. 5

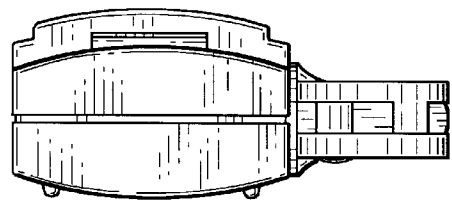


FIG. 6

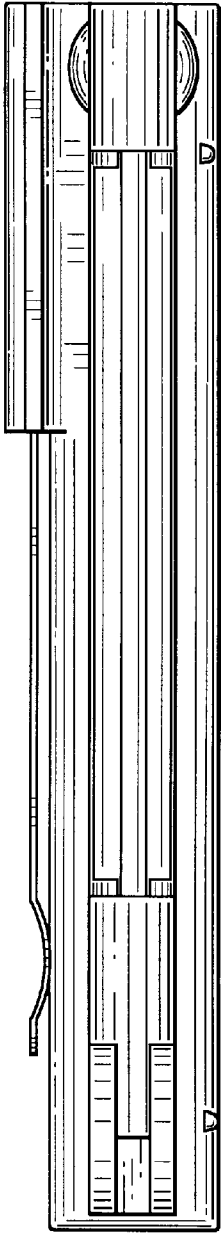


FIG. 7

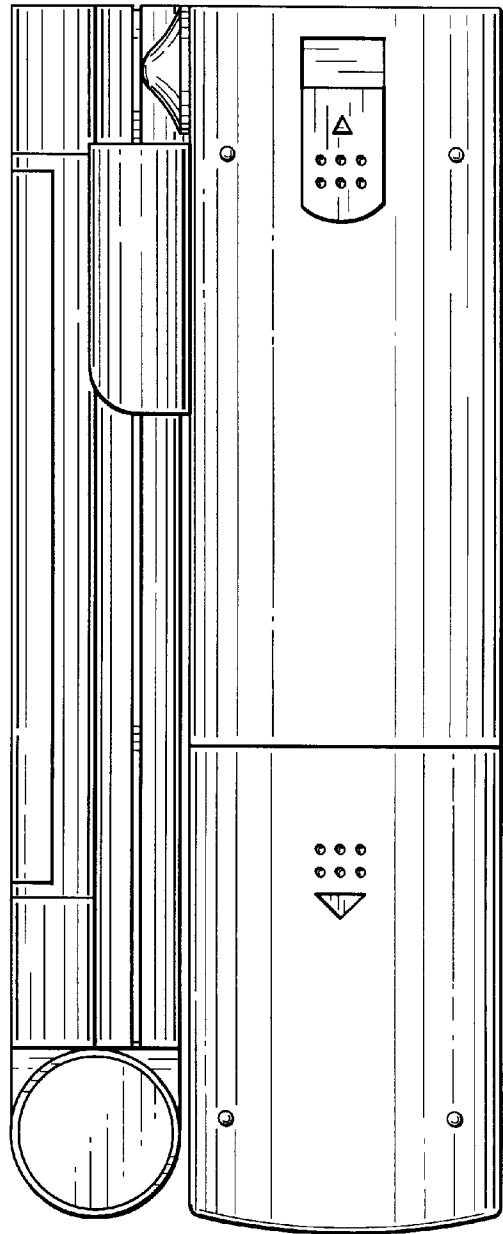


FIG. 8