



US00D782883S

(12) **United States Design Patent**
Delgado Carmona

(10) **Patent No.:** **US D782,883 S**

(45) **Date of Patent:** **** Apr. 4, 2017**

(54) **SNACK CUP**

(71) Applicant: **Dart Industries Inc.**, Orlando, FL (US)

(72) Inventor: **Sara L. Delgado Carmona**, Orlando, FL (US)

(73) Assignee: **Dart Industries Inc.**, Orlando, FL (US)

(**) Term: **15 Years**

(21) Appl. No.: **29/547,233**

(22) Filed: **Dec. 2, 2015**

(51) **LOC (10) Cl.** **07-01**

(52) **U.S. Cl.**
USPC **D7/628**

(58) **Field of Classification Search**

USPC D7/628, 601, 602, 604, 605, 606, 608, D7/612, 613, 614, 615, 705, 706, 707, D7/708, 619.1, 619.2, 622, 623, D7/624.1-624.3, 625, 709, 630, 640, 639, D7/500, 505, 506, 507, 509, 510, 511, D7/514, 515, 516, 517, 519, 533, 539, D7/540, 542, 543, 544, 545; D9/600, D9/651, 601, 605, 607, 500, 516, 521; D3/270, 271; 206/457
CPC .. F25D 3/08; B65D 25/30; B65D 7/24; B65D 81/3876; B65D 81/3879; B65D 23/104; B65D 81/38; B65D 81/3886; B65D 81/3883; B65D 81/3881; A45C 11/20; A47G 19/2288; A47G 23/0216; A45F 2200/0583; A61F 7/10; B31D 5/0086

See application file for complete search history.

(56) **References Cited**

U.S. PATENT DOCUMENTS

D86,650 S * 3/1932 Webster D9/607
D111,793 S * 10/1938 Myers D9/607

D111,989 S * 11/1938 Neumann D9/607
D115,652 S * 7/1939 Hendrickson D9/607
D126,737 S * 4/1941 Vivaudou et al. D9/607
D126,807 S * 4/1941 Vivaudou D9/607
D139,094 S * 10/1944 Ganz D7/613
D139,098 S * 10/1944 Ganz D7/613
D178,333 S * 7/1956 Barradas D7/511
D237,839 S * 11/1975 Apilado D21/654
D249,929 S * 10/1978 Russert D9/607
D277,067 S * 1/1985 Ostergard D7/302
D306,692 S * 3/1990 Ferrero D21/600

(Continued)

OTHER PUBLICATIONS

U.S. Appl. No. 29/525,364, filed Apr. 29, 2015, Sara L. Delgado Carmona.

Primary Examiner — Ian Simmons

Assistant Examiner — Shannon Morgan

(74) *Attorney, Agent, or Firm* — Taylor J. Ross

(57) **CLAIM**

The ornamental design for a snack cup, as shown and described.

DESCRIPTION

FIG. 1 is a top, front and left side perspective view of a snack cup showing my new design;

FIG. 2 is a bottom, front and left side perspective view thereof;

FIG. 3 is a top plan view thereof;

FIG. 4 is a bottom plan view thereof;

FIG. 5 is a front elevation view thereof;

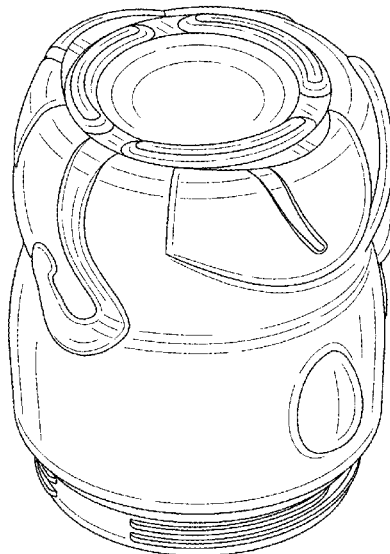
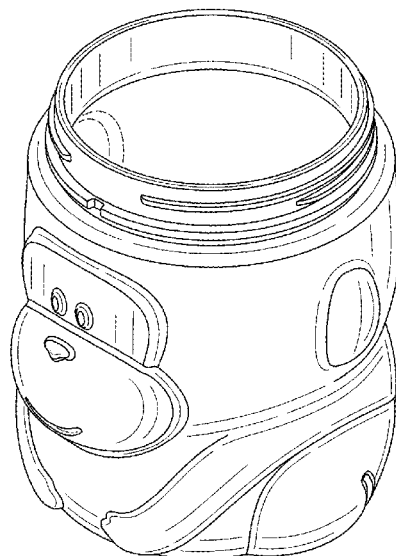
FIG. 6 is a rear elevation view thereof;

FIG. 7 is a left side elevation view thereof; and,

FIG. 8 is a right side elevation view thereof.

The broken lines shown in FIGS. 1 and 3 represent portions of the snack cup that form no part of the claimed design.

1 Claim, 4 Drawing Sheets



(56)

References Cited

U.S. PATENT DOCUMENTS

D306,823 S *	3/1990	Ferrero	D21/596	6,073,798 A *	6/2000	Rosenhain	A47G 19/2227
D312,557 S *	12/1990	Maddocks	D19/113				206/457
D321,825 S *	11/1991	Schlesselman	D9/605	D436,525 S *	1/2001	Lin	D9/601
D333,976 S *	3/1993	Gozzini	D7/613	D460,914 S *	7/2002	Yourist	D9/607
D342,018 S *	12/1993	Gozzini	D7/613	D477,749 S *	7/2003	Anderson	D7/515
D342,020 S *	12/1993	Orosz	D9/607	D503,246 S *	3/2005	Shih	D21/600
D351,530 S *	10/1994	Petrasek	D7/515	D504,052 S *	4/2005	Wang	D7/628
5,379,911 A *	1/1995	Goto	A45C 3/00	D528,430 S *	9/2006	Considine	D7/628
			206/457	D620,764 S *	8/2010	Lessells	D7/605
D358,298 S *	5/1995	Brown	D7/510	D671,419 S *	11/2012	Bourguignon	D9/607
D358,299 S *	5/1995	Brown	D7/510	D690,995 S *	10/2013	Franco	D7/515
D358,300 S *	5/1995	Brown	D7/510	D697,421 S *	1/2014	Glaister	D9/601
D358,301 S *	5/1995	Brown	D7/510	D708,958 S *	7/2014	Serras	D9/601
D361,787 S *	8/1995	Melzian	D19/82	D712,272 S *	9/2014	Veletakos	D9/601
5,614,275 A *	3/1997	Chan	A47G 19/2227	D713,260 S *	9/2014	Delgado Carmona	D9/601
			220/574	D716,104 S *	10/2014	Lessells	D7/606
5,632,377 A *	5/1997	Ferrero	A23G 3/50	D722,805 S *	2/2015	Banos	D24/198
			206/457	D739,254 S *	9/2015	Delgado Carmona	D9/605
D379,739 S *	6/1997	Song	D7/533	D766,094 S *	9/2016	Delgado Carmona	D9/607
D416,792 S *	11/1999	Indelicato	D9/607	D770,860 S *	11/2016	Wampold	D7/608
				2003/0201201 A1 *	10/2003	Cheng	B65D 81/365
							206/457

* cited by examiner

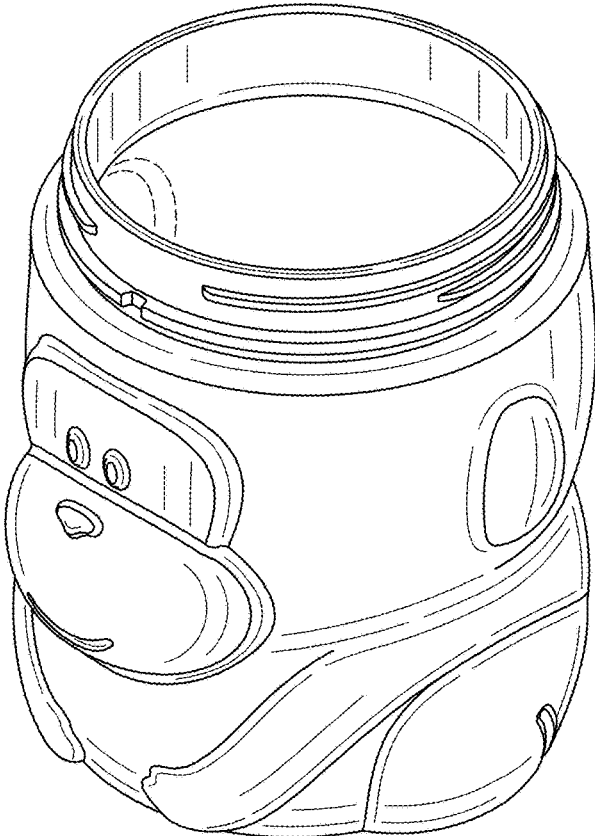


FIG. 1

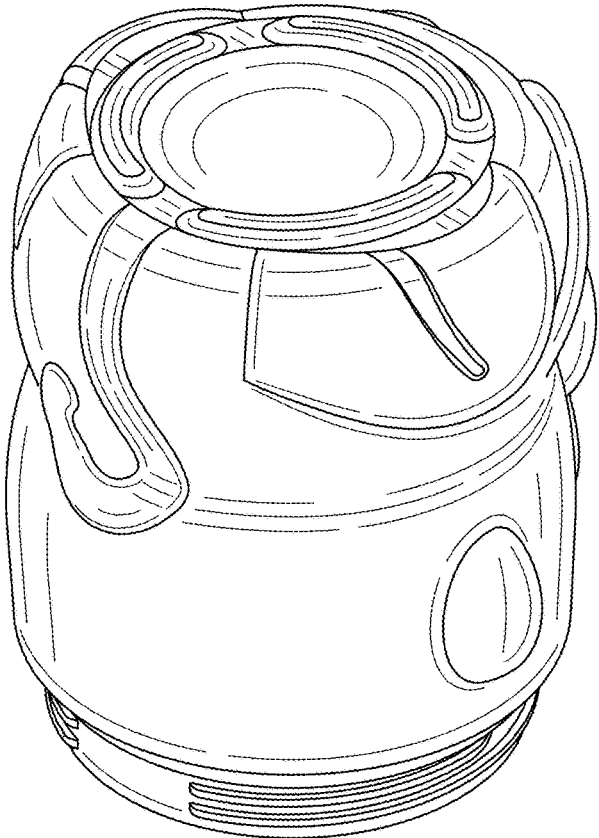


FIG. 2

FIG. 3

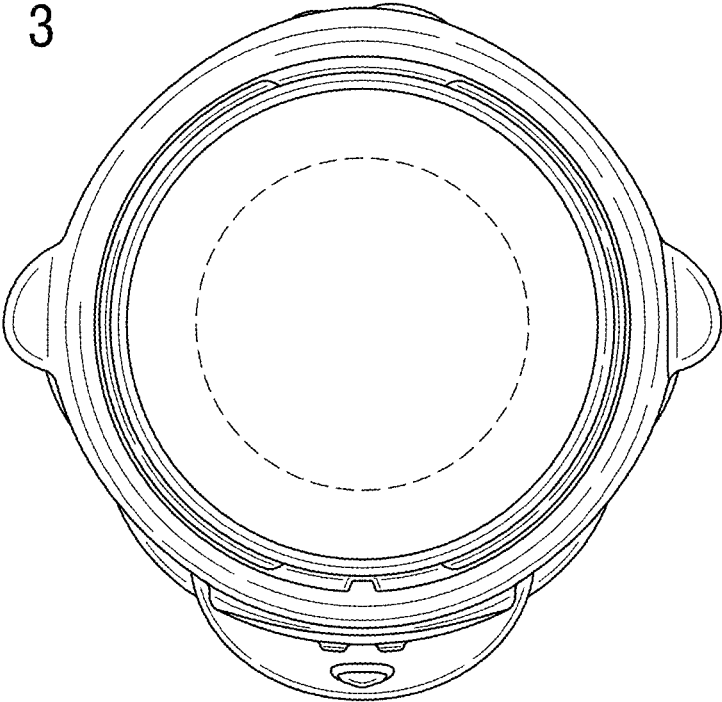


FIG. 4

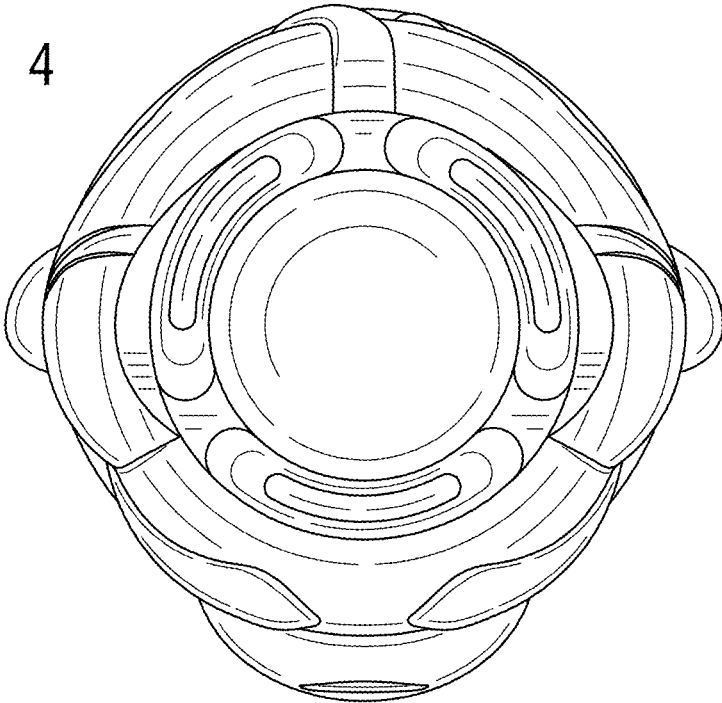


FIG. 5

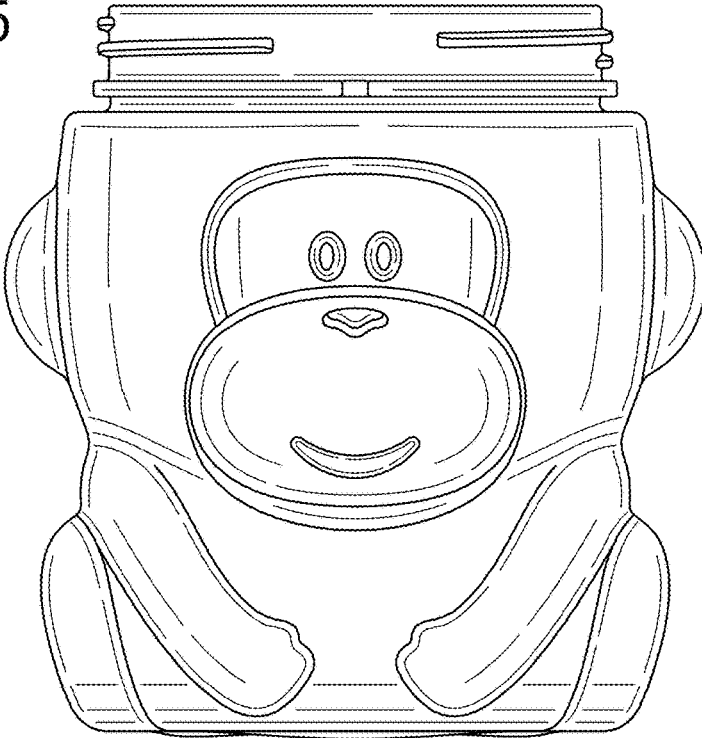


FIG. 6

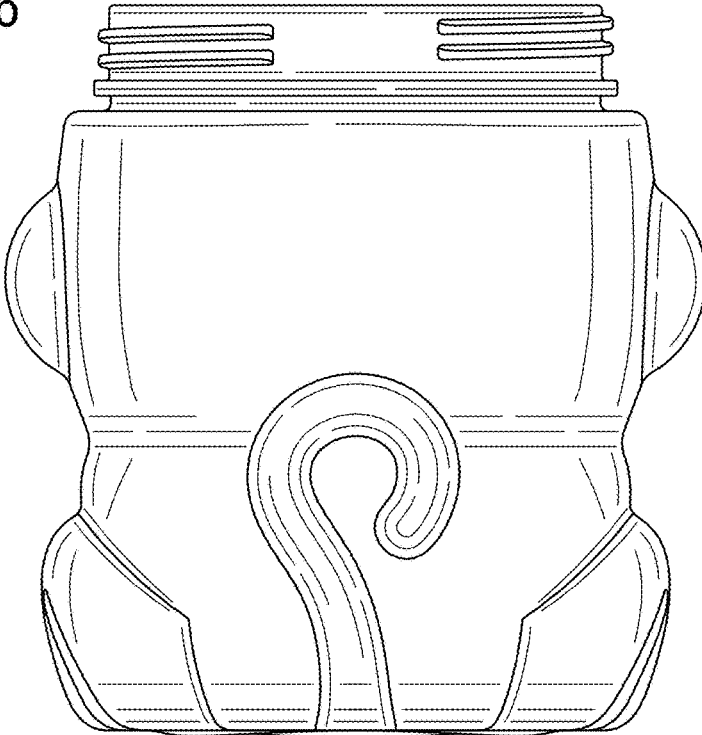


FIG. 7

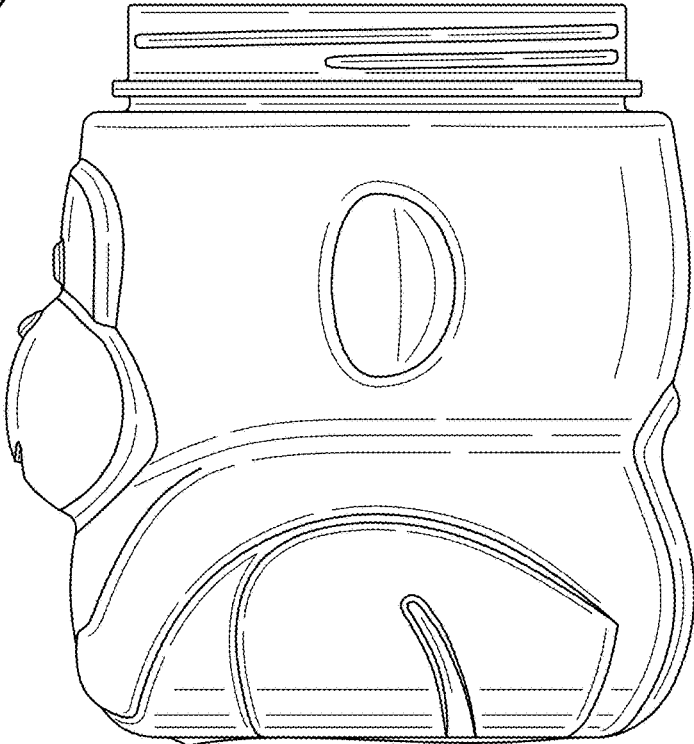


FIG. 8

