



US00D890541S

(12) **United States Design Patent**
Bray

(10) **Patent No.:** **US D890,541 S**

(45) **Date of Patent:** **** Jul. 21, 2020**

(54) **CHAIR**

D660,054 S * 5/2012 Kane D6/716
D660,055 S * 5/2012 Kane D6/716
D684,788 S * 6/2013 Diez D6/375

(Continued)

(71) Applicant: **Blu Dot Design & Manufacturing, Inc.**, Minneapolis, MN (US)

FOREIGN PATENT DOCUMENTS

(72) Inventor: **B. Bradshaw Bray**, Minneapolis, MN (US)

CN 304983476 * 3/2018
CN 305128000 * 9/2018

(Continued)

(73) Assignee: **Blu Dot Design & Manufacturing, Inc.**, Minneapolis, MN (US)

OTHER PUBLICATIONS

(**) Term: **15 Years**

Blu Dot ,Host Dining Chair [online]retrieved Apr. 30, 2020, available from internet, www.amazon.com (Year: 2020).*

(21) Appl. No.: **29/682,431**

Blu Dot Catalog No. 16, Designed in Minneapolis, Minnesota, published 2015, 44 pgs.

(22) Filed: **Mar. 5, 2019**

Blu Dot Catalog No. 17, Designed in Minneapolis, Minnesota, published 2015, 52 pgs.

(51) **LOC (12) Cl.** **06-01**

Blu Dot Catalog No. 18, Designed in Minneapolis, Minnesota, published 2016, 51 pgs.

(52) **U.S. Cl.**

USPC **D6/375**

(Continued)

(58) **Field of Classification Search**

Primary Examiner — Keli L Hill

Assistant Examiner — Sara S Sahneh

USPC D6/373, 374, 375, 716, 369, 716.4, 360, D6/380, 348, 334, 361, 364, 377, 677, D6/341, 349, 350, 352, 353, 379, 381, D6/370, 717, 358, 708.16, 336, 357, 362, D6/363, 365, 366, 371; 297/217.1, 440.1, 297/440.21, 452.14

(74) *Attorney, Agent, or Firm* — Fredrikson & Byron, P.A.

CPC .. A47C 11/00; A47C 4/02; A47C 4/03; A47C 4/08; A47C 4/024; A47C 4/025; A47C 4/028; A47C 5/04; A47C 7/16; A47C 5/12; A47C 7/36; A47C 7/40; A47C 9/007; A47C 13/023; A47C 5/08; A47C 17/175; A47C 13/005; A47C 11/005

(57)

CLAIM

Applicant claims the ornamental design for a chair, as shown and described.

See application file for complete search history.

DESCRIPTION

(56) **References Cited**

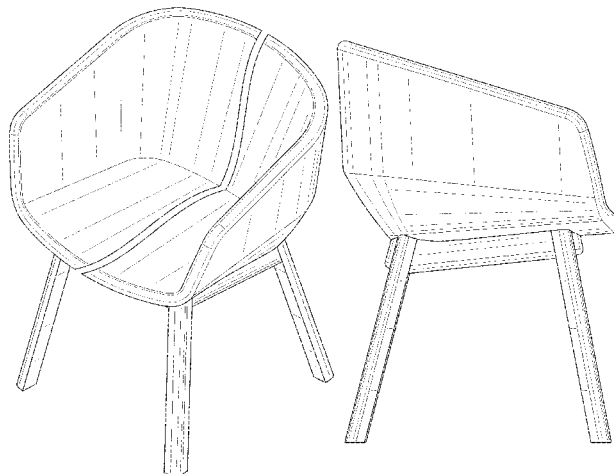
U.S. PATENT DOCUMENTS

2,989,112 A * 6/1961 Hans Sonnleitner B68G 7/05 156/213
3,490,810 A * 1/1970 Putnam A47C 7/18 297/452.16
D279,943 S * 8/1985 Ogg D6/334

FIG. 1 is a front upper perspective view of a chair of Applicant's design;
FIG. 2 is a front elevational view thereof;
FIG. 3 is a rear elevational view thereof;
FIG. 4 is a first side elevational view thereof;
FIG. 5 is a second side elevational view thereof, the second side elevational view being opposite the first side elevational view;
FIG. 6 is a top plan view thereof; and,
FIG. 7 is a bottom plan view thereof.

Where included, broken lines showing environment or structure are for illustrative purposes only and form no part of the claimed design.

(Continued)



The appearance of any portion of the chair between the break lines forms no part of the claimed design.

1 Claim, 7 Drawing Sheets

(56)

References Cited

U.S. PATENT DOCUMENTS

D746,609	S	*	1/2016	Lievore	D6/375
D794,349	S	*	8/2017	Levy	D6/374
D799,874	S	*	10/2017	Swy	D6/716
D811,757	S	*	3/2018	Moscheri	D6/334
D821,773	S	*	7/2018	Hale	D6/375
D828,063	S	*	9/2018	Yuglich	D6/716
D867,780	S	*	11/2019	Krusin	D6/374

FOREIGN PATENT DOCUMENTS

CN	305378681	*	4/2019
GB	4041084	*	5/2015
WO	D202627-007	*	4/2019
WO	D204311-001	*	7/2019

OTHER PUBLICATIONS

Blu Dot Catalog No. 19, Designed in Minneapolis, Minnesota, published 2016, 54 pgs.

Blu Dot Catalog No. 21, Cat 17F-Book A, Designed in Minneapolis, Minnesota, Applicant believes reference was and available more than one year prior to the filing date of the instant application, 51 pgs.

Blu Dot Catalog No. 21, Cat 17F-Book B, Designed in Minneapolis, Minnesota, Applicant believes reference was and available more than one year prior to the filing date of the instant application, 51 pgs.

Blu Dot Catalog No. 22, Cat 18S-Book B, Designed in Minneapolis, Minnesota, Applicant believes reference was and available more than one year prior to the filing date of the instant application, 33 pgs.

Blu Dot Catalog No. 22, Cat18Sm_RGB, Designed in Minneapolis, Minnesota, Applicant believes reference was and available more than one year prior to the filing date of the instant application, 33 pgs.

* cited by examiner

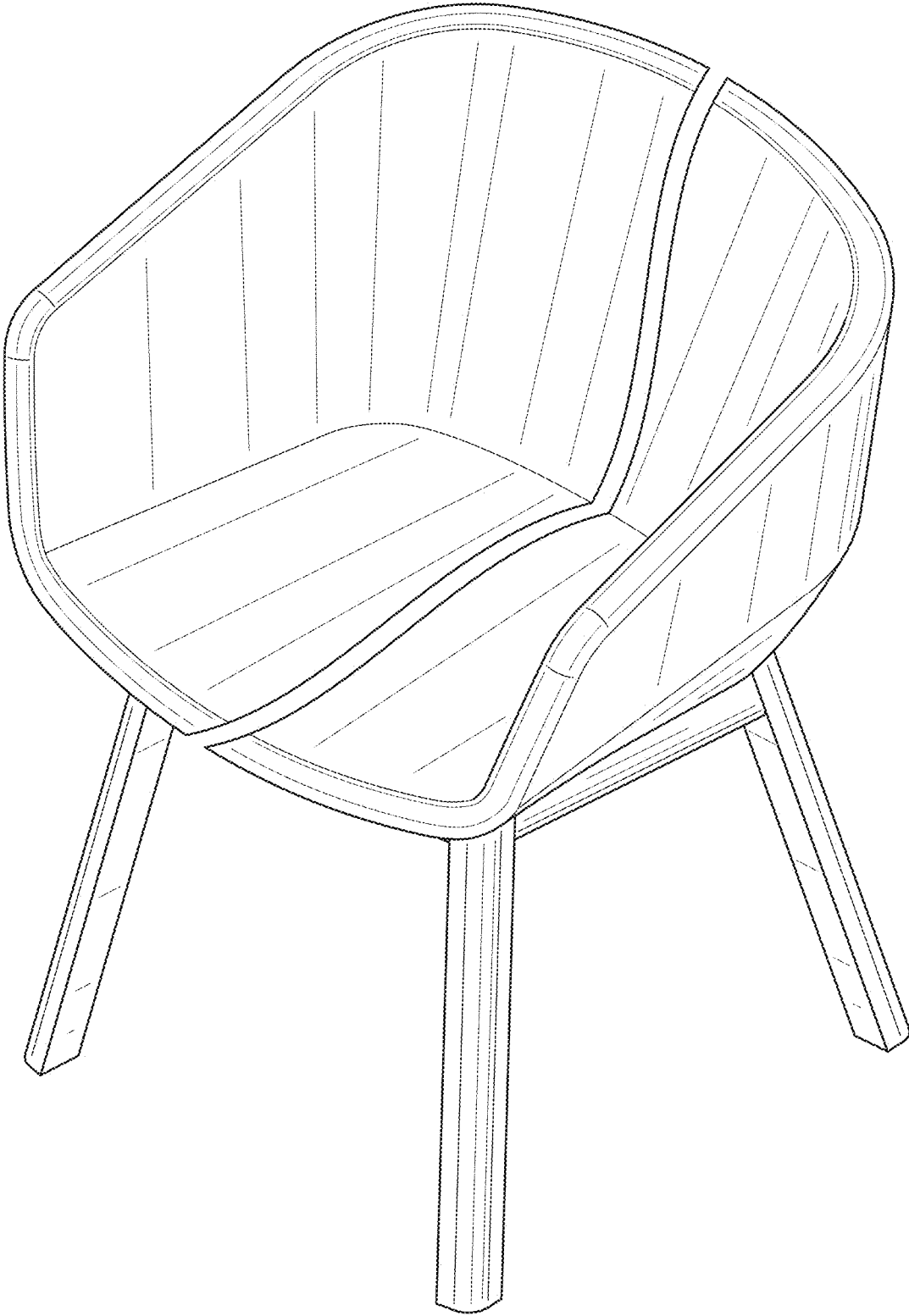


FIG. 1

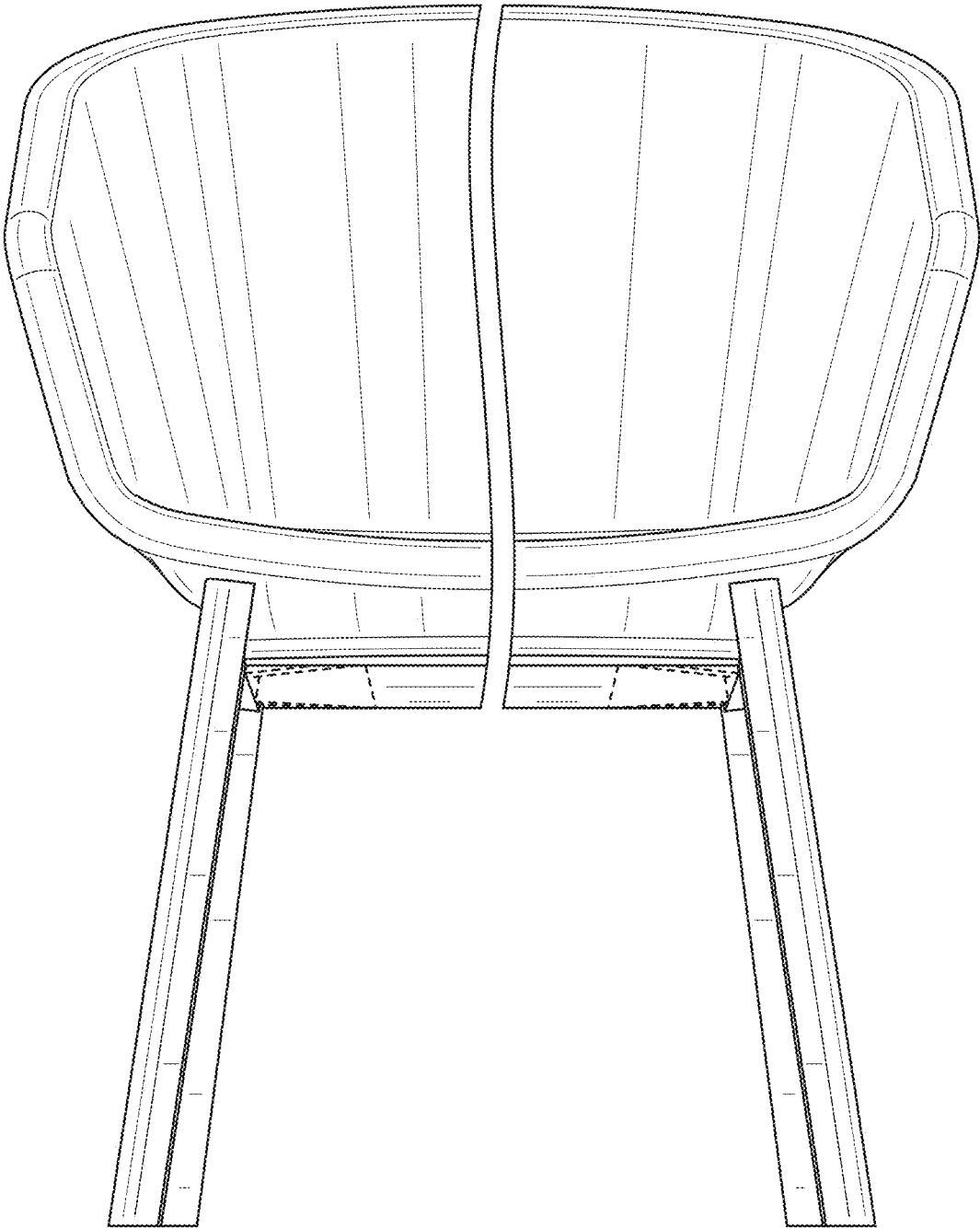


FIG. 2

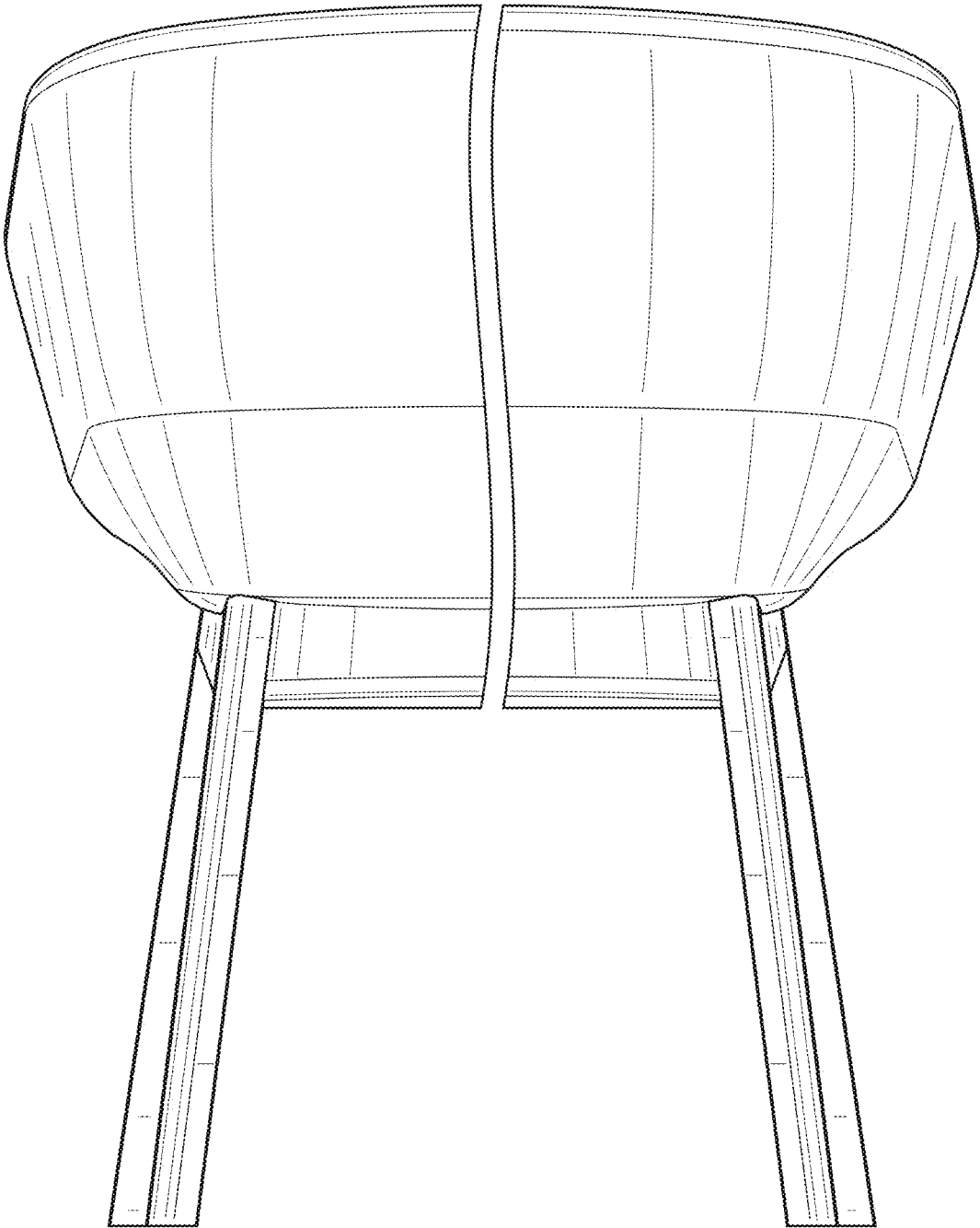


FIG. 3

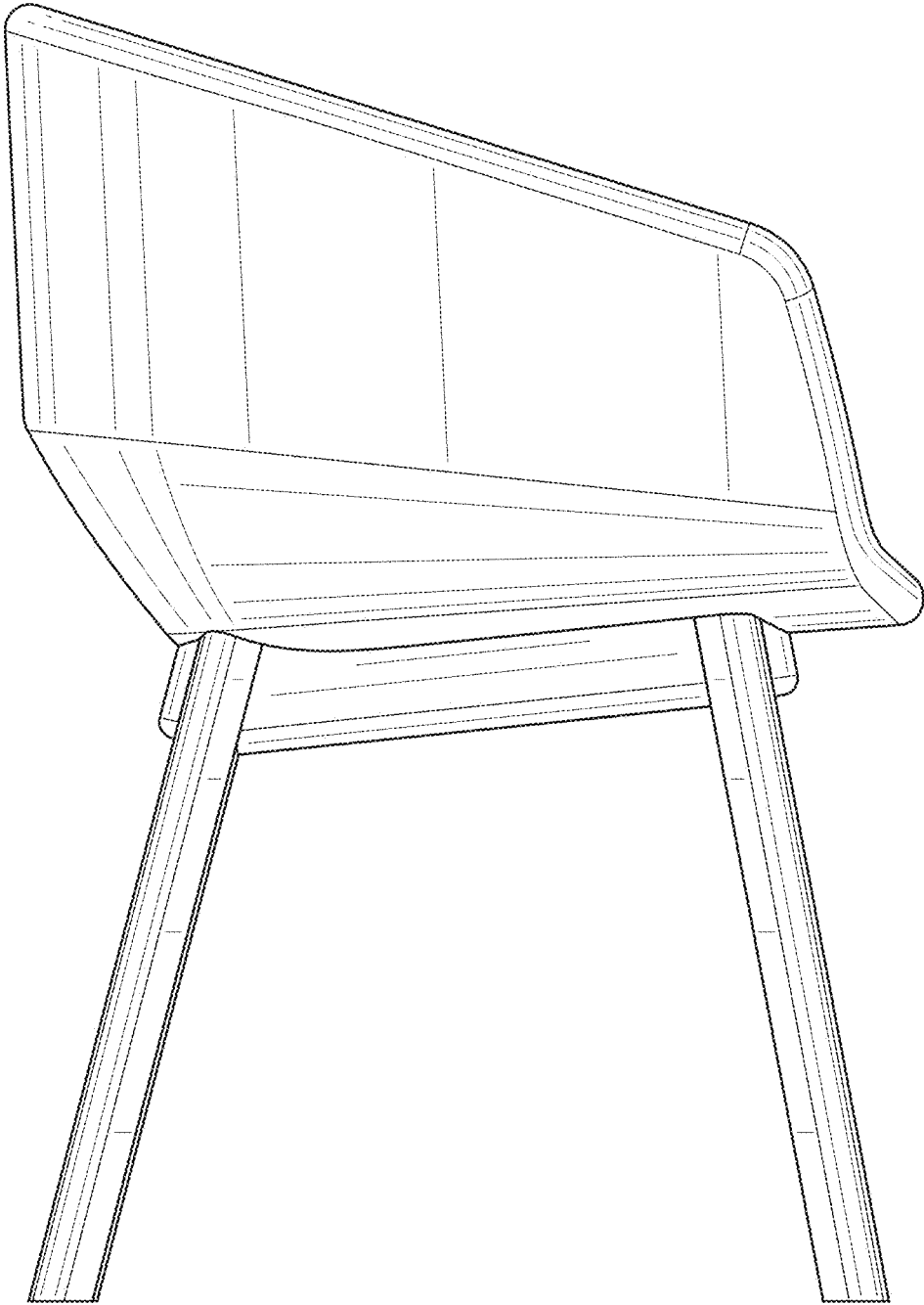


FIG. 4

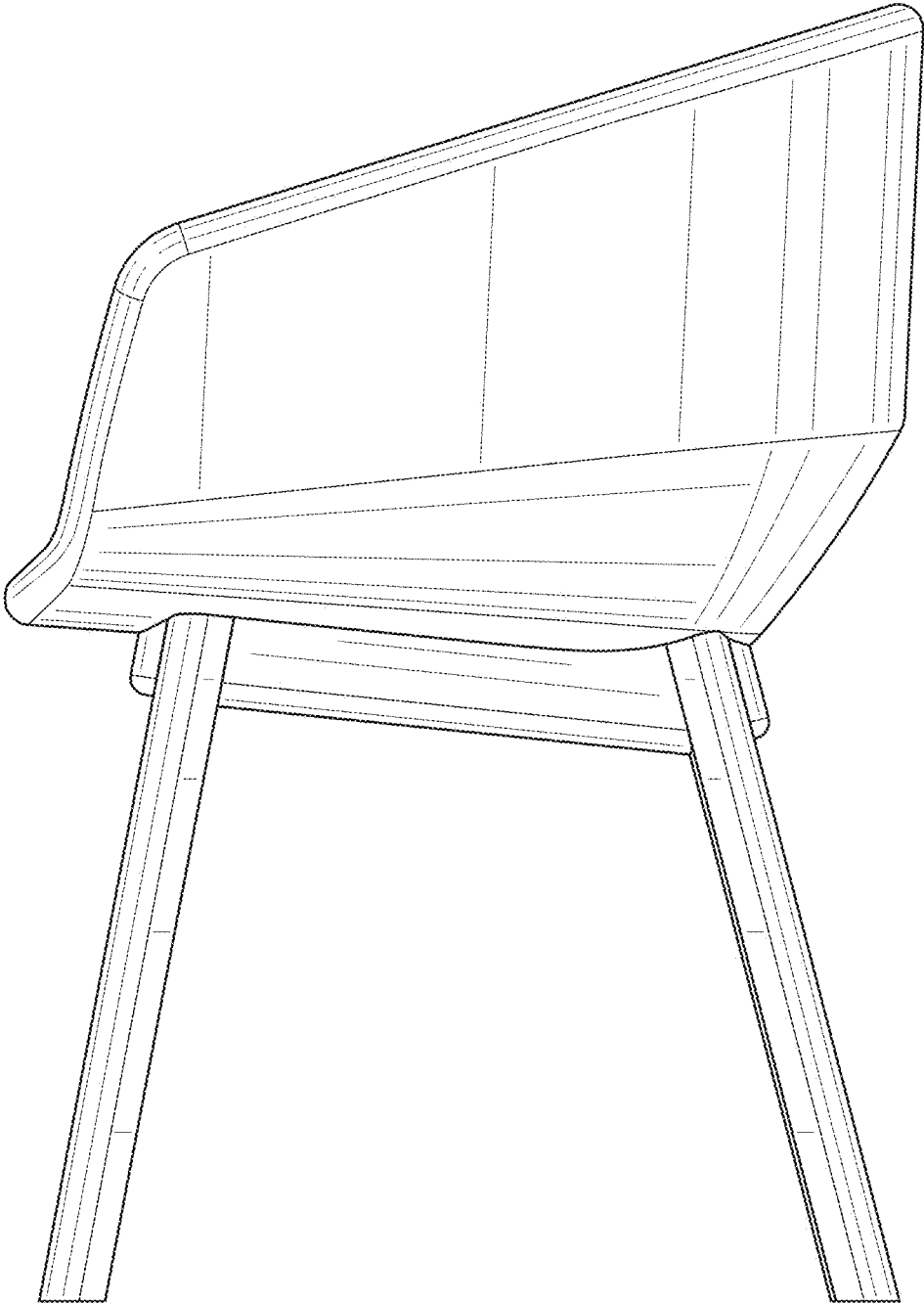


FIG. 5

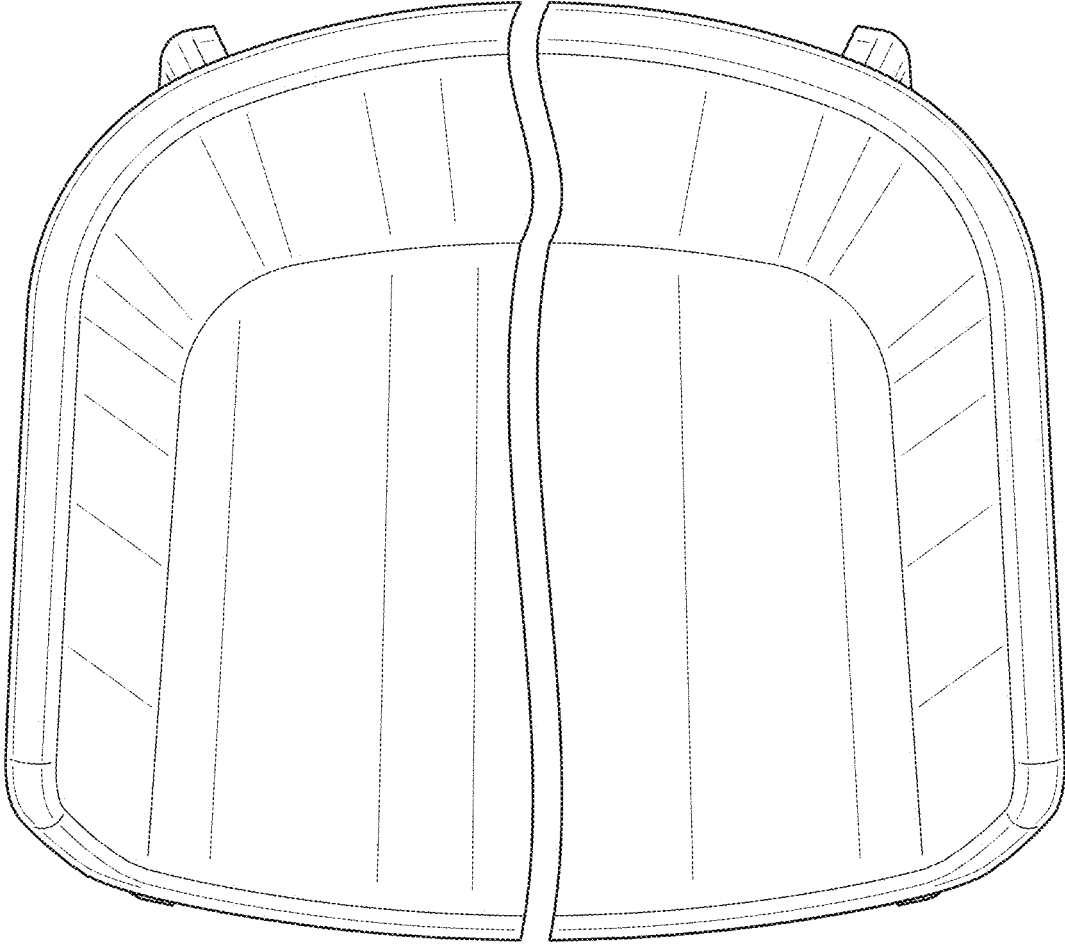


FIG. 6

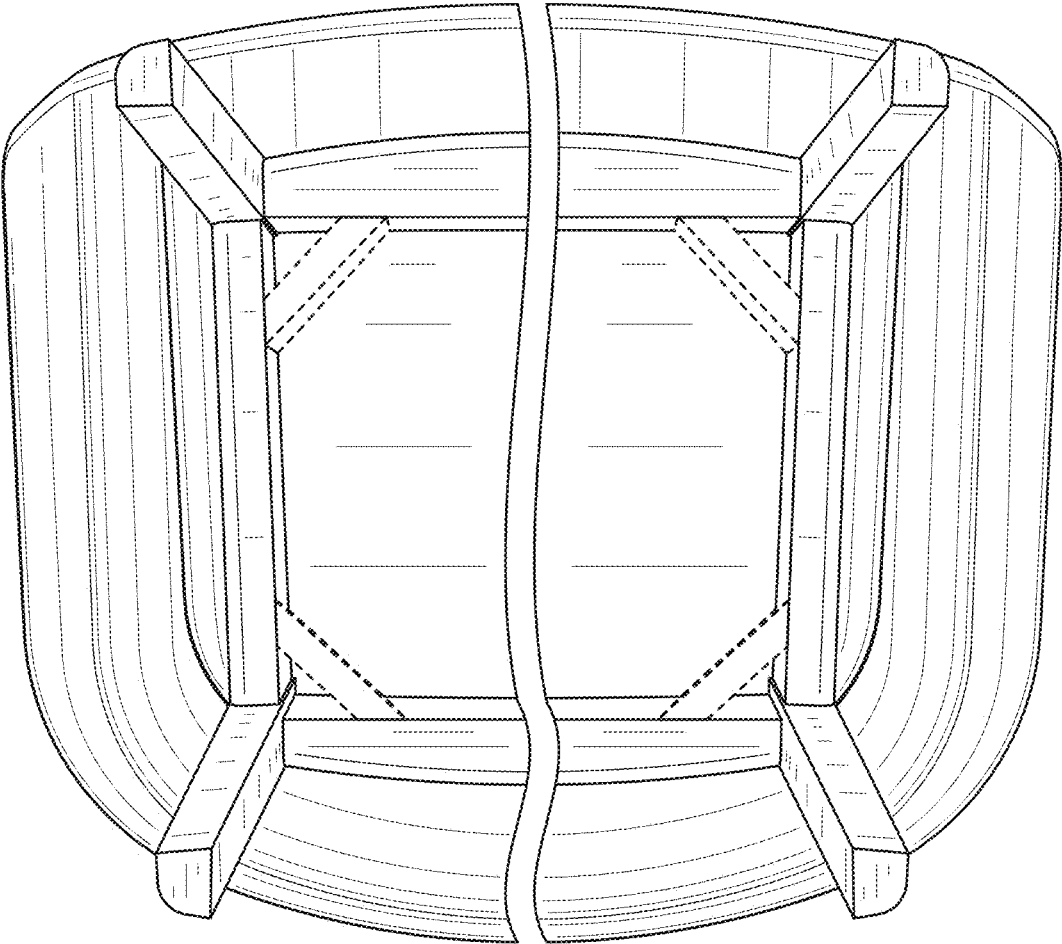


FIG. 7