

(19) World Intellectual Property Organization
International Bureau



(43) International Publication Date
14 June 2007 (14.06.2007)

PCT

(10) International Publication Number
WO 2007/067449 A3

- (51) International Patent Classification:
A61M 5/00 (2006.01)
- (21) International Application Number:
PCT/US2006/046139
- (22) International Filing Date:
4 December 2006 (04.12.2006)
- (25) Filing Language: English
- (26) Publication Language: English
- (30) Priority Data:
11/294,256 5 December 2005 (05.12.2005) US
- (71) Applicant (for all designated States except US): **BECTON, DICKINSON AND COMPANY** [US/US]; 1 Becton Drive, Franklin Lakes, NJ 07417 (US).

AT, AU, AZ, BA, BB, BG, BR, BW, BY, BZ, CA, CH, CN, CO, CR, CU, CZ, DE, DK, DM, DZ, EC, EE, EG, ES, FI, GB, GD, GE, GH, GM, GT, HN, HR, HU, ID, IL, IN, IS, JP, KE, KG, KM, KN, KP, KR, KZ, LA, LC, LK, LR, LS, LT, LU, LV, LY, MA, MD, MG, MK, MN, MW, MX, MY, MZ, NA, NG, NI, NO, NZ, OM, PG, PH, PL, PT, RO, RS, RU, SC, SD, SE, SG, SK, SL, SM, SV, SY, TJ, TM, TN, TR, TT, TZ, UA, UG, US, UZ, VC, VN, ZA, ZM, ZW.

(84) Designated States (unless otherwise indicated, for every kind of regional protection available): ARIPO (BW, GH, GM, KE, LS, MW, MZ, NA, SD, SL, SZ, TZ, UG, ZM, ZW), Eurasian (AM, AZ, BY, KG, KZ, MD, RU, TJ, TM), European (AT, BE, BG, CH, CY, CZ, DE, DK, EE, ES, FI, FR, GB, GR, HU, IE, IS, IT, LT, LU, LV, MC, NL, PL, PT, RO, SE, SI, SK, TR), OAPI (BF, BJ, CF, CG, CI, CM, GA, GN, GQ, GW, ML, MR, NE, SN, TD, TG).

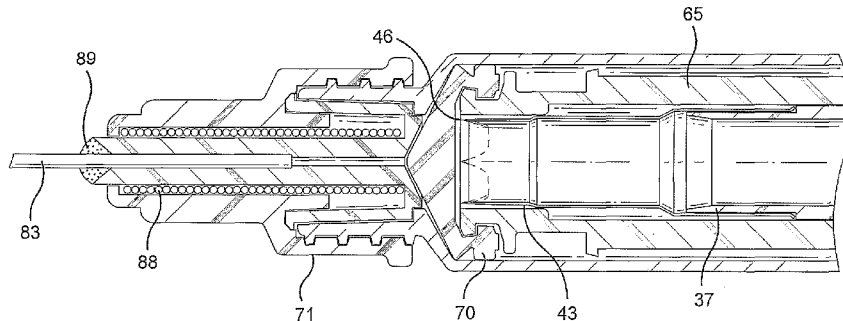
- (72) Inventors; and
- (75) Inventors/Applicants (for US only): **SUMMERVILLE, Andrew** [US/US]; 120 Pie Hill Road, Goshen, CT 06756 (US). **SWENSON, Jon** [US/US]; 21 Rockledge Terrace, Wayne, NJ 07470 (US). **D'ARRIGO, Christina** [US/US]; 130 Willow Avennew, Apt. 2C, Hoboken, NJ 07030 (US).
- (74) Agents: **HIGHET, DAVID** et al.; Becton, Dickinson And Company, 1 Becton Drive, Franklin Lakes, NJ 07417 (US).
- (81) Designated States (unless otherwise indicated, for every kind of national protection available): AE, AG, AL, AM,

Published:
— with international search report
— before the expiration of the time limit for amending the claims and to be republished in the event of receipt of amendments

(88) Date of publication of the international search report:
15 November 2007

For two-letter codes and other abbreviations, refer to the "Guidance Notes on Codes and Abbreviations" appearing at the beginning of each regular issue of the PCT Gazette.

(54) Title: CUTTING ELEMENT FOR A RETRACTING NEEDLE SYRINGE


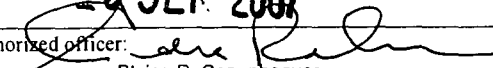


(57) Abstract: A cutting element for a retracting needle syringe (20) having a plunger (23) with a cuttable distal end and a spring biased needle (83) held by a cuttable support. A cutting element (43) capable of cutting the cuttable distal end and the cuttable support includes a body portion (44) having a proximal end (45), a distal end (46), a side wall (47) therebetween and a passageway (50) therethrough. The distal end (46) of the body portion (44) includes a cutting edge (48) and a raised distally projecting tapered cutting tooth (51) having distally converging edges (52). At least one tooth edge includes a sharp side wall (55) for cutting the distal end of the plunger and the needle support.

WO 2007/067449 A3

INTERNATIONAL SEARCH REPORT

International application No.
PCT/US06/46139

A. CLASSIFICATION OF SUBJECT MATTER IPC(8) - A61M 5/00 (2007.01) USPC - 604/181 According to International Patent Classification (IPC) or to both national classification and IPC		
B. FIELDS SEARCHED Minimum documentation searched (classification system followed by classification symbols) IPC(8) - A61M 5/00 (2007.01) USPC - 604/181 Documentation searched other than minimum documentation to the extent that such documents are included in the fields searched Electronic data base consulted during the international search (name of data base and, where practicable, search terms used) MicroPatent, DialogPro, Google Scholar, Google Patents		
C. DOCUMENTS CONSIDERED TO BE RELEVANT		
Category*	Citation of document, with indication, where appropriate, of the relevant passages	Relevant to claim No.
X	US 6,689,106 B2 (BUSH JR et al) 10 February 2004 (10.02.2004) entire document	1-2, 9, 15, 18
-		
Y		3-8, 10-14, 16-17, 19-22
Y	US 6,712,787 B1 (DYSARZ) 30 March 2004 (30.03.2004) entire document	3-8, 10-14, 16-17, 20, 22
Y	US 5,935,104 A (JANEK et al) 10 August 1999 (10.08.1999) entire document	5, 7-8, 11-12, 14, 16-17, 19-22
<input type="checkbox"/> Further documents are listed in the continuation of Box C. <input type="checkbox"/>		
* Special categories of cited documents: "A" document defining the general state of the art which is not considered to be of particular relevance "E" earlier application or patent but published on or after the international filing date "L" document which may throw doubts on priority claim(s) or which is cited to establish the publication date of another citation or other special reason (as specified) "O" document referring to an oral disclosure, use, exhibition or other means "P" document published prior to the international filing date but later than the priority date claimed "T" later document published after the international filing date or priority date and not in conflict with the application but cited to understand the principle or theory underlying the invention "X" document of particular relevance; the claimed invention cannot be considered novel or cannot be considered to involve an inventive step when the document is taken alone "Y" document of particular relevance; the claimed invention cannot be considered to involve an inventive step when the document is combined with one or more other such documents, such combination being obvious to a person skilled in the art "&" document member of the same patent family		
Date of the actual completion of the international search 10 June 2007		Date of mailing of the international search report <div style="text-align:center;">  Authorized officer:  Blaine R. Copenheaver </div>
Name and mailing address of the ISA/US Mail Stop PCT, Attn: ISA/US, Commissioner for Patents P.O. Box 1450, Alexandria, Virginia 22313-1450 Facsimile No. 571-273-3201		PCT Helpdesk: 571-272-4300 PCT OSP: 571-272-7774