



(12) **United States Design Patent**
Zucker

(10) **Patent No.:** **US D816,905 S**
(45) **Date of Patent:** **** May 1, 2018**

- (54) **RAZOR CARTRIDGE**
- (71) Applicant: **Personal Care Marketing and Research, Inc.**, Beverly Hills, CA (US)
- (72) Inventor: **Shlomo Zucker**, Mihmoret (IL)
- (73) Assignee: **Personal Care Marketing and Research International**, Beit She'an (IL)

D563,043 S	2/2008	Ramm	
D563,044 S	2/2008	Ramm	
D575,454 S	8/2008	Keene et al.	
D588,309 S	3/2009	Wonderley et al.	
D588,744 S	3/2009	Fischer et al.	
D588,745 S	3/2009	Fischer et al.	
D601,753 S	10/2009	Cataudella et al.	
D604,904 S *	11/2009	Watson	D28/47
7,681,314 B2 *	3/2010	Follo	B26B 21/222 30/34.2
D617,946 S	6/2010	Lukan et al.	
D617,947 S *	6/2010	Lukan	D28/47

- (**) Term: **15 Years**
- (21) Appl. No.: **29/558,508**

Primary Examiner — Jennifer Rivard
(74) *Attorney, Agent, or Firm* — Edward B. Weller

- (22) Filed: **Mar. 18, 2016**
- (51) **LOC (11) Cl.** **28-03**
- (52) **U.S. Cl.**
USPC **D28/47**
- (58) **Field of Classification Search**
USPC D28/44, 45–48
CPC B26B 21/00–21/06; B26B 21/08–21/4031;
B26B 21/4043; B26B 21/4062; B26B
21/4068–21/4075
See application file for complete search history.

(57) **CLAIM**

I claim the ornamental design for a razor cartridge, as shown and described.

DESCRIPTION

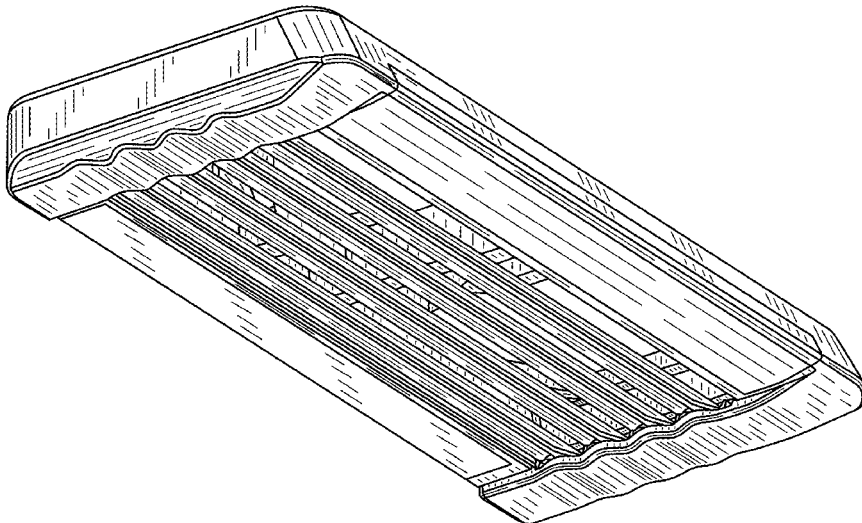
FIG. 1 is a front perspective of a razor cartridge, according to an embodiment of my new design;
 FIG. 2 is a bottom perspective of a razor cartridge, according to an embodiment of my new design;
 FIG. 3 is a front elevational view of a razor cartridge, according to an embodiment of my new design;
 FIG. 4 is a rear elevational view of a razor cartridge, according to an embodiment of my new design;
 FIG. 5 is a left elevational view of a razor cartridge, according to an embodiment of my new design;
 FIG. 6 is a right elevational view of a razor cartridge, according to an embodiment of my new design;
 FIG. 7 is a top plan view of a razor cartridge, according to an embodiment of my new design; and,
 FIG. 8 is a bottom plan view of a razor cartridge, according to an embodiment of my new design.
 The broken lines illustrate portions of the razor cartridge and form no part of the claimed design.

(56) **References Cited**

U.S. PATENT DOCUMENTS

D346,042 S *	4/1994	Chu	D28/46
D415,315 S	10/1999	Swanson et al.	
D422,751 S	4/2000	Gray	
D484,275 S	12/2003	Prochaska	
D499,843 S	12/2004	Nakasuka	
D514,253 S	1/2006	Gray	
D516,243 S	2/2006	Nakasuka	
D524,986 S	7/2006	Prudden, Jr.	
D526,089 S	8/2006	Fischer et al.	
D533,684 S	12/2006	Gray et al.	
D535,784 S	1/2007	Wonderley et al.	
D547,494 S	7/2007	Watson et al.	
D556,378 S	11/2007	Watson et al.	
D560,034 S	1/2008	Fischer et al.	

1 Claim, 8 Drawing Sheets



(56)

References Cited

U.S. PATENT DOCUMENTS

D617,948 S	6/2010	Lukan et al.		D661,425 S *	6/2012	Cataudella	D28/46
D617,949 S	6/2010	Lukan et al.		D661,426 S	6/2012	Wain et al.	
7,765,700 B2 *	8/2010	Aviza	B26B 21/4068	D662,661 S	6/2012	Corbeil et al.	
			30/50	D699,892 S	2/2014	Wonderley	
D625,049 S	10/2010	Bridges et al.		D707,885 S	6/2014	Cataudella et al.	
D625,883 S	10/2010	Wonderley		D730,578 S	5/2015	Long et al.	
D629,564 S	12/2010	Jung		D737,511 S	8/2015	Lettenberger et al.	
D630,378 S	1/2011	Jung		D737,513 S	8/2015	Lettenberger et al.	
D630,797 S	1/2011	Witkus		D741,008 S	10/2015	Bruno et al.	
D631,198 S	1/2011	Adams et al.		D741,009 S	10/2015	Bruno et al.	
D633,253 S	2/2011	Wonderley et al.		D741,546 S	10/2015	Witkus et al.	
D633,254 S	2/2011	Witkus		D748,856 S	2/2016	Mahony et al.	
D634,474 S	3/2011	Wilby		9,248,579 B2 *	2/2016	DePuydt	B26B 21/00
D635,717 S	4/2011	Furtek		D766,505 S *	9/2016	Coviello	D28/46
D636,532 S	4/2011	Jessemey et al.		2007/0227009 A1 *	10/2007	Zhuk	B26B 21/60
D639,507 S	6/2011	Furtek					30/50
D640,415 S	6/2011	Wonderley et al.		2007/0266565 A1 *	11/2007	Aviza	B26B 21/4068
D643,976 S	8/2011	Wonderley et al.					30/50
D643,977 S	8/2011	Wonderley et al.		2009/0113716 A1 *	5/2009	Wain	B26B 21/4068
D648,075 S	11/2011	Wonderley et al.					30/50
D648,076 S	11/2011	Jessemey et al.		2014/0283387 A1 *	9/2014	Bozikis	B26B 21/4031
D653,395 S *	1/2012	Adams	D28/47				30/51
				2017/0028577 A1 *	2/2017	Ntavos	B26B 21/4012
				2017/0151684 A1 *	6/2017	Bozikis	B26B 21/227

* cited by examiner

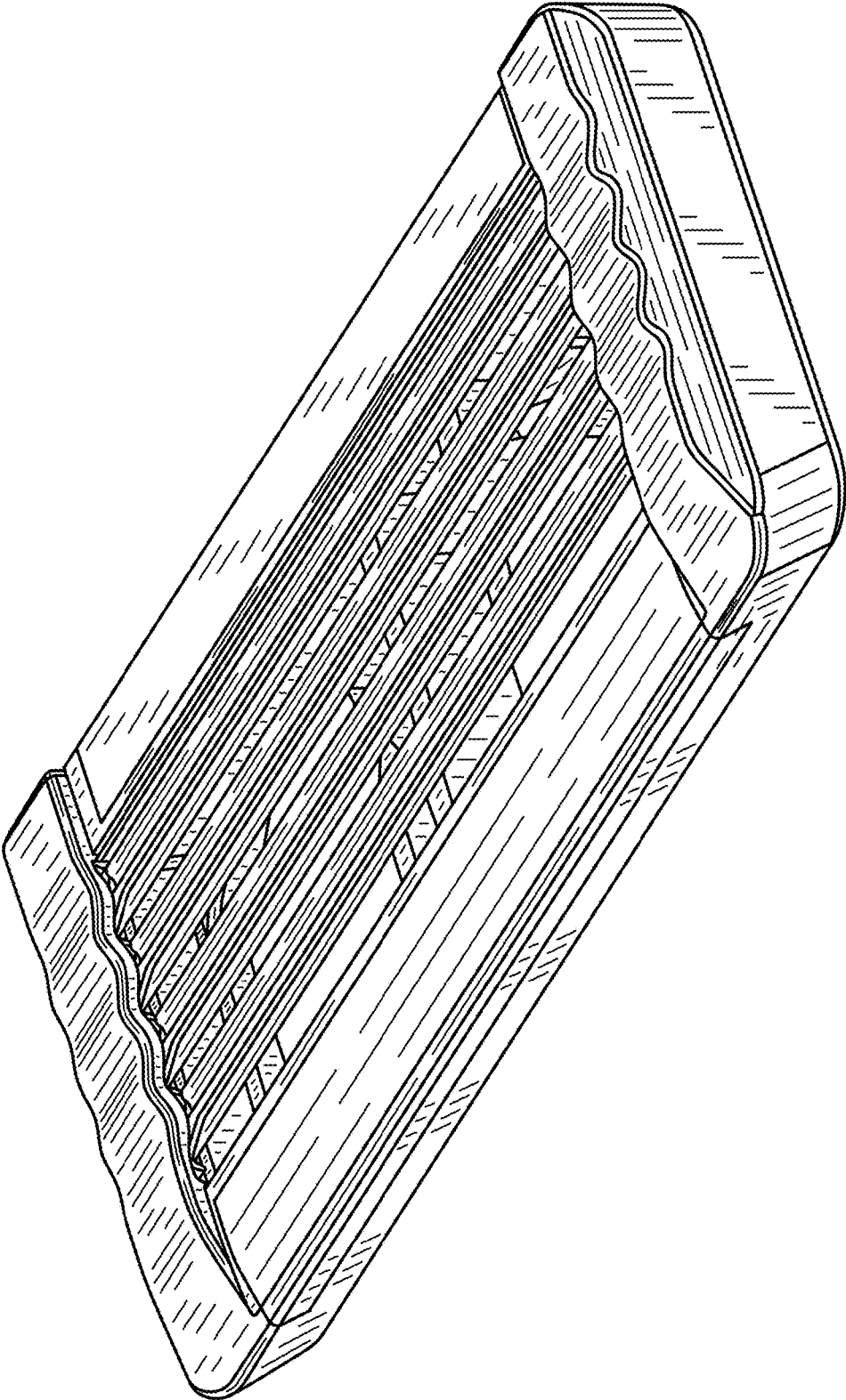


FIG. 1

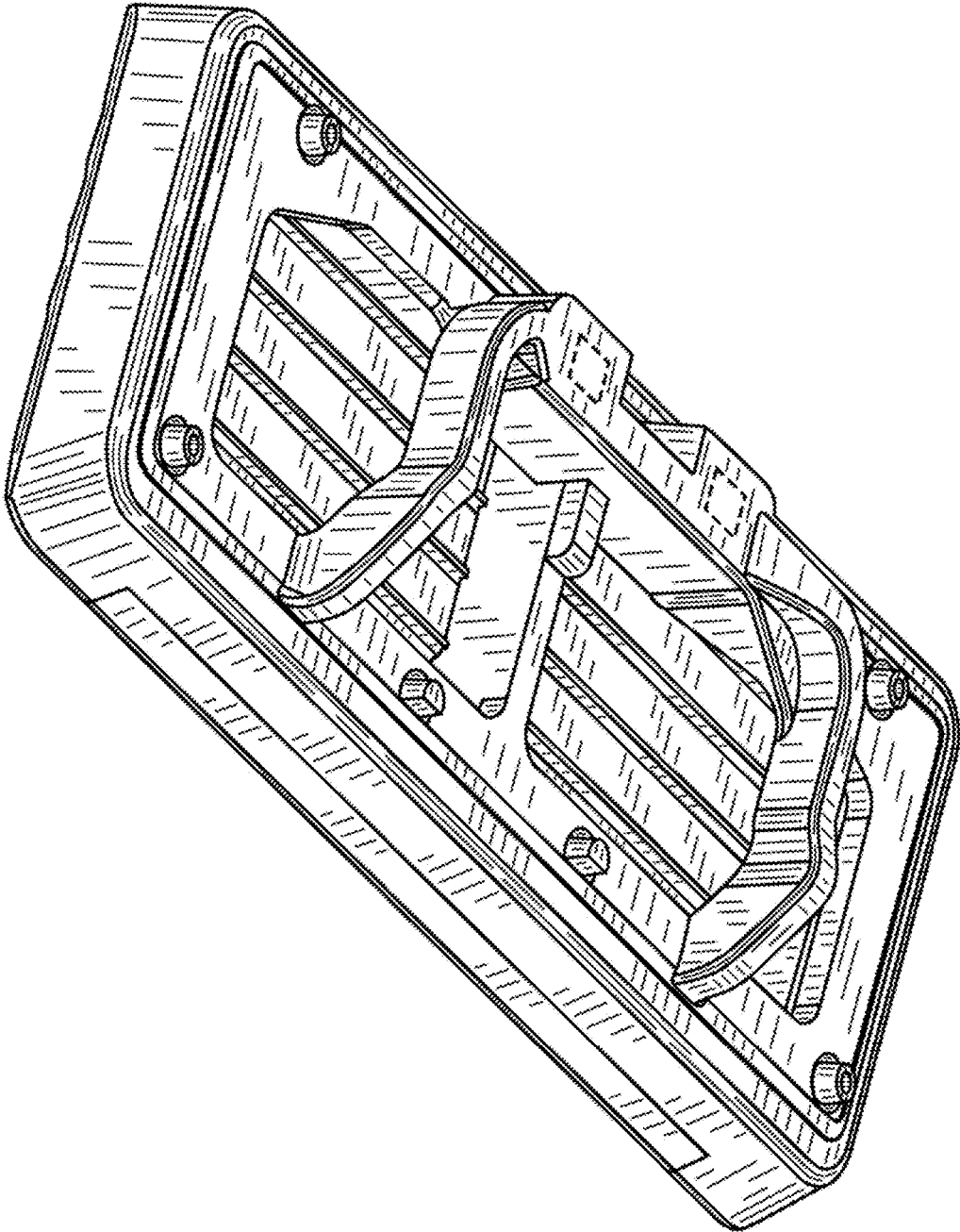


FIG. 2

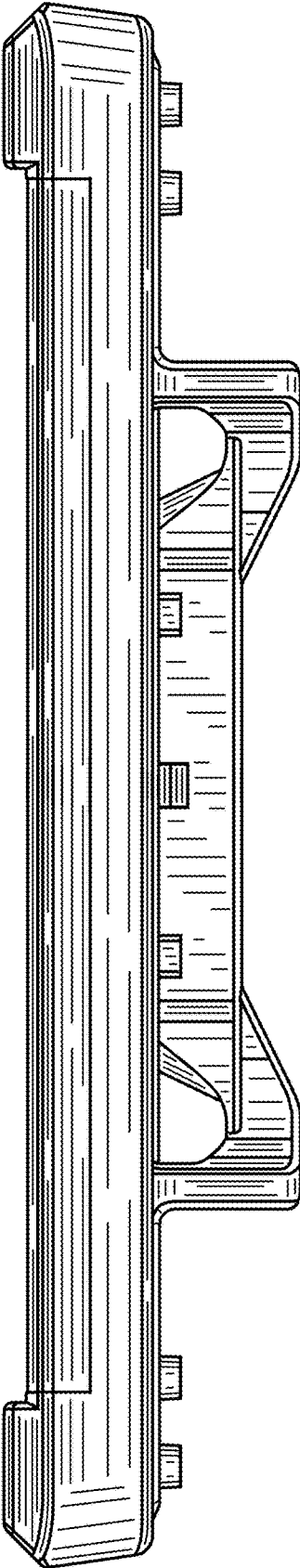


FIG. 3

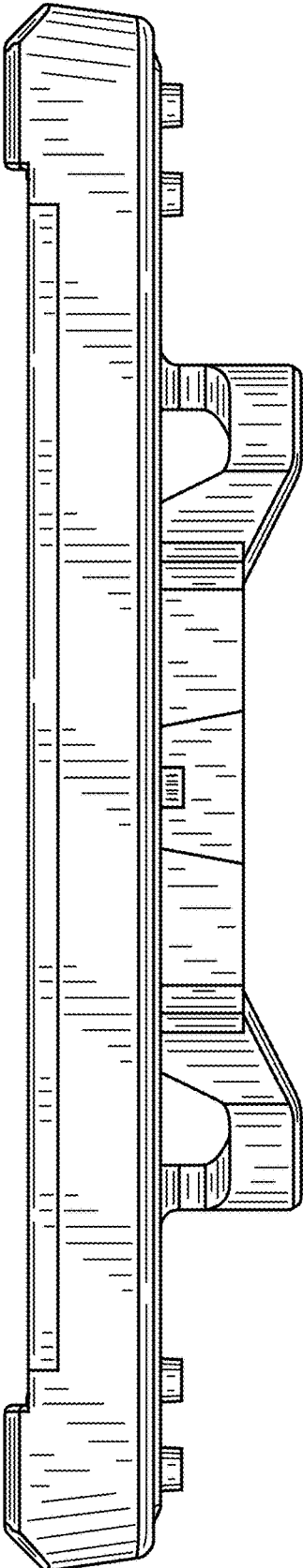


FIG. 4

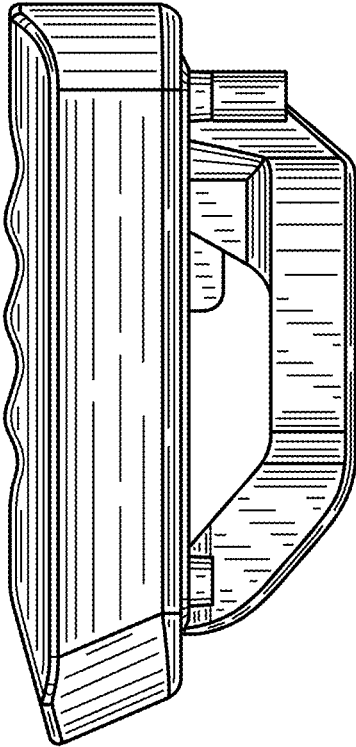


FIG. 5

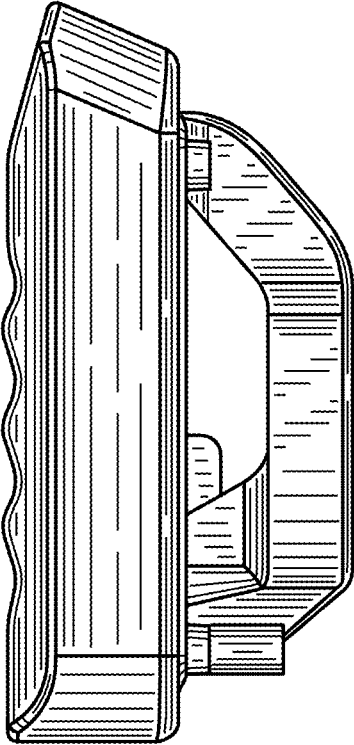


FIG. 6

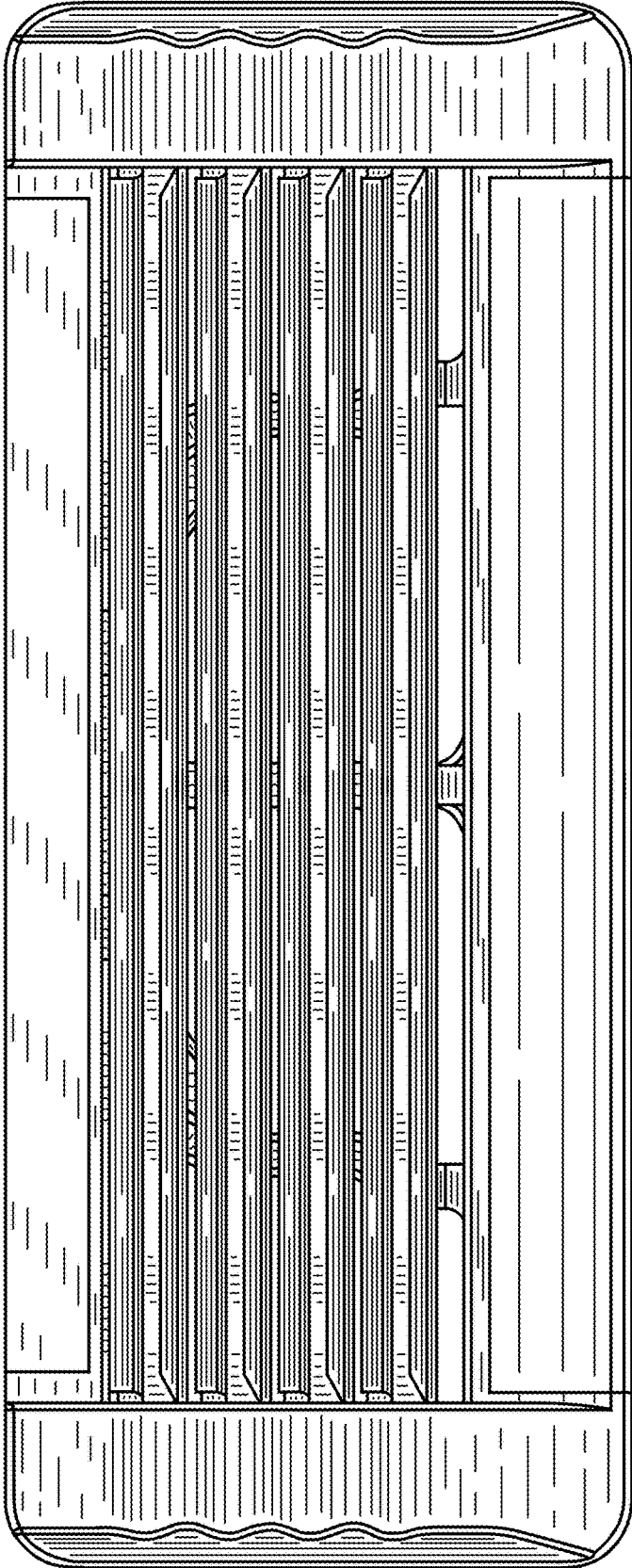


FIG. 7

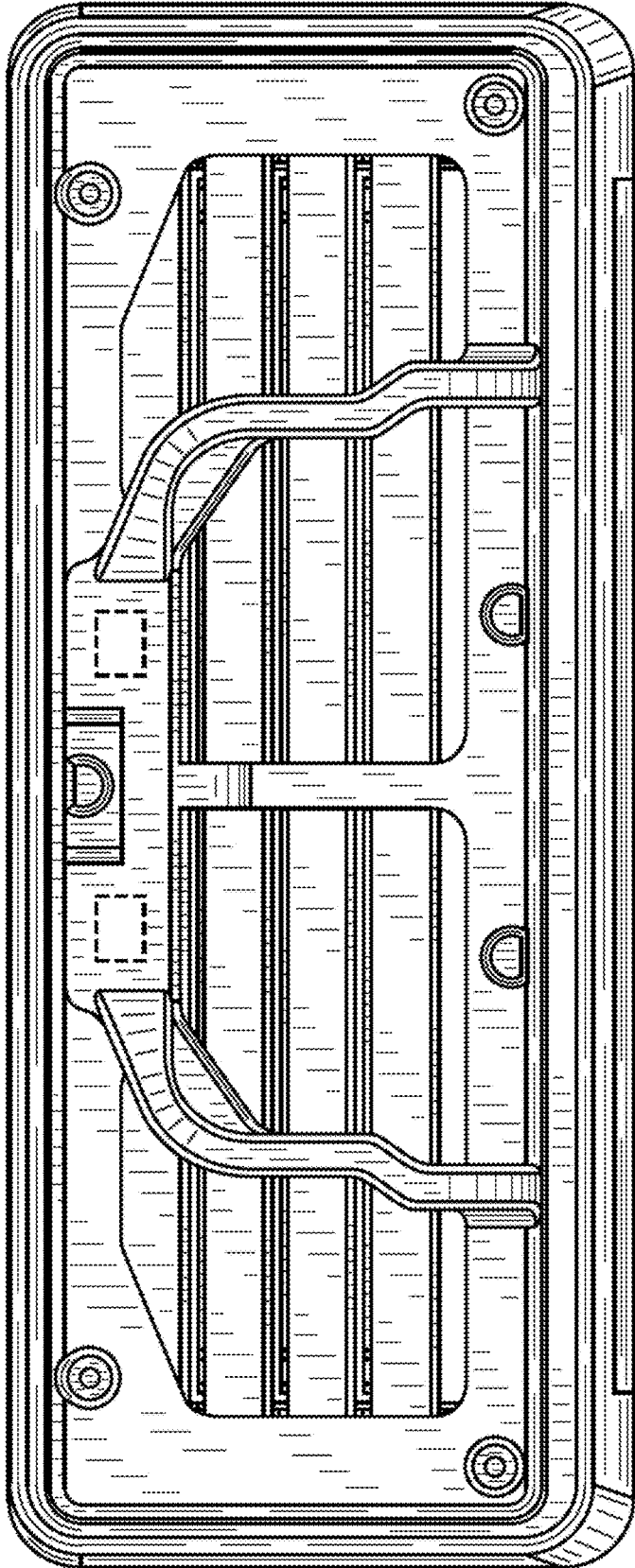


FIG. 8