

(19) World Intellectual Property Organization
International Bureau



(43) International Publication Date
22 February 2007 (22.02.2007)

PCT

(10) International Publication Number
WO 2007/021557 A3

- (51) International Patent Classification:
G06K 9/00 (2006.01)
- (21) International Application Number:
PCT/US2006/030155
- (22) International Filing Date: 2 August 2006 (02.08.2006)
- (25) Filing Language: English
- (26) Publication Language: English
- (30) Priority Data:
11/203,878 15 August 2005 (15.08.2005) US
- (71) Applicant (for all designated States except US): VISION-GATE, INC. [US/US]; 1509 56th Avenue Court NW, Gig Harbor, WA 98335 (US).
- (72) Inventors: MEYER, Michael, G.; 201 W. Olympic #301, Seattle, WA 98119 (US). RAHN, John, Richard; 21130 N.E. 43RD Place, Sammamish, WA 98074 (US). NELSON, Alan, C.; 1509 56th Avenue Court NW, Gig Harbor, WA 98335 (US). JOHNSON, Roger, H.; 1243 East Eva Street, Phoenix, AZ 85020 (US).
- (74) Agent: LEONE, George, A.; GEORGE A. LEONE, PATENT ATTORNEY, 1117 Broadway, Suite 401, Tacoma, WA 98402 (US).

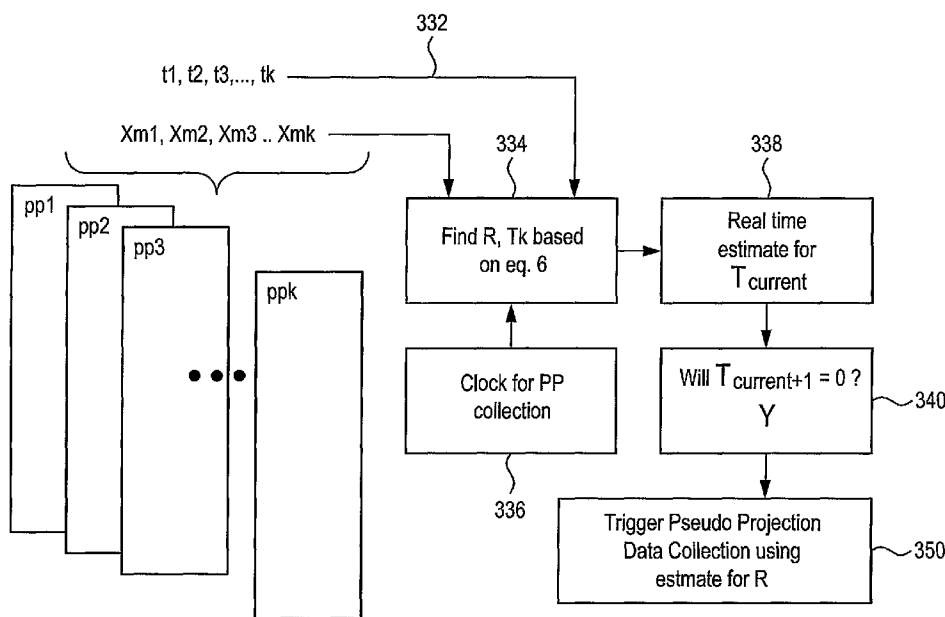
- (81) Designated States (unless otherwise indicated, for every kind of national protection available): AE, AG, AL, AM, AT, AU, AZ, BA, BB, BG, BR, BW, BY, BZ, CA, CH, CN, CO, CR, CU, CZ, DE, DK, DM, DZ, EC, EE, EG, ES, FI, GB, GD, GE, GH, GM, HN, HR, HU, ID, IL, IN, IS, JP, KE, KG, KM, KN, KP, KR, KZ, LA, LC, LK, LR, LS, LT, LU, LV, LY, MA, MD, MG, MK, MN, MW, MX, MZ, NA, NG, NI, NO, NZ, OM, PG, PH, PL, PT, RO, RS, RU, SC, SD, SE, SG, SK, SL, SM, SY, TJ, TM, TN, TR, TT, TZ, UA, UG, US, UZ, VC, VN, ZA, ZM, ZW.
- (84) Designated States (unless otherwise indicated, for every kind of regional protection available): ARIPO (BW, GH, GM, KE, LS, MW, MZ, NA, SD, SL, SZ, TZ, UG, ZM, ZW), Eurasian (AM, AZ, BY, KG, KZ, MD, RU, TJ, TM), European (AT, BE, BG, CH, CY, CZ, DE, DK, EE, ES, FI, FR, GB, GR, HU, IE, IS, IT, LT, LU, LV, MC, NL, PL, PT, RO, SE, SI, SK, TR), OAPI (BF, BJ, CF, CG, CI, CM, GA, GN, GQ, GW, ML, MR, NE, SN, TD, TG).

Published:
— with international search report

(88) Date of publication of the international search report:
15 November 2007

[Continued on next page]

(54) Title: OPTICAL TOMOGRAPHY OF SMALL OBJECTS USING PARALLEL RAY ILLUMINATION AND POST-SPECIMEN OPTICAL MAGNIFICATION



(57) Abstract: A shadowgram optical tomography system for imaging an object of interest (1). The shadowgram optical tomography system includes a parallel ray light source (35) for illuminating the object of interest (1) with a plurality of parallel radiation beams (36), an object containing tube (304), where the object of interest (1) is held within the object containing tube (304) such that it is illuminated by the plurality of parallel radiation beams (36) to produce emerging radiation (61) from the object containing tube (304), a detector array (39) located to receive the emerging radiation (61), and a system and method for tracking an image of the object of interest (1).

WO 2007/021557 A3



For two-letter codes and other abbreviations, refer to the "Guidance Notes on Codes and Abbreviations" appearing at the beginning of each regular issue of the PCT Gazette.

INTERNATIONAL SEARCH REPORT

International application No.

PCT/US06/30155

A. CLASSIFICATION OF SUBJECT MATTER
 IPC: **G06K 9/00(2006.01)**

USPC: 382/128-133
 According to International Patent Classification (IPC) or to both national classification and IPC

B. FIELDS SEARCHED

Minimum documentation searched (classification system followed by classification symbols)
 U.S. : 382/128-133

Documentation searched other than minimum documentation to the extent that such documents are included in the fields searched

Electronic data base consulted during the international search (name of data base and, where practicable, search terms used)

C. DOCUMENTS CONSIDERED TO BE RELEVANT

Category *	Citation of document, with indication, where appropriate, of the relevant passages	Relevant to claim No.
X,Y	US 6,091,983 (ALFANO et al) 18 July 2000 (18.07.2000), Col. 12 and Figure 11	1-6, 12

Further documents are listed in the continuation of Box C. See patent family annex.

* Special categories of cited documents:	
"A" document defining the general state of the art which is not considered to be of particular relevance	"T" later document published after the international filing date or priority date and not in conflict with the application but cited to understand the principle or theory underlying the invention
"E" earlier application or patent published on or after the international filing date	"X" document of particular relevance; the claimed invention cannot be considered novel or cannot be considered to involve an inventive step when the document is taken alone
"L" document which may throw doubts on priority claim(s) or which is cited to establish the publication date of another citation or other special reason (as specified)	"Y" document of particular relevance; the claimed invention cannot be considered to involve an inventive step when the document is combined with one or more other such documents, such combination being obvious to a person skilled in the art
"O" document referring to an oral disclosure, use, exhibition or other means	"&" document member of the same patent family
"P" document published prior to the international filing date but later than the priority date claimed	

Date of the actual completion of the international search: 10 July 2007 (10.07.2007) Date of mailing of the international search report: 22 AUG 2007

Name and mailing address of the ISA/US: Mail Stop PCT, Attn: ISA/US, Commissioner for Patents, P.O. Box 1450, Alexandria, Virginia 22313-1450. Facsimile No. (571) 273-3201

Authorized officer: Matthew Bella, Telephone No. 571-272-7361