



US00D990731S

(12) **United States Design Patent**
Chen

(10) **Patent No.:** **US D990,731 S**
(45) **Date of Patent:** **** Jun. 27, 2023**

(54) **TAILLIGHT**
(71) Applicant: **Qiang Chen**, Guangzhou (CN)
(72) Inventor: **Qiang Chen**, Guangzhou (CN)
(**) Term: **15 Years**
(21) Appl. No.: **29/804,075**

D776,837 S * 1/2017 Squicciarini D26/28
D849,286 S * 5/2019 Lin D26/28
D890,964 S * 7/2020 Chen D26/28
D957,700 S * 7/2022 Wu D26/28

FOREIGN PATENT DOCUMENTS

CN 307354102 * 5/2022

OTHER PUBLICATIONS

“Quasco Motorcycle Brake Tail Light Integrated Turn Signals”, available in Amazon.com, first available online May 22, 2021, site visited Feb. 28, 2023, Internet URL: https://www.amazon.com/dp/B095LZSD5C?ref_=cm_sw_r_cp_ud_dp_1S2CZ0B7VW72X1QEZEAC (Year: 2021).*

(Continued)

Primary Examiner — Angela J Lee
Assistant Examiner — Anthony Vincent Rotolo
(74) *Attorney, Agent, or Firm* — Runit R. Kanakia

(22) Filed: **Aug. 18, 2021**
(51) **LOC (14) Cl.** **26-06**
(52) **U.S. Cl.**
USPC **D26/28**
(58) **Field of Classification Search**
USPC D26/28, 29, 30, 31, 32, 33, 34, 35, 36, D26/139
CPC . B60Q 1/30; F21W 2102/17; F21W 2102/30; F21W 2103/00; F21W 2103/35; F21W 2103/40; F21W 2103/55; F21W 2104/00; F21W 2107/13; F21W 2107/17; F21S 41/00; F21S 41/141; F21S 41/162; F21S 41/18; F21S 41/20; F21S 41/33; F21S 41/36; F21S 41/60; F21S 43/00; F21S 43/15; F21S 43/245; F21S 43/50; F21V 21/04

See application file for complete search history.

(57) **CLAIM**

I claim the ornamental design for a taillight, as shown and described.

DESCRIPTION

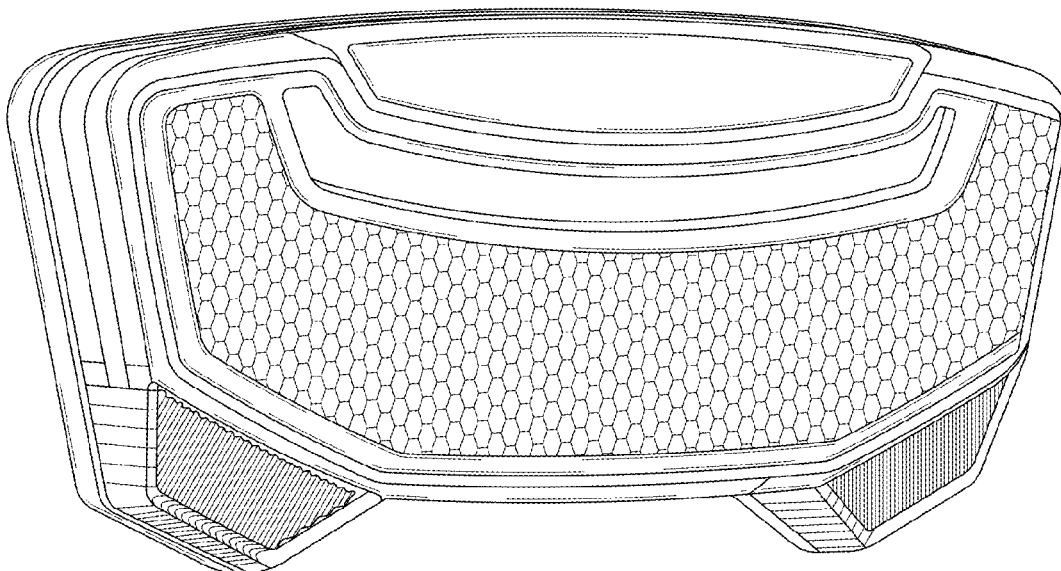
FIG. 1 is a Perspective view of a taillight showing my new design;
FIG. 2 is a Front view thereof;
FIG. 3 is a Back view thereof;
FIG. 4 is a Left-side view thereof;
FIG. 5 is a Right-side view thereof;
FIG. 6 is a Top view thereof; and,
FIG. 7 is a Bottom view thereof.
The broken lines in the drawings depict portions of the taillight that form no part of the claimed design.

1 Claim, 6 Drawing Sheets

(56) **References Cited**

U.S. PATENT DOCUMENTS

D493,903 S * 8/2004 Otsubo D26/28
D511,585 S * 11/2005 Manchester D26/28
D518,203 S * 3/2006 Phillips D26/28
D528,682 S * 9/2006 Shimada D26/28
D535,768 S * 1/2007 Mikami D26/28
D538,955 S * 3/2007 Katagiri D26/28
D551,365 S * 9/2007 Shimokawa D26/28
D560,004 S * 1/2008 Lukasak D26/28
D562,997 S * 2/2008 Uemoto D26/28
D568,501 S * 5/2008 Nakazawa D26/28
D568,502 S * 5/2008 Kudo D26/28



(56)

References Cited

OTHER PUBLICATIONS

“Erdos Universal 12V Motorcycle Brake Light LED Turn Signal”, available in Amazon.com, first available online Jan. 11, 2023, site visited Feb. 28, 2023, Internet URL: https://www.amazon.com/dp/B0BSLG9RRW?ref_=cm_sw_r_cp_ud_dp_E8BM6W73RZPWGDE9RAMC (Year: 2023).*

“Purzi Motorcycle turn signal LED Motorcycle LED Rear Tail Lights”, available in Amazon.com, first available online Feb. 22, 2023, site visited Feb. 28, 2023, Internet URL: https://www.amazon.com/dp/B0BWGXH8TL?ref_=cm_sw_r_cp_ud_dp_B7Y5MDVJ4W6YE46AE8QD&th=1 (Year: 2023).*

“Brock Replacement Passengers Taillight Tail Lamp Lens”, available in Amazon.com, first available online Jun. 11, 2018, site visited Feb. 28, 2023, Internet URL: <https://www.amazon.com/Passengers-Taillight-Replacement-Honda-33500TR0A01/dp/B07DNJYY2G> (Year: 2018).*

* cited by examiner

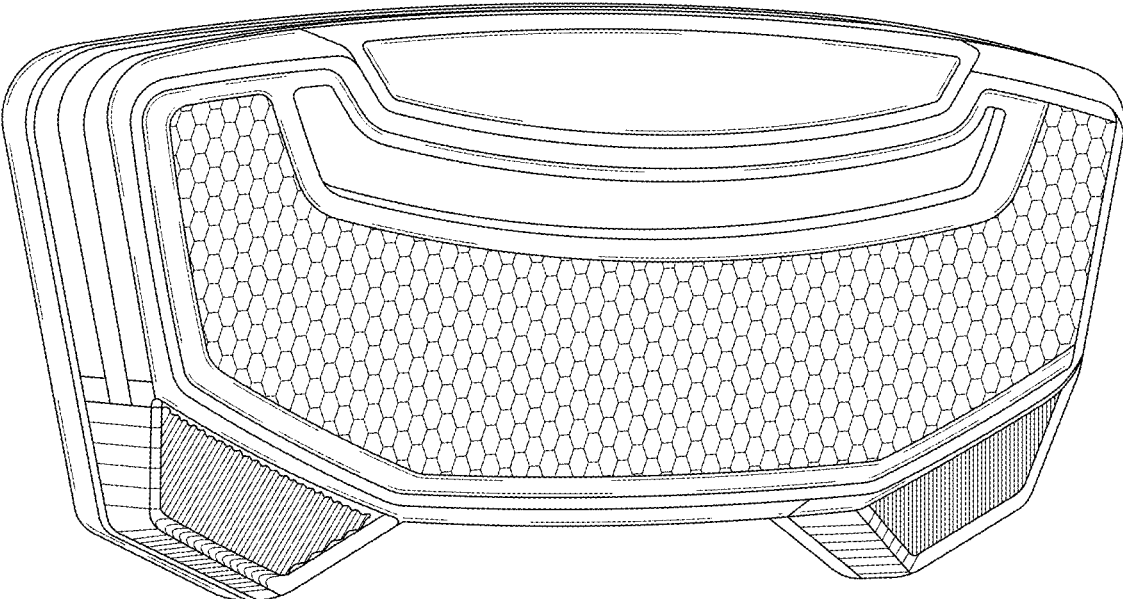


FIG. 1

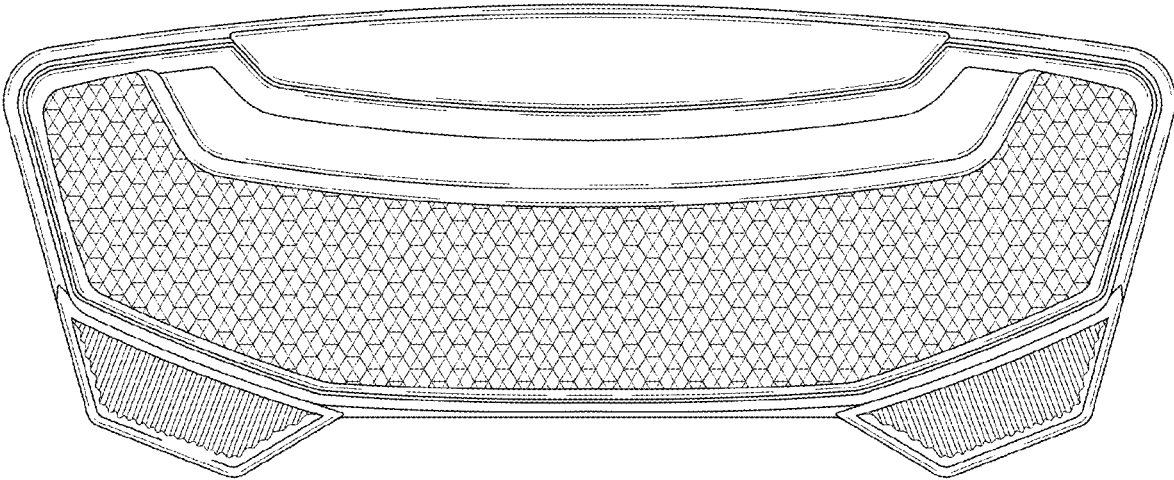


FIG. 2

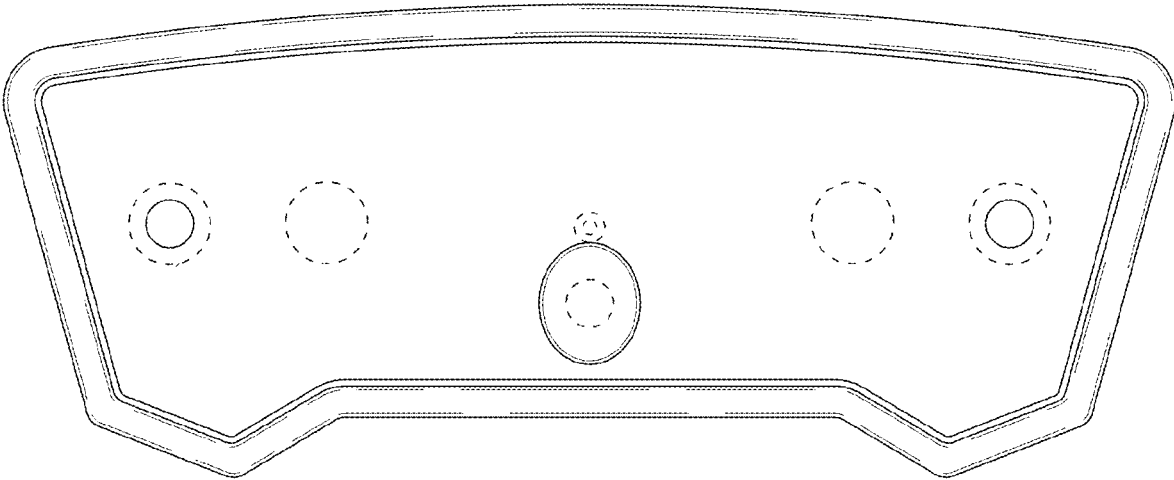


FIG. 3

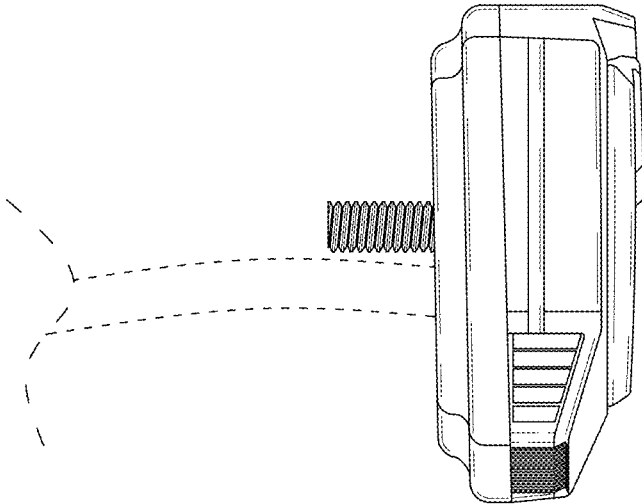


FIG. 4

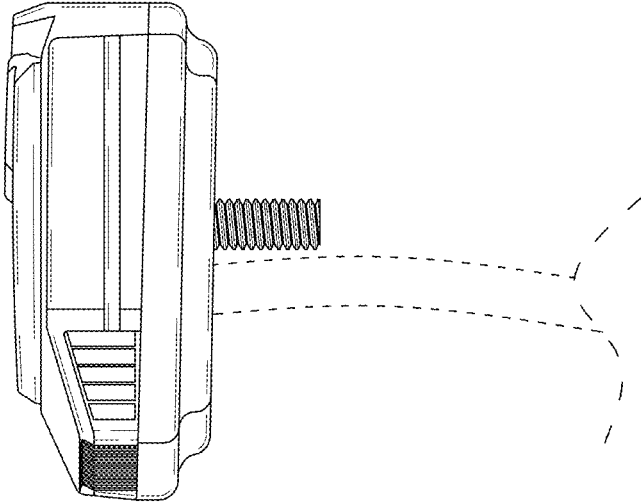


FIG. 5

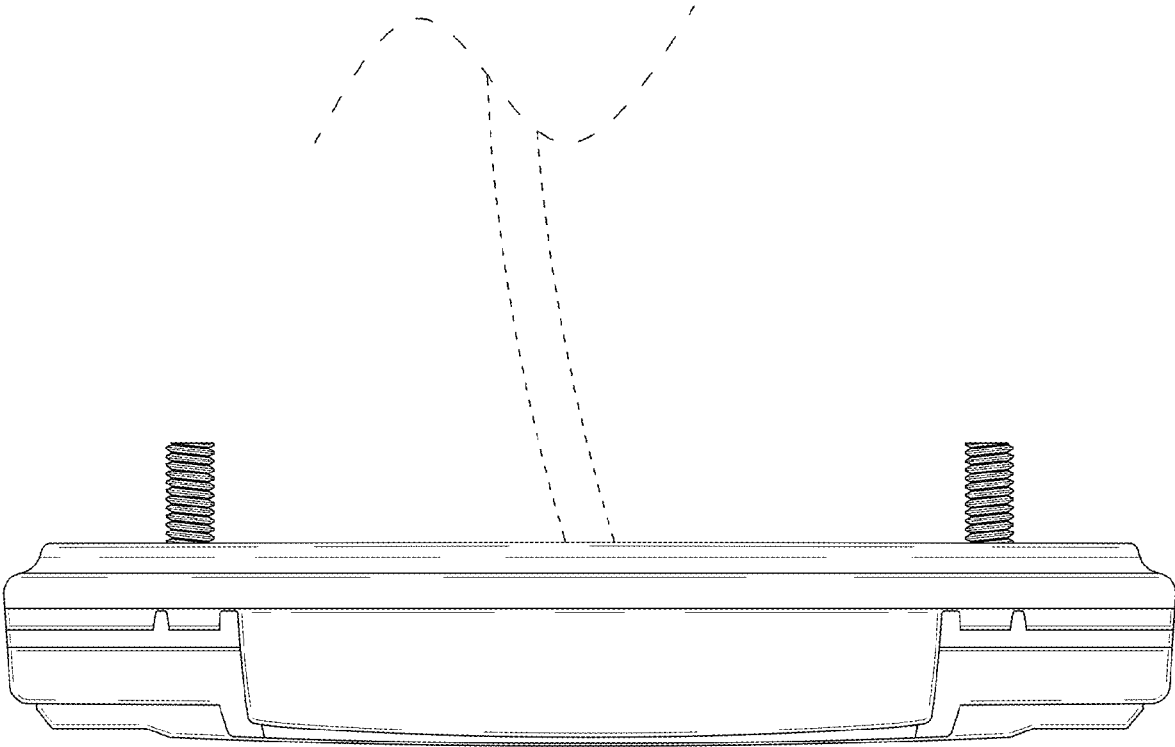


FIG. 6

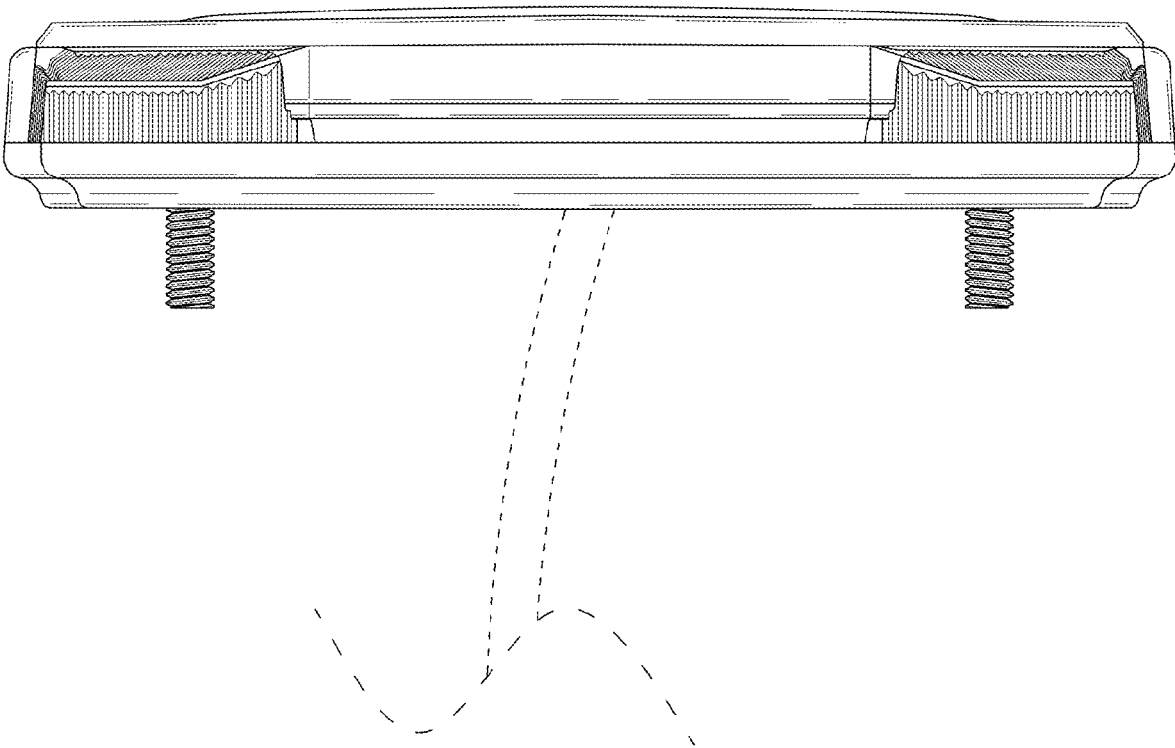


FIG. 7