

(19) World Intellectual Property Organization  
International Bureau



(43) International Publication Date  
21 December 2006 (21.12.2006)

PCT

(10) International Publication Number  
WO 2006/135696 A3

(51) International Patent Classification:

A61K 9/70 (2006.01) C09J 7/02 (2006.01)  
A61F 13/02 (2006.01)

(21) International Application Number:

PCT/US2006/022340

(22) International Filing Date: 8 June 2006 (08.06.2006)

(25) Filing Language: English

(26) Publication Language: English

(30) Priority Data:

60/689,212 10 June 2005 (10.06.2005) US

(71) Applicant (for all designated States except US): 3M INNOVATIVE PROPERTIES COMPANY [US/US]; 3m Center, Post Office Box 33427, Saint Paul, Minnesota 55133-3427 (US).

(72) Inventors; and

(75) Inventors/Applicants (for US only): KNUTSON, Gordon P. [US/US]; 3M Center, Post Office Box 33427, Saint Paul, Minnesota 55133-3427 (US). SEVER, John M. [US/US]; 3M Center, Post Office Box 33427, Saint Paul, Minnesota 55133-3427 (US).

(74) Agents: CANTOR, Adam, S. et al.; Office of Intellectual Property Counsel, Post Office Box 33427, Saint Paul, MN 55133-3427 (US).

(81) Designated States (unless otherwise indicated, for every kind of national protection available): AE, AG, AL, AM, AT, AU, AZ, BA, BB, BG, BR, BW, BY, BZ, CA, CH, CN, CO, CR, CU, CZ, DE, DK, DM, DZ, EC, EE, EG, ES, FI, GB, GD, GE, GH, GM, HR, HU, ID, IL, IN, IS, JP, KE, KG, KM, KN, KP, KR, KZ, LC, LK, LR, LS, LT, LU, LV, LY, MA, MD, MG, MK, MN, MW, MX, MZ, NA, NG, NI, NO, NZ, OM, PG, PH, PL, PT, RO, RU, SC, SD, SE, SG, SK, SL, SM, SY, TJ, TM, TN, TR, TT, TZ, UA, UG, US, UZ, VC, VN, YU, ZA, ZM, ZW.

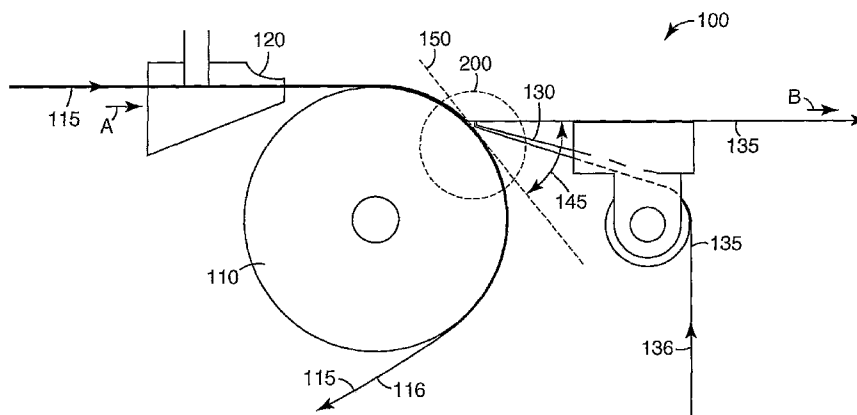
(84) Designated States (unless otherwise indicated, for every kind of regional protection available): ARIPO (BW, GH, GM, KE, LS, MW, MZ, NA, SD, SL, SZ, TZ, UG, ZM, ZW), Eurasian (AM, AZ, BY, KG, KZ, MD, RU, TJ, TM), European (AT, BE, BG, CH, CY, CZ, DE, DK, EE, ES, FI, FR, GB, GR, HU, IE, IS, IT, LT, LU, LV, MC, NL, PL, PT, RO, SE, SI, SK, TR), OAPI (BF, BJ, CF, CG, CI, CM, GA, GN, GQ, GW, ML, MR, NE, SN, TD, TG).

Declarations under Rule 4.17:

- as to applicant's entitlement to apply for and be granted a patent (Rule 4.17(ii))
- as to the applicant's entitlement to claim the priority of the earlier application (Rule 4.17(iii))

[Continued on next page]

(54) Title: METHOD FOR HANDLING ADHESIVE LAMINATE SECTIONS



(57) Abstract: A method of handling an adhesive laminate, wherein the adhesive laminate is provided releasably adhered to a first web, comprising a plurality of cut or punched sections and wherein adjacent sections of the adhesive laminate remain joined to one another in the longitudinal direction of the web through one or more tie points. A first supporting structure and a second supporting structure adjacent to the first supporting structure are provided. The first web is led over the first supporting structure. A second web is provided and led over the second supporting structure, wherein the second web is oriented such that the release surface of the second web faces the first supporting structure. A leading portion of a first section of adhesive laminate from the first web is attached to the release surface of the second web and the second web is advanced such that the first section of the adhesive laminate is detached from a second section of adhesive laminate and the leading edge of the second section of adhesive laminate is adhered to the second web in a spaced apart configuration from the trailing edge of the first section of the adhesive laminate. A transdermal drug delivery device prepared by such a method.



WO 2006/135696 A3



**Published:**

- with international search report
- before the expiration of the time limit for amending the claims and to be republished in the event of receipt of amendments

*For two-letter codes and other abbreviations, refer to the "Guidance Notes on Codes and Abbreviations" appearing at the beginning of each regular issue of the PCT Gazette.*

**(88) Date of publication of the international search report:**

7 June 2007

# INTERNATIONAL SEARCH REPORT

International application No  
PCT/US2006/022340

**A. CLASSIFICATION OF SUBJECT MATTER**  
INV. A61K9/70 A61F13/02 C09J7/02

According to International Patent Classification (IPC) or to both national classification and IPC

**B. FIELDS SEARCHED**

Minimum documentation searched (classification system followed by classification symbols)  
A61F A61K C09J

Documentation searched other than minimum documentation to the extent that such documents are included in the fields searched

Electronic data base consulted during the international search (name of data base and, where practical, search terms used)

EPO-Internal, WPI Data, EMBASE, BIOSIS, COMPENDEX

**C. DOCUMENTS CONSIDERED TO BE RELEVANT**

Category*	Citation of document, with indication, where appropriate, of the relevant passages	Relevant to claim No.
X	US 6 059 913 A (ASMUSSEN BODO [DE] ET AL) 9 May 2000 (2000-05-09) the whole document	1-22
X	----- US 5 681 413 A (HILLE THOMAS [DE] ET AL) 28 October 1997 (1997-10-28) column 1, line 36 - column 2, line 5 column 3, line 53 - column 4, line 51 column 5, lines 16-25; figures 1-3; example 1	1-22
X	----- US 6 365 178 B1 (VENKATESHWARAN SRINIVASAN [US] ET AL) 2 April 2002 (2002-04-02) cited in the application example 3	21,22
	----- -/--	

Further documents are listed in the continuation of Box C.

See patent family annex.

\* Special categories of cited documents :

- \*A\* document defining the general state of the art which is not considered to be of particular relevance
- \*E\* earlier document but published on or after the international filing date
- \*L\* document which may throw doubts on priority claim(s) or which is cited to establish the publication date of another citation or other special reason (as specified)
- \*O\* document referring to an oral disclosure, use, exhibition or other means
- \*P\* document published prior to the international filing date but later than the priority date claimed

- \*T\* later document published after the international filing date or priority date and not in conflict with the application but cited to understand the principle or theory underlying the invention
- \*X\* document of particular relevance; the claimed invention cannot be considered novel or cannot be considered to involve an inventive step when the document is taken alone
- \*Y\* document of particular relevance; the claimed invention cannot be considered to involve an inventive step when the document is combined with one or more other such documents, such combination being obvious to a person skilled in the art.
- \*&\* document member of the same patent family

Date of the actual completion of the international search

29 March 2007

Date of mailing of the international search report

11/04/2007

Name and mailing address of the ISA/  
European Patent Office, P.B. 5818 Patentlaan 2  
NL - 2280 HV Rijswijk  
Tel. (+31-70) 340-2040, Tx. 31 651 epo nl,  
Fax: (+31-70) 340-3016

Authorized officer

Marttin, Emmeline

# INTERNATIONAL SEARCH REPORT

International application No  
PCT/US2006/022340

C(Continuation). DOCUMENTS CONSIDERED TO BE RELEVANT		
Category*	Citation of document, with indication, where appropriate, of the relevant passages	Relevant to claim No.
X	US 2002/119187 A1 (CANTOR ADAM S [US] ET AL) 29 August 2002 (2002-08-29) cited in the application examples -----	21,22

# INTERNATIONAL SEARCH REPORT

Information on patent family members

International application No

PCT/US2006/022340

Patent document cited in search report	Publication date	Patent family member(s)	Publication date			
US 6059913	A	09-05-2000	AT 213144 T 15-02-2002			
			AU 709517 B2 02-09-1999			
			AU 1176397 A 14-07-1997			
			CA 2240416 A1 26-06-1997			
			CN 1205623 A 20-01-1999			
			CZ 9801710 A3 14-10-1998			
			DE 19547691 C1 24-04-1997			
			DK 959834 T3 27-05-2002			
			WO 9722315 A1 26-06-1997			
			EP 0959834 A1 01-12-1999			
			ES 2172698 T3 01-10-2002			
			HK 1026356 A1 22-11-2002			
			HU 0000209 A2 28-10-2000			
			IL 124618 A 23-12-2001			
			JP 3585128 B2 04-11-2004			
			JP 2000502090 T 22-02-2000			
			NO 982844 A 19-06-1998			
			NZ 324305 A 28-01-2000			
			PL 327602 A1 21-12-1998			
			PT 959834 T 31-07-2002			
			SK 67598 A3 07-10-1998			
			ZA 9610666 A 27-06-1997			
			US 5681413	A	28-10-1997	AT 146355 T 15-01-1997
						AU 687011 B2 19-02-1998
AU 4817293 A 26-04-1994						
CA 2145072 A1 14-04-1994						
CZ 9500738 A3 18-10-1995						
DE 4232279 C1 21-10-1993						
DK 661958 T3 09-06-1997						
WO 9407449 A1 14-04-1994						
EP 0661958 A1 12-07-1995						
ES 2098778 T3 01-05-1997						
FI 951419 A 24-03-1995						
GR 3022864 T3 30-06-1997						
HR 931236 A2 30-04-1995						
HU 71526 A2 28-12-1995						
IL 107076 A 14-11-1996						
JP 8501479 T 20-02-1996						
JP 3621094 B2 16-02-2005						
NO 951137 A 24-03-1995						
NZ 256014 A 27-08-1996						
PL 308146 A1 24-07-1995						
SI 9300500 A 31-03-1994						
SK 38595 A3 06-11-1996						
ZA 9307069 A 18-04-1994						
US 6365178	B1	02-04-2002				NONE
US 2002119187	A1	29-08-2002	US 2006222691 A1 05-10-2006			