

[54] TOY MOTORCYCLE

[75] Inventor: Erling T. Dideriksen, Billund, Denmark

[73] Assignee: Interlego A.G., Switzerland

[\*\*] Term: 14 Years

[21] Appl. No.: 448,779

[22] Filed: Dec. 10, 1982

[30] Foreign Application Priority Data

Nov. 17, 1982 [DK] Denmark ..... 1087/82

[52] U.S. Cl. .... D21/135

[58] Field of Search ..... D12/110; D21/76, 78, D21/79, 80, 81, 128, 135, 137; 446/440

[56] References Cited

PUBLICATIONS

Stellar Mini-Bike Flier, 3-1970, front cover, Mini-Bike.

Sears Summer Catalog, 1959, p. 181, Motor Scooter at top left corner of page.

Motor Magazine, 6-1959, p. 166, Scooter at top of page. Stile Industria, 2-1962, p. 22, Scooter at bottom of page.

Primary Examiner—Charles A. Rademaker

Attorney, Agent, or Firm—Kane, Dalsimer, Kane, Sullivan and Kurucz

[57] CLAIM

The ornamental design for toy motorcycle, as shown and described.

DESCRIPTION

FIG. 1 is a perspective view of a toy motorcycle showing my new design;

FIG. 2 is a bottom plan view thereof;

FIG. 3 is a front elevational view thereof;

FIG. 4 is a side elevational view thereof, the side opposite being substantially a mirror image;

FIG. 5 is a top plan view thereof; and,

FIG. 6 is a rear elevational view thereof.

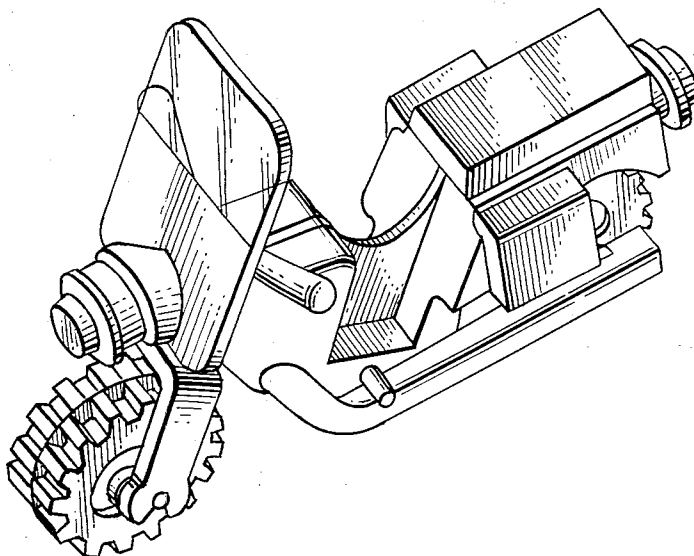


FIG. 1.

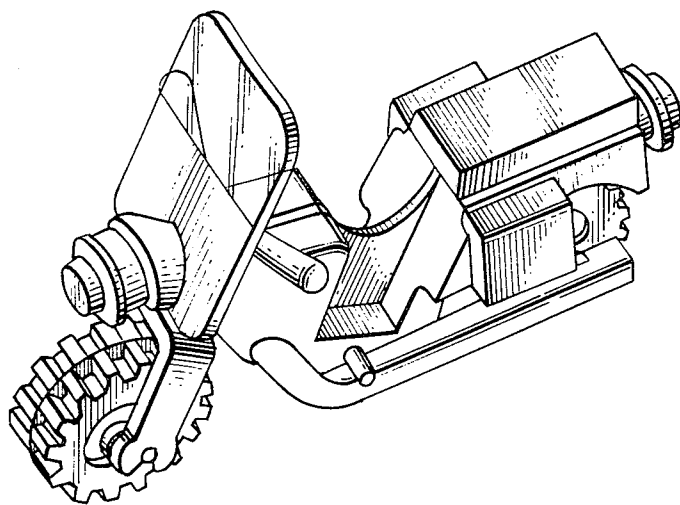


FIG. 2.

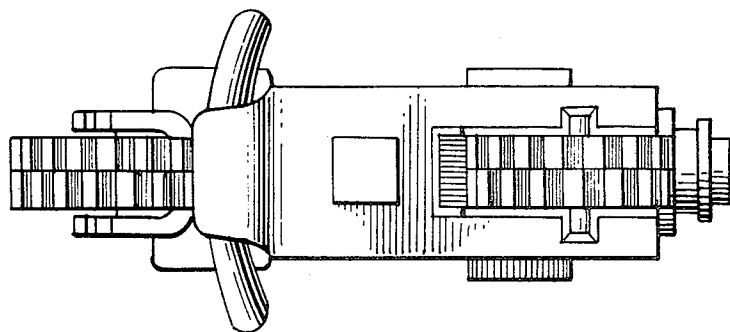


FIG. 3.

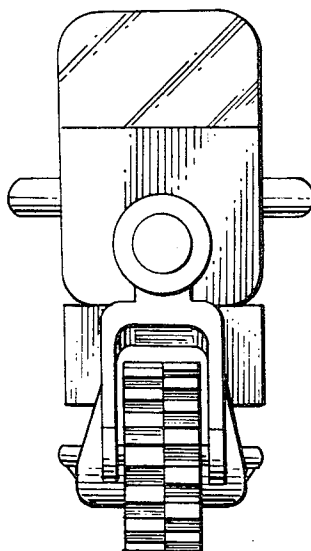


FIG. 4.

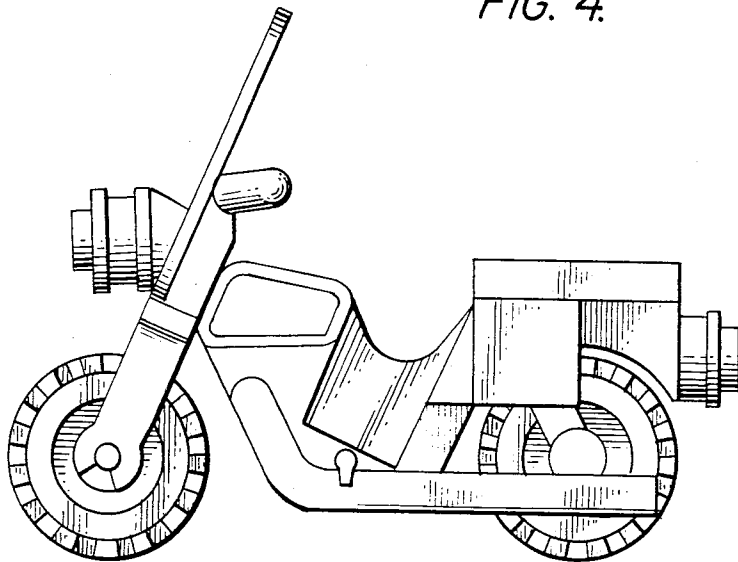


FIG. 5.

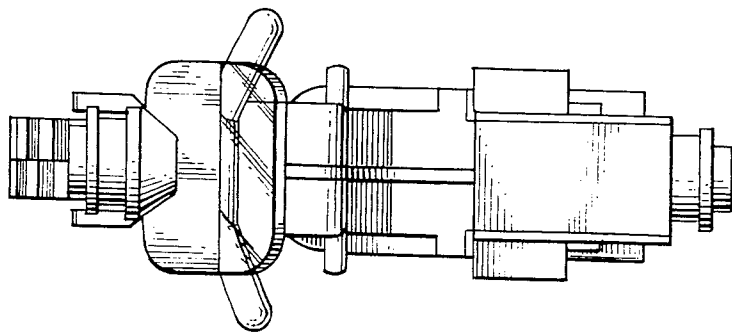


FIG. 6.

