



US00D737503S

(12) **United States Design Patent**
Now

(10) **Patent No.:** **US D737,503 S**

(45) **Date of Patent:** **** Aug. 25, 2015**

(54) **SEALABLE STACKABLE CONTAINER**

Primary Examiner — Holly Baynham

(74) *Attorney, Agent, or Firm* — QuickPatents; Kevin Prince

(71) Applicant: **Leo Now**, South San Francisco, CA (US)

(72) Inventor: **Leo Now**, South San Francisco, CA (US)

(57) **CLAIM**

(**) Term: **14 Years**

I claim the ornamental design for a sealable stackable container, as shown and described.

(21) Appl. No.: **29/459,297**

(22) Filed: **Jun. 27, 2013**

DESCRIPTION

(51) **LOC (10) Cl.** **27-06**

(52) **U.S. Cl.**

USPC **D27/172**

(58) **Field of Classification Search**

CPC B65D 85/12

See application file for complete search history.

(56)

References Cited

U.S. PATENT DOCUMENTS

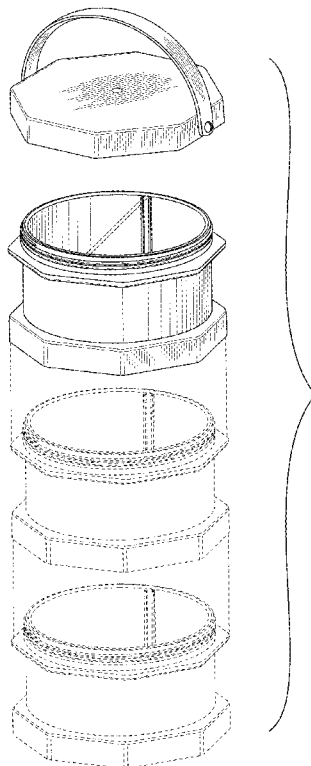
2,415,589	A *	2/1947	Hahn	206/327
D177,493	S *	4/1956	Burnside	D24/224
6,290,059	B1 *	9/2001	Chuan	206/238
D520,373	S *	5/2006	Ortiz	D9/559
D525,532	S *	7/2006	Glass	D9/559
D607,340	S *	1/2010	Klis	D9/559
7,892,327	B2 *	2/2011	Neff	96/108
D653,127	S *	1/2012	Cronin et al.	D9/780
D677,832	S *	3/2013	Fastuca	D27/189

* cited by examiner

FIG. 1 is an exploded top perspective view of a sealable stackable container, showing my new design; FIG. 2 is a top perspective view thereof; FIG. 3 is an exploded front elevational view thereof; FIG. 4 is an exploded rear elevational view thereof; FIG. 5 is an exploded left-side elevational view thereof; FIG. 6 is an exploded right-side elevational view thereof; FIG. 7 is an exploded top plan view thereof; FIG. 8 is an exploded bottom plan view thereof; FIG. 9 is an exploded bottom perspective view thereof; and FIG. 10 is a cross-sectional view of a lid of the design, taken along line 10-10 of FIG. 7; and, FIG. 11 is a cross-sectional view of a container of the design, taken along line 11-11 of FIG. 8.

The broken lines showing a removable container divider and additional container bases in FIG. 1 depict environmental matter and form no part of the claimed design.

1 Claim, 5 Drawing Sheets



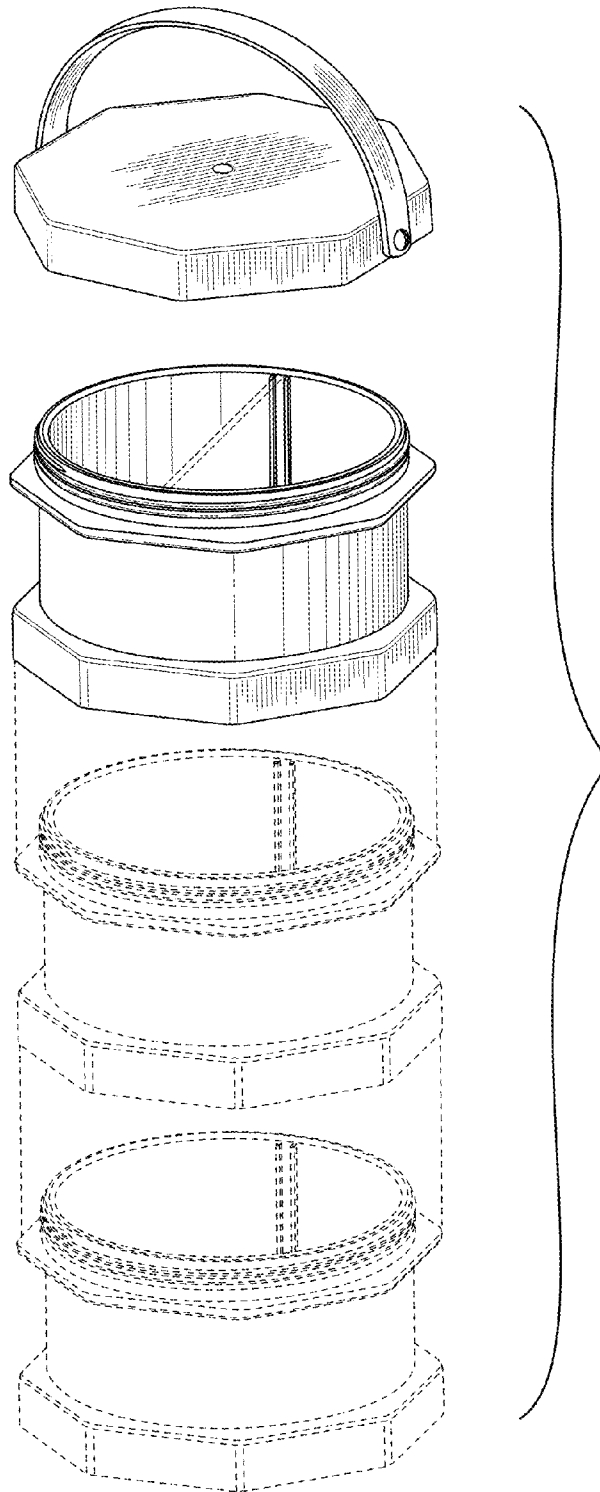


FIG. 1

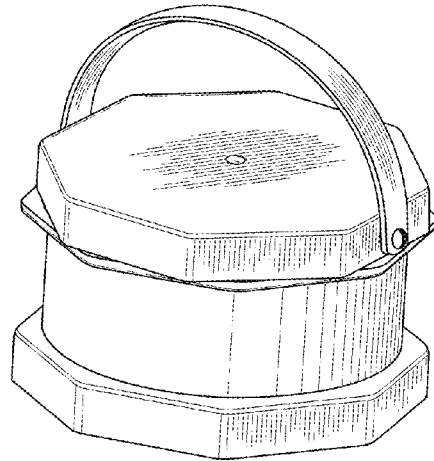


FIG. 2

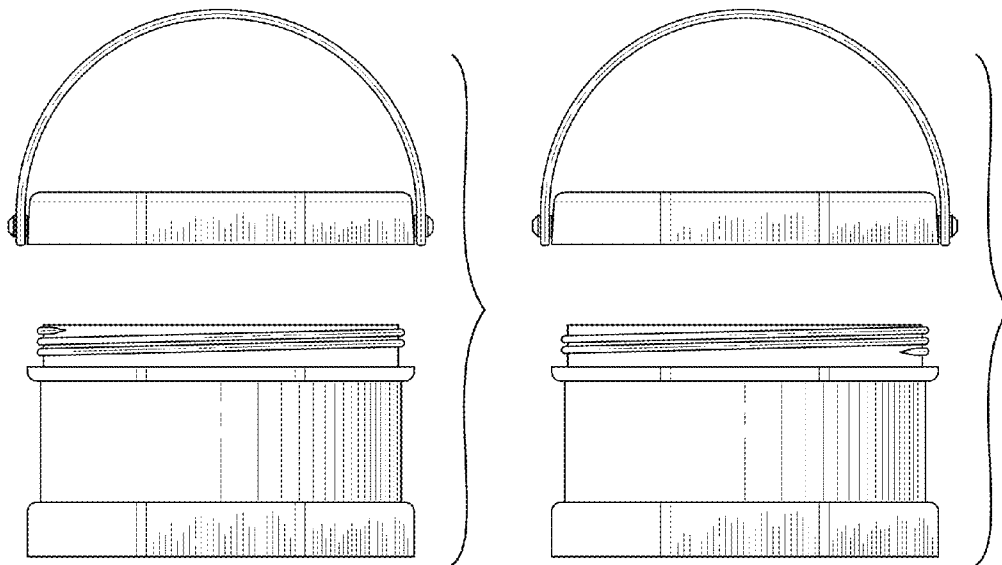


FIG. 3

FIG. 4

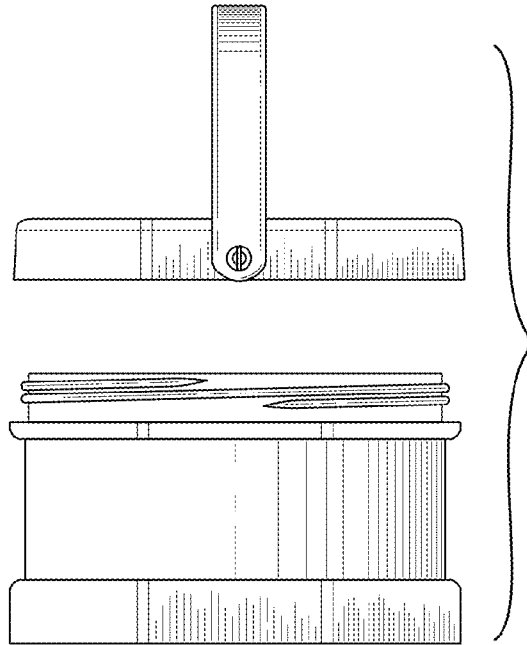


FIG. 5

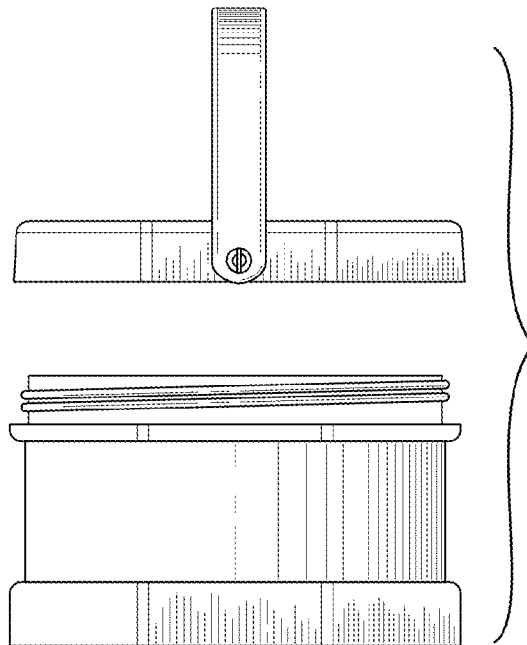
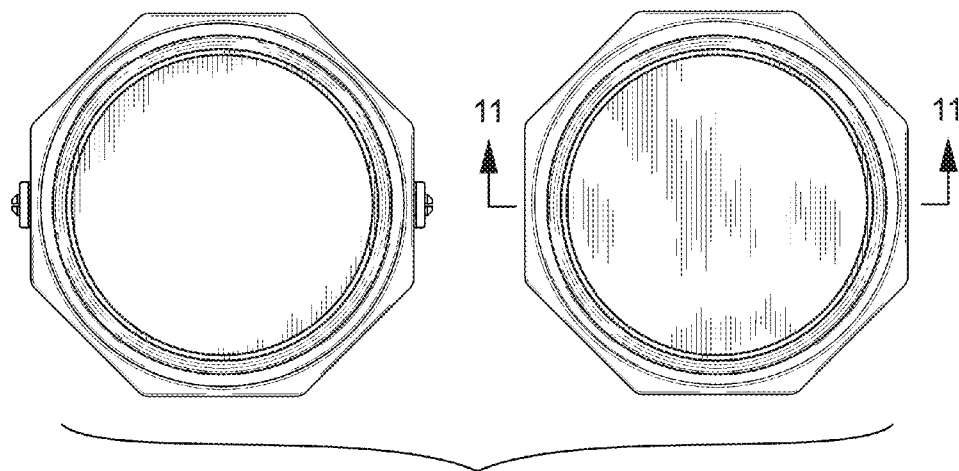
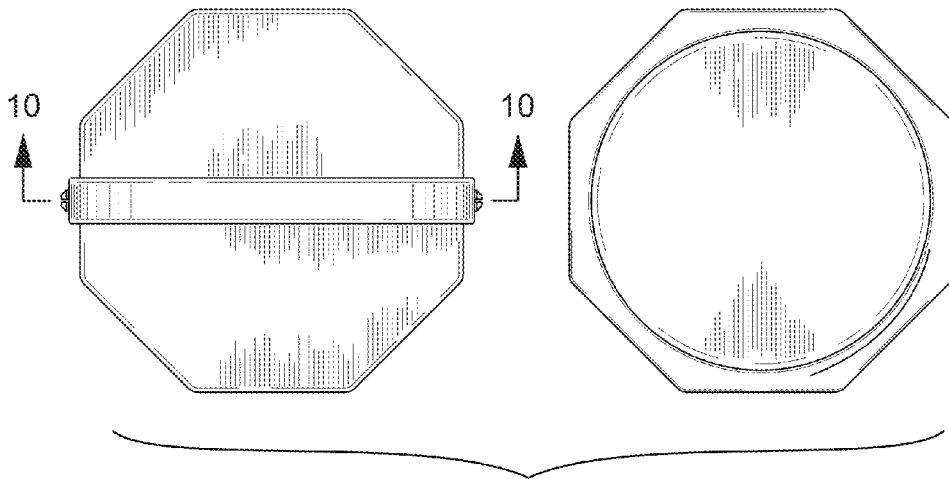


FIG. 6



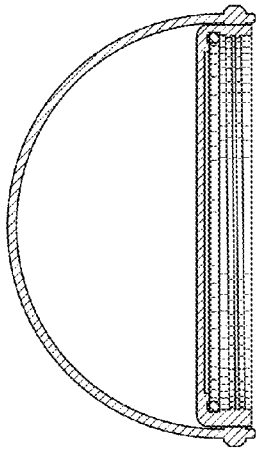


FIG. 10

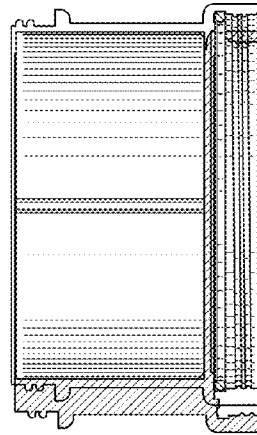


FIG. 11

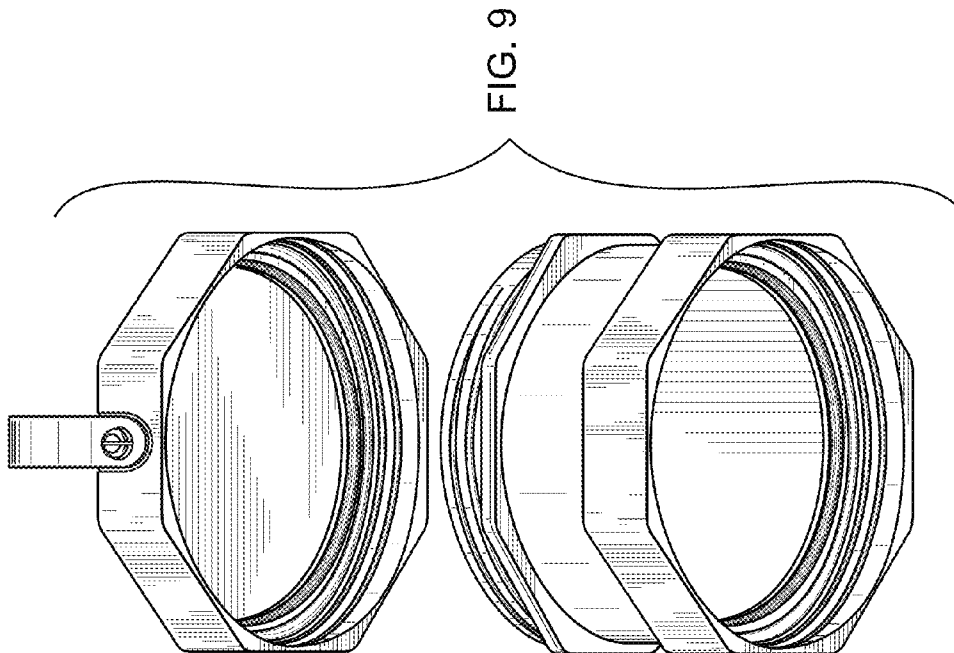


FIG. 9