



US00D743084S

(12) **United States Design Patent**
Lay et al.

(10) **Patent No.:** **US D743,084 S**

(45) **Date of Patent:** **** Nov. 10, 2015**

- (54) **LIGHT FIXTURE**
- (71) Applicant: **Cree, Inc.**, Durham, NC (US)
- (72) Inventors: **James Michael Lay**, Apex, NC (US);
Don Miletich, Franklin, WI (US)

D577,455 S * 9/2008 Zheng D26/71
 7,513,659 B2 4/2009 Vukosic et al.
 7,559,672 B1 7/2009 Parkyn et al.
 D615,233 S * 5/2010 Josefowicz D26/71

(Continued)

- (73) Assignee: **Cree, Inc.**, Durham, NC (US)

(**) Term: **14 Years**

(21) Appl. No.: **29/514,861**

(22) Filed: **Jan. 16, 2015**

Related U.S. Application Data

- (62) Division of application No. 29/447,793, filed on Mar. 6, 2013, now Pat. No. Des. 721,844.

(51) **LOC (10) Cl.** **26-05**

(52) **U.S. Cl.**
USPC **D26/71**

(58) **Field of Classification Search**
 USPC D26/69-71, 92
 CPC F21S 9/03; F21S 8/085; F21S 8/086;
 F21W 2131/103; F21V 15/01
 See application file for complete search history.

(56) **References Cited**

U.S. PATENT DOCUMENTS

5,918,842	A	7/1999	Garfinkle
6,158,882	A	12/2000	Bischoff, Jr.
6,679,461	B1	1/2004	Hawkins
6,776,504	B2	8/2004	Sloan et al.
6,882,111	B2	4/2005	Kan et al.
7,163,328	B2	1/2007	Chang et al.

FOREIGN PATENT DOCUMENTS

WO 0216826 A1 2/2002

OTHER PUBLICATIONS

Security Lighting Systems. UCL LED Recessed Petroleum Canopy Luminaire brochure. 4 pages.

Primary Examiner — Clare E Heflin

(74) *Attorney, Agent, or Firm* — Jansson Munger McKinley & Shape Ltd.

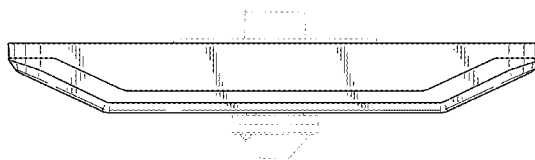
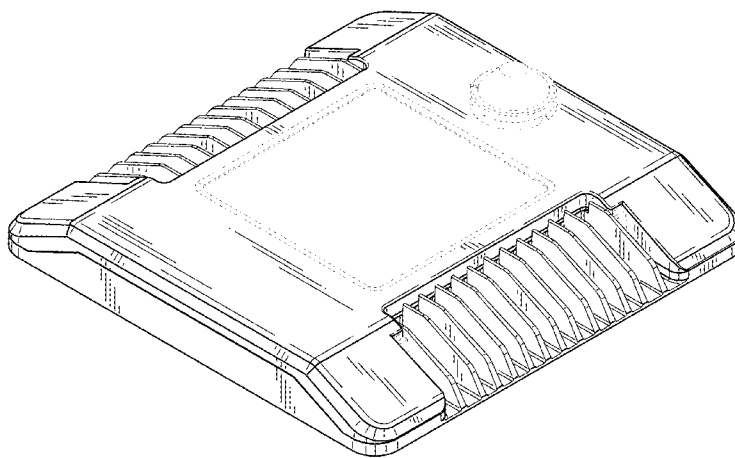
(57) **CLAIM**

The ornamental design for a light fixture, as shown and described.

DESCRIPTION

FIG. 1 is a perspective view of the light fixture;
 FIG. 2 is a bottom plan view of the light fixture of FIG. 1;
 FIG. 3 is a top plan view of the light fixture of FIG. 1;
 FIG. 4 is a right-side elevation of the light fixture of FIG. 1, the left-side elevation view being a mirror image thereof; and,
 FIG. 5 is a front elevation of the light fixture of FIG. 1, the rear elevation being a mirror image thereof.
 The phantom lines are provided for illustrative purposes only and form no part of the claimed design.

1 Claim, 4 Drawing Sheets



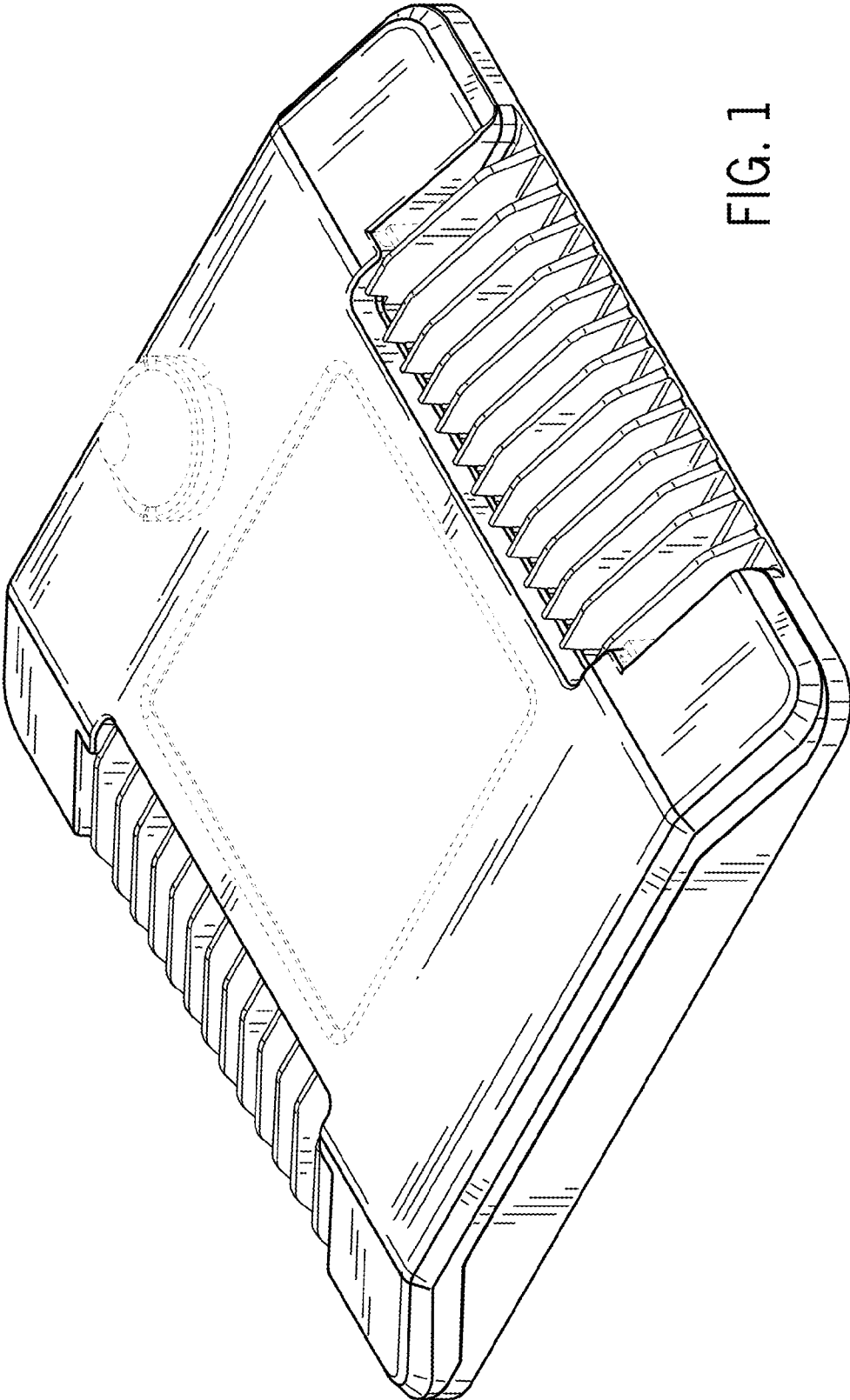


FIG. 1

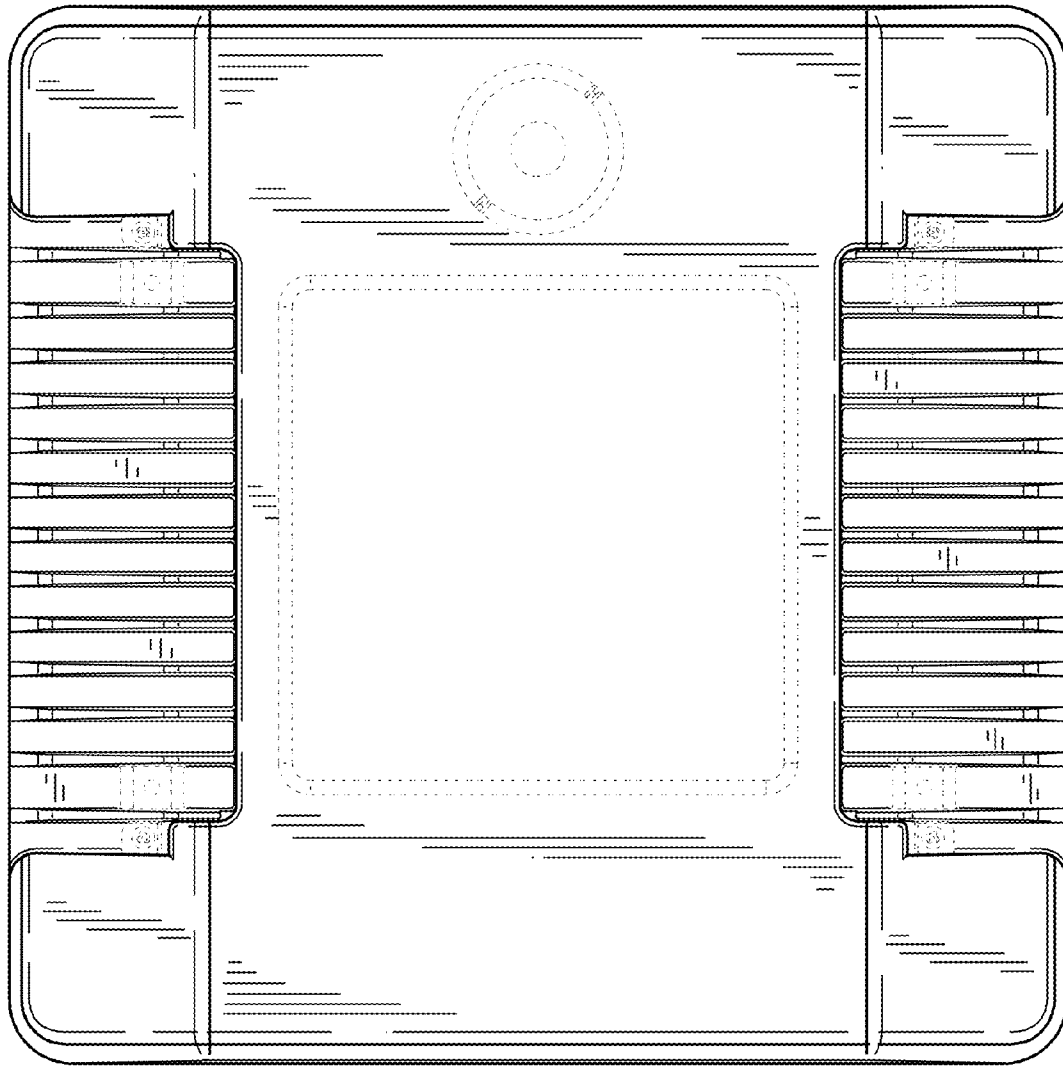


FIG. 2

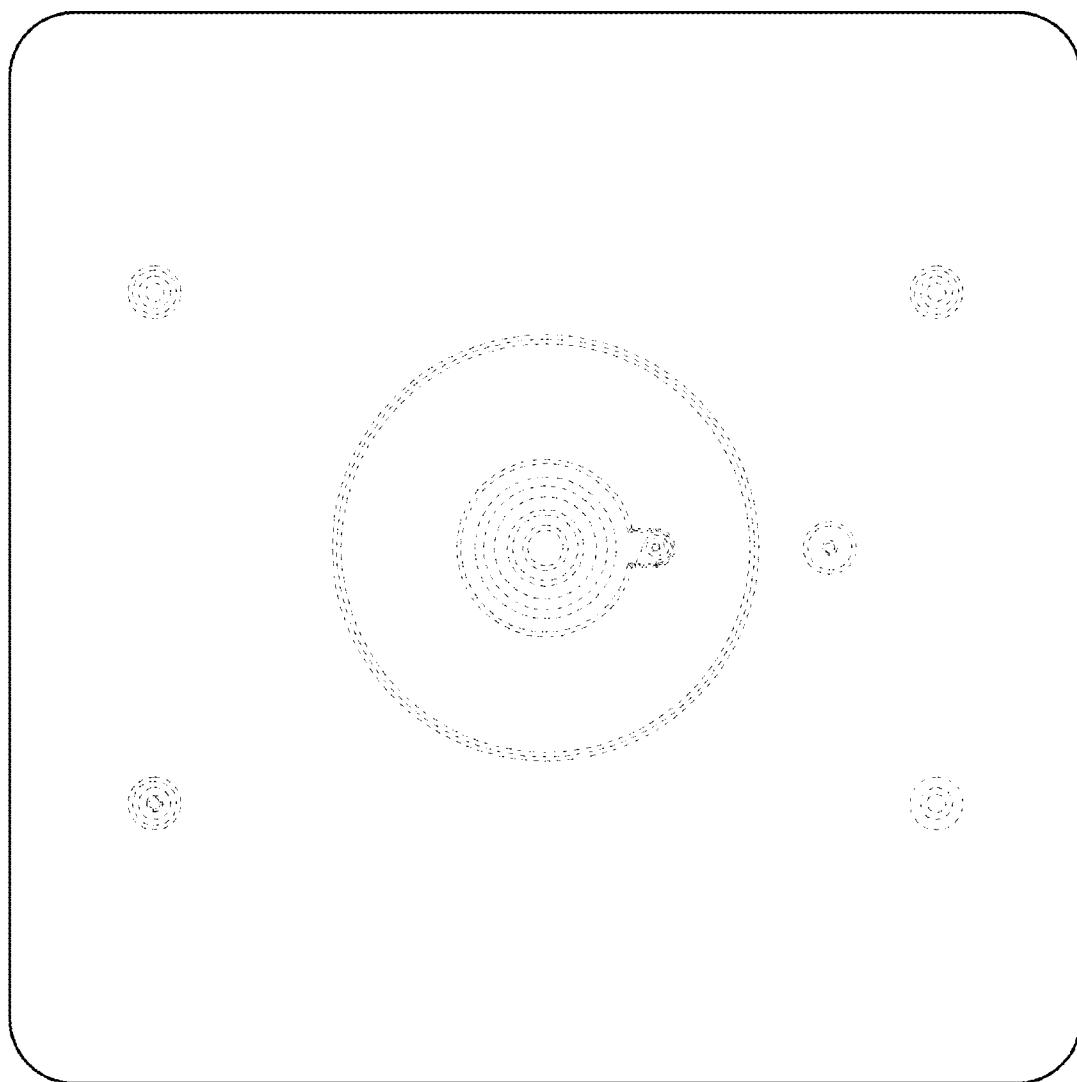


FIG. 3

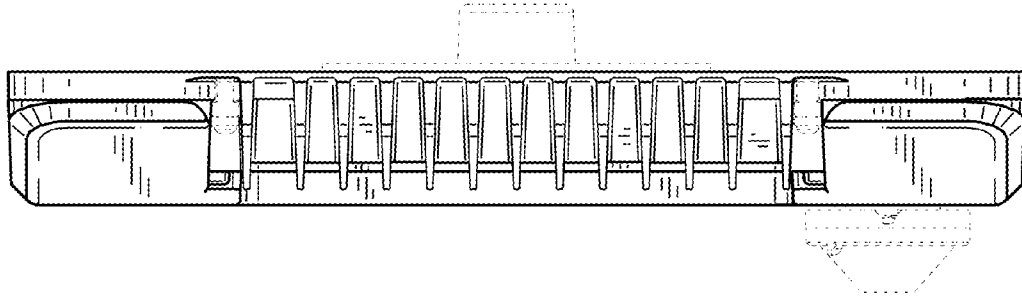


FIG. 4

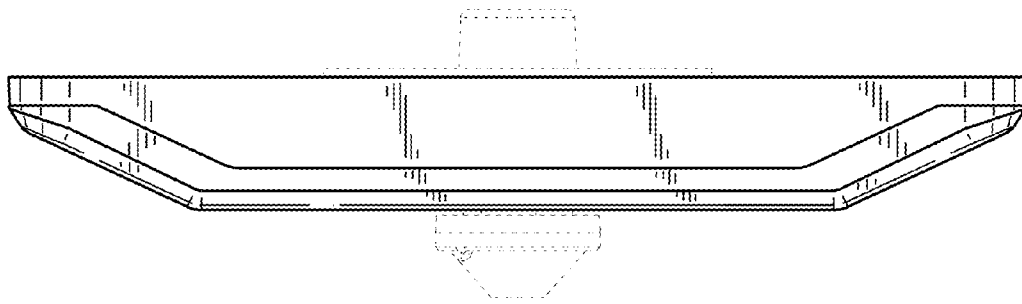


FIG. 5