



US00D390084S

United States Patent [19]
McCabe, Jr.

[11] **Patent Number:** **Des. 390,084**
[45] **Date of Patent:** ****Feb. 3, 1998**

[54] **HAND HELD SKATE SHARPENER**

[57] **CLAIM**

[76] **Inventor:** **Paul J. McCabe, Jr.**, 90 Bryant Rd., Cranston, R.I. 02910

The ornamental design for a hand held skate sharpener, as shown and described.

[**] **Term:** **14 Years**

DESCRIPTION

[21] **Appl. No.:** **64,696**

FIG. 1 is a perspective view of a hand held skate sharpener, showing my new design;

[22] **Filed:** **Jan. 9, 1997**

FIG. 2 is a front elevational view thereof;

[51] **LOC (6) CL** **08-03**

FIG. 3 is a rear elevational view thereof;

[52] **U.S. Cl.** **D8/62; D8/63; D8/91**

FIG. 4 is a right side elevational view thereof;

[58] **Field of Search** **D8/62, 63, 90, D8/91, 92, 93; 76/82, 83, 88; 451/45, 557, 558**

FIG. 5 is a left side elevational view thereof;

FIG. 6 is a top plan view thereof;

FIG. 7 is a bottom plan view thereof;

FIG. 8 is a top, front and right side perspective view thereof, wherein the broken line showings of the skate and hands are for illustrative purposes only and form no part of the claimed design;

[56] **References Cited**

U.S. PATENT DOCUMENTS

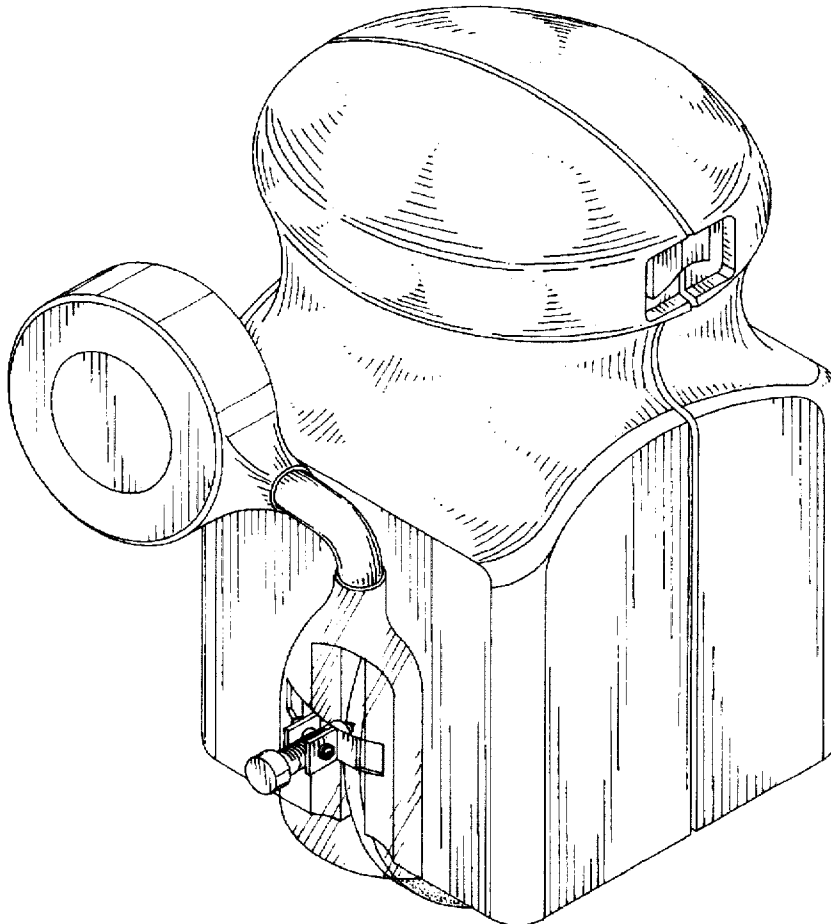
D. 170,935	11/1953	Palma, Jr. et al.	D8/63
D. 175,067	7/1955	Ernest	D8/63
D. 269,940	8/1983	Hirosawa	D8/93
D. 363,867	11/1995	Harrison et al.	D8/63
4,172,343	10/1979	Sakcriska	451/45
4,722,152	2/1988	Ek et al.	451/45
4,756,125	7/1988	Kadnar	451/45
5,189,845	3/1993	Courchesne	451/557

FIG. 9 is a top, front and left side perspective view thereof, wherein the broken line showings of the skate and hands are for illustrative purposes only and form no part of the claimed design; and,

FIG. 10 is a front elevational view thereof, wherein the broken line showings of the skate and table top are for illustrative purposes only and form no part of the claimed design.

Primary Examiner—Philip S. Hyder

1 Claim, 7 Drawing Sheets



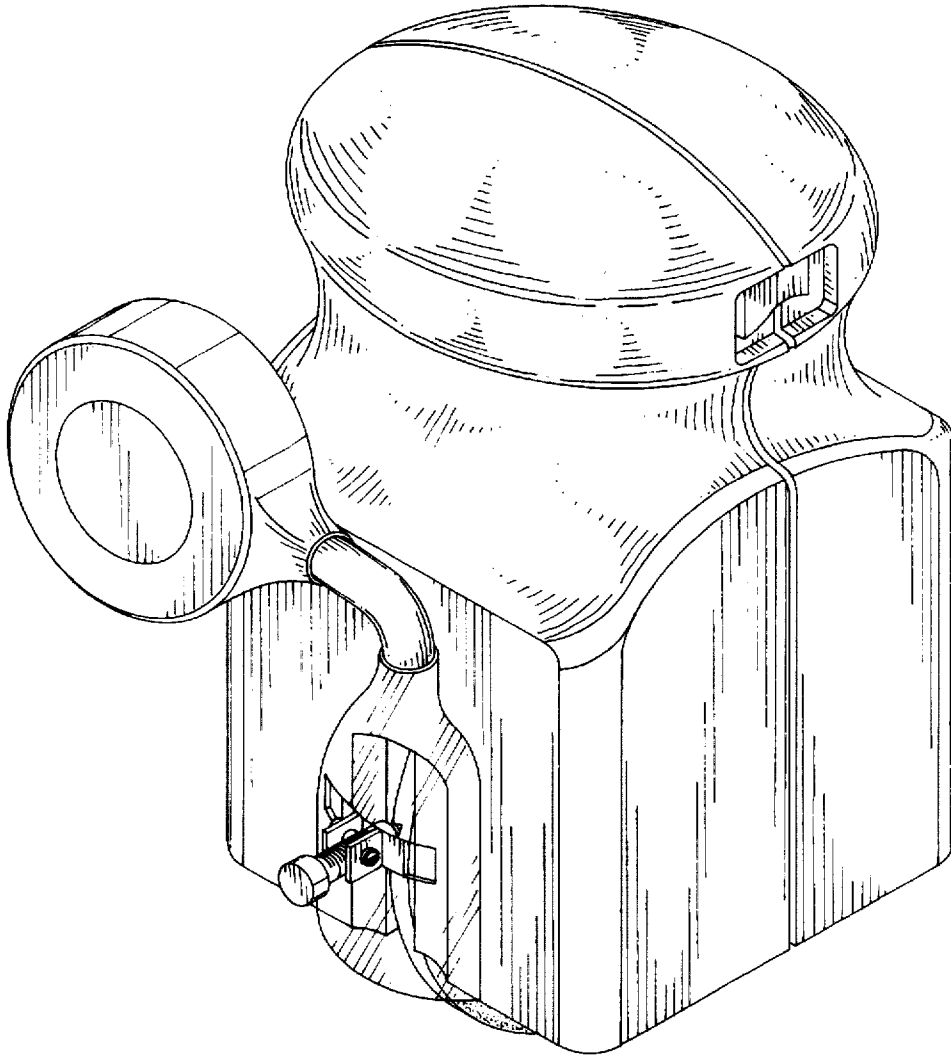


FIG. 1

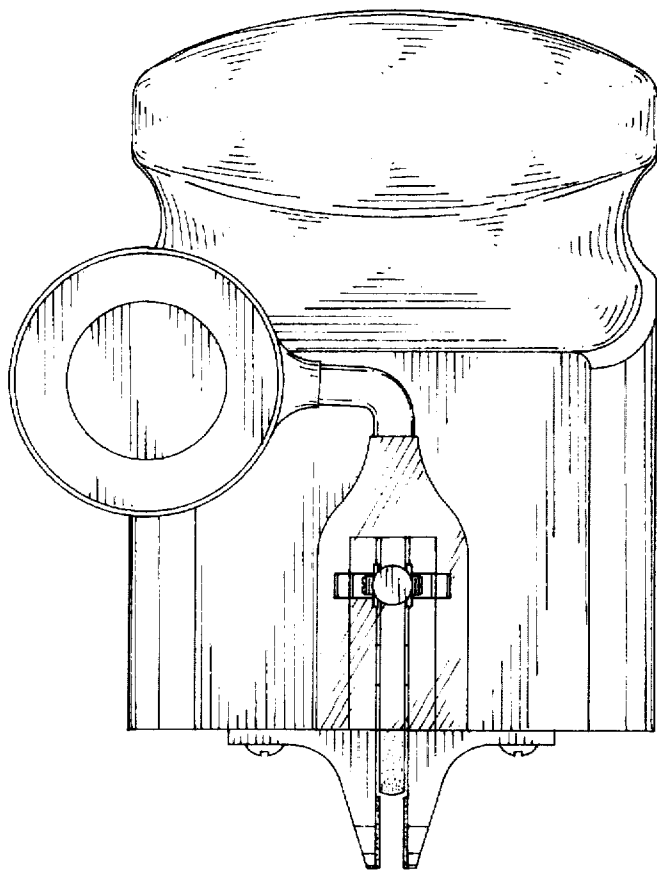


FIG. 2

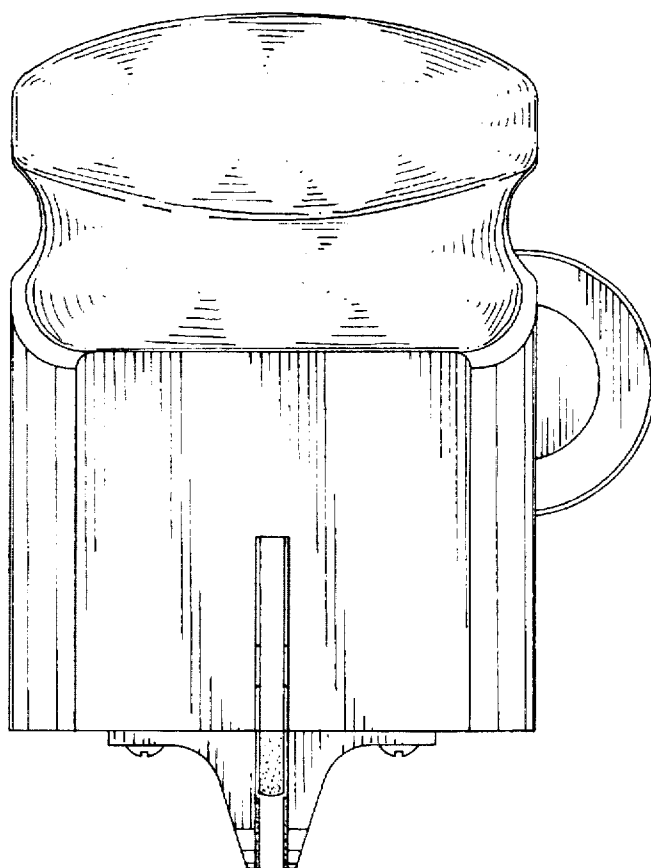


FIG. 3

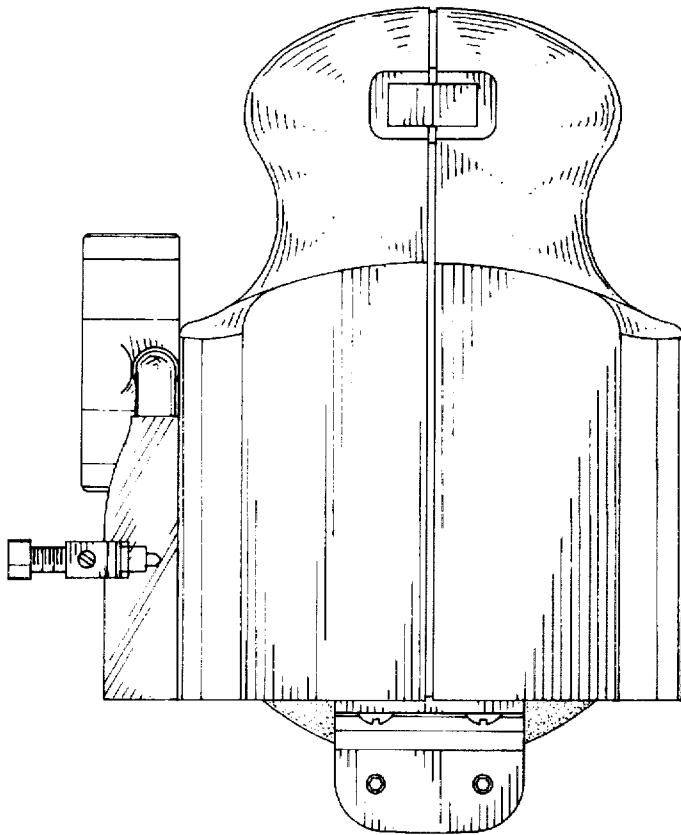
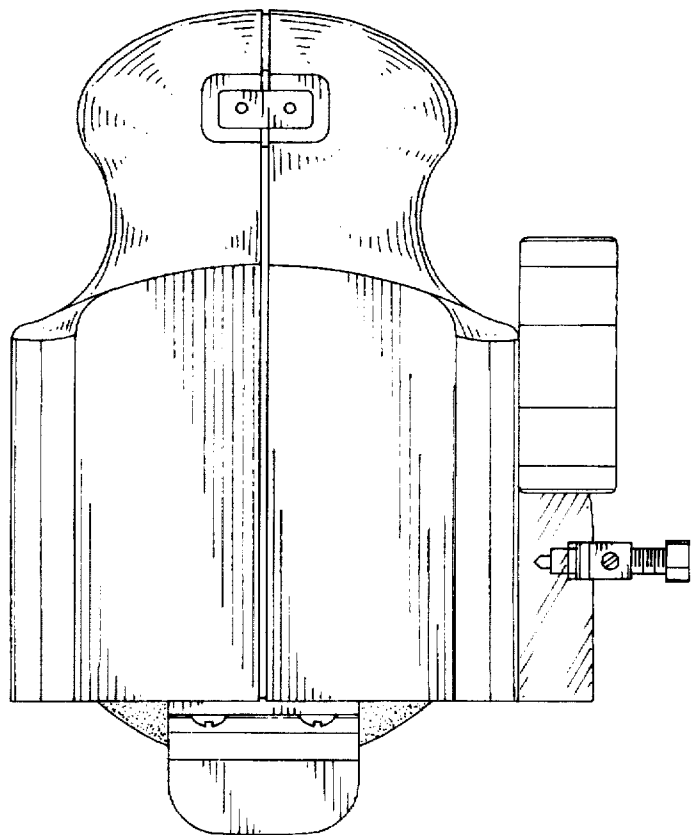


FIG. 4

FIG. 5



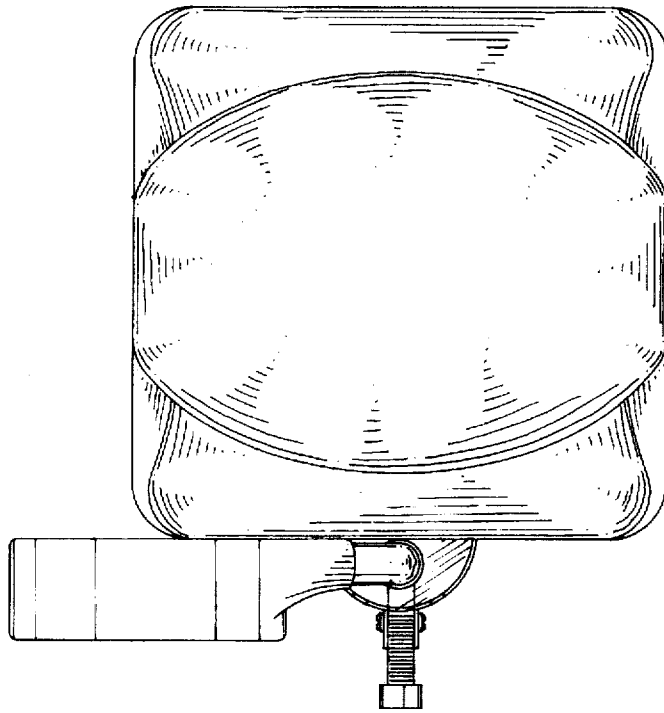


FIG. 6

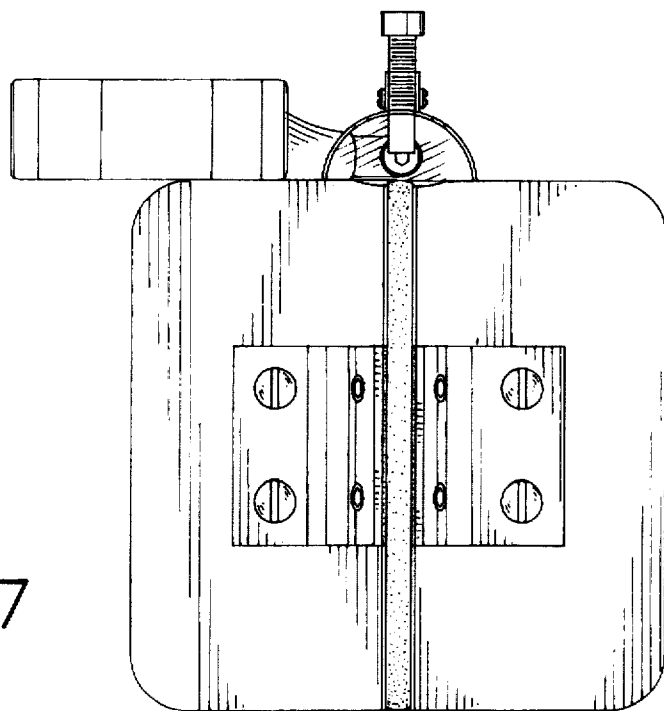


FIG. 7

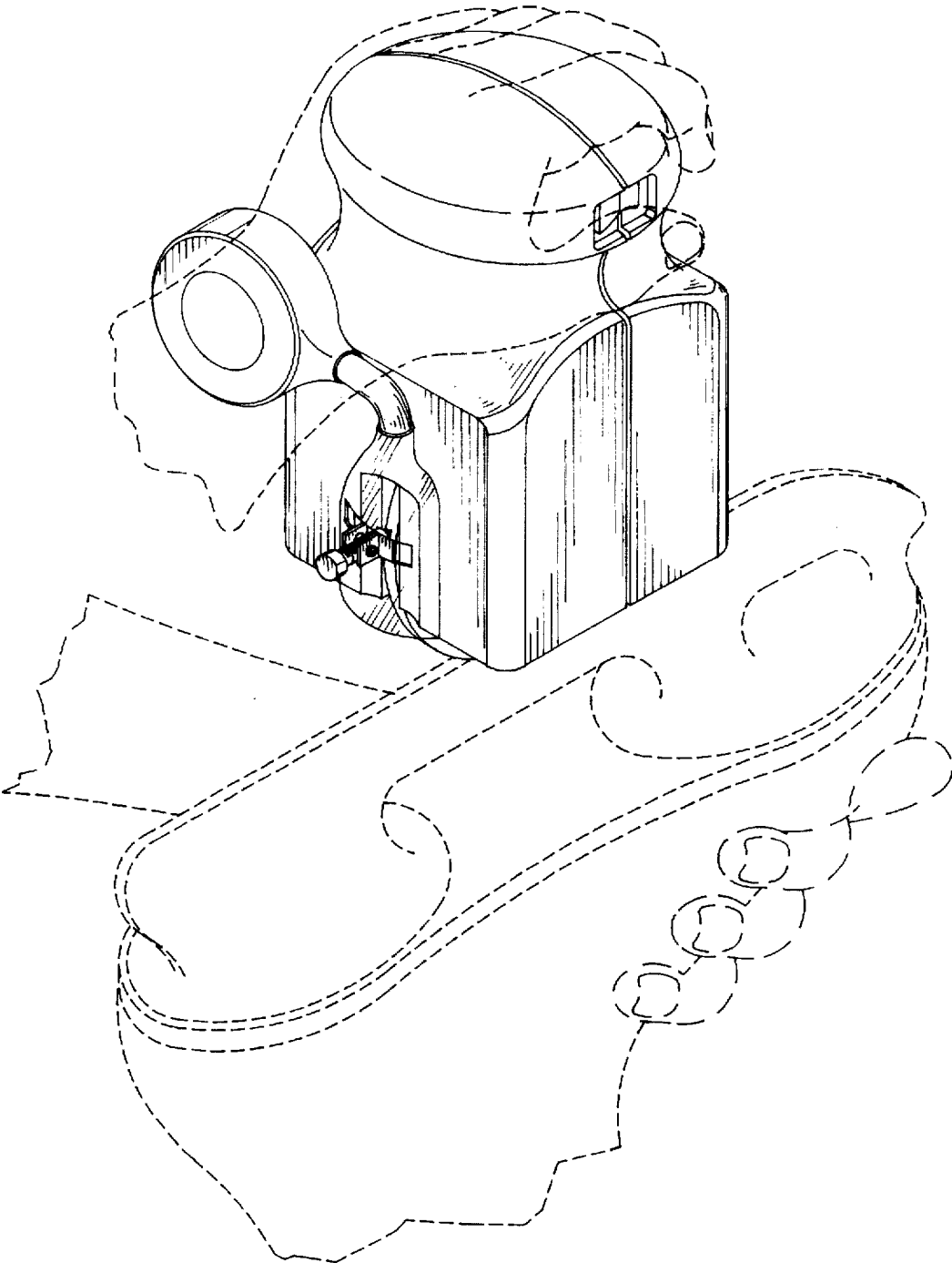


FIG. 8

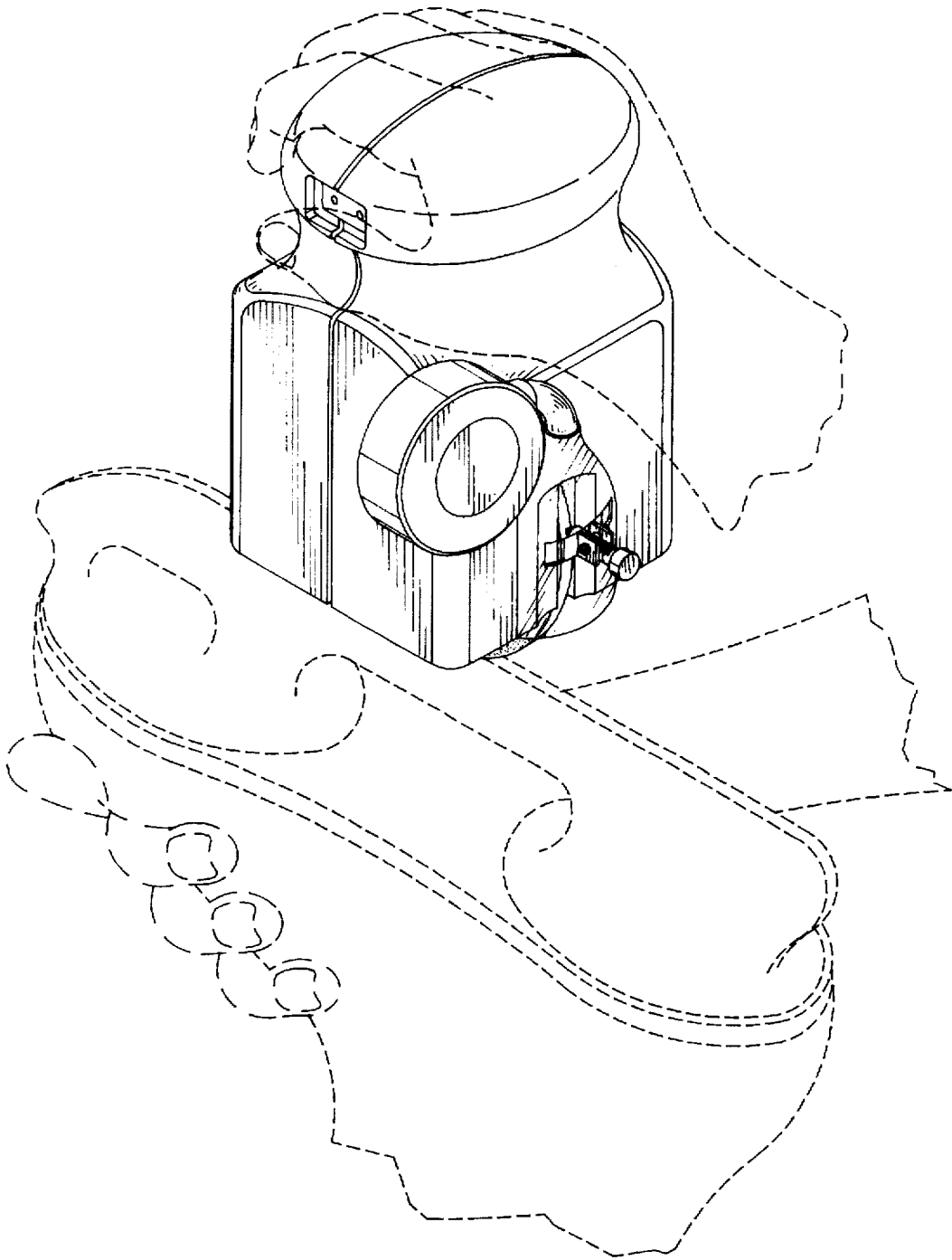


FIG. 9

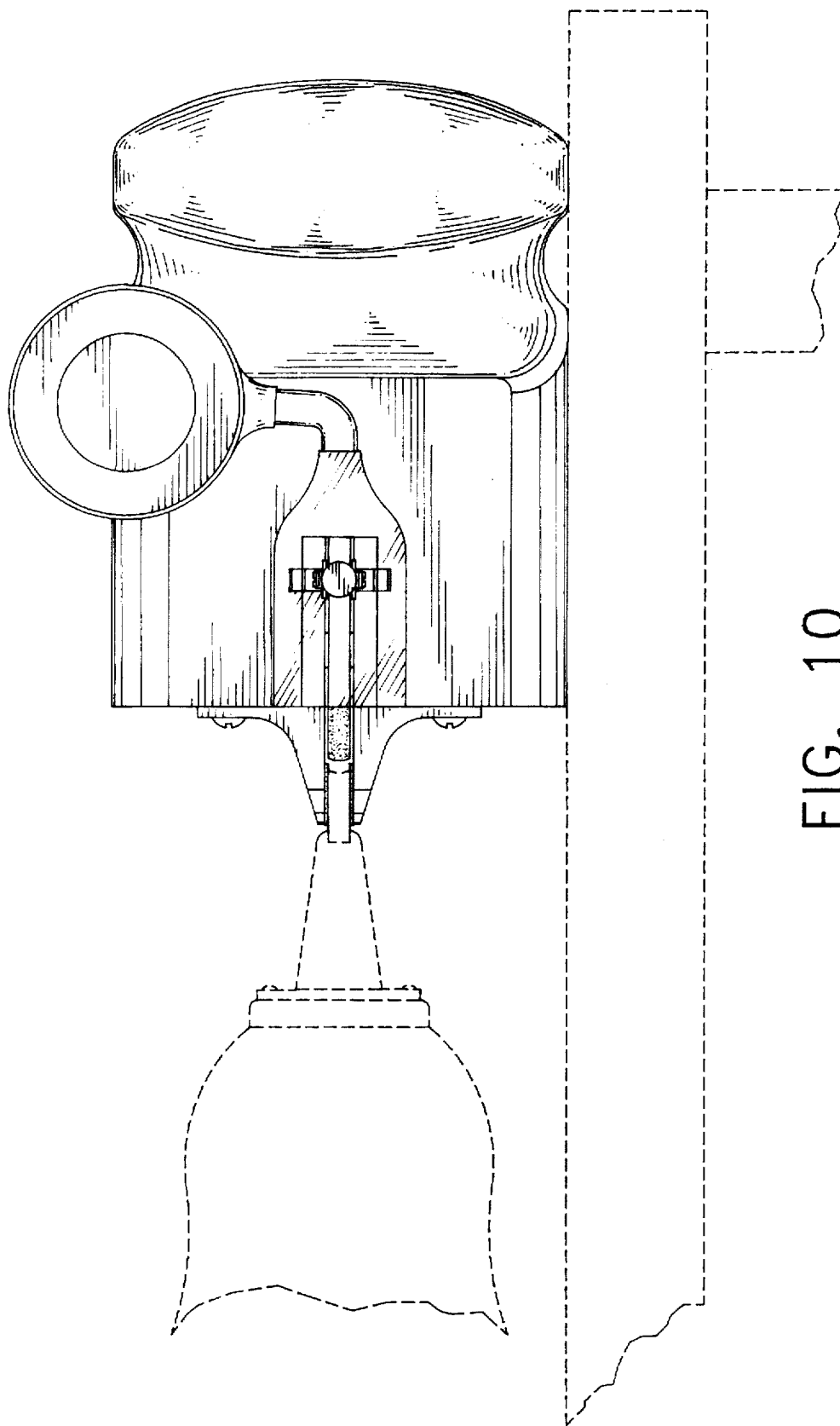


FIG. 10