



US00D994359S

(12) **United States Design Patent**
Bernal

(10) **Patent No.:** **US D994,359 S**

(45) **Date of Patent:** **** Aug. 8, 2023**

(54) **VEHICLE SEAT**

(71) Applicant: **VOLVO CAR CORPORATION,**
Gothenburg (SE)

(72) Inventor: **Juan Pablo Bernal,** Gothenburg (SE)

(73) Assignee: **VOLVO CAR CORPORATION,**
Gothenburg (SE)

(**) Term: **15 Years**

(21) Appl. No.: **29/818,548**

(22) Filed: **Dec. 9, 2021**

(30) **Foreign Application Priority Data**

Jun. 23, 2021 (EM) 008587935-0003

(51) **LOC (14) Cl.** **06-01**

(52) **U.S. Cl.**
USPC **D6/356**

(58) **Field of Classification Search**

USPC D6/334-336, 356, 364, 366, 367, 368,
D6/374, 375, 716, 716.1, 716.4, 716.5
CPC B60N 2/00; B60N 2/015; B60N 2/01575;
B60N 2/64; B60N 2/643; B60N 2/66;
B60N 2/68; B60N 2/682; B60N 2/686;
B60N 2/80; B60N 2/803; B60N 2/42;
B60N 2/4249; B60N 2/2851

See application file for complete search history.

(56) **References Cited**

U.S. PATENT DOCUMENTS

D652,642 S *	1/2012	Etienne	D6/356
D684,392 S *	6/2013	Bose	D6/356
D862,101 S *	10/2019	Song	D6/356
D869,871 S *	12/2019	Hemmelrath	D6/356
D887,154 S *	6/2020	Kumagi	D6/356
D937,591 S *	12/2021	Wu	D6/356
D953,758 S *	6/2022	Kutty	D6/356

* cited by examiner

Primary Examiner — Mimosa De

(74) *Attorney, Agent, or Firm* — Calderon Safran & Cole
PC

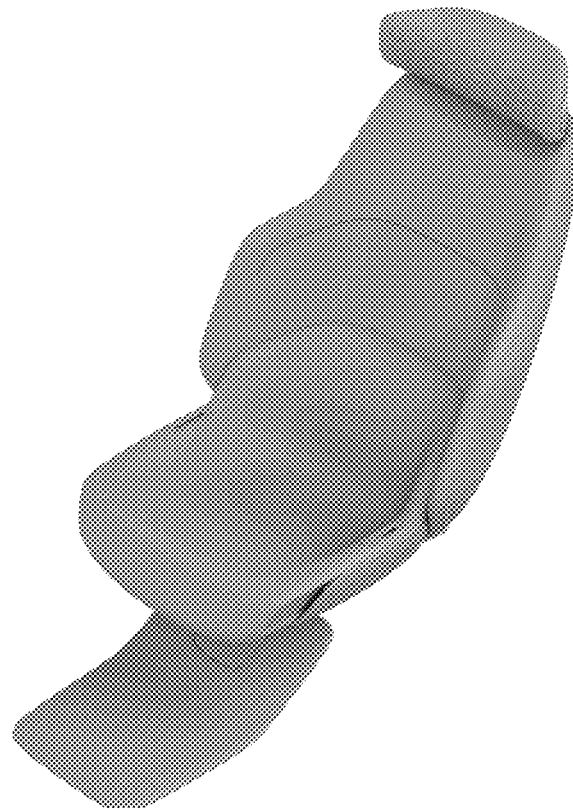
(57) **CLAIM**

The ornamental design for a vehicle seat, as shown.

DESCRIPTION

FIG. 1 is a front view of a vehicle seat showing my new design;
FIG. 2 is a front and left side perspective view thereof;
FIG. 3 is a rear and right side perspective view thereof;
FIG. 4 is a left side view thereof;
FIG. 5 is a right side view thereof;
FIG. 6 is a rear view thereof;
FIG. 7 is a top view thereof; and,
FIG. 8 is a bottom view thereof.

1 Claim, 8 Drawing Sheets



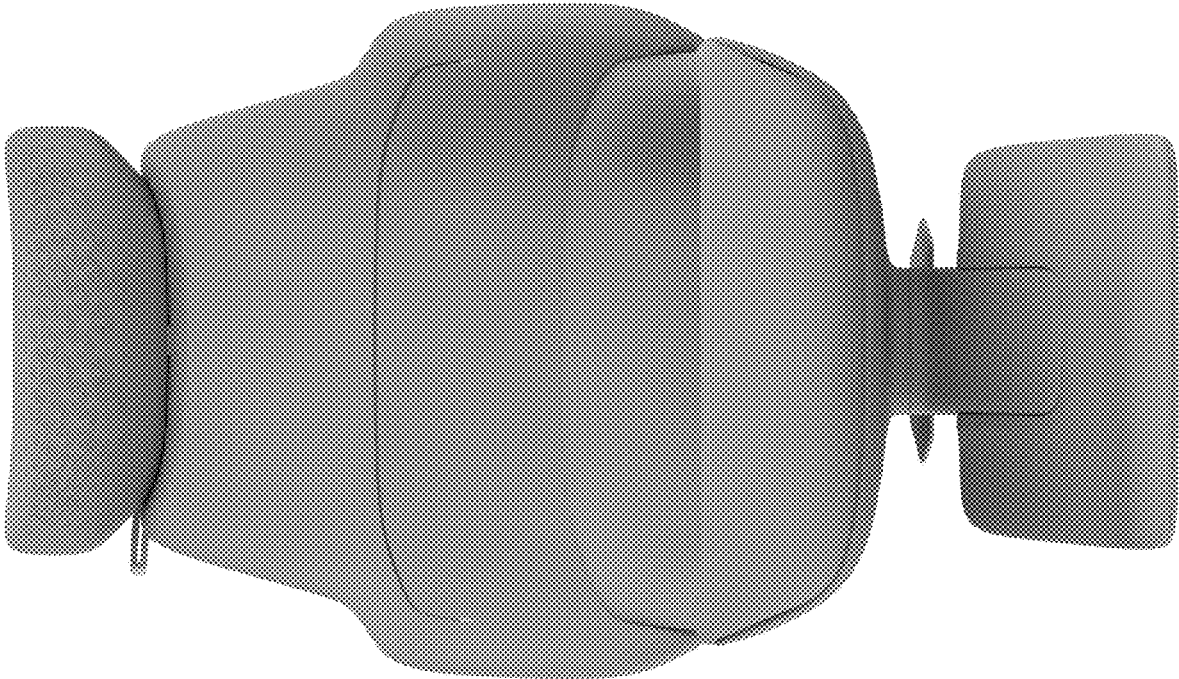


FIG. 1

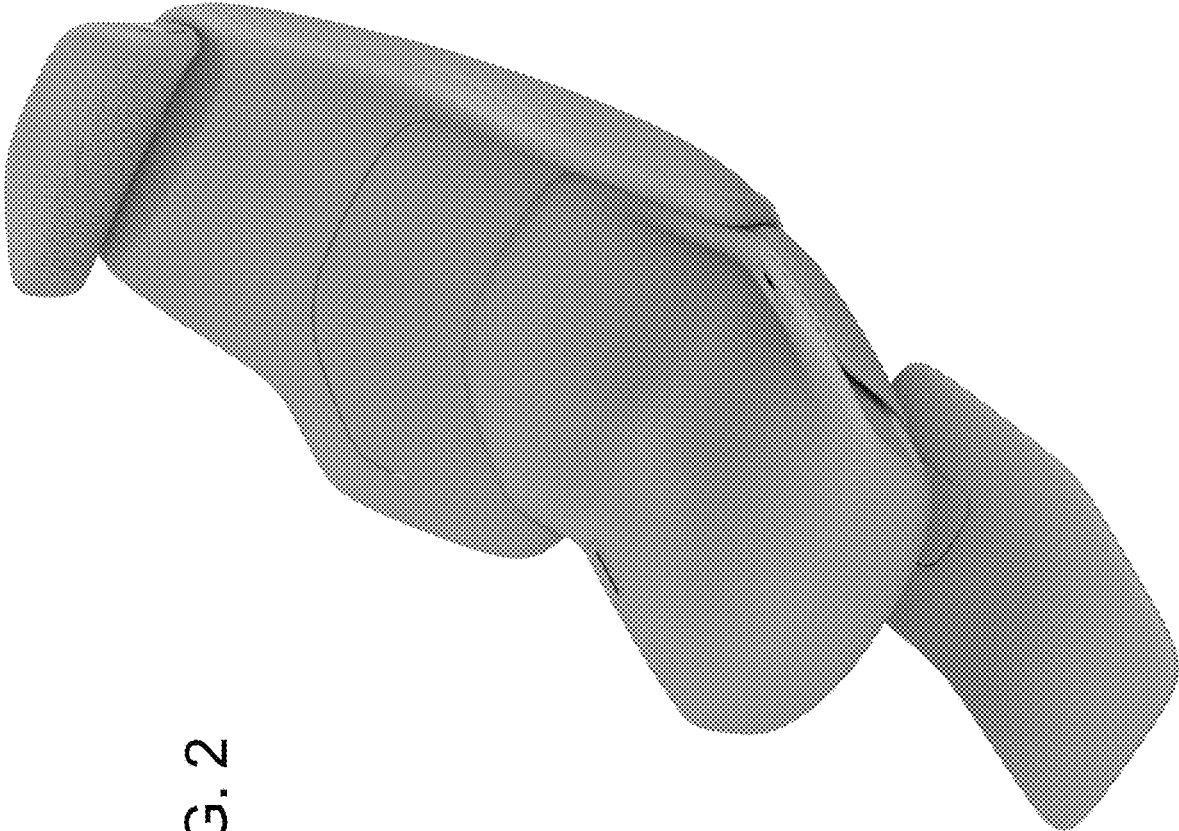
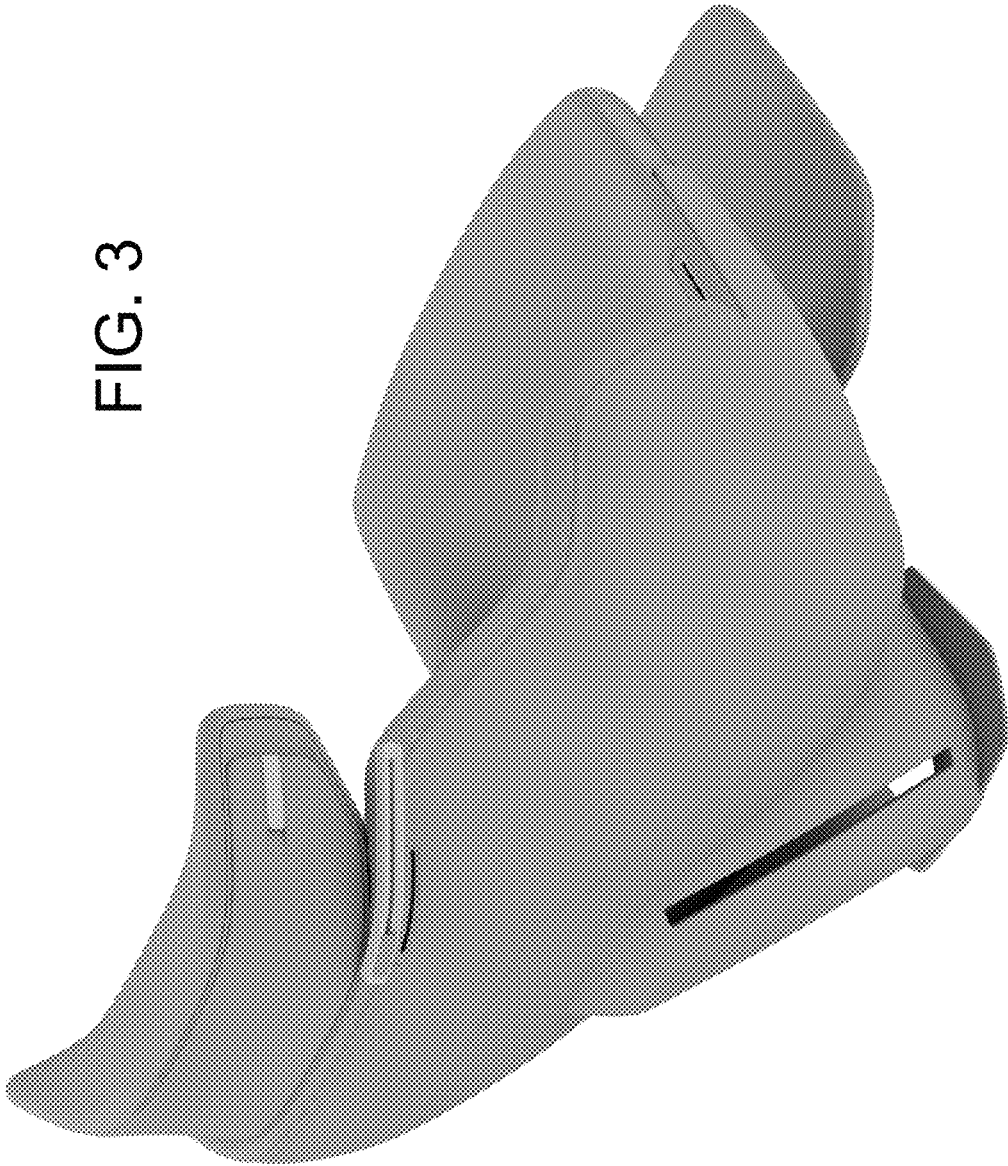


FIG. 2

FIG. 3



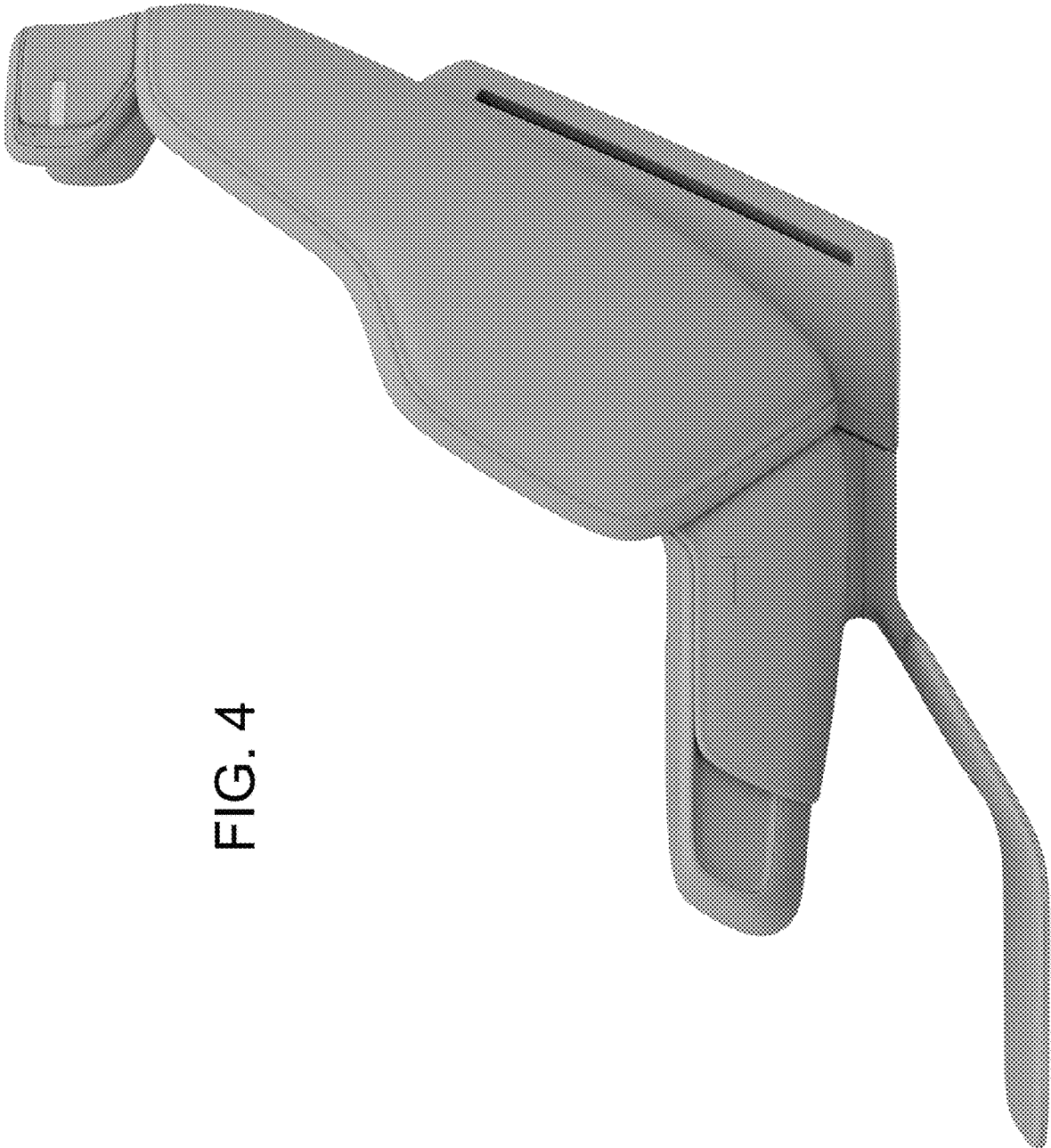
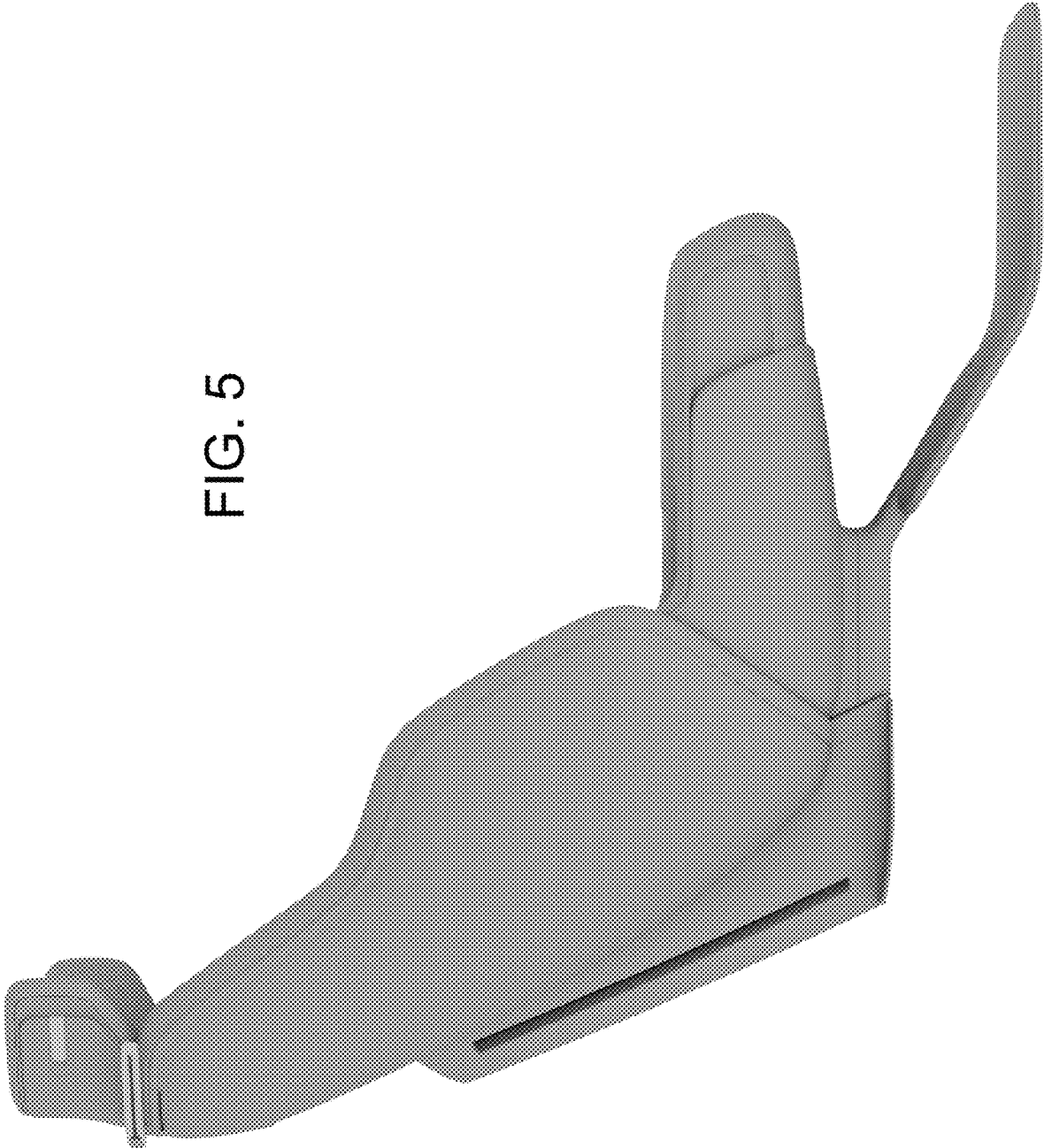


FIG. 4

FIG. 5



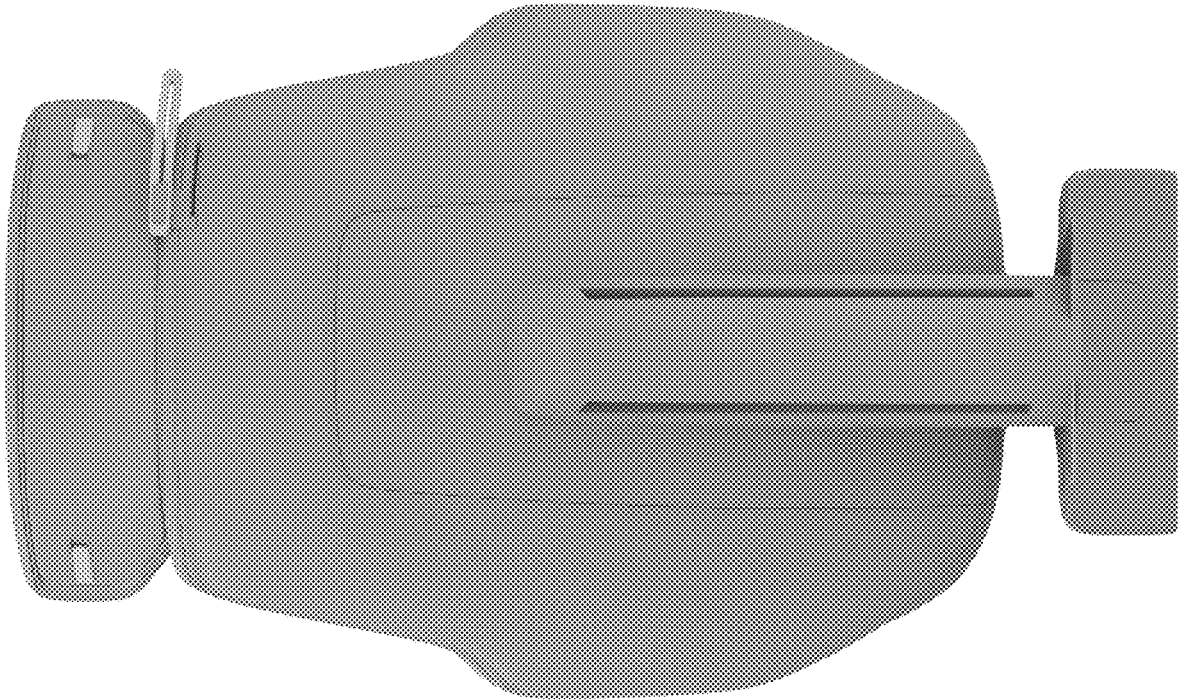


FIG. 6



FIG. 7

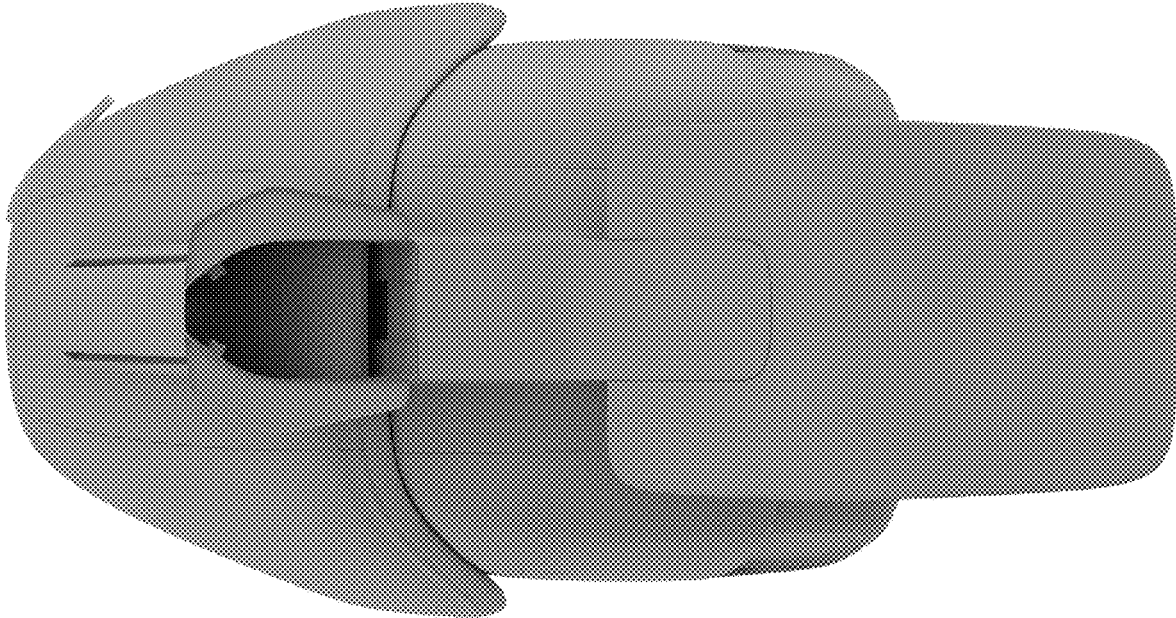


FIG. 8