



US00D990757S

(12) **United States Design Patent**
Zhou

(10) **Patent No.:** **US D990,757 S**

(45) **Date of Patent:** **** Jun. 27, 2023**

(54) **LAWN LIGHT**

FOREIGN PATENT DOCUMENTS

(71) Applicant: **Wenjun Zhou**, Guangdong (CN)

CN 304233167 * 8/2017
CN 304233168 * 8/2017

(72) Inventor: **Wenjun Zhou**, Guangdong (CN)

(Continued)

(**) Term: **15 Years**

OTHER PUBLICATIONS

(21) Appl. No.: **29/773,492**

Halcynie Solar Ground Lights, available in <https://www.amazon.com/>, posted: Sep. 28, 2021 [online], [site visited: Mar. 7, 2023], Internet URL: <https://www.amazon.com/Halcynie-Waterproof-Landscape-Lighting-Driveway/dp/B09HCB326S> (Year: 2021).*

(22) Filed: **Mar. 10, 2021**

(Continued)

(51) **LOC (14) CL.** **26-05**

(52) **U.S. CL.**
USPC **D26/106**

(58) **Field of Classification Search**
USPC D26/24, 67, 68, 69, 70, 91, 93, 104, 106
CPC F21S 8/03; F21S 8/033; F21S 8/036; F21S 8/037; F21S 9/022; F21S 9/024; F21S 9/03; F21S 9/035; F21S 9/037; F21W 2131/107; G08B 13/193

Primary Examiner — Sheryl Lane
Assistant Examiner — Alex T. Milbrath

See application file for complete search history.

(57) **CLAIM**

The ornamental design for a lawn light, as shown and described.

DESCRIPTION

(56) **References Cited**

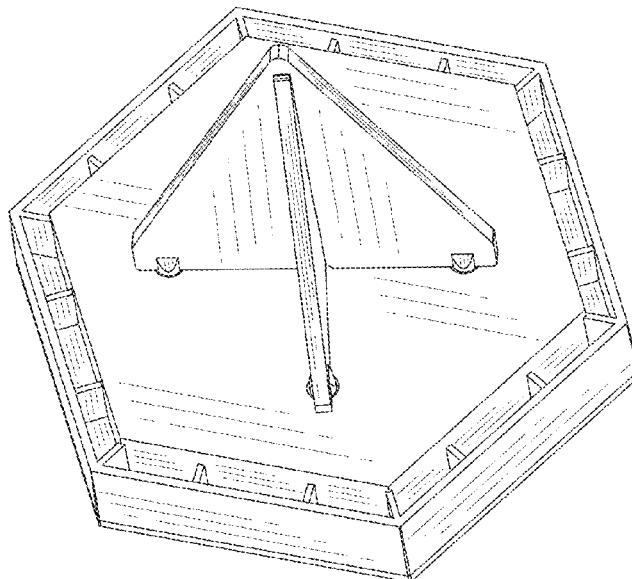
U.S. PATENT DOCUMENTS

D574,104 S *	7/2008	Sanoner	D26/67
D605,325 S *	12/2009	Sanoner	D26/68
D616,129 S *	5/2010	Sanoner	D26/67
D822,253 S *	7/2018	Wu	D26/68
D841,873 S *	2/2019	Hollinger	D26/118
D841,879 S *	2/2019	Hollinger	D26/142
D864,452 S *	10/2019	Wei	D26/67
D866,839 S *	11/2019	Yan	D26/67
D881,436 S *	4/2020	Yan	D26/67
D882,144 S *	4/2020	Zhu	D26/67
D885,631 S *	5/2020	Li	D26/67
D905,313 S *	12/2020	Liao	D26/67
D905,887 S *	12/2020	Li	D26/67
D905,888 S *	12/2020	Li	D26/67
D925,091 S *	7/2021	Zhong	D26/67
D930,216 S *	9/2021	He	D26/67

(Continued)

FIG. 1 is a perspective view of a lawn light showing my new design;
FIG. 2 is a front elevation view thereof;
FIG. 3 is a rear elevation view thereof;
FIG. 4 is a left side elevation view thereof;
FIG. 5 is a right side elevation view thereof;
FIG. 6 is a top plan view thereof;
FIG. 7 is a bottom plan view thereof;
FIG. 8 is a bottom side perspective view thereof;
FIG. 9 is a perspective view thereof, showing the lawn light in a separated states;
FIG. 10 is a top view thereof, showing the lawn light in a combined state of use; and,
FIG. 11 is a bottom view thereof, showing the lawn light in a combined state of use.
The broken lines in the drawings depict portions of the lawn light that form no part of the claimed design.

1 Claim, 11 Drawing Sheets



(56)

References Cited

U.S. PATENT DOCUMENTS

D945,672 S * 3/2022 Tsai D26/67
D972,763 S * 12/2022 Yin D26/67

FOREIGN PATENT DOCUMENTS

CN 304526238 * 3/2018
KR 300867123.0000 * 8/2016

OTHER PUBLICATIONS

Tac Tec Solar Ground Lights Outdoor, available in <https://www.amazon.com/>, posted: Jun. 30, 2022 [online], [site visited: Mar. 7, 2023], Internet URL: [https://www.amazon.com/dp/B09ZXX4HSV/ref=sspa_dk_detail_5?pd_rd_i=B09ZXX4HSV&pd_rd_w=OiqOh&content-id=amzn1.sym.56b6d1e1-8781 . . .](https://www.amazon.com/dp/B09ZXX4HSV/ref=sspa_dk_detail_5?pd_rd_i=B09ZXX4HSV&pd_rd_w=OiqOh&content-id=amzn1.sym.56b6d1e1-8781...) (Year: 2022).*

Liwarace Solar In-Ground Light, available in <https://www.amazon.com/>, posted: Jan. 13, 2021 [online], [site visited: Mar. 7, 2023], Internet URL: <https://www.amazon.com/Liwarace-Hexagonal-Waterproof-Placement-Courtyard/dp/B08SW6DTRV?th=1> (Year: 2021).*

* cited by examiner

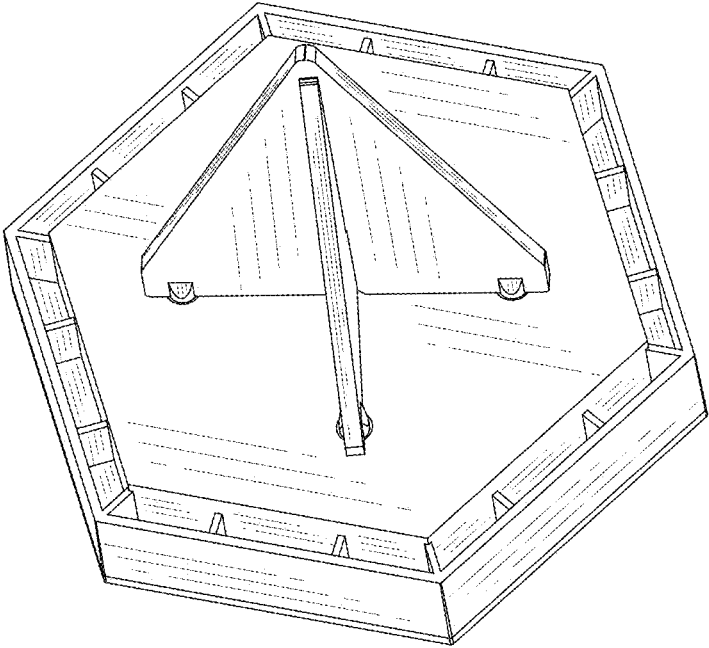


FIG. 1

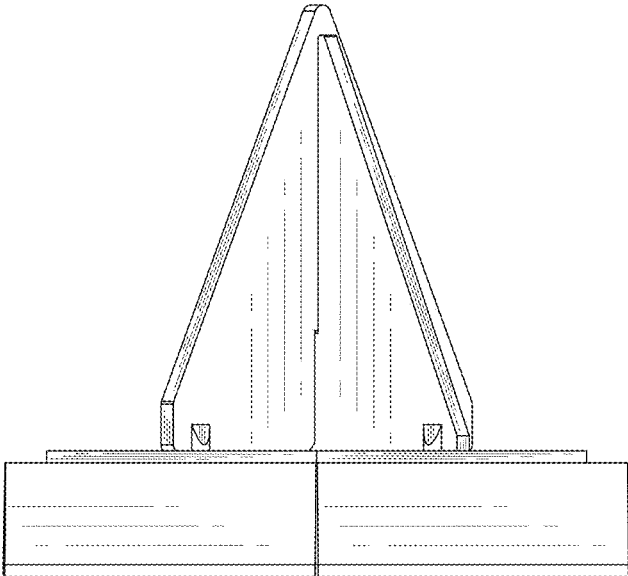


FIG. 2

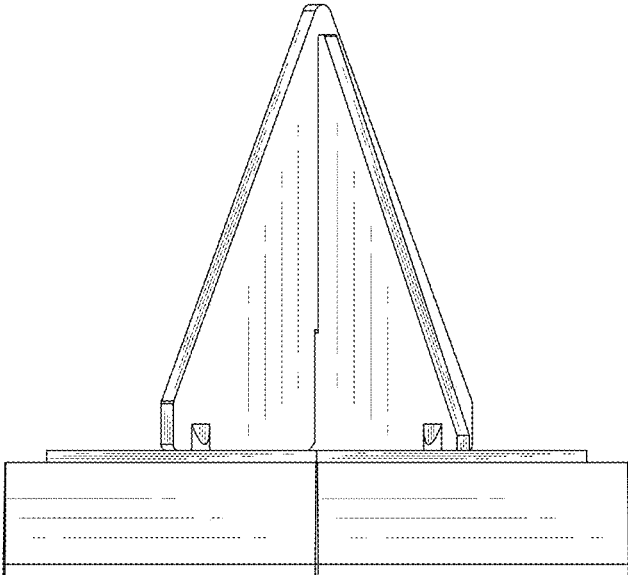


FIG. 3

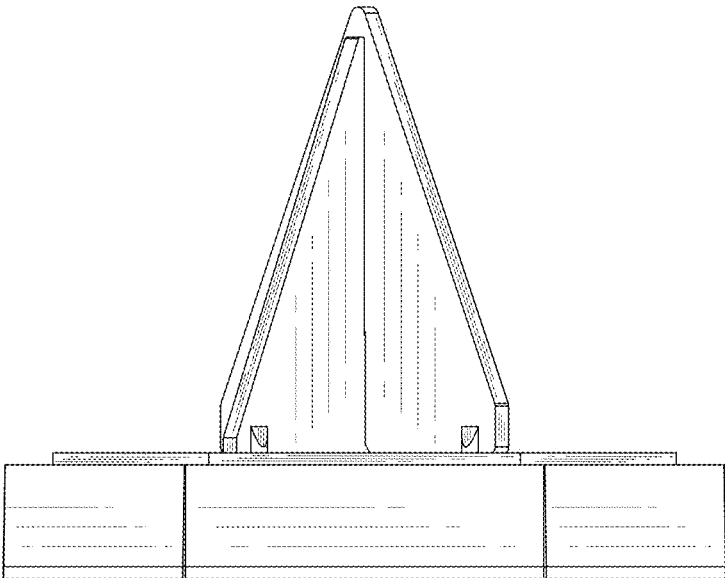


FIG. 4

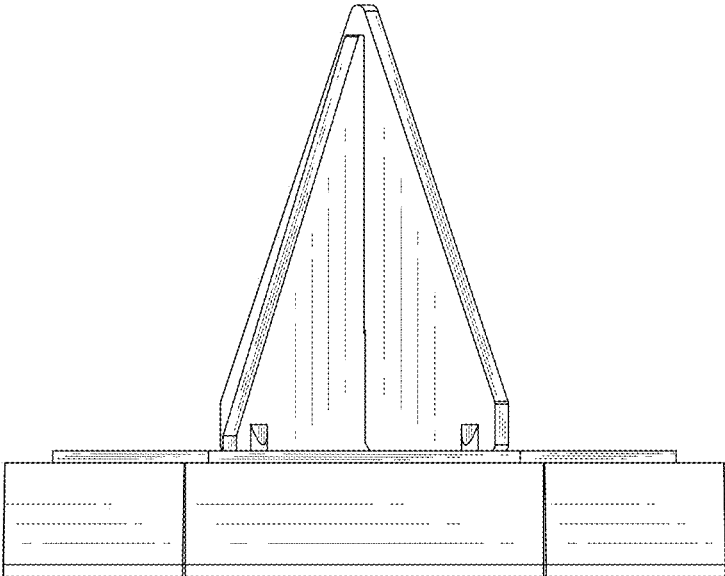


FIG. 5

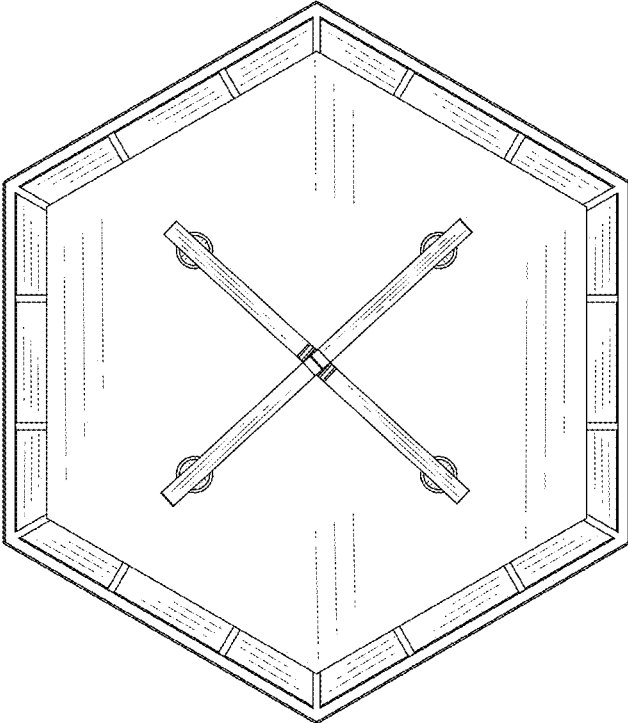


FIG. 6

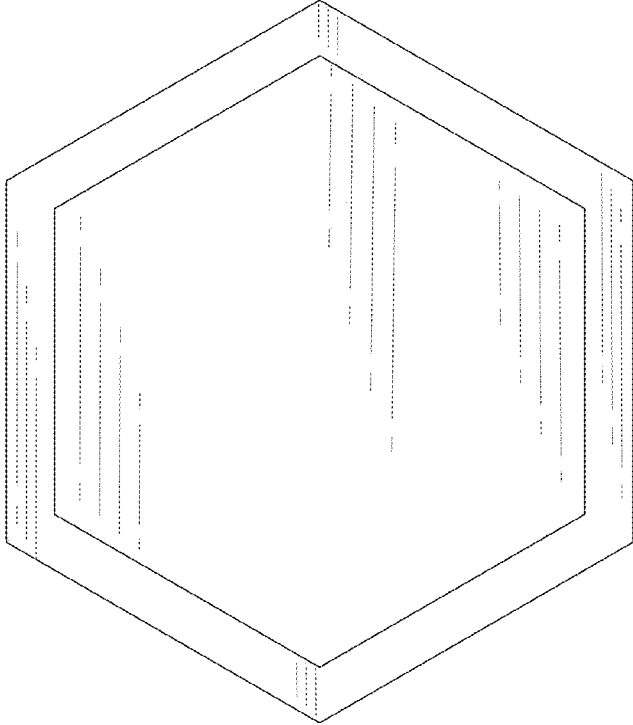


FIG. 7

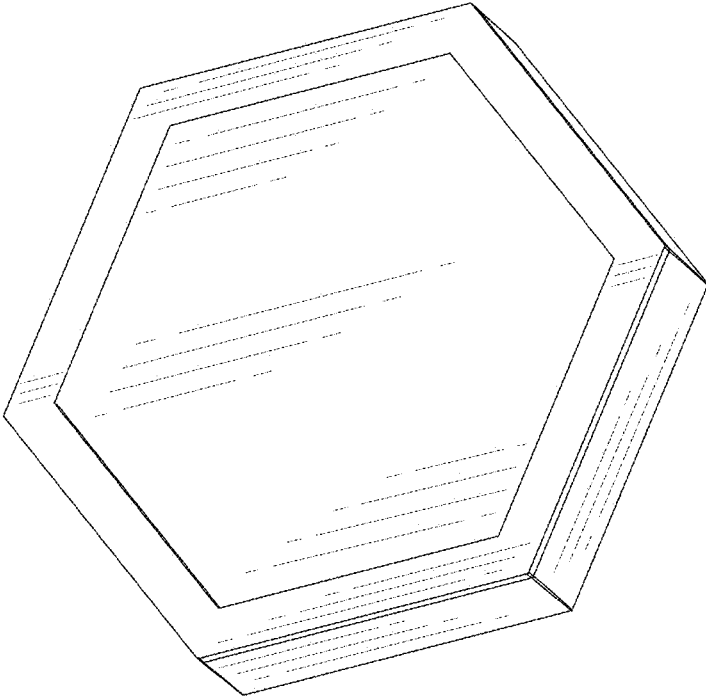


FIG. 8

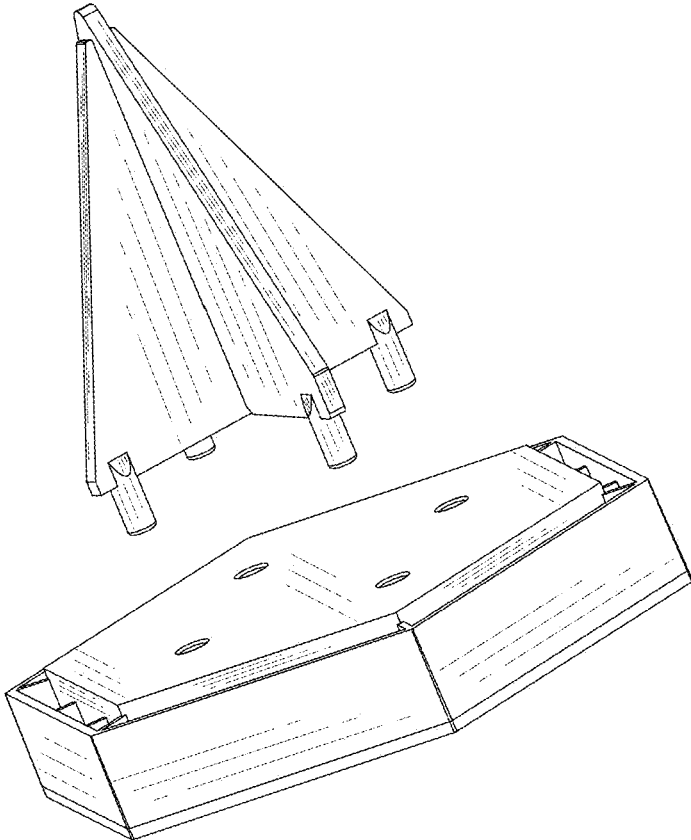


FIG. 9

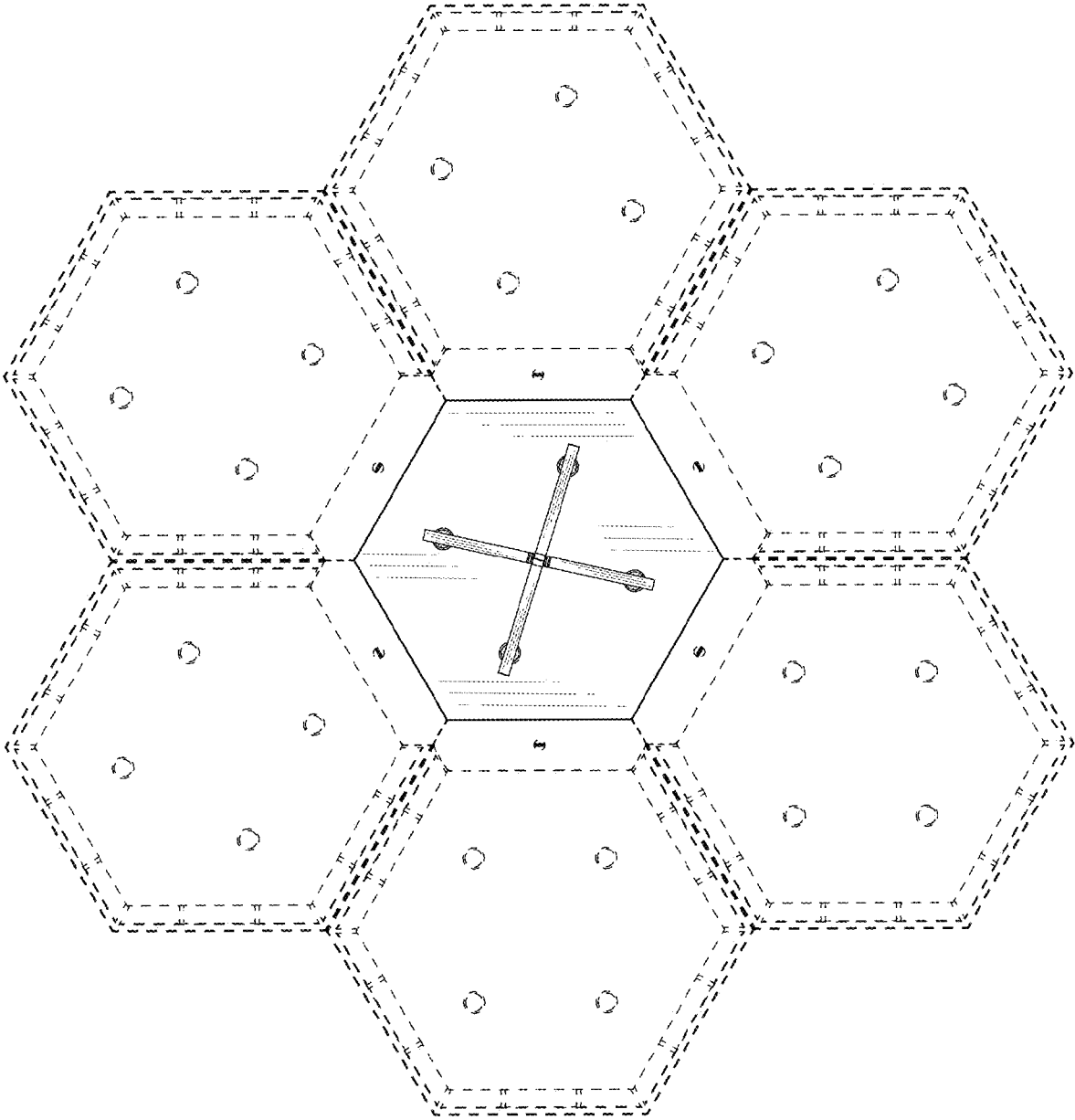


FIG. 10

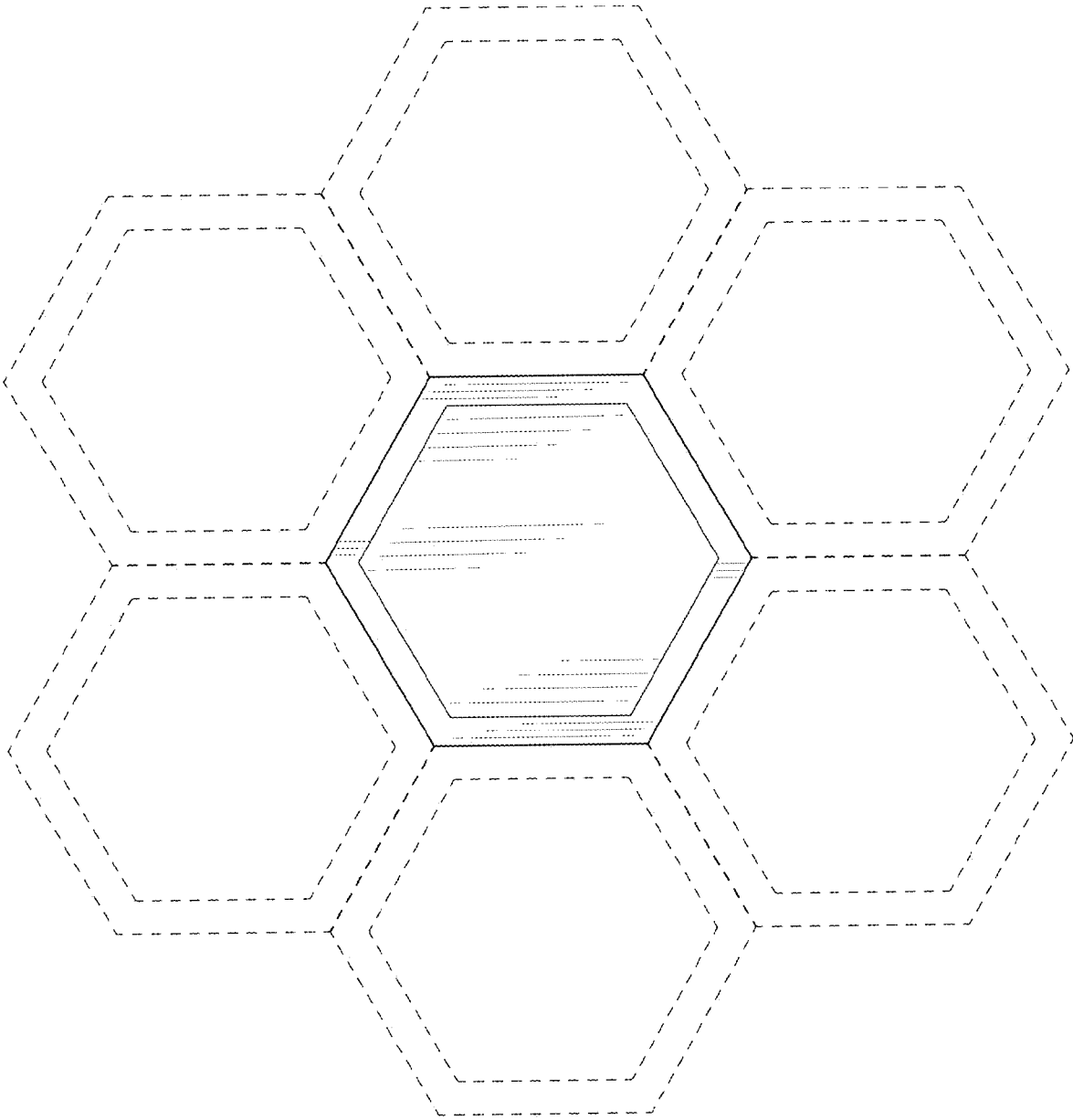


FIG. 11