



US00D769822S

(12) **United States Design Patent**
Reynolds

(10) **Patent No.:** **US D769,822 S**

(45) **Date of Patent:** **** Oct. 25, 2016**

(54) **FOUR WIRE ELECTRICAL CONNECTOR**

(71) Applicant: **Carver Scientific, Inc.**, Baton Rouge, LA (US)

(72) Inventor: **Sean W. Reynolds**, Baton Rouge, LA (US)

(73) Assignee: **Carver Scientific, Inc.**, Baton Rouge, LA (US)

(**) Term: **14 Years**

(21) Appl. No.: **29/509,115**

(22) Filed: **Nov. 14, 2014**

(51) **LOC (10) Cl.** **13-03**

(52) **U.S. Cl.**

USPC **D13/146**

(58) **Field of Classification Search**

USPC D13/133, 146, 147, 154, 184, 199
CPC H01R 4/26; H01R 12/50; H01R 12/53;
H01R 12/55; H01R 12/592; H01R 12/616;
H01R 12/63; H01R 12/70; H01R 12/7005;
H01R 12/774; H01R 12/777; H01R 12/81;
H01R 13/506; H01R 13/05; H01R 13/20;
H01R 13/2464; H01R 13/2492; H01R 13/28;
H01R 13/41; H01R 13/434; H01R 13/64;
H01R 24/30; H01R 24/38; H01R 24/56;
H01R 24/60; H01R 24/86; H01R 33/20;
H01R 33/9453

See application file for complete search history.

(56) **References Cited**

U.S. PATENT DOCUMENTS

- 3,792,284 A * 2/1974 Kaelin G02B 6/4295
250/227.24
- D420,644 S * 2/2000 Nemser D13/146
- D528,507 S * 9/2006 Brown D13/133
- D530,670 S * 10/2006 Brown D13/133
- D561,691 S * 2/2008 Holliday D13/133

OTHER PUBLICATIONS

Hubbell Catalog, "Section G: Pin and Sleeve Devices/Mechanical Interlocks," Hubbell Wiring Device-Kellems, accessed from <http://www.hubbell-wiring.com/press/catalog/g.pdf>, 40 pages, accessed Apr. 13, 2015.

* cited by examiner

Primary Examiner — Daniel Bui

(74) *Attorney, Agent, or Firm* — Klarquist Sparkman, LLP

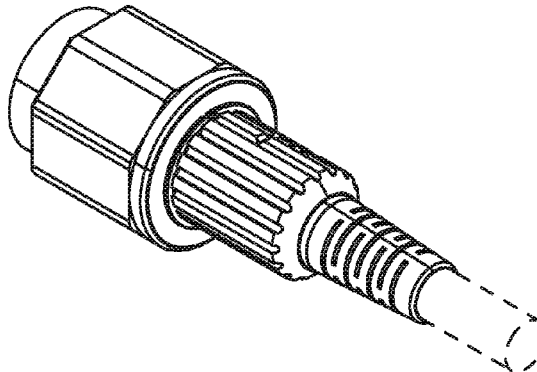
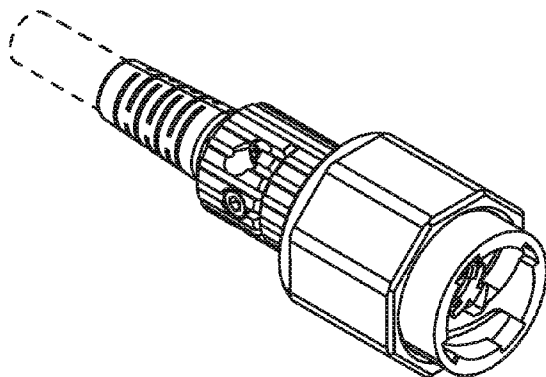
(57) **CLAIM**

The ornamental design for a four wire electrical connector, as shown and described.

DESCRIPTION

FIG. 1 is a first top plan view of a four wire electrical connector showing my new design; FIG. 2 is a second top plan view thereof, on a larger scale; FIG. 3 is a first side view thereof; FIG. 4 is a front view thereof; FIG. 5 is a rear view thereof; FIG. 6 is a bottom view thereof; FIG. 7 is a second side view thereof; FIG. 8 is a first perspective view thereof; FIG. 9 is a second perspective view thereof; FIG. 10 is a third perspective view thereof; FIG. 11 is a fourth perspective view thereof; FIG. 12 is a fifth perspective view thereof; FIG. 13 is a sixth perspective view thereof; FIG. 14 is a seventh perspective view thereof; and, FIG. 15 is an eighth perspective view thereof. All broken lines showing are included for the purpose of illustrating environment and form no part of the claimed design.

1 Claim, 15 Drawing Sheets



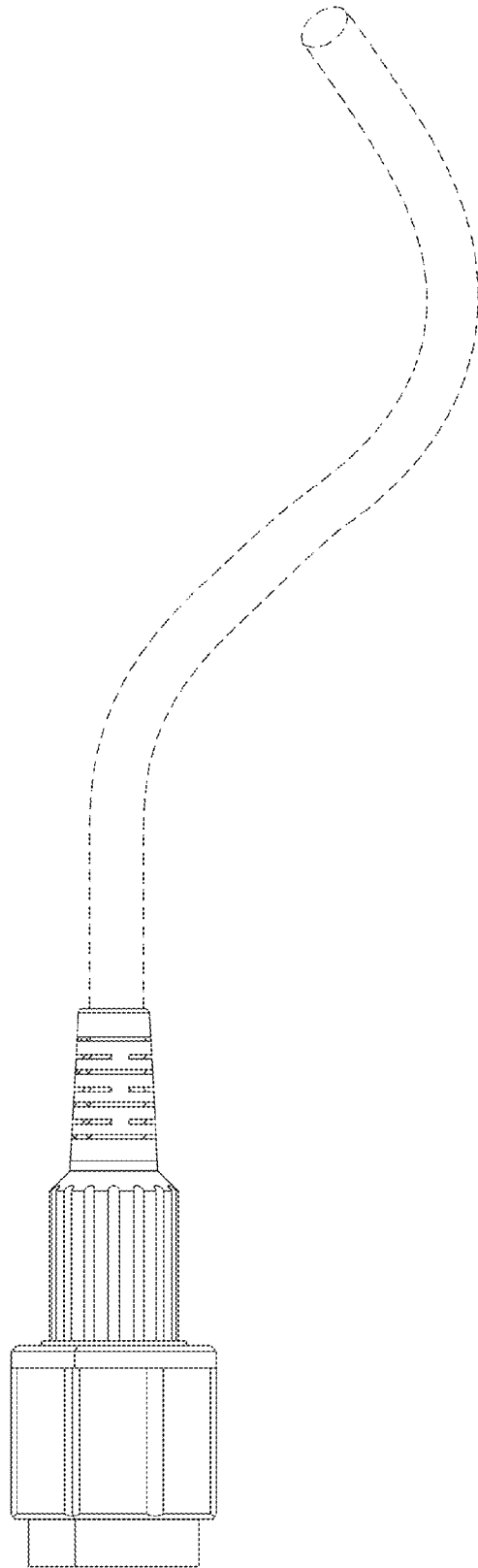


FIG. 1

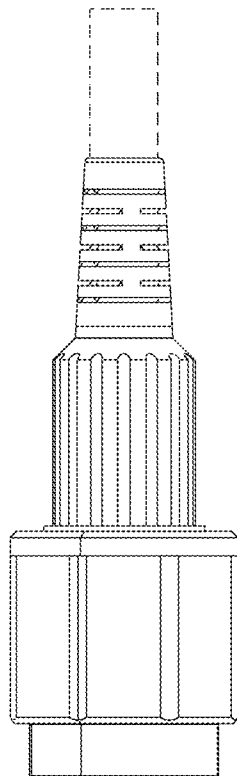


FIG. 2

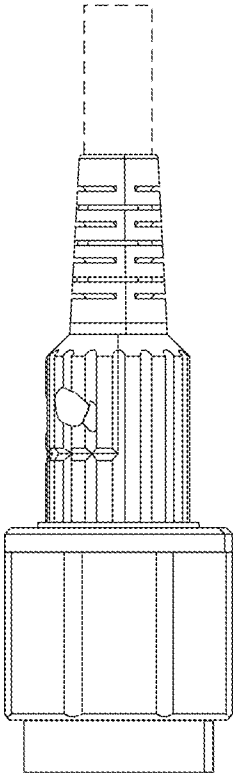


FIG. 3

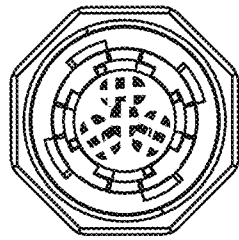


FIG. 4

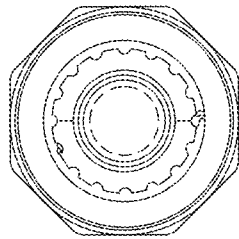


FIG. 5

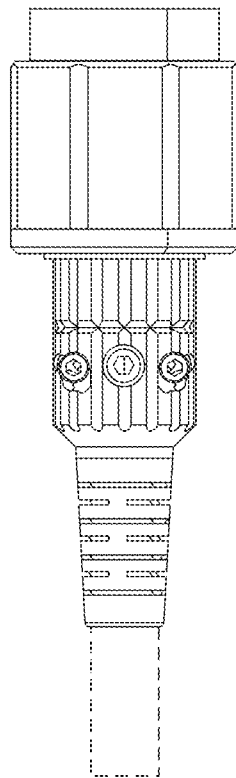


FIG. 6

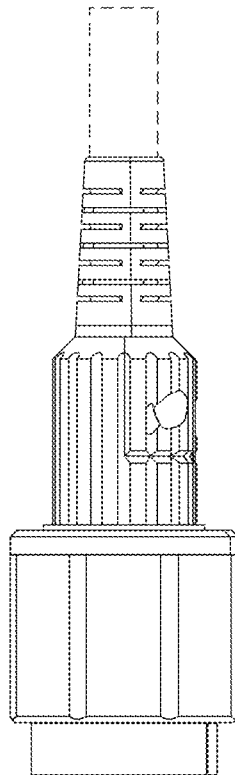


FIG. 7

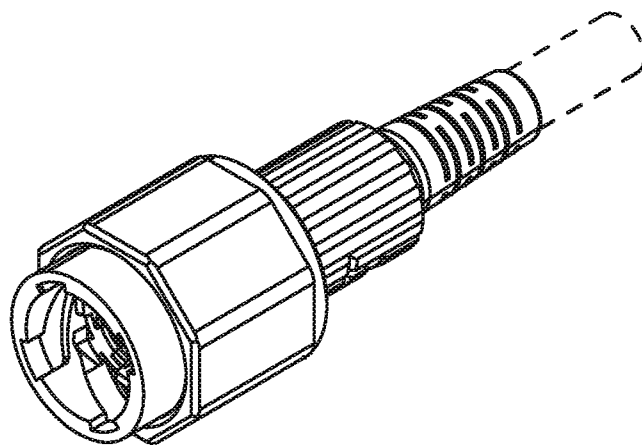


FIG. 8

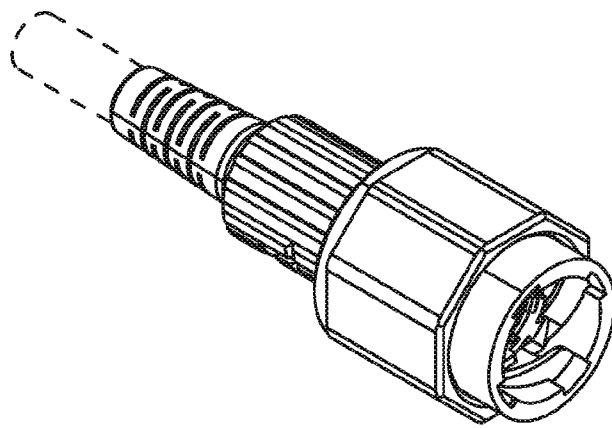


FIG. 9

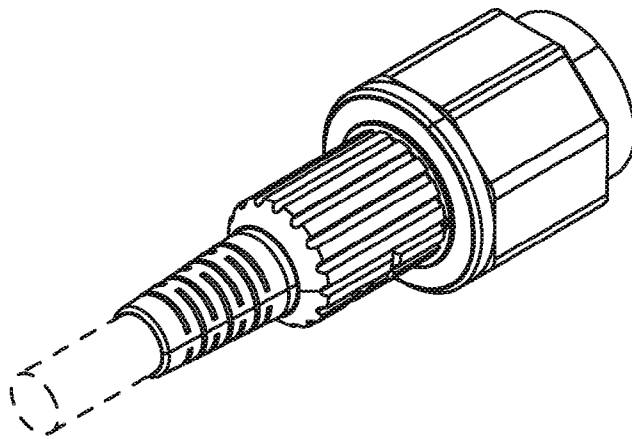


FIG. 10

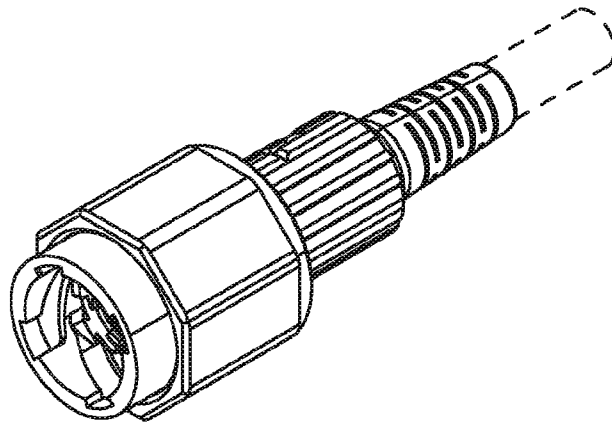


FIG. 11

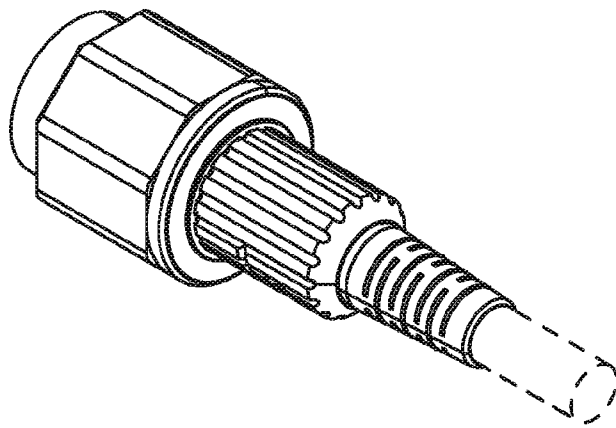


FIG. 12

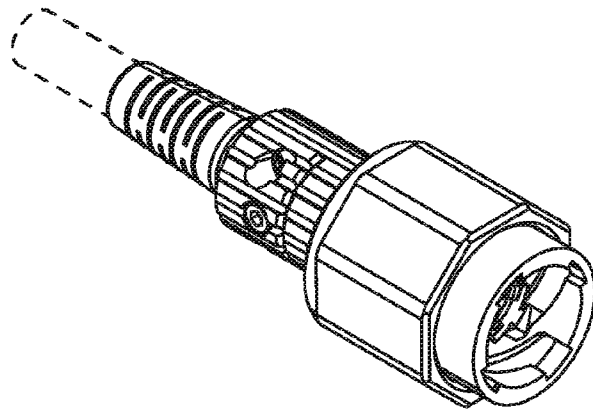


FIG. 13

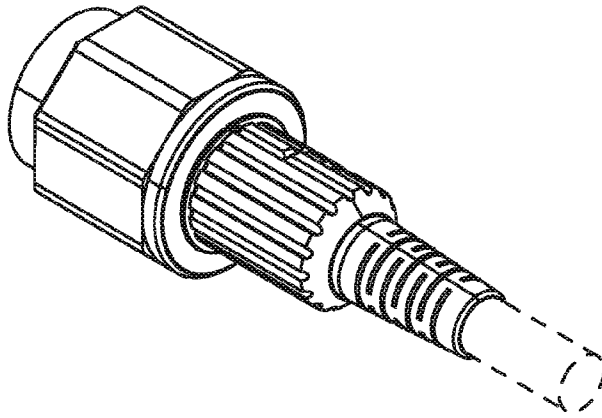


FIG. 14

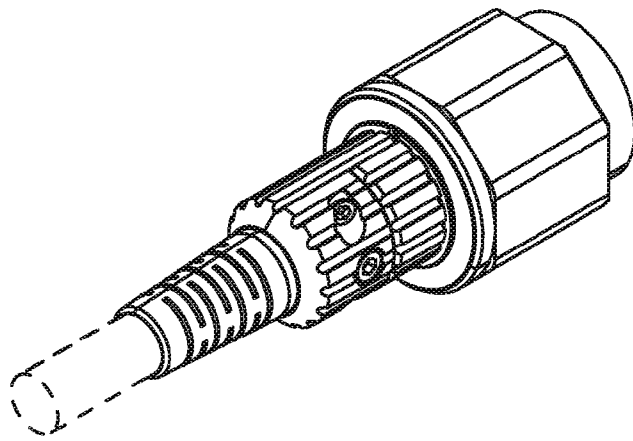


FIG. 15