

(19) World Intellectual Property Organization
International Bureau



(43) International Publication Date
3 April 2003 (03.04.2003)

PCT

(10) International Publication Number
WO 03/027970 A3

(51) International Patent Classification⁷: G07F 17/32

(21) International Application Number: PCT/US02/31061

(22) International Filing Date:
27 September 2002 (27.09.2002)

(25) Filing Language: English

(26) Publication Language: English

(30) Priority Data:
09/967,326 28 September 2001 (28.09.2001) US

(71) Applicant: IGT [US/US]; 9295 Prototype Way, Reno, NV 89510-0580 (US).

(72) Inventor: WELLS, William, R.; 4450 Rio Encantado Lane, Reno, NV 89502 (US).

(74) Agent: OLYNICK, David, P.; Beyer Weaver & Thomas, LLP, P.O. Box 778, Berkeley, CA 94704-0778 (US).

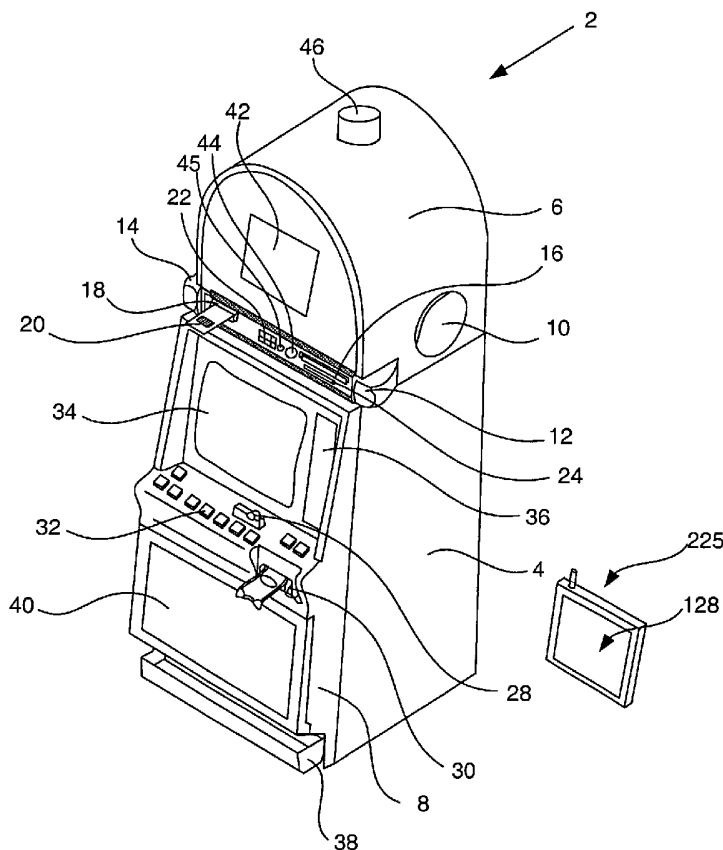
(81) Designated States (*national*): AE, AG, AL, AM, AT, AU, AZ, BA, BB, BG, BR, BY, BZ, CA, CH, CN, CO, CR, CU, CZ, DE, DK, DM, DZ, EC, EE, ES, FI, GB, GD, GE, GH, GM, HR, HU, ID, IL, IN, IS, JP, KE, KG, KP, KR, KZ, LC, LK, LR, LS, LT, LU, LV, MA, MD, MG, MK, MN, MW, MX, MZ, NO, NZ, OM, PH, PL, PT, RO, RU, SD, SE, SG, SI, SK, SL, TJ, TM, TN, TR, TT, TZ, UA, UG, UZ, VC, VN, YU, ZA, ZM, ZW.

(84) Designated States (*regional*): ARIPO patent (GH, GM, KE, LS, MW, MZ, SD, SL, SZ, TZ, UG, ZM, ZW), Eurasian patent (AM, AZ, BY, KG, KZ, MD, RU, TJ, TM), European patent (AT, BE, BG, CH, CY, CZ, DE, DK, EE, ES, FI, FR, GB, GR, IE, IT, LU, MC, NL, PT, SE, SK, TR), OAPI patent (BF, BJ, CF, CG, CI, CM, GA, GN, GQ, GW, ML, MR, NE, SN, TD, TG).

Published:
— with international search report

[Continued on next page]

(54) Title: WIRELESS GAMING MACHINE



(57) Abstract: A disclosed gaming machine provides methods and apparatus for operating a wireless game player that presents a game of chance executed on a gaming machine in communication with the wireless game player. In one embodiment, the wireless game player is a hand-held mobile device, electronically linked to a licensed gaming machine via a wireless connection. All random number generation (RNG) events, game outcomes, meter information, game related information, and all cash transactions are maintained in the licensed (controlled) gaming machine and not the wireless game player. The wireless game player may be used anywhere within the legal areas of the casino and it has the capability of identifying who is using it. For example, a biometric input device, such as a finger print reader may be used on the wireless game player to identify the player. Thus, the issue of under-age or excluded players is addressed.



WO 03/027970 A3



(88) Date of publication of the international search report:

18 December 2003

For two-letter codes and other abbreviations, refer to the "Guidance Notes on Codes and Abbreviations" appearing at the beginning of each regular issue of the PCT Gazette.

INTERNATIONAL SEARCH REPORT

International Application No

PCT/US 02/31061

A. CLASSIFICATION OF SUBJECT MATTER
IPC 7 G07F17/32

According to International Patent Classification (IPC) or to both national classification and IPC

B. FIELDS SEARCHED

Minimum documentation searched (classification system followed by classification symbols)
IPC 7 G07F

Documentation searched other than minimum documentation to the extent that such documents are included in the fields searched

Electronic data base consulted during the international search (name of data base and, where practical, search terms used)

EPO-Internal, PAJ, WPI Data

C. DOCUMENTS CONSIDERED TO BE RELEVANT

Category °	Citation of document, with indication, where appropriate, of the relevant passages	Relevant to claim No.
X	WO 01 48712 A (NOKIA CORP ; NOKIA INC (US)) 5 July 2001 (2001-07-05)	1,5-14, 16, 18-20, 24-30, 32-37, 39-69, 72-91, 94-100
Y	page 4, line 4 -page 5, line 21 figures 1,4	2,4,15, 17, 21-23, 31,38, 70,71, 92,93

Further documents are listed in the continuation of box C.

Patent family members are listed in annex.

° Special categories of cited documents :

- "A" document defining the general state of the art which is not considered to be of particular relevance
- "E" earlier document but published on or after the international filing date
- "L" document which may throw doubts on priority claim(s) or which is cited to establish the publication date of another citation or other special reason (as specified)
- "O" document referring to an oral disclosure, use, exhibition or other means
- "P" document published prior to the international filing date but later than the priority date claimed

- "T" later document published after the international filing date or priority date and not in conflict with the application but cited to understand the principle or theory underlying the invention
- "X" document of particular relevance; the claimed invention cannot be considered novel or cannot be considered to involve an inventive step when the document is taken alone
- "Y" document of particular relevance; the claimed invention cannot be considered to involve an inventive step when the document is combined with one or more other such documents, such combination being obvious to a person skilled in the art.
- "&" document member of the same patent family

Date of the actual completion of the international search

10 September 2003

Date of mailing of the international search report

23/09/2003

Name and mailing address of the ISA

European Patent Office, P.B. 5818 Patentlaan 2
NL - 2280 HV Rijswijk
Tel. (+31-70) 340-2040, Tx. 31 651 epo nl,
Fax: (+31-70) 340-3016

Authorized officer

Lavin Liermo, J

INTERNATIONAL SEARCH REPORT

 International Application No
 PCT/US 02/31061

C.(Continuation) DOCUMENTS CONSIDERED TO BE RELEVANT		
Category °	Citation of document, with indication, where appropriate, of the relevant passages	Relevant to claim No.
X	WO 01 03786 A (GTECH CORP) 18 January 2001 (2001-01-18) the whole document ---	1,30,48, 64,83
X	US 5 048 831 A (SIDES JIM T) 17 September 1991 (1991-09-17) column 4, line 46 -column 8, line 28 ---	1,30,48, 64,83
X	EP 0 024 184 A (BELL FRUIT MFG CO LTD) 25 February 1981 (1981-02-25) figures 1,2 ---	1,30,48, 64,83
X	US 5 618 045 A (KAGAN MICHAEL ET AL) 8 April 1997 (1997-04-08) abstract column 1, line 44 -column 2, line 20 column 3, line 22 - line 53 ---	1,30,48, 64,83
Y	WO 98 58509 A (BOUQUET HANSPETER ;RITTER RUDOLF (CH); EIDGENOESS PTT (CH); HEUTSC) 23 December 1998 (1998-12-23) abstract; claims 1,2 ---	2,4
Y	WO 01 00291 A (GAMESCAPE INC) 4 January 2001 (2001-01-04) page 2, line 24 -page 3, line 12 page 6, line 36 -page 7, line 19; figure 2 ---	15,21, 38,70, 71,92,93
P,X	WO 01 76710 A (INTERNAT GAME TECHNOLOGY) 18 October 2001 (2001-10-18) figures 2,3 ---	1
Y	GB 2 284 913 A (BUSYBODY SYSTEMS LIMITED) 21 June 1995 (1995-06-21) page 6, line 19 -page 7, line 26; figures 1-3 ---	31 76
A	EP 0 924 657 A (TRW INC) 23 June 1999 (1999-06-23) abstract ---	22,23
Y	WO 01 01379 A (MURAKAMI HIDEAKI) 4 January 2001 (2001-01-04) abstract ---	17
A	PATENT ABSTRACTS OF JAPAN vol. 2000, no. 22, 9 March 2001 (2001-03-09) & JP 2001 146058 A (SATO CORP), 29 May 2001 (2001-05-29) abstract ---	2,4
	-/--	

INTERNATIONAL SEARCH REPORT

International Application No
PCT/US 02/31061

C.(Continuation) DOCUMENTS CONSIDERED TO BE RELEVANT		
Category °	Citation of document, with indication, where appropriate, of the relevant passages	Relevant to claim No.
A	EP 0 744 786 A (INT GAME TECH) 27 November 1996 (1996-11-27) abstract figures 1,2 -----	47

INTERNATIONAL SEARCH REPORT

Information on patent family members

International Application No

PCT/US 02/31061

Patent document cited in search report		Publication date	Patent family member(s)	Publication date
WO 0148712	A	05-07-2001	AU 2018501 A	09-07-2001
			EP 1242982 A1	25-09-2002
			WO 0148712 A1	05-07-2001
			JP 2003518677 T	10-06-2003
			US 2001039204 A1	08-11-2001
WO 0103786	A	18-01-2001	AU 6078800 A	30-01-2001
			WO 0103786 A1	18-01-2001
US 5048831	A	17-09-1991	NONE	
EP 0024184	A	25-02-1981	AT 5946 T	15-02-1984
			AU 536768 B2	24-05-1984
			AU 6141180 A	19-02-1981
			DE 3066283 D1	01-03-1984
			EP 0024184 A2	25-02-1981
			ES 8301116 A1	16-02-1983
			GB 2057174 A , B	25-03-1981
			IE 49864 B1	25-12-1985
			JP 56076970 A	24-06-1981
US 5618045	A	08-04-1997	NONE	
WO 9858509	A	23-12-1998	WO 9858509 A1	23-12-1998
			AT 215291 T	15-04-2002
			AT 212774 T	15-02-2002
			AU 736350 B2	26-07-2001
			AU 3022497 A	04-01-1999
			AU 739465 B2	11-10-2001
			AU 5649598 A	04-01-1999
			WO 9858510 A1	23-12-1998
			CN 1260939 T	19-07-2000
			DE 59706821 D1	02-05-2002
			DE 59802969 D1	14-03-2002
			DK 990355 T3	01-07-2002
			DK 990356 T3	29-04-2002
			EP 0990355 A1	05-04-2000
			EP 0990356 A1	05-04-2000
			ES 2172870 T3	01-10-2002
			HU 0003157 A2	29-01-2001
			HU 0003565 A2	28-03-2001
			JP 2002511217 T	09-04-2002
			JP 2002510444 T	02-04-2002
			NO 996145 A	16-02-2000
			NO 996148 A	11-02-2000
			NZ 501858 A	28-09-2001
			NZ 501859 A	28-08-2002
			RU 2204166 C2	10-05-2003
			TW 480449 B	21-03-2002
WO 0100291	A	04-01-2001	AU 5897200 A	31-01-2001
			WO 0100291 A1	04-01-2001
WO 0176710	A	18-10-2001	AU 4990101 A	23-10-2001
			CA 2405166 A1	18-10-2001
			EP 1268022 A2	02-01-2003
			WO 0176710 A2	18-10-2001
			US 2002098888 A1	25-07-2002

INTERNATIONAL SEARCH REPORT

Information on patent family members

International Application No

PCT/US 02/31061

Patent document cited in search report		Publication date	Patent family member(s)	Publication date
WO 0176710	A		US 2002103027 A1	01-08-2002
			US 2001044337 A1	22-11-2001
GB 2284913	A	21-06-1995	NONE	
EP 0924657	A	23-06-1999	US 6038666 A	14-03-2000
			EP 0924657 A2	23-06-1999
			JP 3222111 B2	22-10-2001
			JP 11316818 A	16-11-1999
			US 6182221 B1	30-01-2001
WO 0101379	A	04-01-2001	AU 5430600 A	31-01-2001
			WO 0101379 A1	04-01-2001
			JP 2001083905 A	30-03-2001
JP 2001146058	A	29-05-2001	NONE	
EP 0744786	A	27-11-1996	US 5605506 A	25-02-1997
			AU 699309 B2	03-12-1998
			AU 5197796 A	05-12-1996
			BR 9602396 A	22-04-1998
			CA 2176069 A1	25-11-1996
			DE 69601106 D1	21-01-1999
			DE 69601106 T2	10-06-1999
			EP 0744786 A1	27-11-1996
			ES 2128124 T3	01-05-1999
			JP 8340205 A	24-12-1996
			ZA 9604115 A	03-12-1996