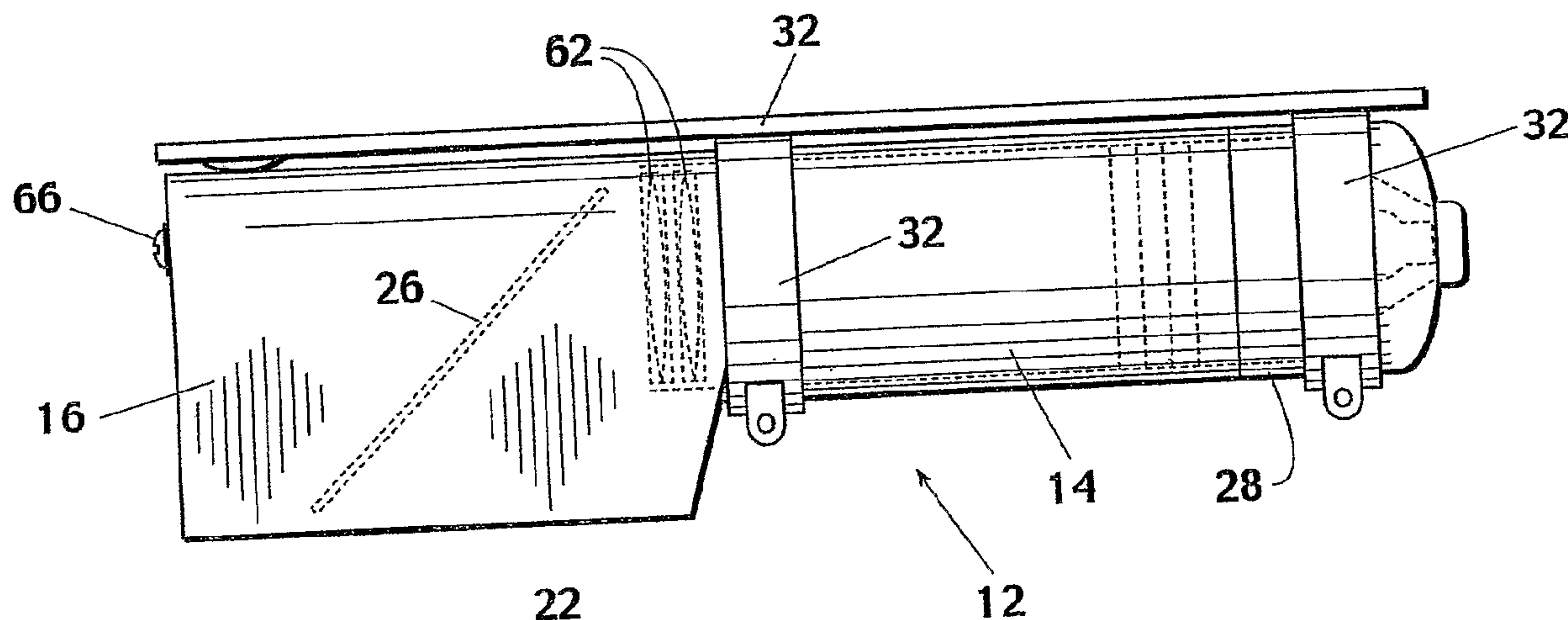




(86) Date de dépôt PCT/PCT Filing Date: 2002/09/13  
 (87) Date publication PCT/PCT Publication Date: 2003/04/03  
 (45) Date de délivrance/Issue Date: 2011/08/09  
 (85) Entrée phase nationale/National Entry: 2005/03/24  
 (86) N° demande PCT/PCT Application No.: US 2002/029191  
 (87) N° publication PCT/PCT Publication No.: 2003/027990  
 (30) Priorité/Priority: 2001/09/26 (US09/964,320)

(51) Cl.Int./Int.Cl. *G09F 21/04* (2006.01),  
*B60Q 1/04* (2006.01), *G09F 19/18* (2006.01)  
 (72) Inventeur/Inventor:  
GRUTZE, GLEN A., US  
 (73) Propriétaire/Owner:  
GRUTZE, GLEN A., US  
 (74) Agent: MACRAE & CO.

(54) Titre : PROJECTEUR DE GOBO POUR VEHICULE  
 (54) Title: GOBO PROJECTOR FOR A VEHICLE



(57) Abrégé/Abstract:

A gobo projector for projecting an image onto a paved surface below a vehicle including: a cylindrical body; a light source and reflector at a first end of the body for casting a beam of light toward the opposite end of the body; and a window housing attached to the opposite end of the body. The window housing includes a window opening covered with a transparent material in an airtight manner and a pivotal mirror adapted to reflect the beam of light outward through the window opening. The gobo projector further includes a pair of lenses, interposed between the light source and the mirror, slidably mounted in the housing for adjusting the size and focus of the projected image, a slot for receiving a gobo and a heat shield between the slot and the light source to protect the gobo.

## (12) INTERNATIONAL APPLICATION PUBLISHED UNDER THE PATENT COOPERATION TREATY (PCT)

(19) World Intellectual Property Organization  
International Bureau(43) International Publication Date  
3 April 2003 (03.04.2003)

PCT

(10) International Publication Number  
WO 03/027990 A3(51) International Patent Classification<sup>7</sup>: G09F 21/04,  
B60Q 1/04

(21) International Application Number: PCT/US02/29191

(22) International Filing Date:  
13 September 2002 (13.09.2002)

(25) Filing Language: English

(26) Publication Language: English

(30) Priority Data:  
09/964,320 26 September 2001 (26.09.2001) US

(71) Applicant and

(72) Inventor: GRUTZE, Glen, A. [US/US]; P.O. Box 2101,  
Sapulpa, OK 74067 (US).(74) Agent: HOLMES, Fred, H.; Fellers, Snider, Blankenship,  
Bailey & Tippens, P., C., Suite 800, 321 South Boston,  
Tulsa, OK 74103-3318 (US).(81) Designated States (national): AE, AG, AL, AM, AT, AU,  
AZ, BA, BB, BG, BR, BY, BZ, CA, CH, CN, CO, CR, CU,  
CZ, DE, DK, DM, DZ, EC, EE, ES, FI, GB, GD, GE, GH,  
GM, HR, HU, ID, IL, IN, IS, JP, KE, KG, KP, KR, KZ, LC,  
LK, LR, LS, LT, LU, LV, MA, MD, MG, MK, MN, MW,  
MX, MZ, NO, NZ, OM, PH, PL, PT, RO, RU, SD, SE, SG,  
SI, SK, SL, TJ, TM, TN, TR, TT, TZ, UA, UG, US, UZ,  
VC, VN, YU, ZA, ZM, ZW.(84) Designated States (regional): ARIPO patent (GH, GM,  
KE, LS, MW, MZ, SD, SL, SZ, TZ, UG, ZM, ZW),Eurasian patent (AM, AZ, BY, KG, KZ, MD, RU, TJ, TM),  
European patent (AT, BE, BG, CH, CY, CZ, DE, DK, EE,  
ES, FI, FR, GB, GR, IE, IT, LU, MC, NL, PT, SE, SK,  
TR), OAPI patent (BF, BJ, CF, CG, CI, CM, GA, GN, GQ,  
GW, ML, MR, NE, SN, TD, TG).

## Declaration under Rule 4.17:

— as to applicant's entitlement to apply for and be granted a patent (Rule 4.17(ii)) for the following designations AE, AG, AL, AM, AT, AU, AZ, BA, BB, BG, BR, BY, BZ, CA, CH, CN, CO, CR, CU, CZ, DE, DK, DM, DZ, EC, EE, ES, FI, GB, GD, GE, GH, GM, HR, HU, ID, IL, IN, IS, JP, KE, KG, KP, KR, KZ, LC, LK, LR, LS, LT, LU, LV, MA, MD, MG, MK, MN, MW, MX, MZ, NO, NZ, OM, PH, PL, PT, RO, RU, SD, SE, SG, SI, SK, SL, TJ, TM, TN, TR, TT, TZ, UA, UG, UZ, VC, VN, YU, ZA, ZM, ZW, ARIPO patent (GH, GM, KE, LS, MW, MZ, SD, SL, SZ, TZ, UG, ZM, ZW), Eurasian patent (AM, AZ, BY, KG, KZ, MD, RU, TJ, TM), European patent (AT, BE, BG, CH, CY, CZ, DE, DK, EE, ES, FI, FR, GB, GR, IE, IT, LU, MC, NL, PT, SE, SK, TR), OAPI patent (BF, BJ, CF, CG, CI, CM, GA, GN, GQ, GW, ML, MR, NE, SN, TD, TG)

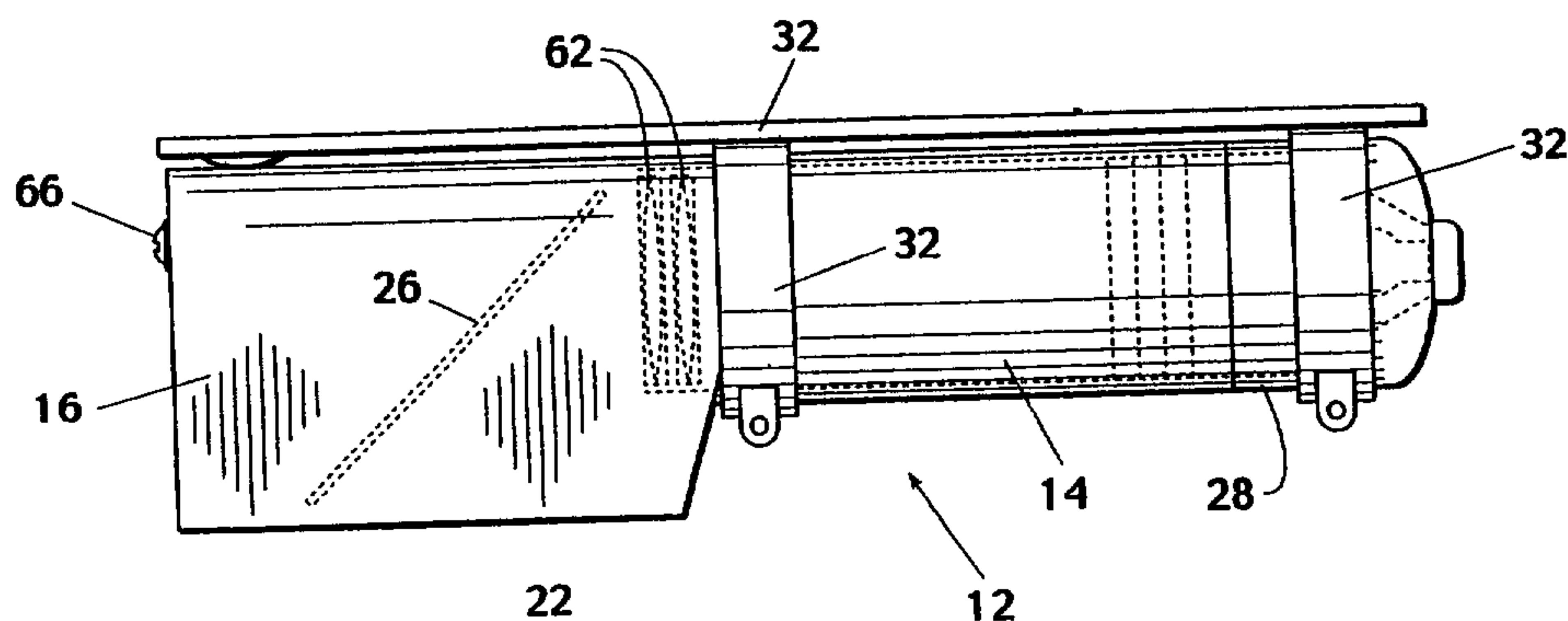
## Published:

— with international search report

(88) Date of publication of the international search report:  
24 December 2003

For two-letter codes and other abbreviations, refer to the "Guidance Notes on Codes and Abbreviations" appearing at the beginning of each regular issue of the PCT Gazette.

(54) Title: GOBO PROJECTOR FOR A VEHICLE



(57) Abstract: A gobo projector for projecting an image onto a paved surface below a vehicle including: a cylindrical body; a light source and reflector at a first end of the body for casting a beam of light toward the opposite end of the body; and a window housing attached to the opposite end of the body. The window housing includes a window opening covered with a transparent material in an airtight manner and a pivotal mirror adapted to reflect the beam of light outward through the window opening. The gobo projector further includes a pair of lenses, interposed between the light source and the mirror, slidably mounted in the housing for adjusting the size and focus of the projected image, a slot for receiving a gobo and a heat shield between the slot and the light source to protect the gobo.



WO 03/027990 A3

## GOBO PROJECTOR FOR A VEHICLE

### BACKGROUND OF THE INVENTION

#### 1. Field of the Invention

[001] The present invention relates to a projector which can be attached to a vehicle and more particularly to a gobo disc type projector which can project a preferred logo, such as the logo of an automobile manufacturer onto the pavement beneath the  
5 vehicle.

#### 2. Background of the Invention

[002] Gobo projectors are well known in the art. Such projectors find wide use in the entertainment industry, i.e., night clubs, concerts, stage productions, and the like, as well as in displays such as holiday displays. A gobo is essentially a slide (much like a  
10 photographic slide) having a translucent image typically supported in a circular metal frame. Gobos are readily available today on the market for such uses and are often offered with company logos, team logos or images of mascots, school logos, holiday images, patriotic images, artistic images, etc. In addition, manufacturers of gobos will typically produce a custom gobo of virtually any image. None, however, exist of  
15 automobile logos.

[003] While portable gobo projectors are also known in the art, none of these projectors are airtight or watertight and adapted for use on a vehicle. A number of factors arise which are unique to such an application. For example: a vehicle mounted gobo projector would preferably be adapted to operate from a 12 volt power supply; it would  
20 typically be subjected to inhospitable elements such as rain, snow, salt, rock strikes, road tar, fumes, etc.; and would preferably be of a shape conducive to mounting on a vehicle.

In addition, a vehicle mounted gobo projector would have to be positioned such that a projected image would not blind or distract other drivers.

[004] It is thus an object of the present invention to provide a gobo projector for use on a vehicle which satisfies the needs and alleviates the problems discussed above.

5

#### SUMMARY OF THE INVENTION

[005] The present invention relates to a projector utilizing conventional lenses and one or more gobo discs all mounted in an airtight easily movable container or projector which is adapted to project an image onto the surface of the pavement adjacent or beneath an automobile, or other vehicle, preferably in the areas adjacent the driver's door and the passenger's door.

[006] The projector of the present invention consists essentially of a cylindrical body approximately 10 inches long and approximately 2 inches in diameter. These dimensions are given merely for convenience and are not to be considered as critical. At the forward end of the cylindrical body is mounted a window housing which includes a pair of parallel side plates projecting downwardly tangent to the cylindrical body and terminating in a window which faces down towards the pavement. Inside the window housing is a pivotal mirror which is adjustable as to its angle. Also within the window housing are a pair of lenses which are adapted to be moved, in a conventional manner, along a track arrangement to a given position towards the opposite end of the cylindrical body.

[007] At the opposite end of the cylindrical body is a light source and a conical reflector to direct the light beams toward the forward end of the device. In the cylindrical housing between the light source and the lenses are a heat shield and immediately forward

of that a slot for a gobo disc and immediately forward of the slot for the gobo disc an optional slot for an optional gobo disc.

[008] The above described cylinder with adjustable mirror, gobo discs, heat shield, and light source is removably mounted on a bracket which can be pre-punched with holes so as to permit attachment of the bracket to the under surface of the automobile at any convenient location by means of a rivet gun, threaded fasteners, or other suitable means. A glass or plastic window covers the window opening in the window portion of the projector in an airtight and liquid tight relation. In fact, the entire projector is liquid tight and airtight. The bulb and the conical reflector are mounted in a cap which screws over the end of the cylindrical body and which is secured thereto by means of an o-ring which makes the connection liquid tight. The projector connects with the conventional 12 volt system of the vehicle through a connector which is also water tight.

[008.1] According to one aspect of the present invention there is provided a gobo projector accessory for a vehicle, for projecting an image stored on a gobo from the vehicle onto a portion of a surface below the vehicle, comprising a cylindrical body having a light source at one end and a reflector for directing light towards an opposite end of the cylindrical body, a window housing located at the opposite end of the cylindrical body, the window housing comprising a pair of parallel plates connected tangentially to the sides of the cylindrical body and extending downwardly in parallel relation and terminating in a window opening, a window covering the window opening in an airtight manner, a pivotal mirror located in the window housing and adapted to intercept light beams from the light source and direct them downwardly through the window, a pair of lenses interposed between the mirror and the light source, a transparent heat shield located in the cylindrical body adjacent the

light source, a slotted opening in the cylindrical body for receiving therein a gobo disc adjacent the heat shield and a flat bracket having pre-punched holes to permit attachment thereof to the underside of the vehicle, a first clamp mounted at an end of the bracket and second clamp mounted intermediate the ends of the bracket, the clamps being adapted to engage the cylindrical body of the projector and hold it against the bracket, a protuberance located adjacent at an end of the bracket opposite from the end at which the first clamp is attached for bearing against the projector to minimize vibration thereof.

[008.2] According to a further aspect of the present invention there is provided a gobo projector accessory for a vehicle having a 12-volt electrical system comprising a body having a first end and a second end; a gobo having an image stored thereon, the gobo disposed in the body between the first end and the second end; a lens disposed between the first end and the second end; a window located proximate the second end, the window comprising an aperture in the body and a transparent cover covering the aperture; and a light source at the first end directing light through the gobo and the lens towards the second end such that the image is projected from the window, the light source adapted to operate from the 12-volt electrical system of the vehicle: the lens being movable between the first end and the second end and with respect to the light source for focusing the projected image.

[008.3] According to another aspect of the present invention there is provided a gobo projector accessory for a vehicle having a frame beneath the vehicle, the gobo projector comprising a body having a first end and a second end, the body including a mounting bracket affixed to the frame of the vehicle; a gobo having an image stored thereon, the gobo disposed in the body between the first end and the second end; a

lens disposed between the first end and the second end; a window located proximate the second end, the window comprising an aperture in the body and a transparent cover covering the aperture in an airtight manner; and a light source at the first end directing light through the gobo and the lens towards the second end such that the image is projected from beneath the vehicle.

[009] Further aspects, features, and advantages of the present invention will be apparent to those skilled in the art upon examining the accompanying drawings and upon reading the following description of the preferred embodiments.

#### BRIEF DESCRIPTION OF THE DRAWINGS

[010] Figure 1 is a side elevation of a vehicle to which the projector of the present invention is attached.

[011] Figure 2 is a side elevation of one of the projectors itself on a larger scale than is shown in Figure 1.

[012] Figure 3 is a side elevation similar to Figure 2 but on a slightly larger scale, showing some of the internal details of the device.

[013] Figure 4 is a bottom view taken from Figure 3.

[014] Figure 5 is a right-hand end view taken from Figure 3.

[015] Figure 6 is a semi-diagrammatic plan view of the vehicle shown in Figure 1 showing two projectors, one on each side, and the area in which the image can be projected.

5 [016] Figure 7 is an internal detail of the mirror shown in Figure 3 but rotated 180°.

[017] Figure 8 is a view similar to Figure 7 but showing the mirror being retracted to a more acute angle.

[018] Figure 9 is a bottom plan view of the bracket which is used for holding the  
10 projector and for attaching it to the vehicle.

[019] Figure 10 is a side elevation taken from Figure 9.

[020] Figure 11 is an enlarged partial sectional view of the clamp which is used to hold the projector against the bracket of Figure 9, taken along line 11-11 of Figure 9.

[021] Figures 12 through 17, inclusive, are semi-diagrammatic views similar to  
15 Figure 6 but showing the projectors and their images in somewhat different relative positions along the horizontal length of the vehicle.

#### DESCRIPTION OF THE PREFERRED EMBODIMENTS

[022] Before explaining the present invention in detail, it is important to understand that the invention is not limited in its application to the details of the  
20 construction illustrated and the steps described herein. The invention is capable of other embodiments and of being practiced or carried out in a variety of ways. It is to be understood that the phraseology and terminology employed herein is for the purpose of description and not of limitation.

[023] Referring to the drawings in detail, Figure 1 shows a vehicle **10** to which the projector of the present invention is applied. As best shown in Figure 2, the projector **12** is comprised of a cylindrical body **14** approximately 10 inches in length and about 2 inches in diameter, preferably formed of plastic, or other moldable material. This body **14** is airtight and watertight and is provided with an end cap **28** which seals over the right-hand end of the cylindrical body **14** as shown in Figure 2, but which includes the light bulb and its reflector, as will be described hereinafter. Forward of the cylindrical portion **14** is a window housing **16** which, as best shown in Figure 5, consists of a pair of parallel side plates **18** and **20** which extend tangent to the cylindrical body and which extend further about one inch below the cylindrical body.

[024] Referring to FIG. 4, the window housing **16** terminates in a window opening **22**. Preferably a glass or plastic material **24** covers the window **22** in an airtight relation. Within the window housing **16**, there is mounted an oval mirror **26**, preferably of plastic material, which is pivotally mounted at its upper end **58** to a pivotal ear **60** as shown in Figure 3. As shown in FIGS. 7 and 8, which represent the same element shown in FIG. 3 rotated 180°, the upper end **58** of the mirror **26** becomes the lower end in FIG. 7 and the ear **60** is shown as attached to the upper body of the window housing **16**. Continuing on with a consideration of FIGS. 7 and 8, the mirror is actuated by a worm screw **50** which projects outwardly from the window housing **16** and which engages a worm nut **52** which is pivotally secured to the lower end of a lever arm **54**. The upper end of the lever arm **54** (actually this would be the lower end as shown in Figure 3) attaches to a tab **56** which is secured to the non-reflective side of the mirror **26**. As can be appreciated from a consideration of Figures 7 and 8, turning the worm screw **50** would

cause the mirror **26** to pivot about the ear **60** so as to change from a large acute angle in Figure 7 to a small acute angle in Figure 8.

[025] As shown in FIGS. 9 to 11, the projector **12** is preferably attached to the underside of a vehicle **10** (not shown here) by means of a bracket **30** which is provided with a plurality of pre-punched holes. A rivet gun (not shown) can be used to attach the bracket to the underside of the automobile through the pre-punched holes in any convenient manner and at a location which is convenient to the operator. As will be apparent to those skilled in the art, a variety of other means could alternatively be employed for securing bracket **30** to the vehicle **10** including, but not limited to, threaded fasteners, adhesives, straps, etc. The bracket **30** consists of a rectangular plate approximately 10 inches in length and 2 inches in width having a pair of circular clamps **32** attached thereto, one clamp **32** being at one end of the bracket and the other clamp **32** being essentially centrally located. At the opposite end of the bracket **30** from the clamp **32** is a rounded enlargement **38** which will bear against the projector **12** when it is mounted on the plate **30** so as to minimize vibration.

[026] Referring now particularly to Figure 11, each clamp **32** is comprised of a semi-circular stationary portion **34** and a pivotal semi-circular portion **36** the lower end of which is pivotally attached to the bracket by means of the pivot joint **46**. The upper ends of the clamp are placed together by an adaptor which consists of a screw **40** mounted in a screw housing **42** and cooperating with a threaded coupler **44** at the upper end of the stationary portion **34** of the clamp.

[027] Turning again to Figures 3 and 4, the projector **12** of the present invention is provided with a pair of movable lenses **62** which are adapted to be moved lengthwise

of the barrel of the cylindrical body 14. The dotted line position 64 represents the possible maximum movement of the lenses 62 towards the right-hand end of the cylindrical body 14. As shown in Figure 2, the lenses 62 are adapted to slide in a track and are movable by means of the adjustment screw 66 in a conventional manner, the details of which are  
5 not shown.

[028] As will be apparent to those skilled in the art, the lense system employed in the inventive gobo projector, and described above, is typical of prior art gobo projectors. It should be noted that a variety of conventional lense systems could instead be employed, the main concerns being the ability to focus the projected image and  
10 protection of the lenses from the environment.

[029] When projectors 12 of the present invention are installed on a vehicle, preferably one projector is attached to each side of the automobile. Preferably, also, the two projectors are installed under the driver door and the passenger door, respectively, so as to project images on the pavement or roadway. The maximum area, or projection  
15 area, is represented by the numeral 80 in Figure 6. As shown in Figures 3 and 4, the light source is a bulb 70, which is surrounded by a reflective cone 72. The light from the bulb 70 passes through a clear type heat shield 74 through a gobo disc mounted in slot 76 and, if desired, through a clear gobo disc mounted in extra slot 78. The light from the gobo discs passes through the lens 62 to the mirror and then out through the window 24.

20 [030] As shown in Figure 7, if the light 84 coming horizontally from the light source strikes the mirror 26 at approximately a 45 degree angle, the reflective light 86 will be at right angles to the incoming light 84. However, if the mirror 26 is at an acute angle

as shown in Figure 8, the reflected beams of light **86** will be at an obtuse angle with respect to the incoming horizontal rays of light from the light source.

[031] Turning now to a consideration of Figures 12 through 17 inclusive, if the projectors **12** are located in a forward portion of the vehicle, it will be necessary to have  
5 the light beams reflect the images **82** back from the projectors **12**, in which case the angle of the mirrors shown in Figure 8 would be adjusted. If the two projectors **12** are substantially centrally located on the vehicle, the mirror can be essentially in the position shown in Figure 7. When the projectors **12** are located at the rear of the vehicle, then the mirrors would be adjusted opposite to that shown in Figure 12.

10 [032] Figure 15 shows the two projectors **12** located forward of the center of the vehicle and with the images **82** being smaller. This is effected by changing the position of the lenses. Figure 16 shows the projectors in essentially the same position as in Figure 15, but with the images **82** being slightly larger. This can be effected by adjusting the lenses and the angle of the mirror. In Figure 17, the images **82** are slightly larger than  
15 those shown in Figure 16 and, again, this condition is created by adjusting the lenses and the mirror. Preferably, the lenses **62** are three to four inches from the gobo disc **76** and are adjustable in that area.

[033] It should be noted too that, with vehicles with exceptionally high ground clearance, it may be desirable to use a single projector to project an image directly under  
20 the vehicle.

[034] For the purpose of providing stability and for eliminating some of the vibration, a solid plastic filet **48** is placed between the stationary portion **34** of the coupler **32** and the bracket **30** as shown in Figure 11.

[035] It should be understood that the end cap 28 which is screwed onto the cylindrical body 14 can be unthreaded and removed so as to replace the gobo disc. However, the cap 28 is attached to the cylindrical disc 14 by means of an O-ring connection (not shown) to assure fluid tightness.

5 [036] It should be emphasized that the device is airtight and watertight and is preferably made of shatterproof scratch resistant glass and/or plastic where such portions are employed. The device is adapted to be utilized with the 12-volt electrical supply system of the automobile. The light bulb should be long lasting and preferably low heat. As shown in Figure 5, the light bulb is connected to the 12-volt system by means of a  
10 power plug 90 which is also watertight. With the device of the present invention, the light is never seen, only the image, which is thrown onto the pavement. By twisting and turning the unit and by moving the mirror, one could put the image 82 any place within the image area 80. However, the best and most desired location for the image should be under the driver and under the passenger door, filling an area approximately 12 inches by  
15 24 inches.

[037] It is understood that some vehicles have their chassis lower than others. It has been found, as far as the present invention is concerned, that as the apparatus moves away from the ground, from 12 inches to 24 inches, the adjustment distance from the gobo disc to the lens assembly is a mere 2 inches, thus making clear focus and clarity a  
20 very minimal problem.

[038] As will be apparent to those skilled in the art, while various components of the inventive gobo projector were described as being formed of plastic, a number of other materials would perform satisfactorily and the use of such materials is within the

scope and spirit of the present invention. By way of example and not limitation, cylindrical body 14 could be formed of metal, wood, or other rigid material.

[039] As will also be apparent to those skilled in the art, while the inventive gobo projector is shown and described as mounting to a vehicle with a bracket having band-type  
5 clamps thereon, the method of mounting the projector is not so limited. In fact, the projector itself could be attached directly to the vehicle, if so desired.

\* \* \* \* \*

[040] Thus, the present invention is well adapted to carry out the objects and  
10 attain the ends and advantages mentioned above as well as those inherent therein. While presently preferred embodiments have been described for purposes of this disclosure, numerous changes and modifications will be apparent to those skilled in the art. Such changes and modifications are encompassed within the spirit of this invention.

**WHAT IS CLAIMED IS:**

1. A gobo projector accessory for a vehicle, for projecting an image stored on a gobo from the vehicle onto a portion of a surface below the vehicle, comprising a cylindrical body having a light source at one end and a reflector for directing light towards an opposite end of the cylindrical body, a window housing located at the opposite end of the cylindrical body, the window housing comprising a pair of parallel plates connected tangentially to the sides of the cylindrical body and extending downwardly in parallel relation and terminating in a window opening, a window covering the window opening in an airtight manner, a pivotal mirror located in the window housing and adapted to intercept light beams from the light source and direct them downwardly through the window, a pair of lenses interposed between the mirror and the light source, a transparent heat shield located in the cylindrical body adjacent the light source, a slotted opening in said cylindrical body for receiving therein a gobo disc adjacent the heat shield and a flat bracket having pre-punched holes to permit attachment thereof to the underside of the vehicle, a first clamp mounted at an end of the bracket and second clamp mounted intermediate the ends of the bracket, the clamps being adapted to engage the cylindrical body of the projector and hold it against the bracket, a protuberance located adjacent at an end of the bracket opposite from the end at which the first clamp is attached for bearing against the projector to minimize vibration thereof.

2. A gobo projector as set forth in claim 1 including means for adjusting the angle of the mirror comprising an elongated worm screw mounted for rotation within the window housing, a worm nut operatively engaging the worm screw, a pivotal arm having one end attached to the worm nut and another end attached to a tab connected

to the underside of the mirror whereby rotation of the worm screw will cause movement of the worm and consequent pivotal movement of the mirror.

3. A gobo projector as set forth in claim 1 wherein said pair of lenses is movable between a first position toward said light source and a second position away from said light source for focusing the projected image on the surface below the vehicle, the gobo projector further comprising a focus adjustment screw for selectively moving said pair of lenses between said first position and said second position.

4. A gobo projector as set forth in claim 3 including a plastic fillet located between a side of the first clamp and the bracket to dampen vibrations of the projector.

5. A gobo projector accessory for a vehicle having a 12-volt electrical system comprising:

a body having a first end and a second end;

a gobo having an image stored thereon, said gobo disposed in said body between said first end and said second end;

a lens disposed between said first end and said second end;

a window located proximate said second end, said window comprising an aperture in said body and a transparent cover covering said aperture;

and

a light source at said first end directing light through said gobo and said lens towards said second end such that said image is projected from said

window, said light source adapted to operate from the 12-volt electrical system of the vehicle:

said lens being movable between said first end and said second end and with respect to said light source for focusing the projected image.

6. A gobo projector accessory for a vehicle having a frame beneath the vehicle, the gobo projector comprising:

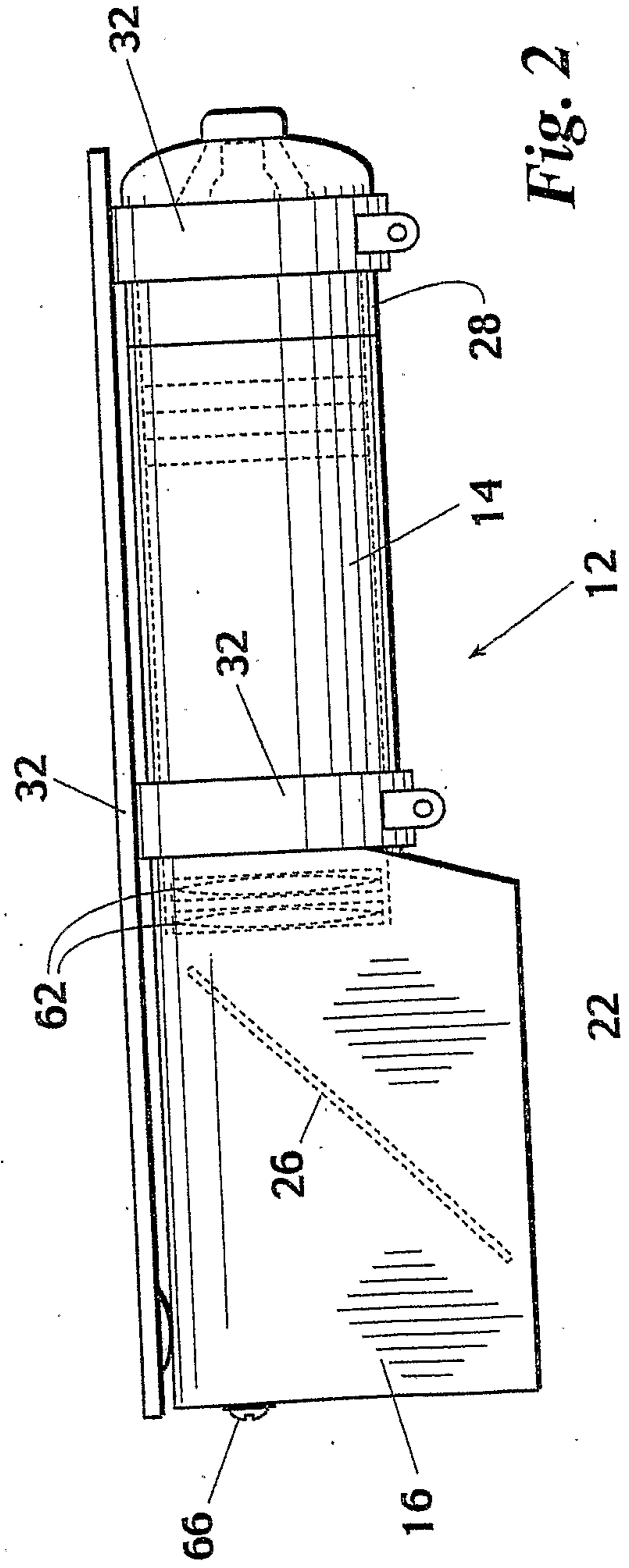
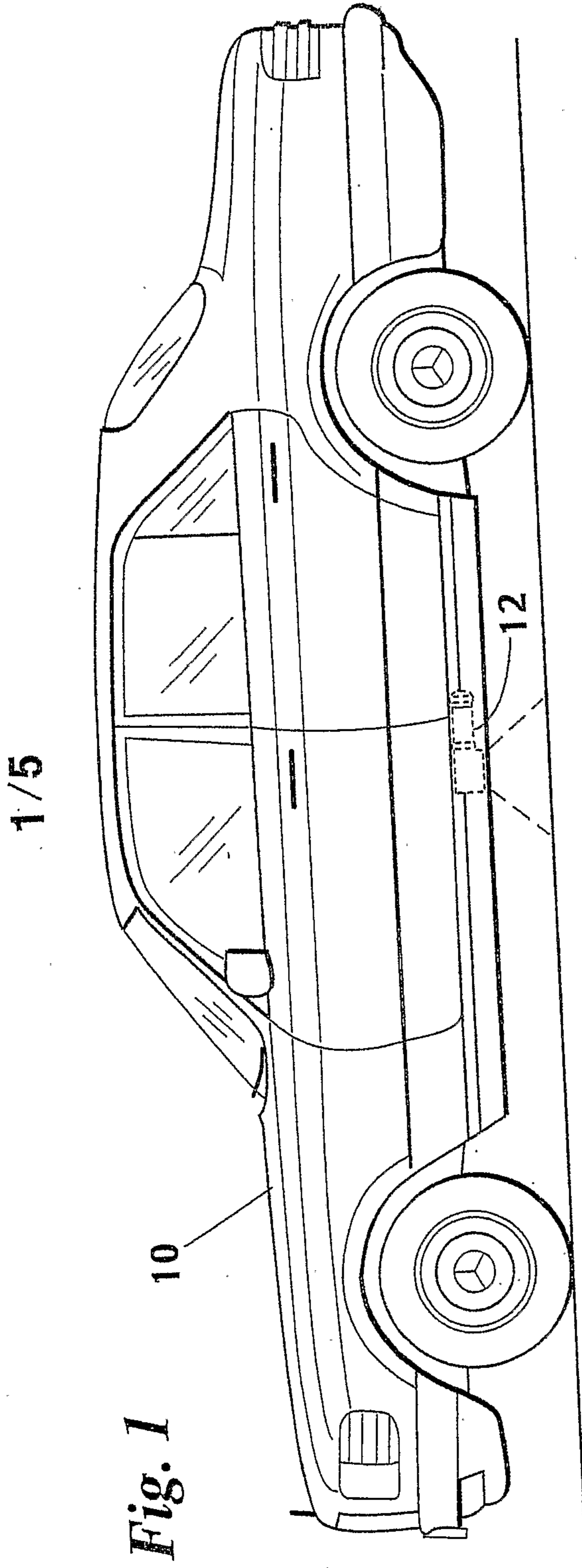
a body having a first end and a second end, said body including a mounting bracket affixed to the frame of the vehicle;

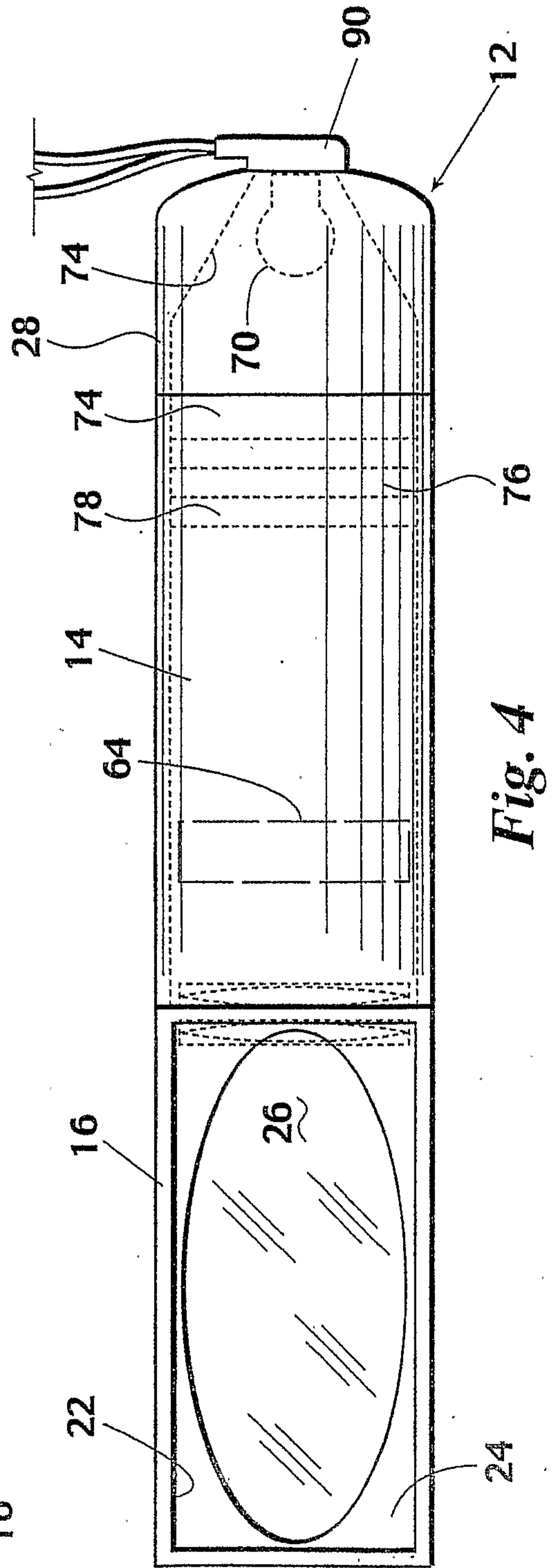
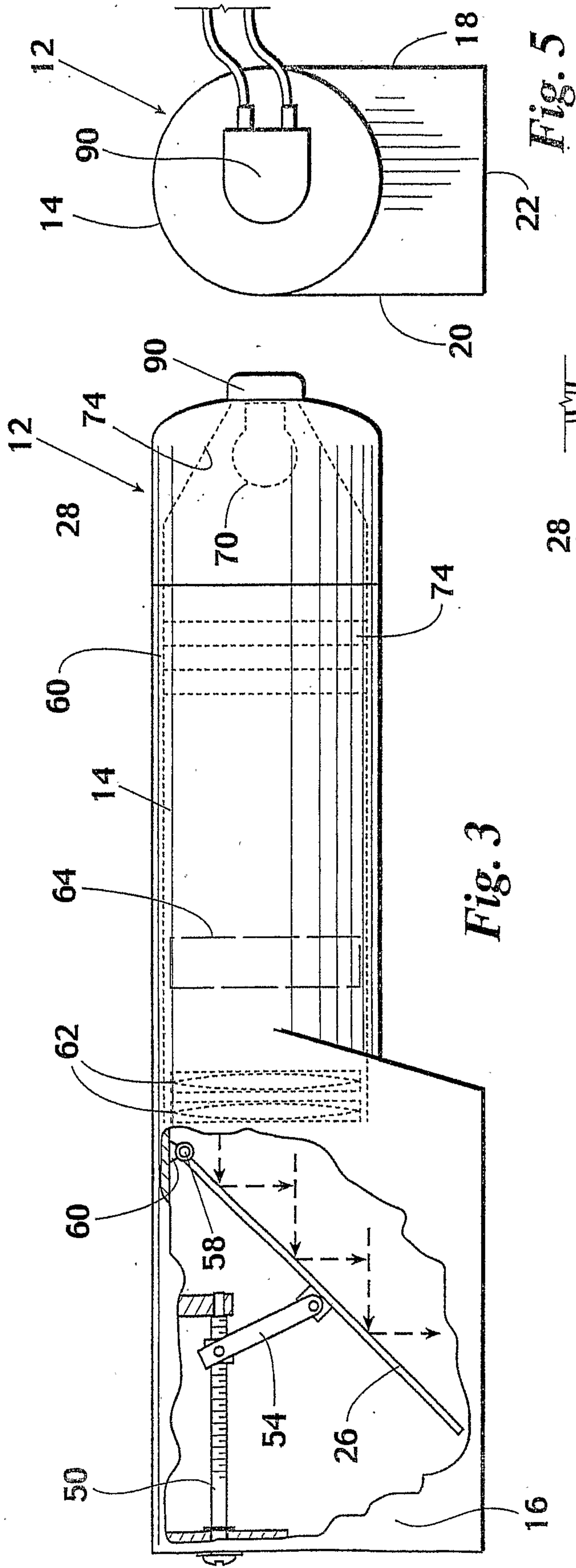
a gobo having an image stored thereon, said gobo disposed in said body between said first end and said second end;

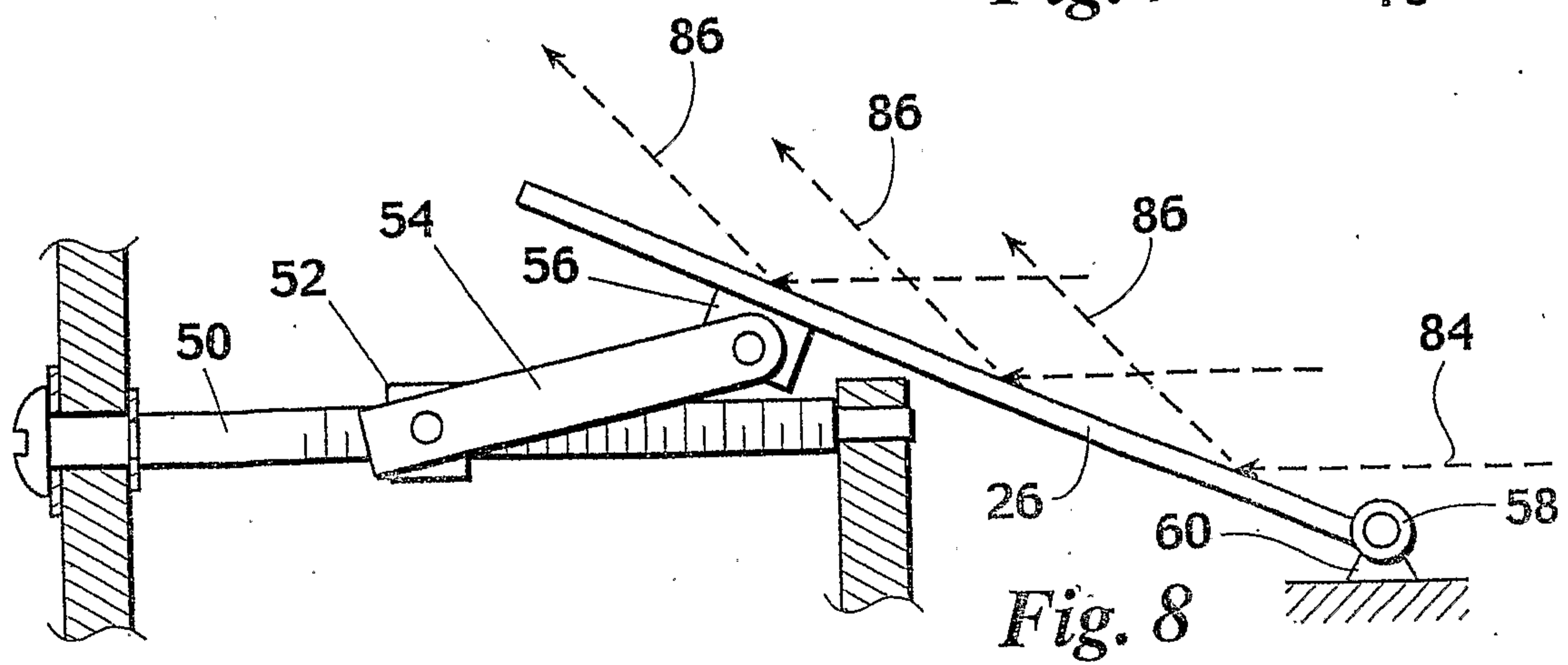
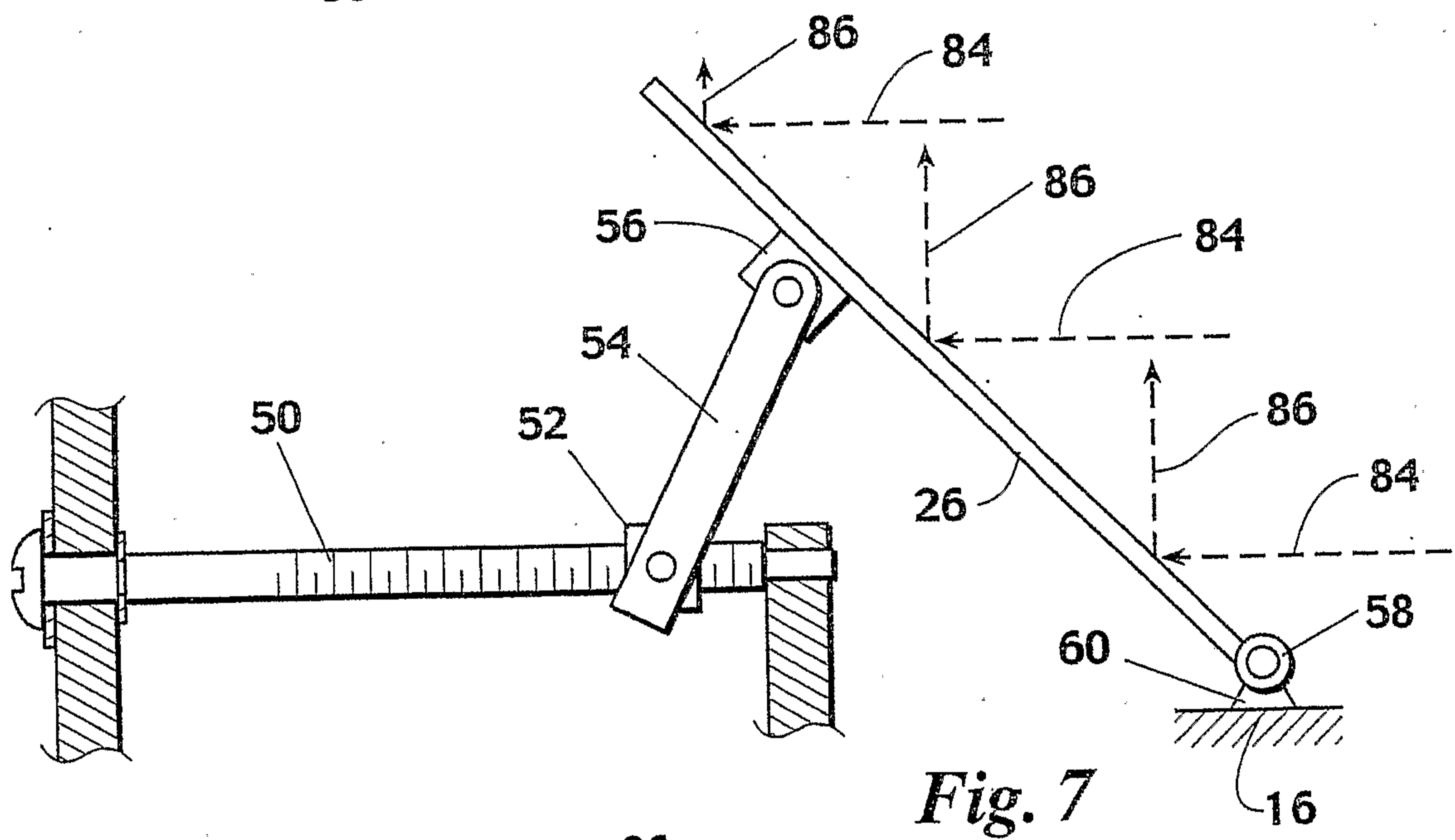
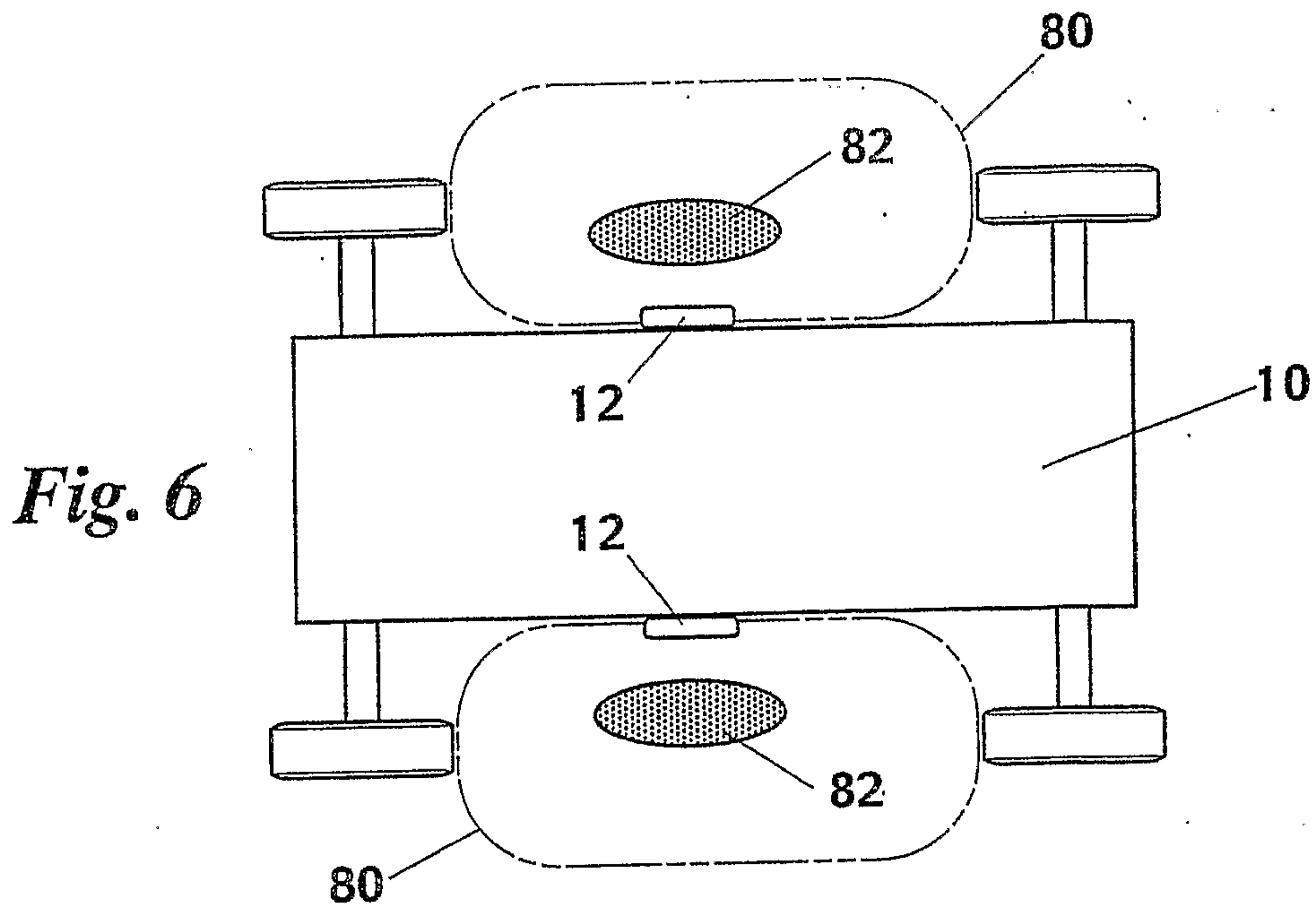
a lens disposed between said first end and said second end;

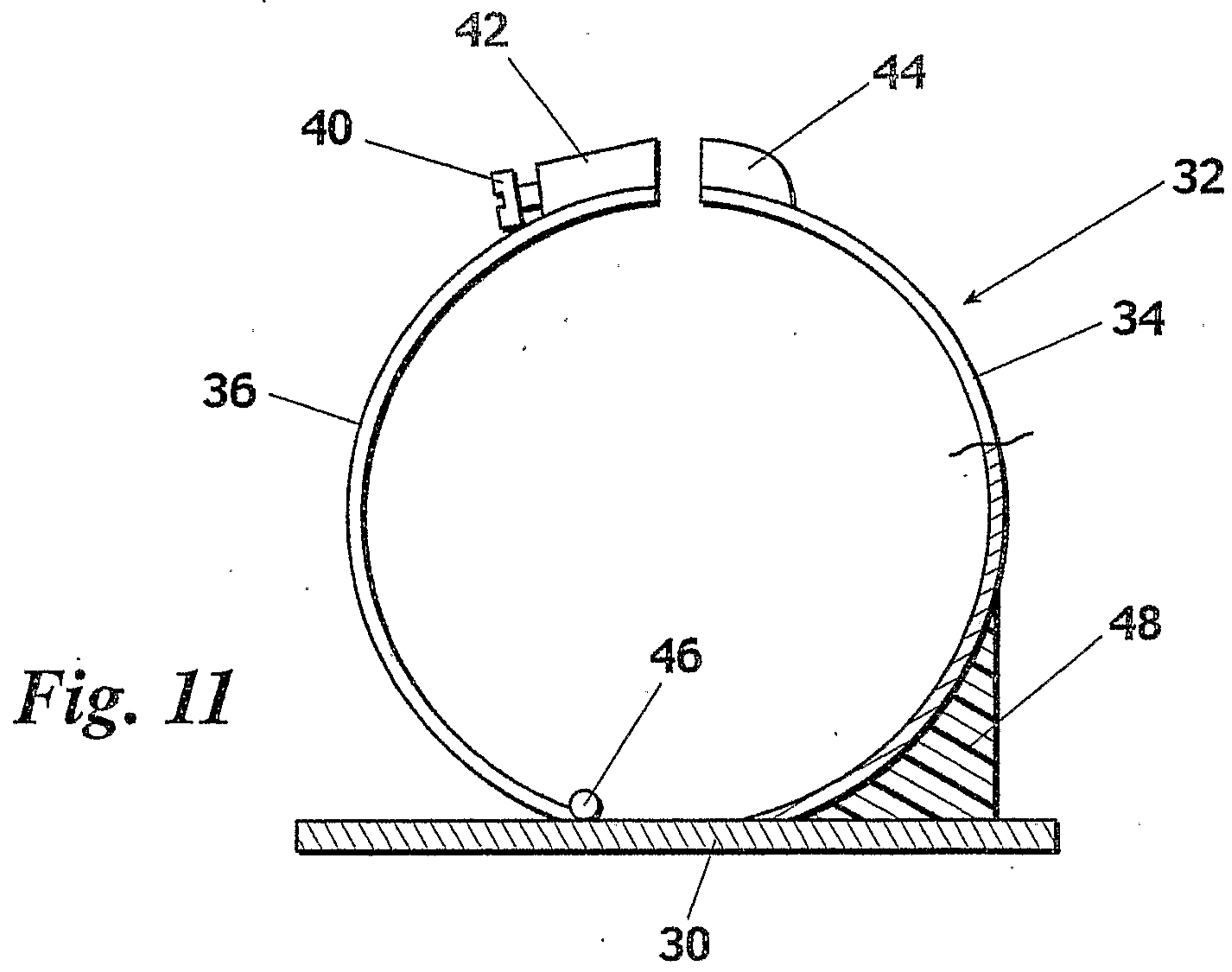
a window located proximate said second end, said window comprising an aperture in said body and a transparent cover covering said aperture in an airtight manner; and

a light source at said first end directing light through said gobo and said lens towards said second end such that said image is projected from beneath the vehicle.

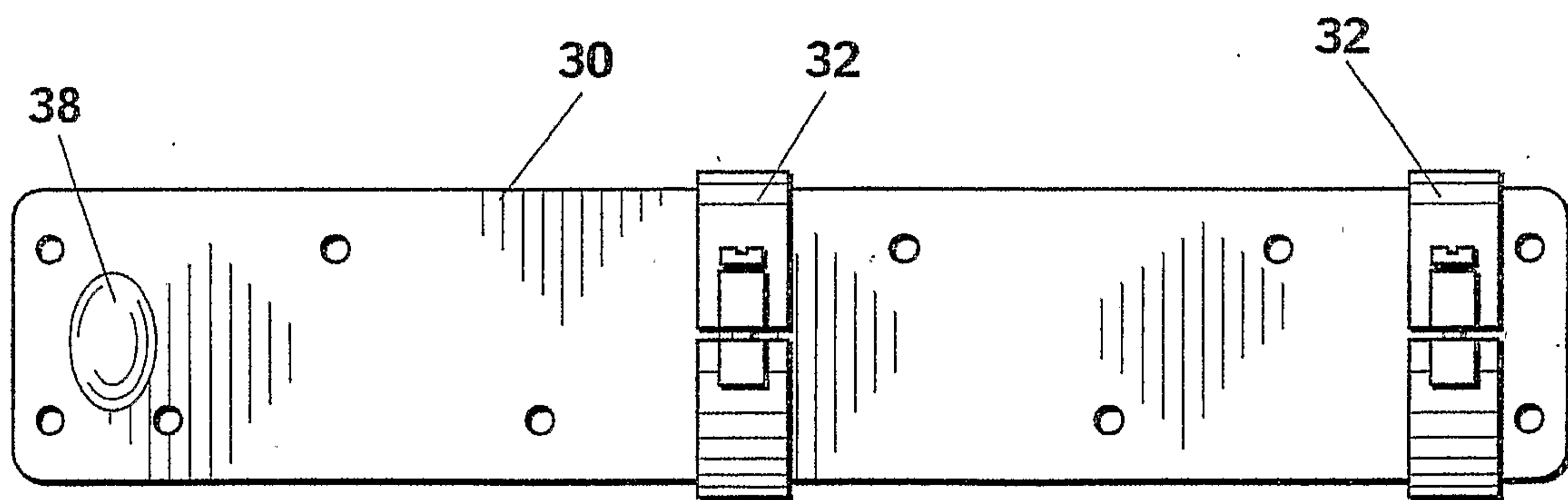




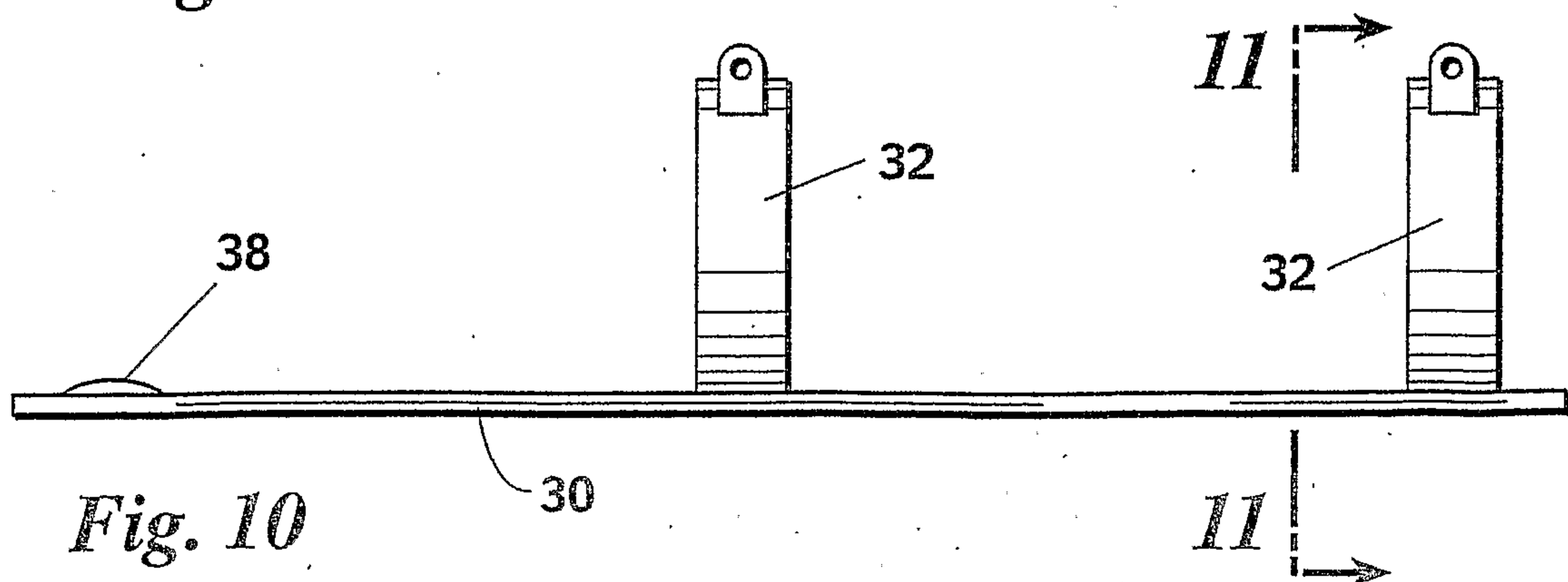




*Fig. 11*



*Fig. 9*



*Fig. 10*

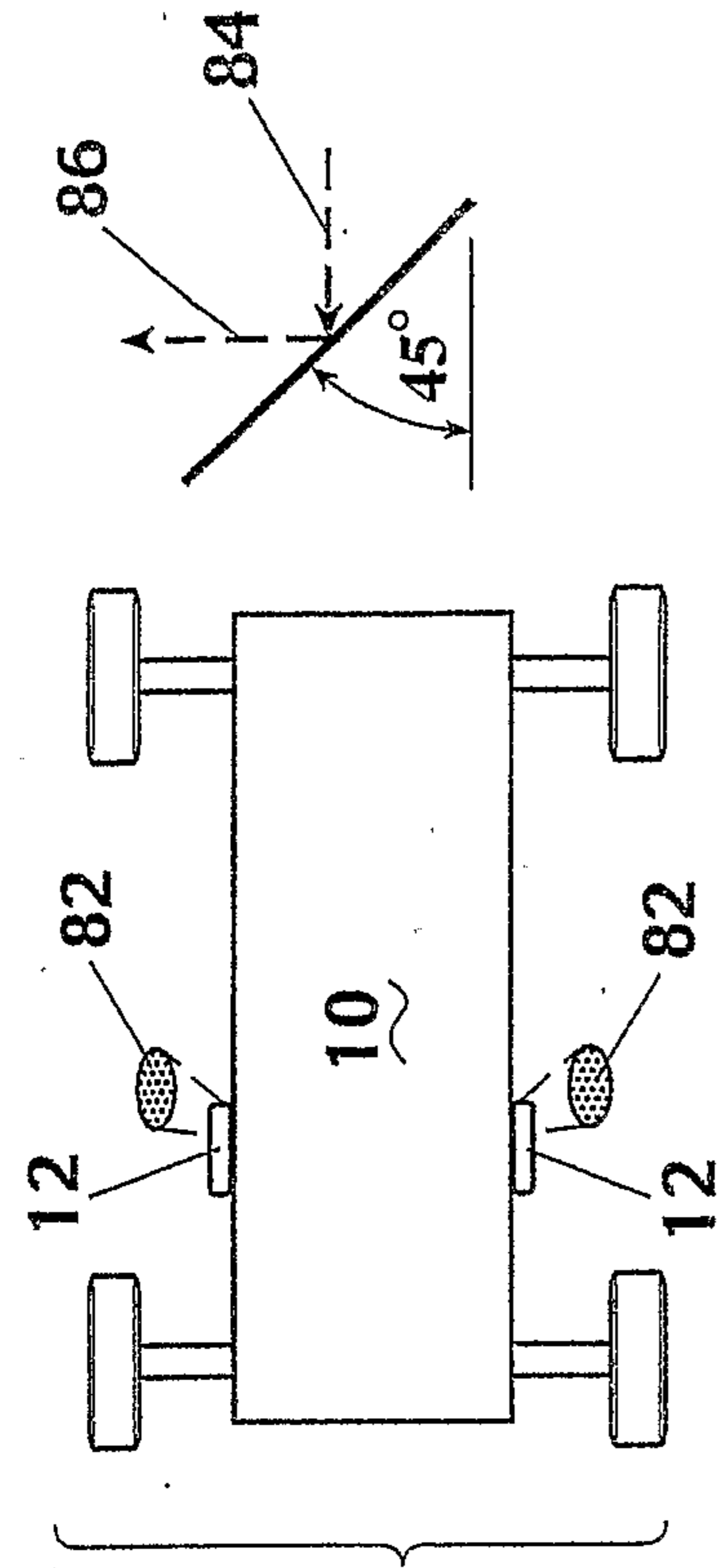


Fig. 15

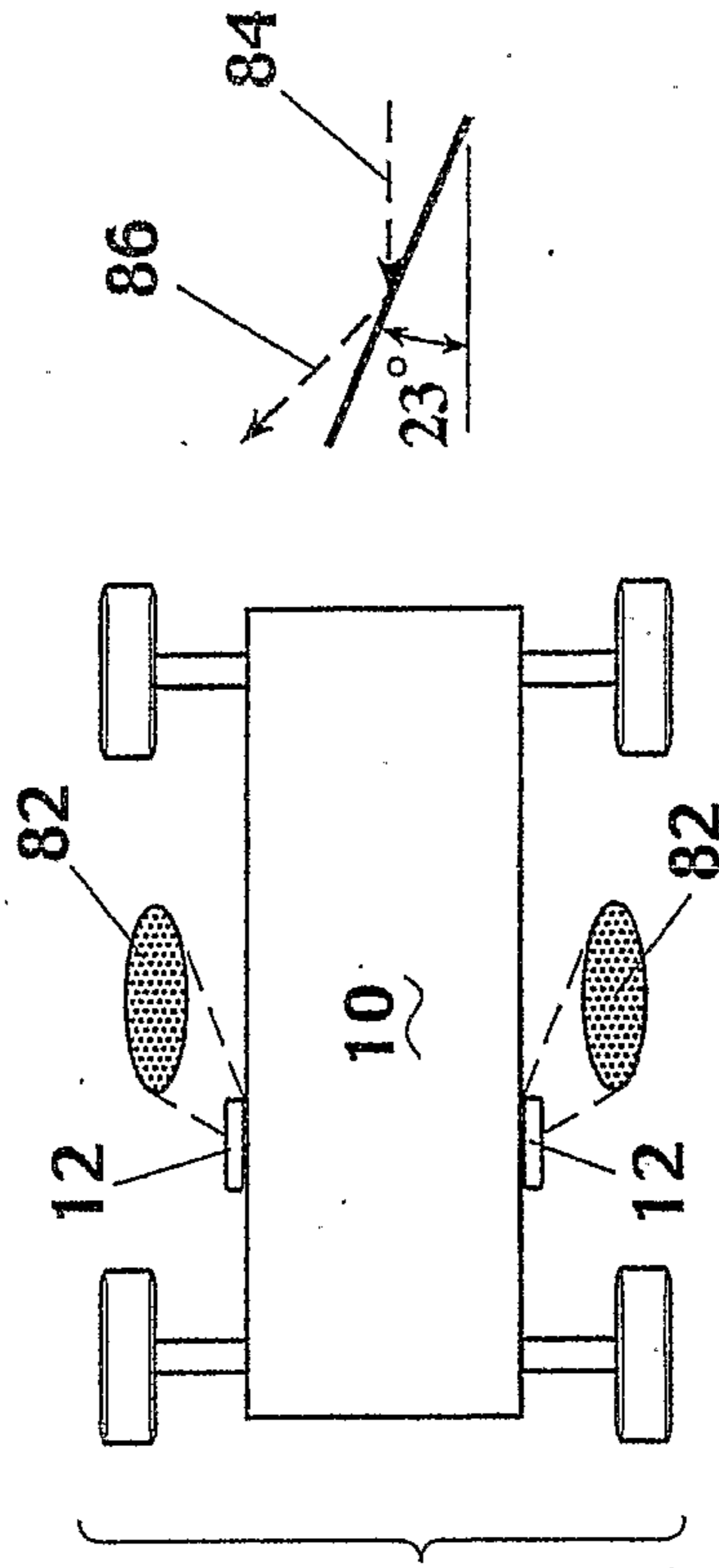


Fig. 16

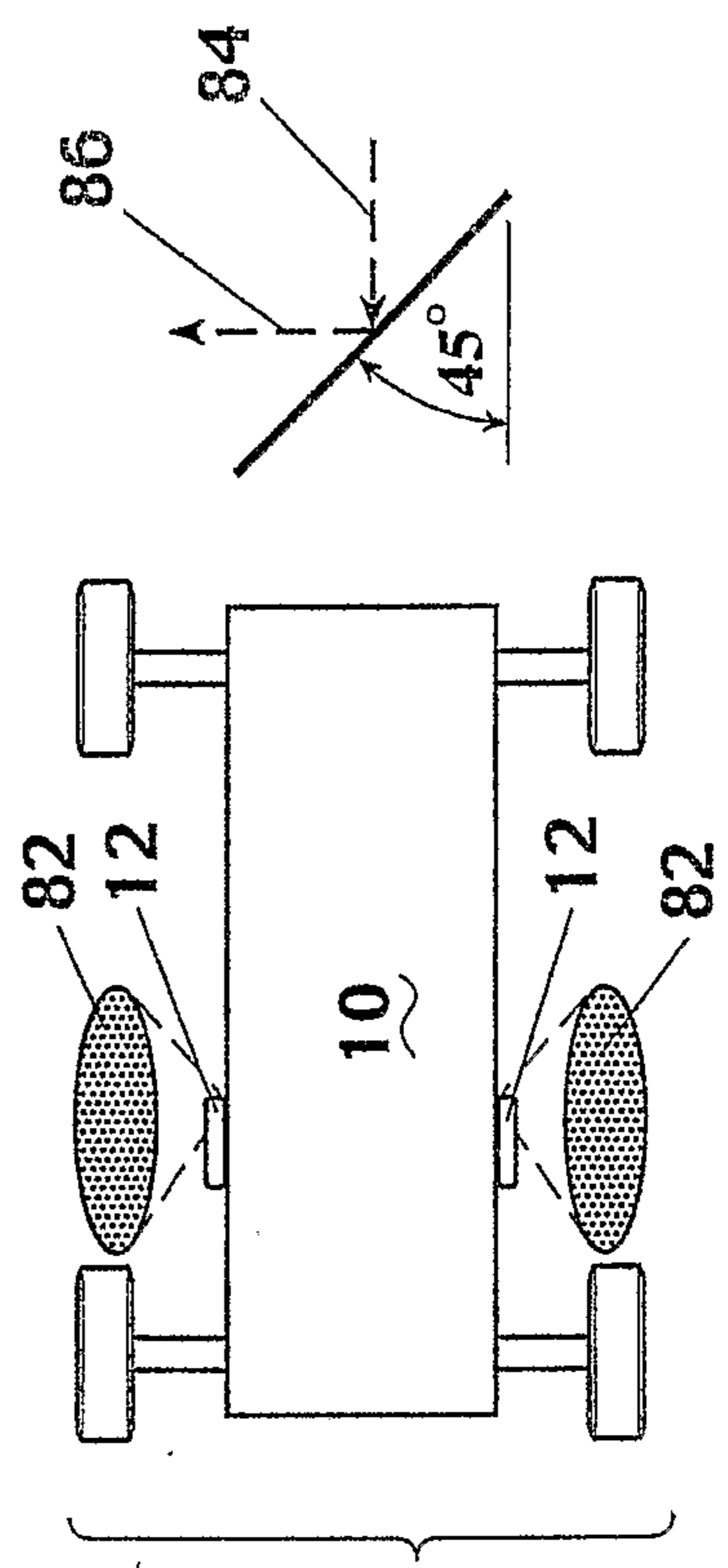


Fig. 17

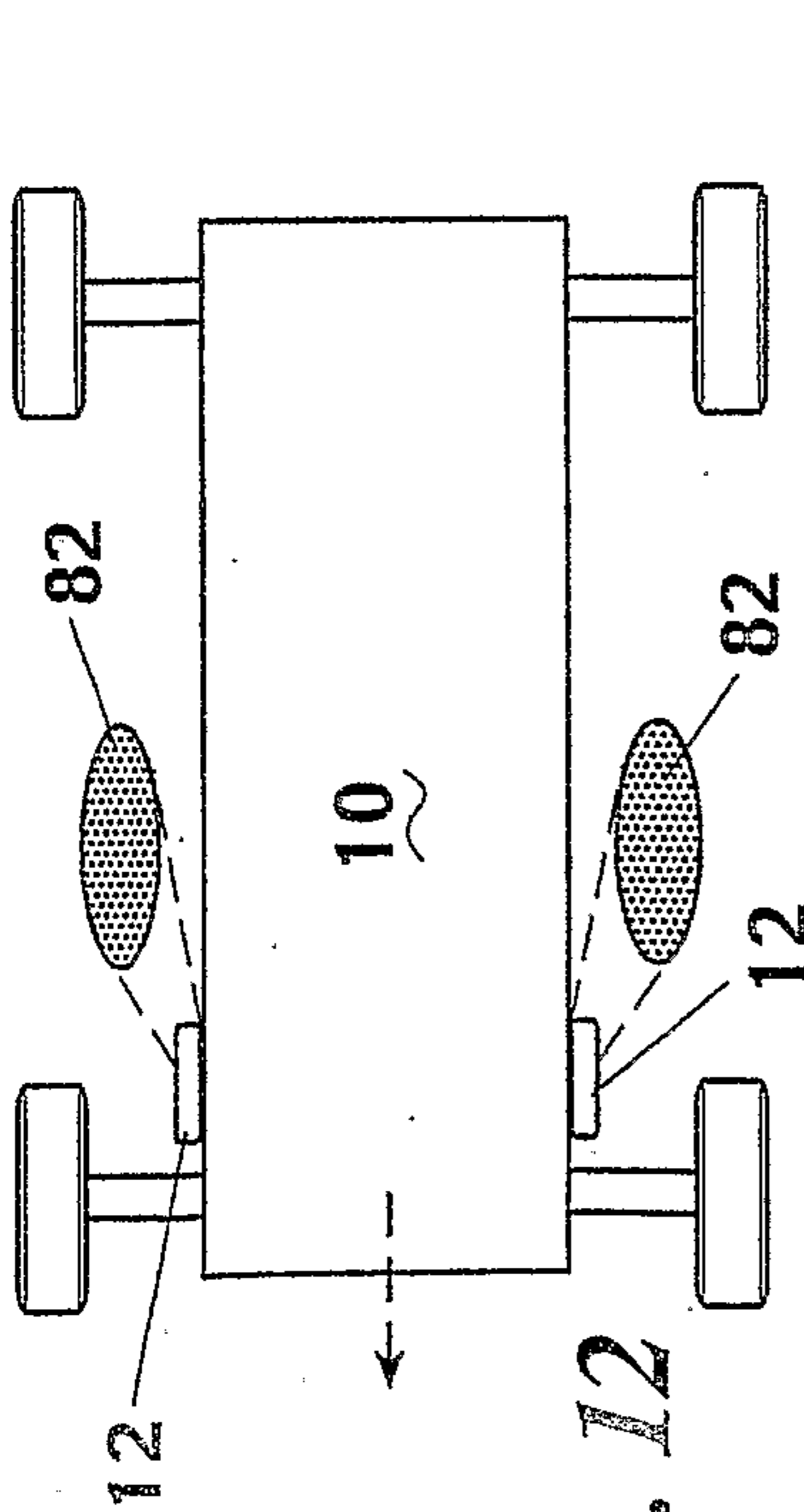


Fig. 12

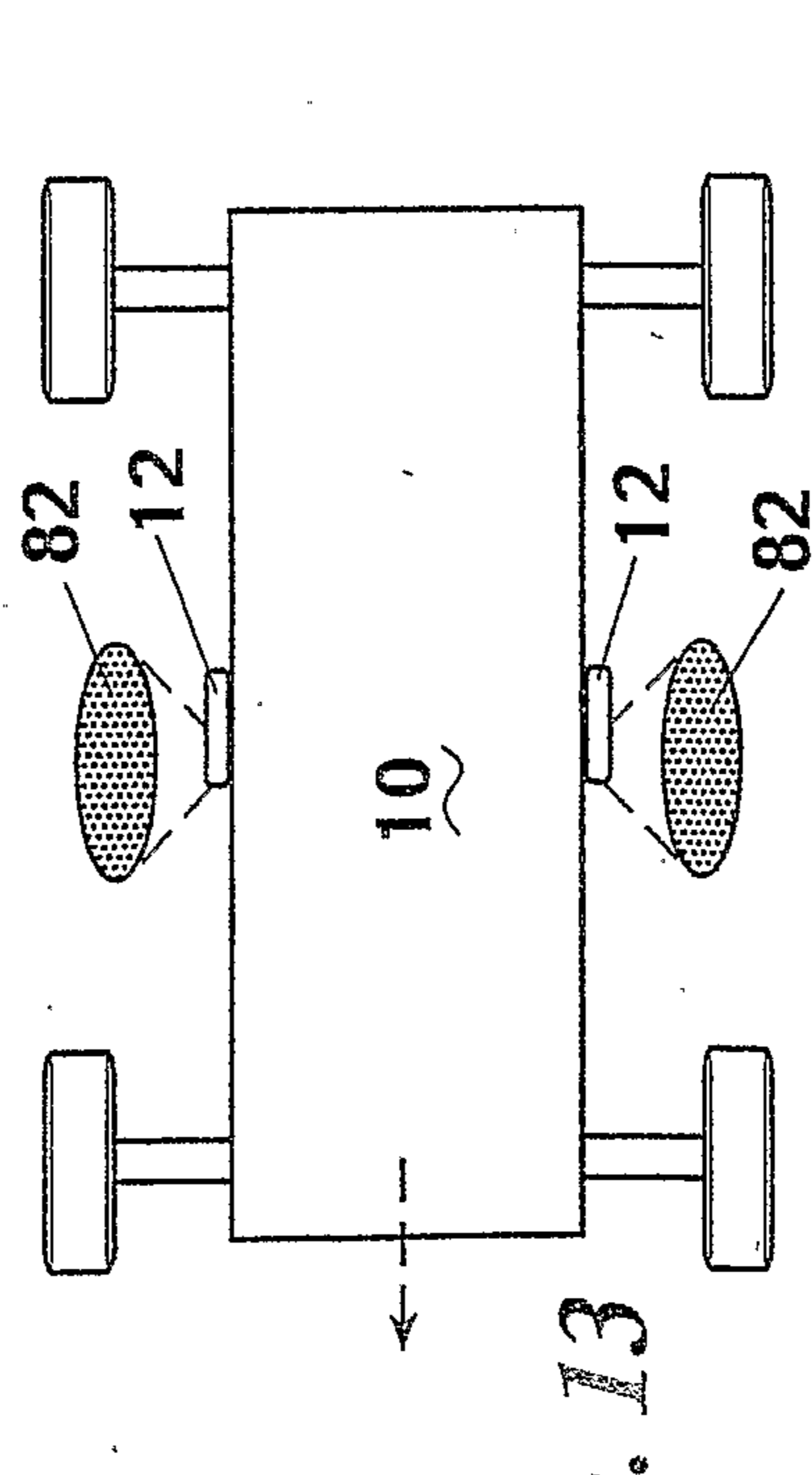


Fig. 13

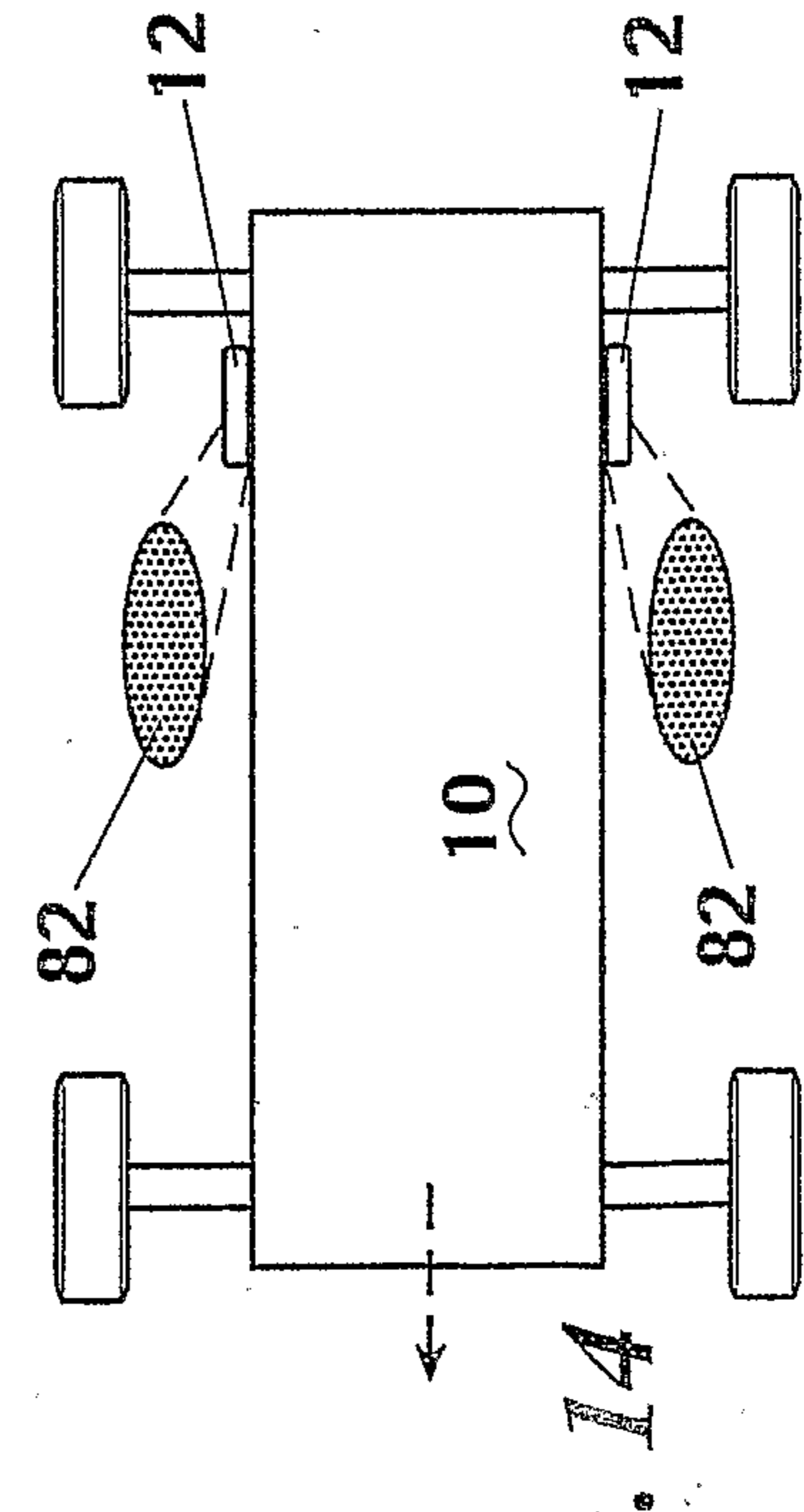


Fig. 14

