



(12) **United States Design Patent**  
**Tian**

(10) **Patent No.:** **US D1,069,062 S**  
(45) **Date of Patent:** **\*\* Apr. 1, 2025**

(54) **CAR AIR VENT OUTLET COVER**

OTHER PUBLICATIONS

- (71) Applicant: **Shenzhen Zhengtu Auto Accessories Co., Ltd.**, Shenzhen (CN)
- (72) Inventor: **Xin Tian**, Shenzhen (CN)
- (73) Assignee: **SHENZHEN ZHENG TU AUTO ACCESSORIES CO., LTD.**, Shenzhen (CN)
- (\*\*) Term: **15 Years**
- (21) Appl. No.: **29/856,838**

[HTHE], available in amazon.com, announced Dec. 16, 2023 [online], [site visited Jan. 3, 2024], Internet URL: <https://www.amazon.com/HTHE-Compatible-Ford-F150-2021/dp/B0CQG136DG/> (Year: 2023).\*

[RAZPOY], available in amazon.com, announced Mar. 17, 2023 [online], [site visited Jan. 3, 2024], Internet URL: <https://www.amazon.com/RAZPOY-Conditioning-Outlet-Adjustment-Trim/dp/B0BYRNJY4M/> (Year: 2023).\*

[RTTCZ], available in amazon.com, announced Jun. 13, 2023 [online], [site visited Jan. 3, 2024], Internet URL: <https://www.amazon.com/RT-TCZ-Conditioner-Adjustment-Decoration-Accessories/dp/B0C7V1GV7S?th=1> (Year: 2023).\*

[JWWY], available in amazon.com, announced Apr. 19, 2023 [online], [site visited Jan. 3, 2024], Internet URL: <https://www.amazon.com/JWWY-Conditioning-Adjustment-Decoration-Accessories/dp/B0C2YXKLR7/> (Year: 2023).\*

- (22) Filed: **Oct. 18, 2022**
- (51) **LOC (15) Cl.** ..... **23-04**
- (52) **U.S. Cl.**
- USPC ..... **D23/324**
- (58) **Field of Classification Search**
- USPC ..... D23/324, 325, 351, 354, 386, 387
- CPC .. F24F 13/20; F24F 13/00; F24F 13/08; F24F 13/082; F24F 1/56; F24F 2221/52; F24F 1/58

\* cited by examiner

*Primary Examiner* — George J Ulsh  
*Assistant Examiner* — Jihyung Yoon

See application file for complete search history.

(56) **References Cited**

U.S. PATENT DOCUMENTS

D259,138 S *	5/1981	Giles .....	D23/373
D284,025 S *	5/1986	Armstrong .....	D23/325
D460,165 S *	7/2002	Hanson .....	D23/325
D662,870 S *	7/2012	Russ .....	D12/404
D700,308 S *	2/2014	Saitou .....	D23/351
D716,925 S *	11/2014	Bergin .....	D23/325
D723,674 S *	3/2015	Zaari .....	D23/323
D862,668 S *	10/2019	Moseley .....	D23/325
D915,572 S *	4/2021	Fujioka .....	D23/351
D1,035,066 S *	7/2024	Tian .....	D26/139

FOREIGN PATENT DOCUMENTS

CN	307828926	*	2/2023
CN	307853275	*	2/2023

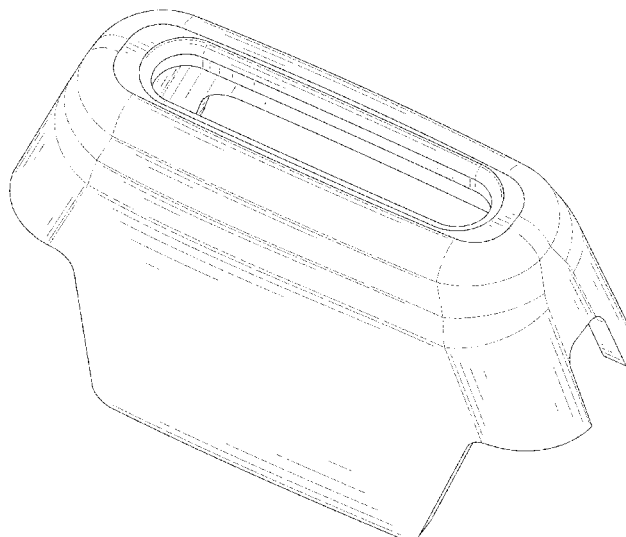
(57) **CLAIM**

The ornamental design for a car air vent outlet cover as shown and described.

**DESCRIPTION**

FIG. 1 is a perspective view of a car air vent outlet cover showing my new design;  
FIG. 2 is another perspective view thereof;  
FIG. 3 is a front elevational view thereof;  
FIG. 4 is a rear elevational view thereof;  
FIG. 5 is a left side elevational view thereof;  
FIG. 6 is a right side elevational view thereof;  
FIG. 7 is a top plan view thereof; and,  
FIG. 8 is a bottom plan view thereof.

**1 Claim, 8 Drawing Sheets**



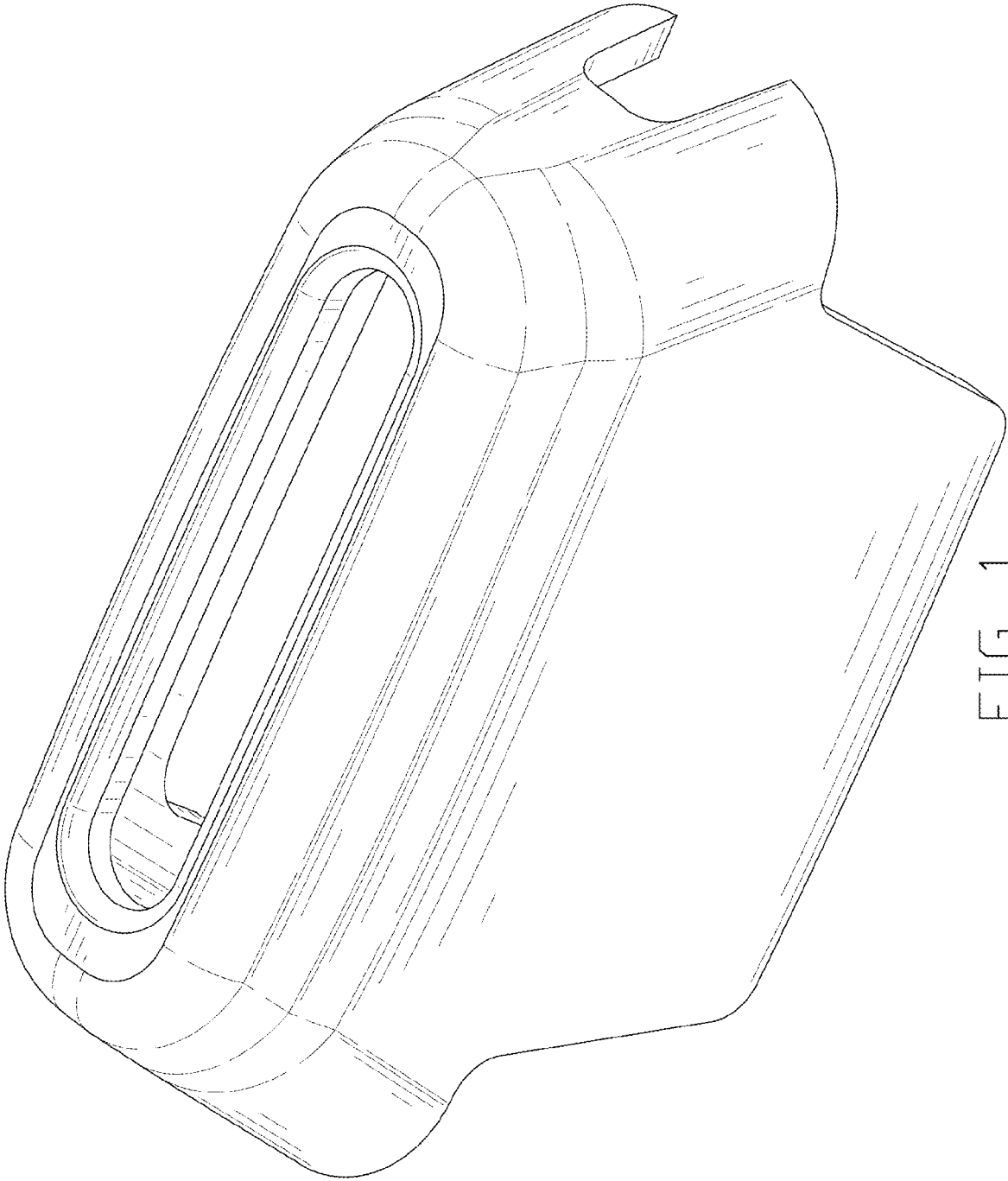


FIG. 1

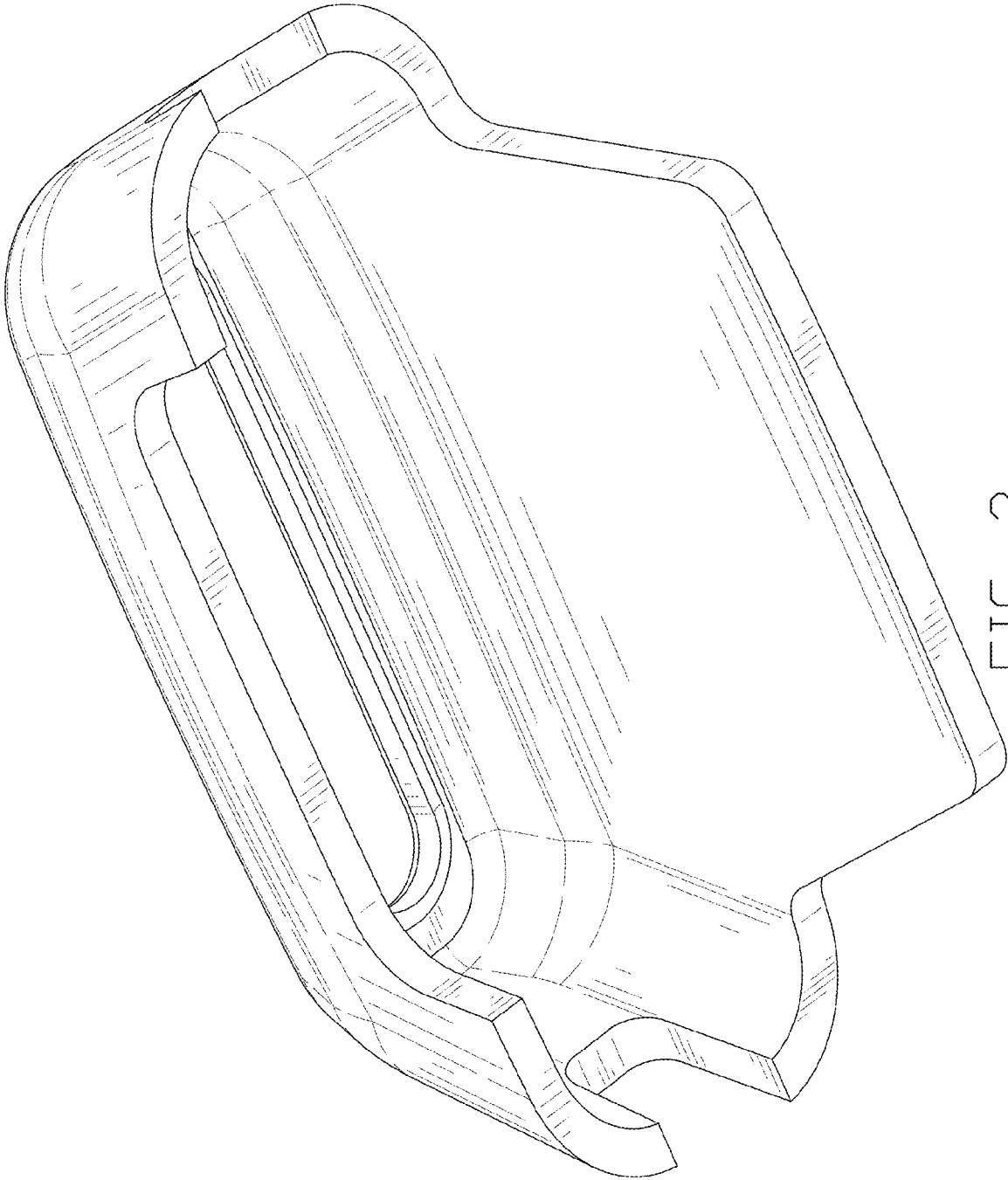


FIG. 2

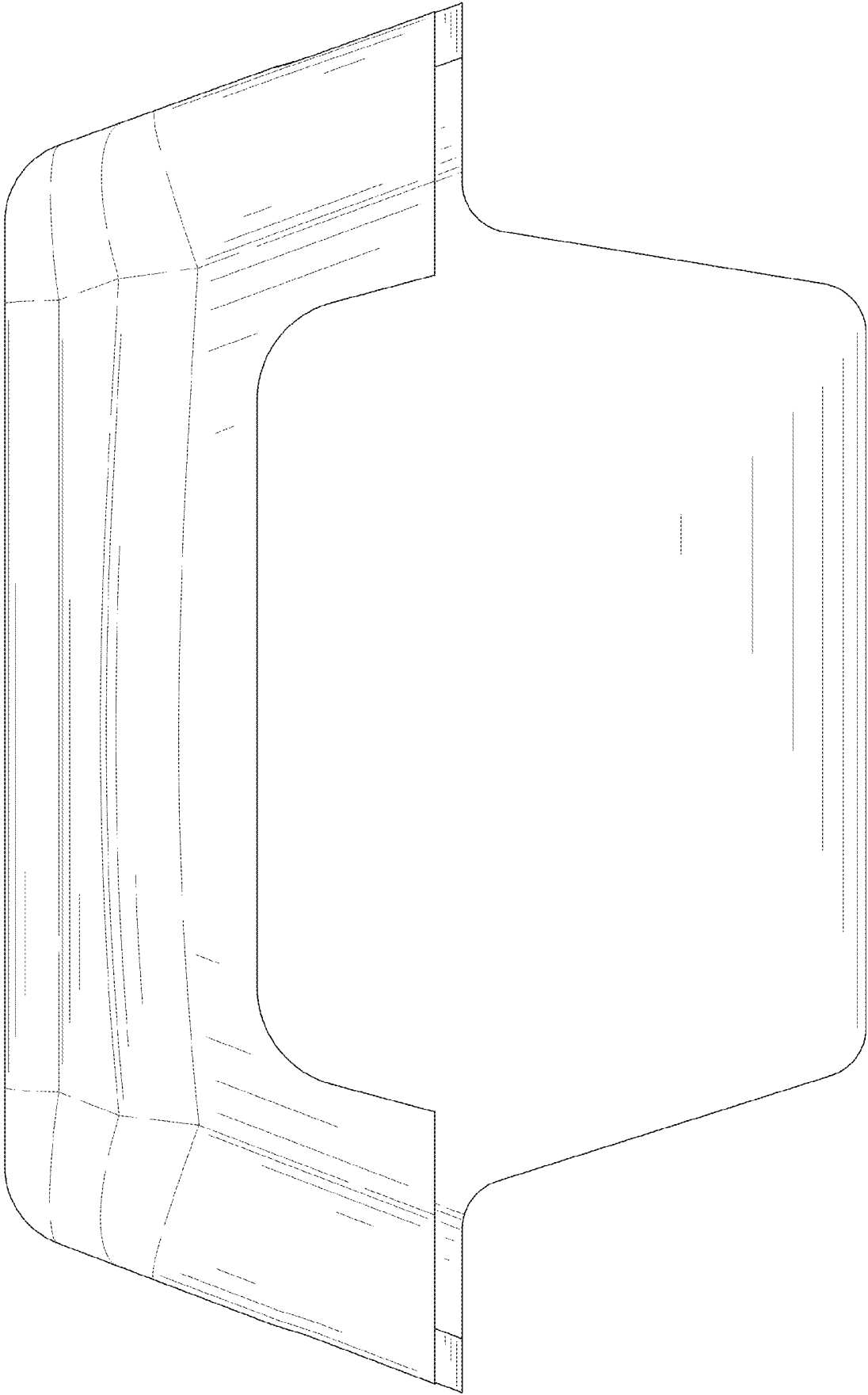


FIG. 3

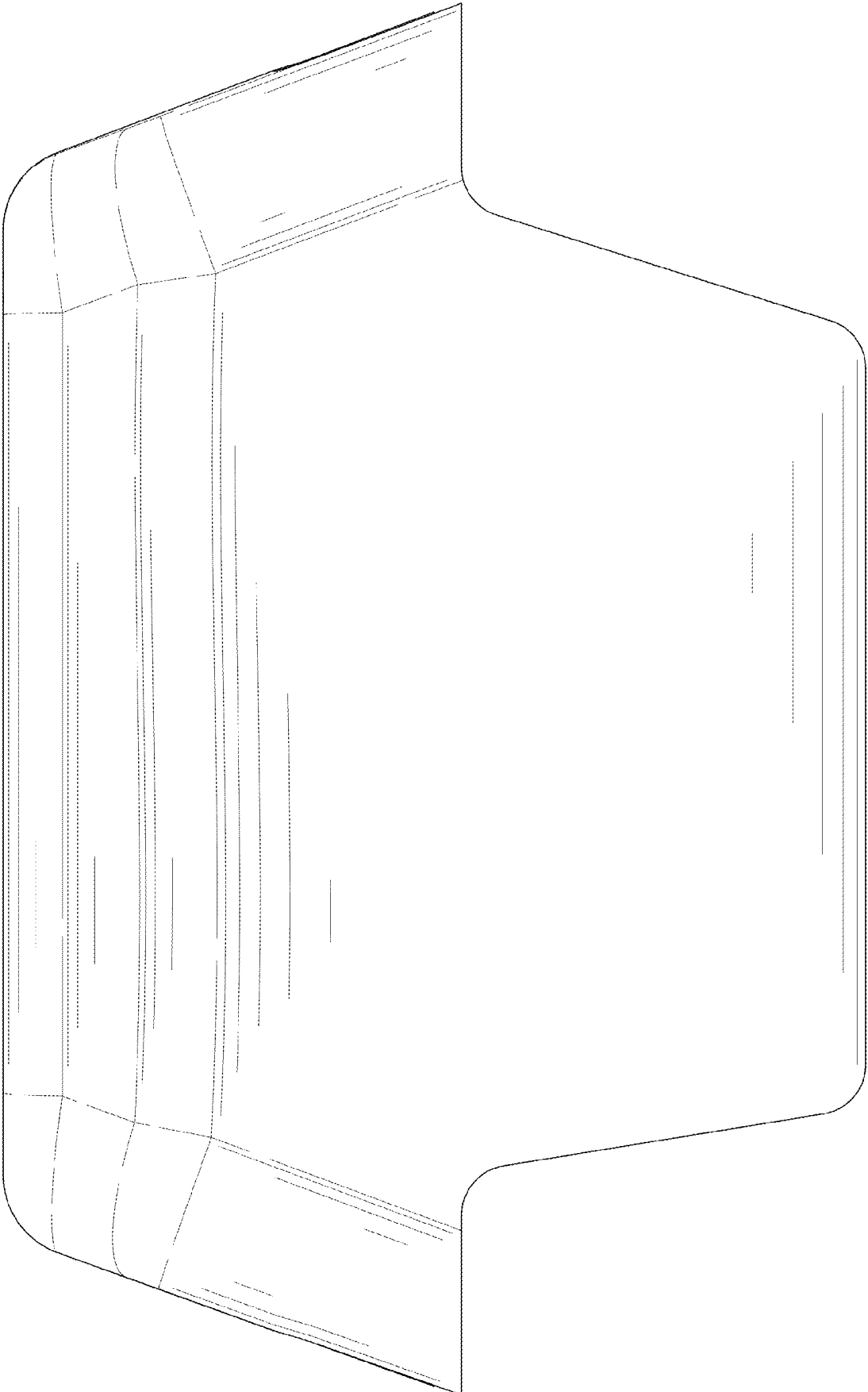


FIG. 4

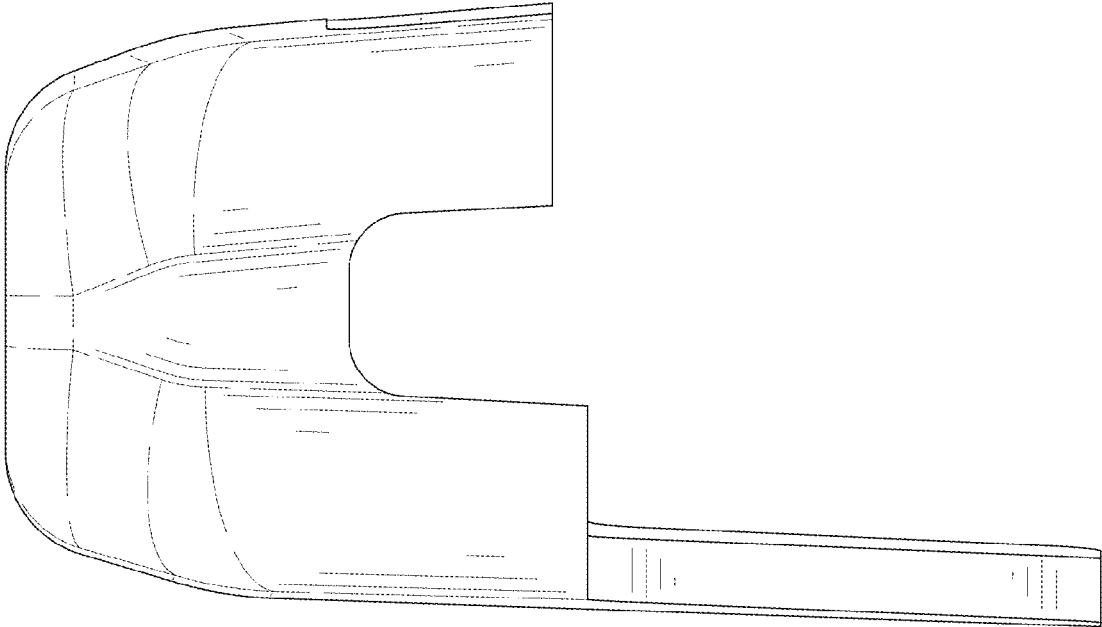


FIG. 5

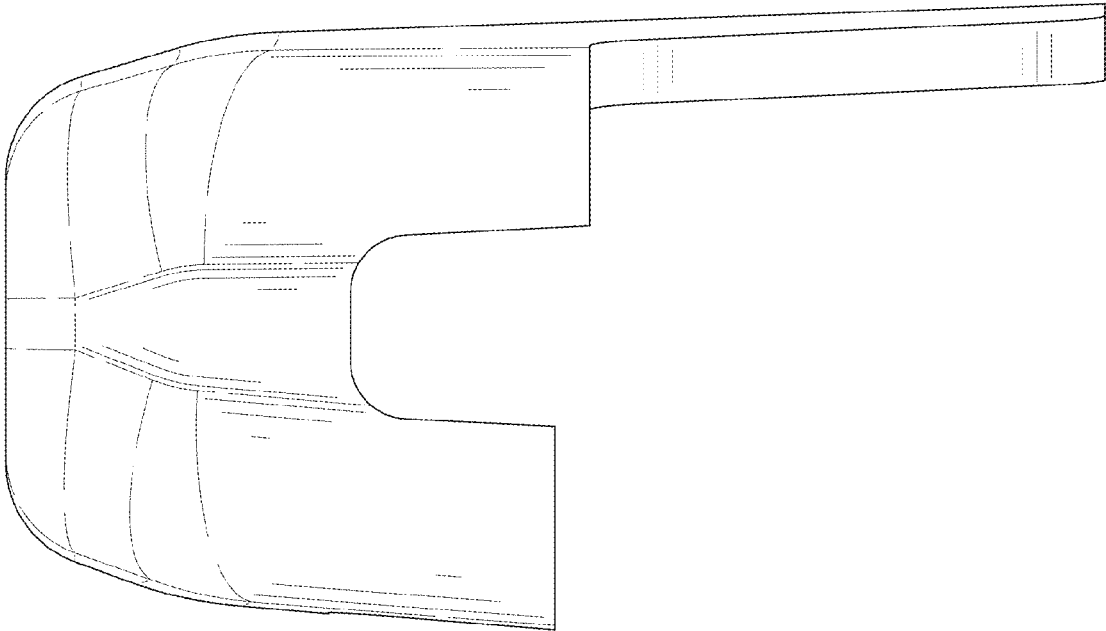


FIG. 6

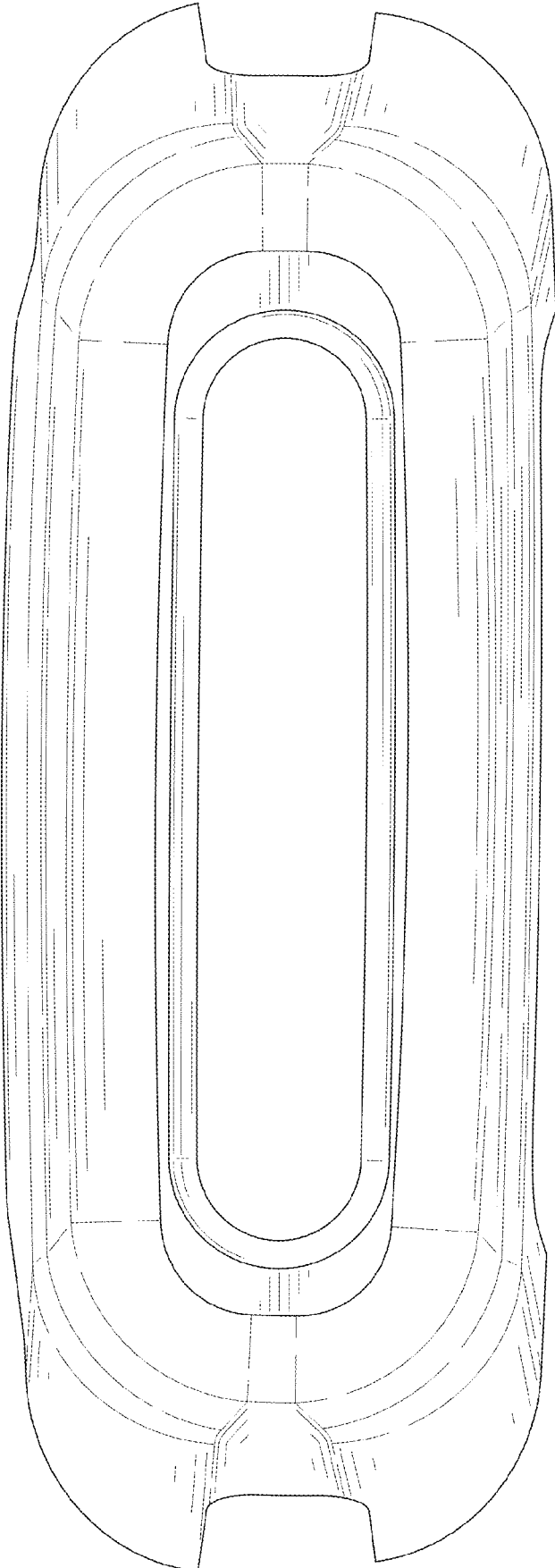


FIG. 7

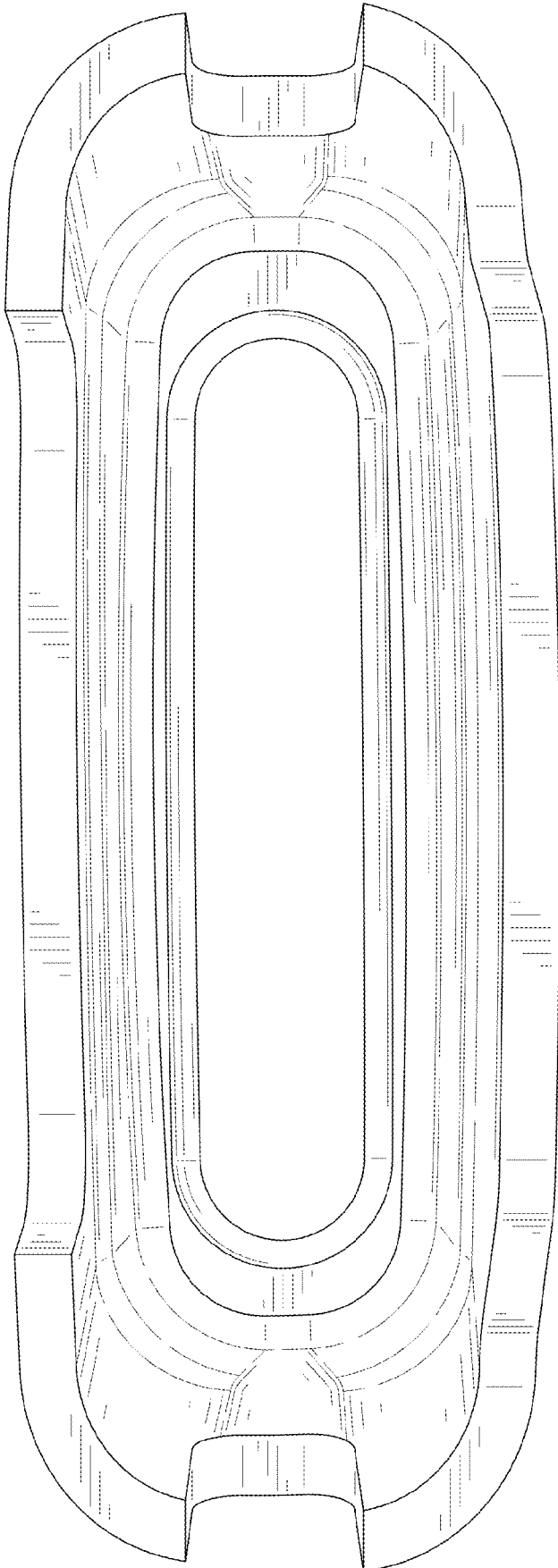


FIG. 8