

(19) World Intellectual Property Organization
International Bureau



(43) International Publication Date
26 June 2003 (26.06.2003)

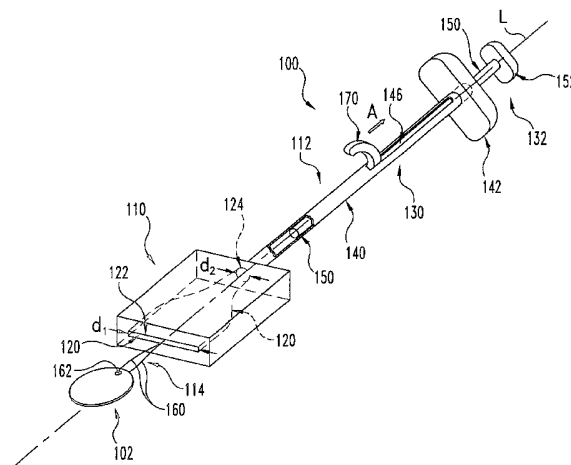
PCT

(10) International Publication Number
WO 03/051212 A3

- (51) International Patent Classification⁷: **A61B 17/70**
- (21) International Application Number: PCT/US02/39712
- (22) International Filing Date:
12 December 2002 (12.12.2002)
- (25) Filing Language: English
- (26) Publication Language: English
- (30) Priority Data:
60/341,343 13 December 2001 (13.12.2001) US
- (71) Applicant (for all designated States except US): **SDGI HOLDINGS, INC.** [US/US]; 300 Delaware Avenue, Suite 508, Wilmington, DE 19801 (US).
- (72) Inventors; and
- (75) Inventors/Applicants (for US only): **LI, Lehmann, K.** [US/US]; 716 E. Broadway, Milford, CT 06460 (US). **LI, Rhodemann** [US/US]; 100 Old King's Highway North, Darien, CT 06820 (US).
- (74) Agents: **SCHEPERS, Brad, A.** et al.; Woodard, Emhardt, Naughton, Moriarty & McNett, Bank One Center/Tower, Suite 3700, 111 Monument Circle, Indianapolis, IN 46204 (US).
- (81) Designated States (national): AE, AG, AL, AM, AT, AU, AZ, BA, BB, BG, BR, BY, BZ, CA, CH, CN, CO, CR, CU, CZ, DE, DK, DM, DZ, EC, EE, ES, FI, GB, GD, GE, GH, GM, HR, HU, ID, IL, IN, IS, JP, KE, KG, KP, KR, KZ, LC, LK, LR, LS, LT, LU, LV, MA, MD, MG, MK, MN, MW, MX, MZ, NO, NZ, OM, PH, PL, PT, RO, RU, SC, SD, SE, SG, SK, SL, TJ, TM, TN, TR, TT, TZ, UA, UG, US, UZ, VC, VN, YU, ZA, ZM, ZW.
- (84) Designated States (regional): ARIPO patent (GH, GM, KE, LS, MW, MZ, SD, SL, SZ, TZ, UG, ZM, ZW), Eurasian patent (AM, AZ, BY, KG, KZ, MD, RU, TJ, TM), European patent (AT, BE, BG, CH, CY, CZ, DE, DK, EE, ES, FI, FR, GB, GR, IE, IT, LU, MC, NL, PT, SE, SI, SK, TR), OAPI patent (BF, BJ, CF, CG, CI, CM, GA, GN, GQ, GW, ML, MR, NE, SN, TD, TG).
- Published:
— with international search report
- (88) Date of publication of the international search report:
16 October 2003

[Continued on next page]

(54) Title: INSTRUMENTATION AND METHOD FOR DELIVERING AN IMPLANT INTO A VERTEBRAL SPACE



(57) Abstract: Instrumentation (60, 100) and method for delivering an implant (50, 90, 90', 102, 102') into an intervertebral disc space (S), including a die member (70, 110) configured to transition the implant (50, 90, 90', 102, 102') from an initial configuration to a deformed configuration having a reduced lateral profile suitable for insertion into the intervertebral disc space (S) in a minimally invasive manner. In one embodiment, the die member (70, 110) includes an opening (72, 120) sized to receive the implant (50, 90, 90', 102, 102') while in the initial configuration, and wherein relative displacement between the implant (50, 90, 90', 102, 102') and the die member (70, 110) causes the implant (50, 90, 90', 102, 102') to transition toward the reduced-profile deformed configuration. In a specific embodiment, the opening comprises an axial passage (120) including a first portion (122) having a substantially rectangular cross-section corresponding to a substantially planar initial configuration of the implant (50, 90, 90', 102, 102'), and a second portion (124) having a substantially circular cross-section corresponding to a substantially cylindrical deformed configuration of the implant (50, 90, 90', 102, 102').



WO 03/051212 A3



For two-letter codes and other abbreviations, refer to the "Guidance Notes on Codes and Abbreviations" appearing at the beginning of each regular issue of the PCT Gazette.

INTERNATIONAL SEARCH REPORT

International application No.

PCT/US02/39712

A. CLASSIFICATION OF SUBJECT MATTER

IPC(7) : A61B 17/70
 US CL : 606/61

According to International Patent Classification (IPC) or to both national classification and IPC

B. FIELDS SEARCHED

Minimum documentation searched (classification system followed by classification symbols)
 U.S. : 606/61,107;623/1.11,17.11,17.16;72/274

Documentation searched other than minimum documentation to the extent that such documents are included in the fields searched

Electronic data base consulted during the international search (name of data base and, where practicable, search terms used)
 Please See Continuation Sheet

C. DOCUMENTS CONSIDERED TO BE RELEVANT

Category *	Citation of document, with indication, where appropriate, of the relevant passages	Relevant to claim No.
Y	WO 00/64385 A1 (Li et al) 02 November 2000, see entire document.	24,49,50-62
---		-----
A		30-33,63
A	US 6,280,449 B1 (Blake) 28 August 2001, Figs. 18a,19.	1,3-7,15-25,29,34-44,46-53,56-61
X	US 4,573,998 A (Mazzocco) 04 March 1986, Figs. 43-47, col. 9, lines 55,56, col. 11, lines 35-65.	1,3-7,15-23,25-29,34,35-48
---		-----
Y		24,49,50-62

Further documents are listed in the continuation of Box C. See patent family annex.

* Special categories of cited documents:	"T" later document published after the international filing date or priority date and not in conflict with the application but cited to understand the principle or theory underlying the invention
"A" document defining the general state of the art which is not considered to be of particular relevance	"X" document of particular relevance; the claimed invention cannot be considered novel or cannot be considered to involve an inventive step when the document is taken alone
"E" earlier application or patent published on or after the international filing date	"Y" document of particular relevance; the claimed invention cannot be considered to involve an inventive step when the document is combined with one or more other such documents, such combination being obvious to a person skilled in the art
"L" document which may throw doubts on priority claim(s) or which is cited to establish the publication date of another citation or other special reason (as specified)	"&" document member of the same patent family
"O" document referring to an oral disclosure, use, exhibition or other means	
"P" document published prior to the international filing date but later than the priority date claimed	

Date of the actual completion of the international search 04 April 2003 (04.04.2003)	Date of mailing of the international search report 15 MAY 2003
---	--

Name and mailing address of the ISA/US Commissioner of Patents and Trademarks Box PCT Washington, D.C. 20231 Facsimile No. (703)305-3230	Authorized officer Brian Pellegrino <i>Diane Smith</i> Telephone No. 703-306-5899
--	---

INTERNATIONAL SEARCH REPORT

PCT/US02/39712

Continuation of B. FIELDS SEARCHED Item 3:

WEST

search terms: die, implant, prosthesis, cannula, deform, reshape, pulling, rolling, folding, curling