



- (51) International Patent Classification:
A01M 23/24 (2006.01) A01M 23/30 (2006.01)
- (21) International Application Number:
PCT/US2019/014548
- (22) International Filing Date:
22 January 2019 (22.01.2019)
- (25) Filing Language: English
- (26) Publication Language: English
- (30) Priority Data:
15/875,078 19 January 2018 (19.01.2018) US
- (72) Inventor; and
(71) Applicant: **THERIAULT, Dennis** [US/US].
- (74) Agent: **KEOWN, Wayne**; Verrill Dana LLP, One Portland Square, Portland, ME 04101 (US).
- (81) Designated States (*unless otherwise indicated, for every kind of national protection available*): AE, AG, AL, AM,

AO, AT, AU, AZ, BA, BB, BG, BH, BN, BR, BW, BY, BZ, CA, CH, CL, CN, CO, CR, CU, CZ, DE, DJ, DK, DM, DO, DZ, EC, EE, EG, ES, FI, GB, GD, GE, GH, GM, GT, HN, HR, HU, ID, IL, IN, IR, IS, JO, JP, KE, KG, KH, KN, KP, KR, KW, KZ, LA, LC, LK, LR, LS, LU, LY, MA, MD, ME, MG, MK, MN, MW, MX, MY, MZ, NA, NG, NI, NO, NZ, OM, PA, PE, PG, PH, PL, PT, QA, RO, RS, RU, RW, SA, SC, SD, SE, SG, SK, SL, SM, ST, SV, SY, TH, TJ, TM, TN, TR, TT, TZ, UA, UG, US, UZ, VC, VN, ZA, ZM, ZW.

(84) Designated States (*unless otherwise indicated, for every kind of regional protection available*): ARIPO (BW, GH, GM, KE, LR, LS, MW, MZ, NA, RW, SD, SL, ST, SZ, TZ, UG, ZM, ZW), Eurasian (AM, AZ, BY, KG, KZ, RU, TJ, TM), European (AL, AT, BE, BG, CH, CY, CZ, DE, DK, EE, ES, FI, FR, GB, GR, HR, HU, IE, IS, IT, LT, LU, LV, MC, MK, MT, NL, NO, PL, PT, RO, RS, SE, SI, SK, SM, TR), OAPI (BF, BJ, CF, CG, CI, CM, GA, GN, GQ, GW, KM, ML, MR, NE, SN, TD, TG).

(54) Title: DEVICE FOR TRAPPING AND KILLING RODENTS

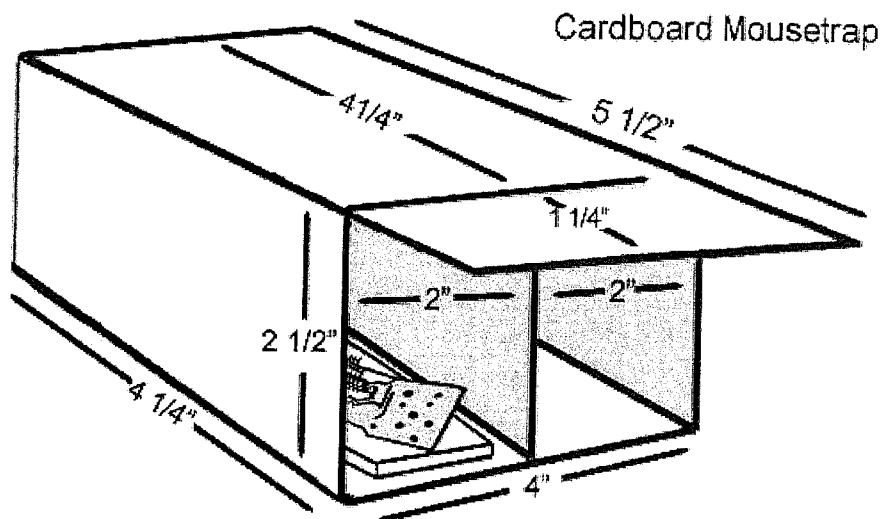


FIGURE 1

(57) Abstract: The invention provides a device for trapping and killing rodents comprising one to a plurality of rectangular box shaped enclosures containing rodent snap traps having spring-loaded bars, the enclosure having a height, a width and a length, wherein the length and width are adapted to the length and width of a rodent snap trap, and wherein the height is adapted to accommodate the spring loaded bar closing within the enclosure, and wherein the enclosure has a front end and a back end, wherein the back end is closed and the front end is fully open, and wherein the open front end has a spacer having a length adapted to place the open ends of the enclosures at a distance from a wall that is sufficient for a rodent to pass between the wall and enter the enclosures.



Published:

- *with international search report (Art. 21(3))*
- *before the expiration of the time limit for amending the claims and to be republished in the event of receipt of amendments (Rule 48.2(h))*

(88) Date of publication of the international search report:

03 October 2019 (03.10.2019)

INTERNATIONAL SEARCH REPORT

International application No.

PCT/US19/14548

A. CLASSIFICATION OF SUBJECT MATTER

IPC - A01M 23/24, 23/30 (2019.01)

CPC - A01M 23/245, 23/30

According to International Patent Classification (IPC) or to both national classification and IPC

B. FIELDS SEARCHED

Minimum documentation searched (classification system followed by classification symbols)
See Search History document

Documentation searched other than minimum documentation to the extent that such documents are included in the fields searched
See Search History document

Electronic data base consulted during the international search (name of data base and, where practicable, search terms used)
See Search History document

C. DOCUMENTS CONSIDERED TO BE RELEVANT

Category*	Citation of document, with indication, where appropriate, of the relevant passages	Relevant to claim No.
X	US 1,218,406 A (JACKSON WH) 6 March 1917; figures 1-3; page 1, lines 5-10, 55-60	1-5
---		---
Y		6-11
Y	US 6,442,889 B1 (LEE EW) 3 September 2002; column 1, lines 20-25	6
Y	US 2008/0204253 A1 (COTTEE PK et al.) 28 August 2008; paragraph [0079]	7
Y	US 2008/0264344 A1 (WOOD B et al.) 30 October 2008; paragraph [0015]	8
Y	US 2,278,117 A (PERINELLI N) 31 March 1942; page 1, column 1, lines 35-40	9
Y	US 5,398,442 A (MUSKET DC) 21 March 1995; figures 1A, 2; column 1, lines 30-45	10, 11
A	US 5,572,825 A (GEHRET MJ) 12 November 1996; entire document	1-11
A	US 1,792,774 A (SNIDER SA) 17 February 1931; entire document	1-11
A	US 4,030,230 A (SOUZA AJ) 21 June 1977; entire document	1-11
A	US 2006/0005461 A1 (VIEIRA JS) 12 January 2006; entire document	1-11

Further documents are listed in the continuation of Box C. See patent family annex.

* Special categories of cited documents:	"T" later document published after the international filing date or priority date and not in conflict with the application but cited to understand the principle or theory underlying the invention
"A" document defining the general state of the art which is not considered to be of particular relevance	"X" document of particular relevance; the claimed invention cannot be considered novel or cannot be considered to involve an inventive step when the document is taken alone
"D" document cited by the applicant in the international application	"Y" document of particular relevance; the claimed invention cannot be considered to involve an inventive step when the document is combined with one or more other such documents, such combination being obvious to a person skilled in the art
"E" earlier application or patent but published on or after the international filing date	"&" document member of the same patent family
"L" document which may throw doubts on priority claim(s) or which is cited to establish the publication date of another citation or other special reason (as specified)	
"O" document referring to an oral disclosure, use, exhibition or other means	
"P" document published prior to the international filing date but later than the priority date claimed	

Date of the actual completion of the international search
23 July 2019 (23.07.2019)

Date of mailing of the international search report

09 AUG 2019

Name and mailing address of the ISA/US
Mail Stop PCT, Attn: ISA/US, Commissioner for Patents
P.O. Box 1450, Alexandria, Virginia 22313-1450
Facsimile No. 571-273-8300

Authorized officer

Shane Thomas

Telephone No. PCT Helpdesk: 571-272-4300