



US00D760080S

(12) **United States Design Patent**
Gorbold

(10) **Patent No.:** **US D760,080 S**

(45) **Date of Patent:** **** Jun. 28, 2016**

(54) **SPORTS BOTTLE CAP**
(71) Applicant: **Steel Technology, LLC**, Bend, OR (US)
(72) Inventor: **Timothy Dryden Gorbold**, Bend, OR (US)
(73) Assignee: **Steel Technology, LLC**, Bend, OR (US)
(**) Term: **14 Years**

(21) Appl. No.: **29/498,619**
(22) Filed: **Aug. 5, 2014**
(51) **LOC (10) Cl.** **09-07**
(52) **U.S. Cl.**
USPC **D9/443**

(58) **Field of Classification Search**
USPC D9/434-436, 438, 443-450, 452-454, D9/499; D7/387, 392, 393, 396.2, 510, D7/511; D3/202, 294, 318; 215/28, 41, 215/201, 216, 224, 230, 235, 237, 243, 249, 215/256, 306, 316, 317, 396; 220/252, 220/254.1, 254.2-254.4, 258.2, 263, 367.1, 220/375, 711, 724, 730, 731, 837, 847; 222/109, 153.1, 153.11, 153.14, 464.1, 222/498, 546, 547, 562, 565, 566, 570, 621
CPC A61J 1/1412; B65D 1/02; B65D 1/323; B65D 25/40; B65D 41/56; B65D 41/62; B65D 47/06; B65D 47/08
See application file for complete search history.

(56) **References Cited**
U.S. PATENT DOCUMENTS
D497,283 S 10/2004 Groombridge
D586,184 S * 2/2009 Miller D7/511
D613,110 S * 4/2010 Lane D7/392.1
D614,440 S * 4/2010 Cresswell D7/392.1
D626,837 S * 11/2010 Meyers D9/443
D632,524 S 2/2011 Rosbach et al.
D633,338 S 3/2011 Rosbach et al.
D652,256 S 1/2012 Eyal

D654,793 S * 2/2012 Rosbach D9/436
D660,487 S 5/2012 Wu
D669,354 S 10/2012 Davis et al.
D669,732 S * 10/2012 Hopkins D7/392.1
D672,238 S * 12/2012 Aziz D7/510
D679,541 S 4/2013 Samartgis
D680,805 S 4/2013 Rosbach
D683,581 S * 6/2013 Archer D7/392.1

(Continued)

OTHER PUBLICATIONS

“CamelBak eddy Insulated .6L Black”. Found online Aug. 26, 2015 at amazon.com. Page dated Apr. 11, 2012. Retrieved from http://www.amazon.com/CamelBak-eddy-Insulated-6L-Black/dp/B006ZT9E1Q/ref=cm_cr_pr_product_top?ie=UTF8.
“Groova Stainless .6L Water Bottle”. Found online Aug. 26, 2015 at shop.camelbak.com. Page dated Nov. 21, 2011. Retrieved from <http://shop.camelbak.com/groove-stainless-6l/d/1206>.

(Continued)

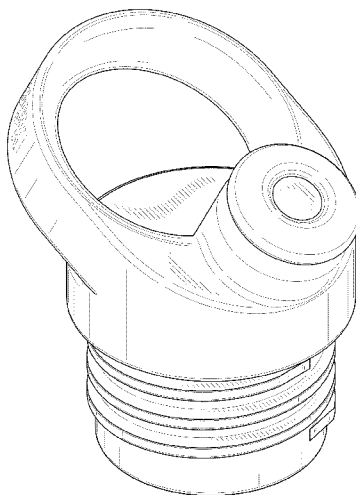
Primary Examiner — Karen S Acker
Assistant Examiner — Wendy Arminio
(74) *Attorney, Agent, or Firm* — Kolisch Hartwell, P.C.

(57) **CLAIM**
What is claimed is the ornamental design for a sports bottle cap, as shown and described.

DESCRIPTION

FIG. 1 is an upper, front, and right side perspective view of a sports bottle cap showing our new design; FIG. 2 is a lower, rear, and left side perspective view thereof; FIG. 3 is a right side view thereof; FIG. 4 is a front view thereof; FIG. 5 is a left side view thereof; FIG. 6 is a rear view thereof; FIG. 7 is a top view thereof; and, FIG. 8 is a bottom view thereof. The broken lines shown in the drawings depict portions of the sports bottle cap that form no part of the claimed design.

1 Claim, 8 Drawing Sheets



(56)

References Cited

U.S. PATENT DOCUMENTS

D688,912	S	9/2013	Rosbach	
D693,170	S	11/2013	Rosbach	
D704,986	S	5/2014	Manies	
D715,146	S	10/2014	Holmes	
D719,444	S *	12/2014	Sullivan	D9/443
D719,780	S *	12/2014	Sullivan	D7/392.1
8,905,252	B2 *	12/2014	Latham	B65D 51/18 215/228
D724,895	S	3/2015	Kawase et al.	
D729,569	S *	5/2015	Herbst	D7/392
D736,562	S *	8/2015	Green	D7/510
D736,622	S	8/2015	Nishijima et al.	
2008/0078200	A1	4/2008	Roth et al.	

OTHER PUBLICATIONS

“Klean Kanteen: The Eco-Friendly Personal Hydration Bottle”. Found online at earthtimes.org. Page dated Jun. 5, 2011. Retrieved from <http://www.earthtimes.org/green-blogs/green-living/klean-kanteen-the-eco-friendly-personal-hydration-bottle-05-Jun-11/>.
 “New Wave Enviro Stainless Steel Water Bottle”. Found online Aug. 26, 2015 at amazon.com. Page dated Jan. 9, 2006. Retrieved from http://www.amazon.com/New-Wave-Enviro-Liter-Blue/dp/B001LNUE4W/ref=cm_cr_pr_product_top?e=UTF8.
 Sep. 10, 2015, Office action from the U.S. Patent and Trademark Office in U.S. Appl. No. 29/513,509, which is another application of applicant Steel Technology, LLC.
 Jan. 13, 2016, Office action from the Taiwanese Patent Office in Taiwan Patent Application No. 104303506, which is a foreign application of applicant Steel Technology, LLC.

* cited by examiner

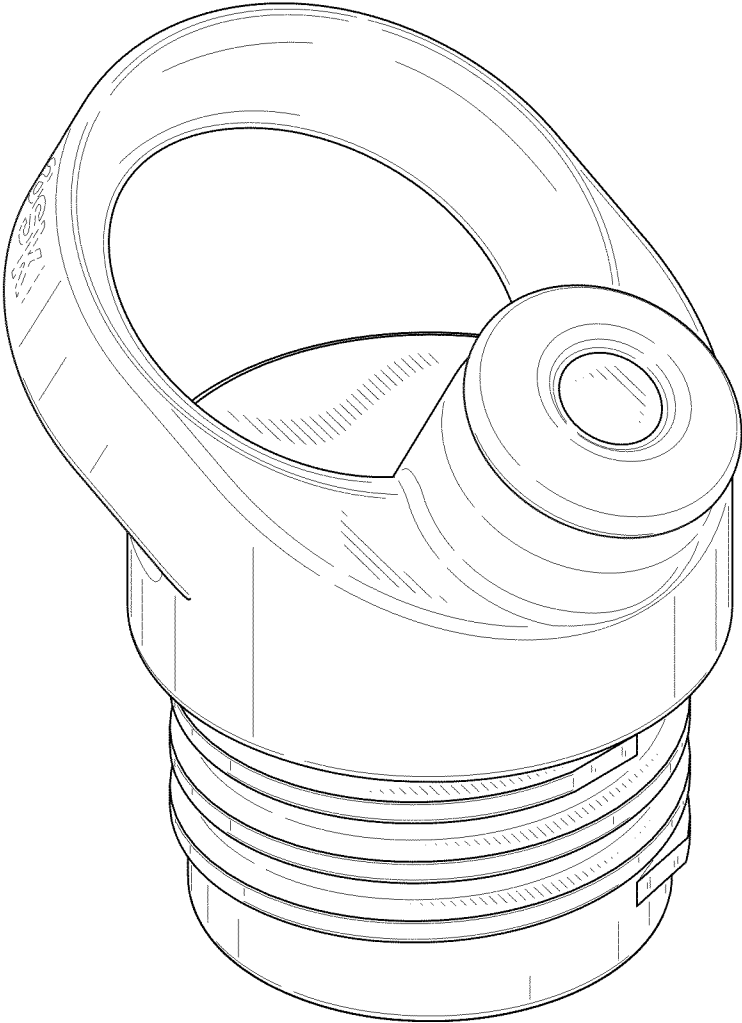


FIG. 1

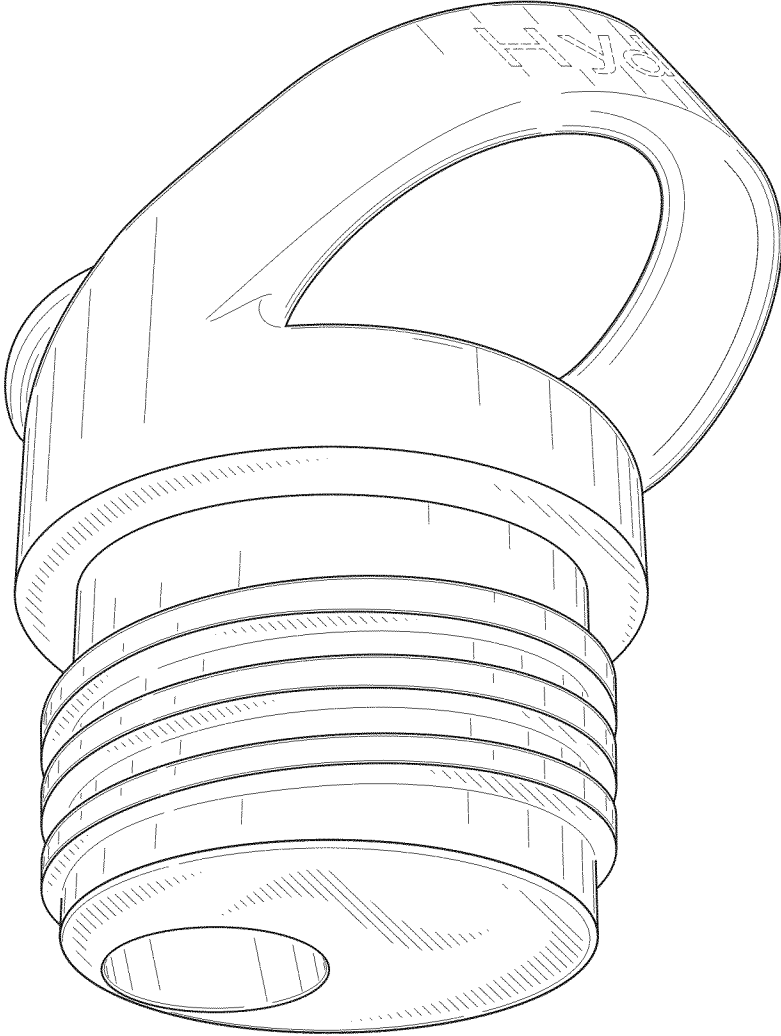


FIG. 2

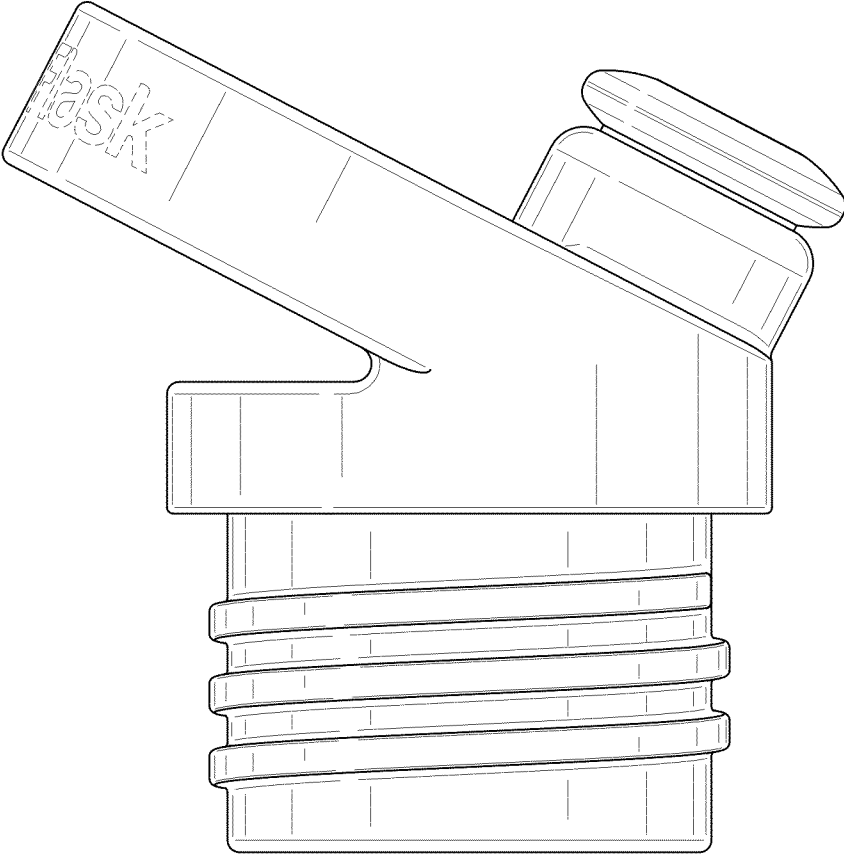


FIG. 3

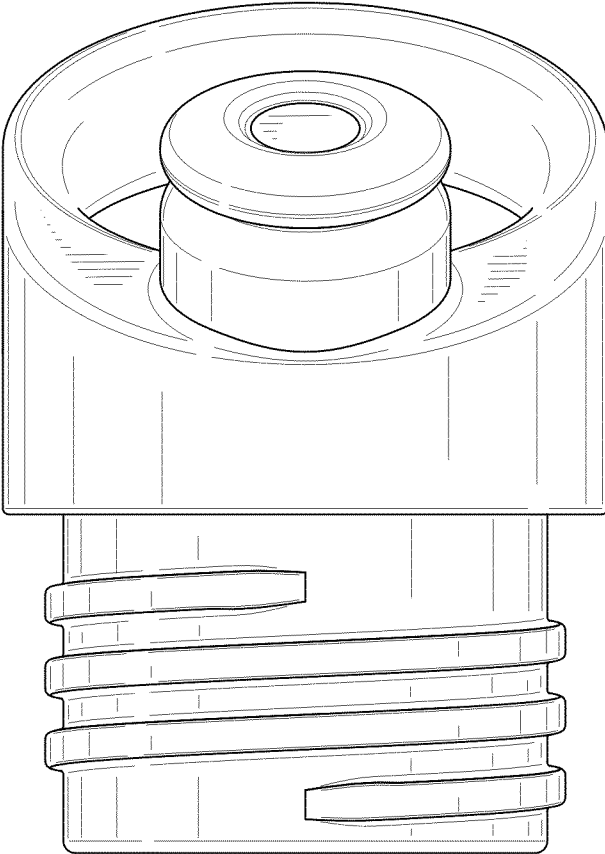


FIG. 4

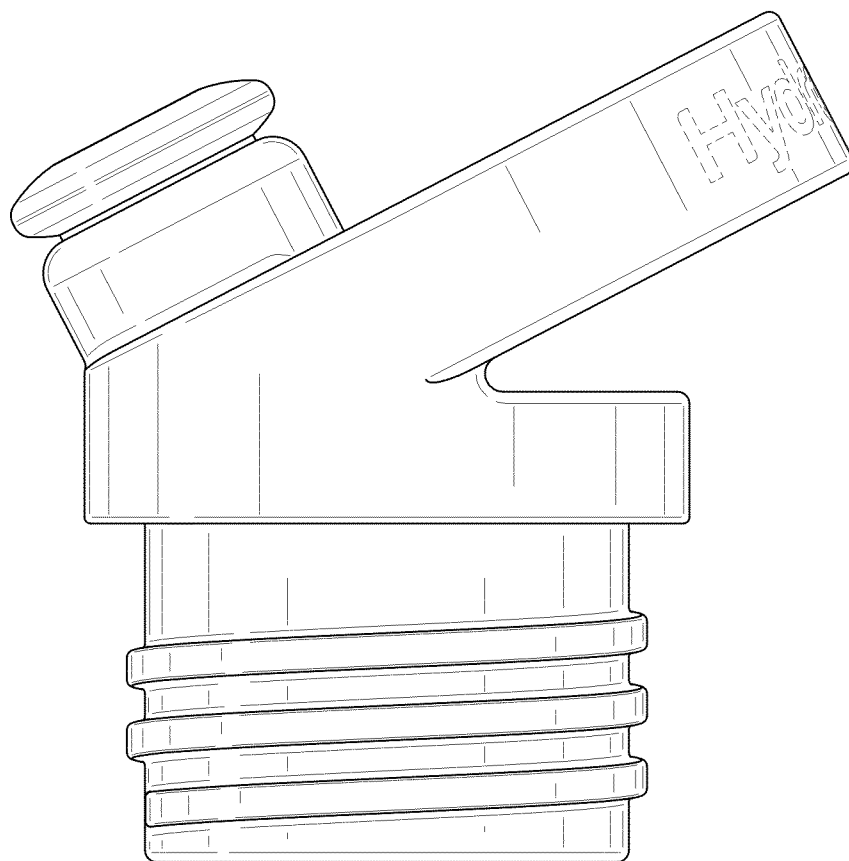


FIG. 5

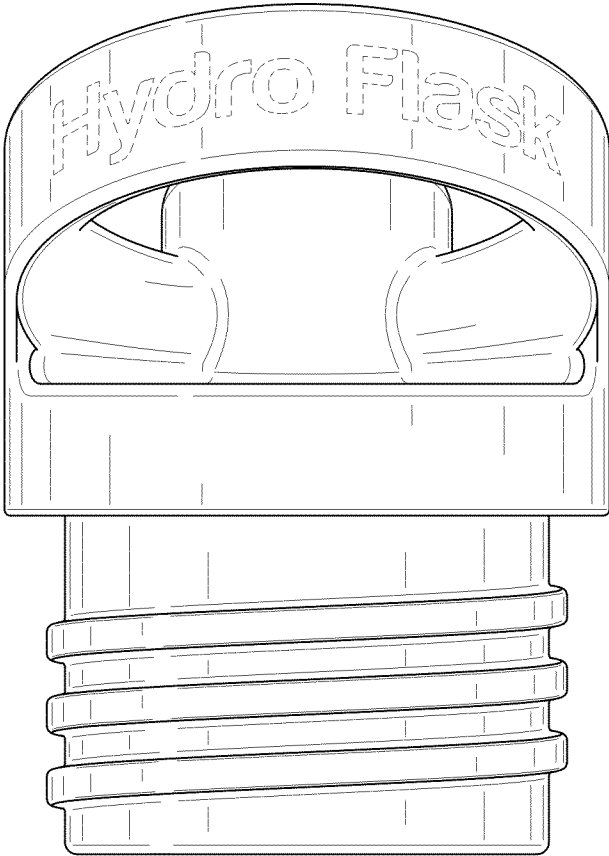


FIG. 6

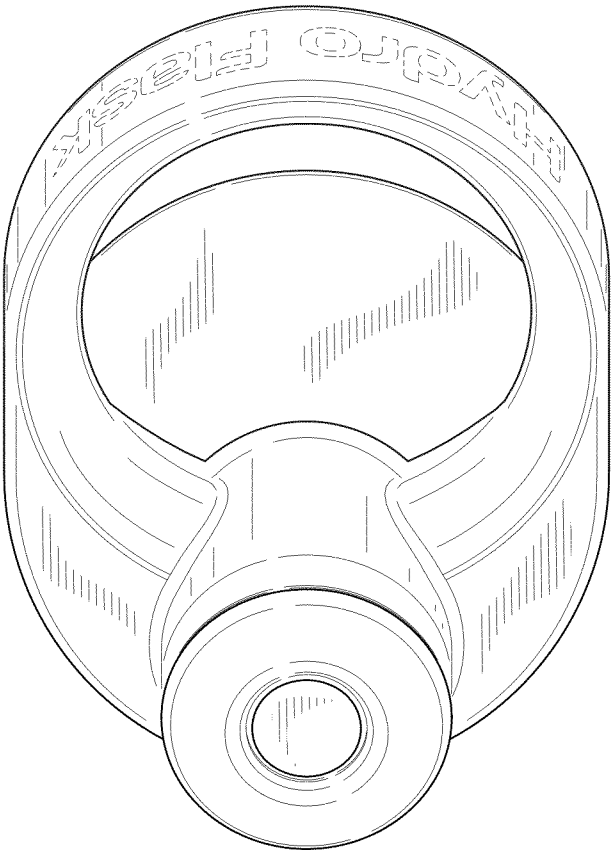


FIG. 7

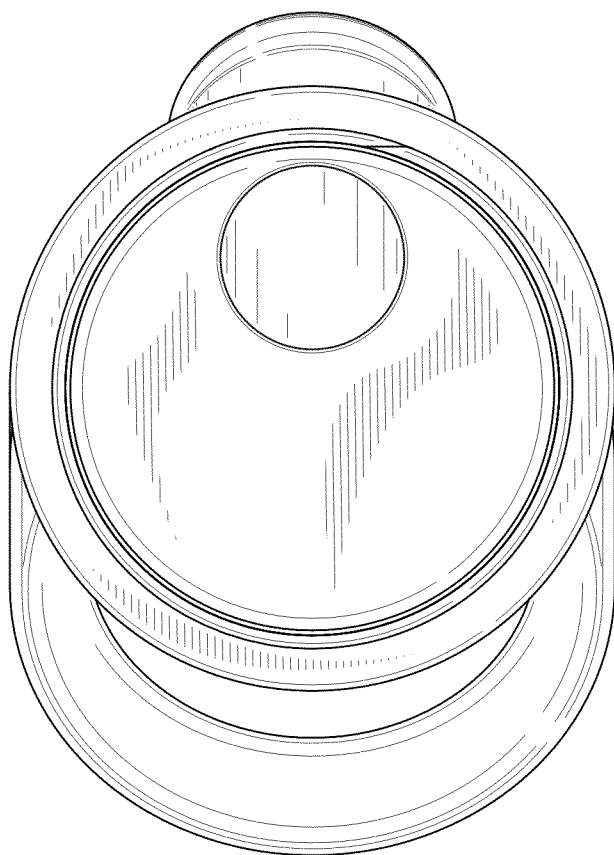


FIG. 8