



US00D726155S

(12) **United States Design Patent**
Cheng et al.

(10) **Patent No.:** **US D726,155 S**

(45) **Date of Patent:** **** Apr. 7, 2015**

- (54) **PORTABLE WIRELESS SPEAKER**
- (71) Applicants: **Lite-On Electronics (Guangzhou) Limited**, Guangzhou (CN); **Lite-On Technology Corporation**, Taipei (TW)
- (72) Inventors: **Chi-Hsiang Cheng**, New Taipei (TW); **An-Chi Chang**, Taipei (TW)
- (73) Assignees: **Lite-On Electronics (Guangzhou) Limited**, Guangzhou (CN); **Lite-On Technology Corporation**, Taipei (TW)
- (**) Term: **14 Years**
- (21) Appl. No.: **29/456,467**
- (22) Filed: **May 31, 2013**
- (51) **LOC (10) Cl.** **14-03**
- (52) **U.S. Cl.**
USPC **D14/216**
- (58) **Field of Classification Search**
USPC D14/167, 168, 170–172, 188, 192, D14/194–196, 204, 207, 209.1, 210–216, D14/219, 221, 222, 224, 496; 181/143, 144, 181/147, 148, 150, 153, 157, 198, 199; 381/300–303, 306, 332, 333, 336, 345, 381/361–364, 386, 388; 369/6–12
See application file for complete search history.
- (56) **References Cited**

U.S. PATENT DOCUMENTS

2,896,737	A	*	7/1959	Gellman	181/153
4,756,382	A	*	7/1988	Hudson, III	181/156

D553,121	S	*	10/2007	Gondo et al.	D14/216
D555,636	S	*	11/2007	Chen et al.	D14/216
D573,579	S	*	7/2008	Yamaguchi	D14/500
D617,305	S	*	6/2010	Chen et al.	D14/172
D625,706	S	*	10/2010	Graber	D14/212
D644,206	S	*	8/2011	Ponnert	D14/216
D670,271	S	*	11/2012	Tzeng	D14/216
D691,117	S	*	10/2013	Silvera	D14/216
D706,743	S	*	6/2014	Lukic et al.	D14/204
D706,747	S	*	6/2014	Yoshimura	D14/209.1

* cited by examiner

Primary Examiner — Keli L Hill

(74) *Attorney, Agent, or Firm* — Li & Cai Intellectual Property (USA) Office

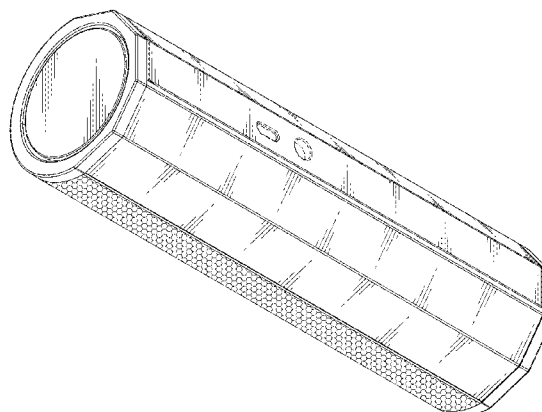
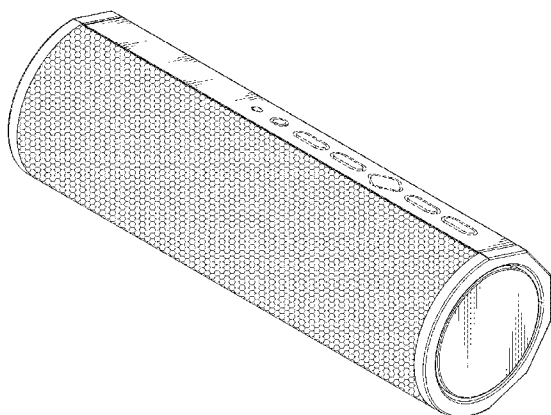
(57) **CLAIM**

The ornamental design for a “portable wireless speaker,” as shown and described.

DESCRIPTION

FIG. 1 is a perspective view of a portable wireless speaker showing our new design;
 FIG. 2 is a front view thereof;
 FIG. 3 is a rear view thereof;
 FIG. 4 is a left side view thereof;
 FIG. 5 is a right side view thereof;
 FIG. 6 is a top view thereof;
 FIG. 7 is a bottom view thereof;
 FIG. 8 is a perspective view viewed from another visual angle thereof; and,
 FIG. 9 is a perspective view showing the practical usage thereof.
 The broken lines depict portions of the portable wireless speaker which form no part of the claimed design.

1 Claim, 8 Drawing Sheets



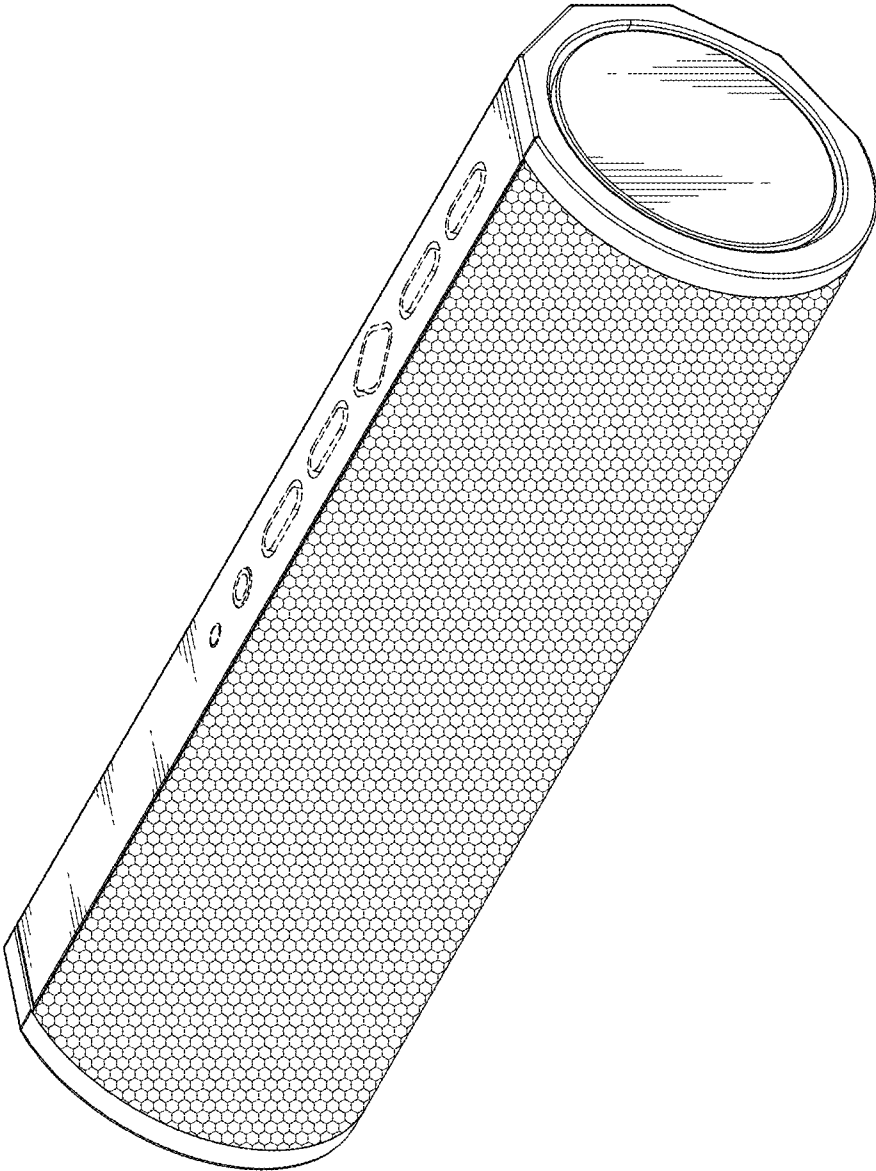


FIG.1

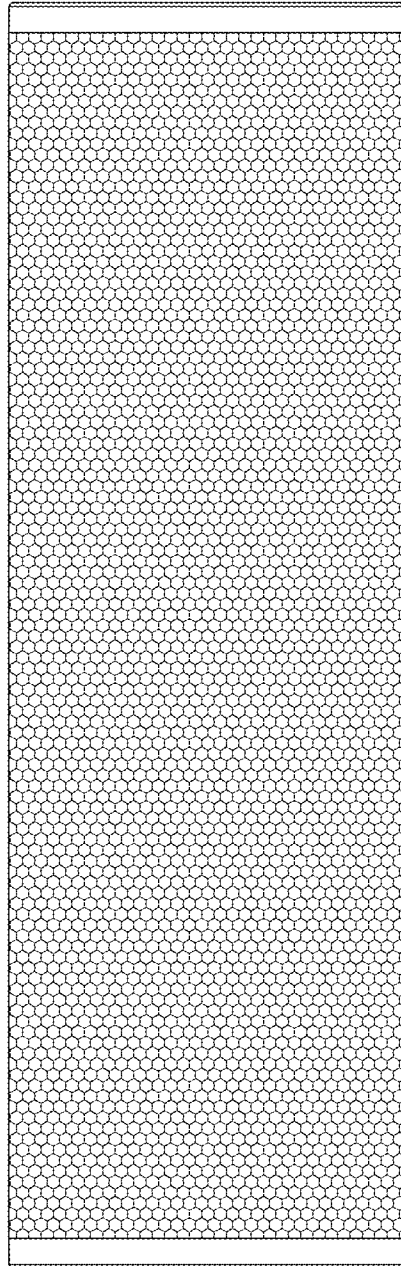


FIG.2

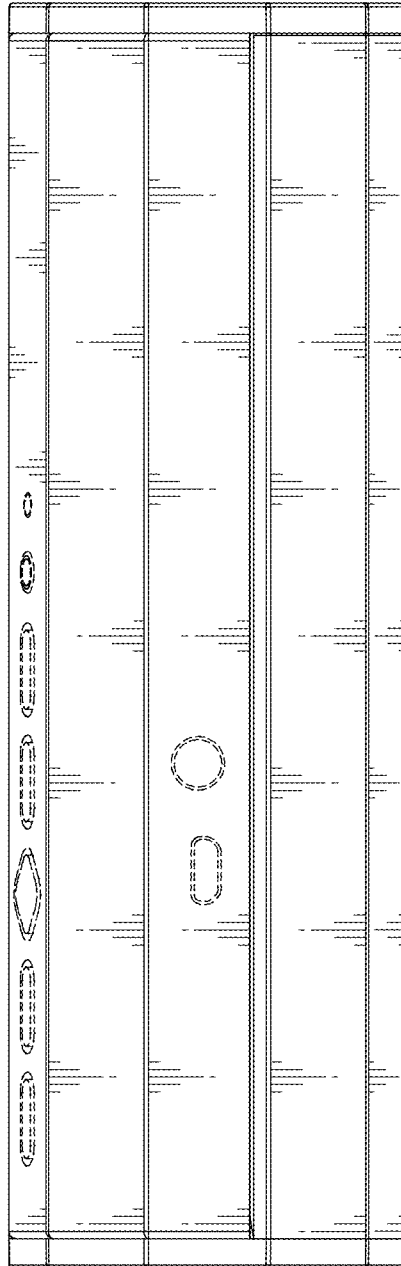


FIG.3

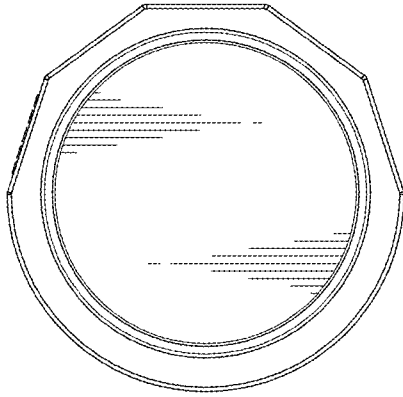


FIG.5

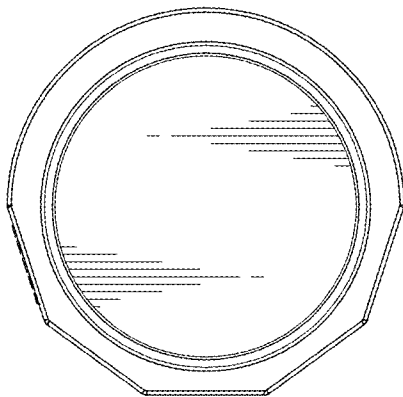


FIG.4

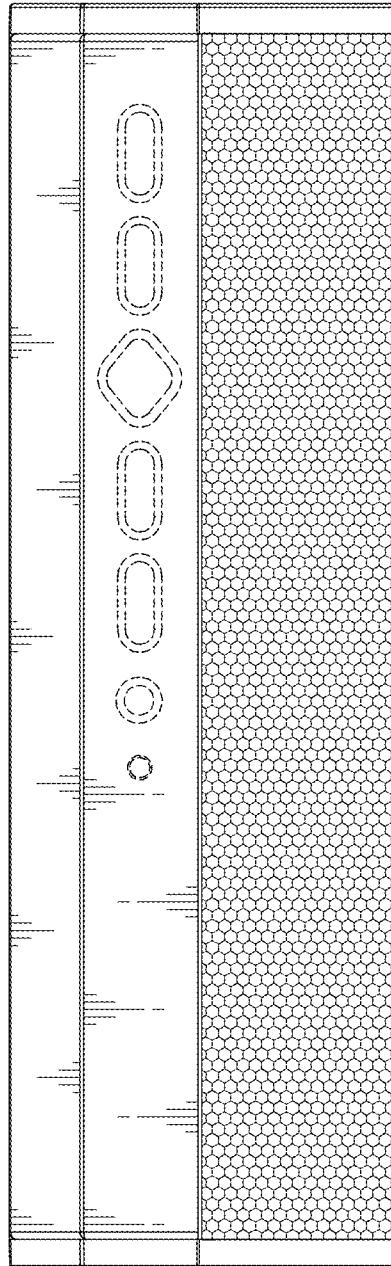


FIG.6

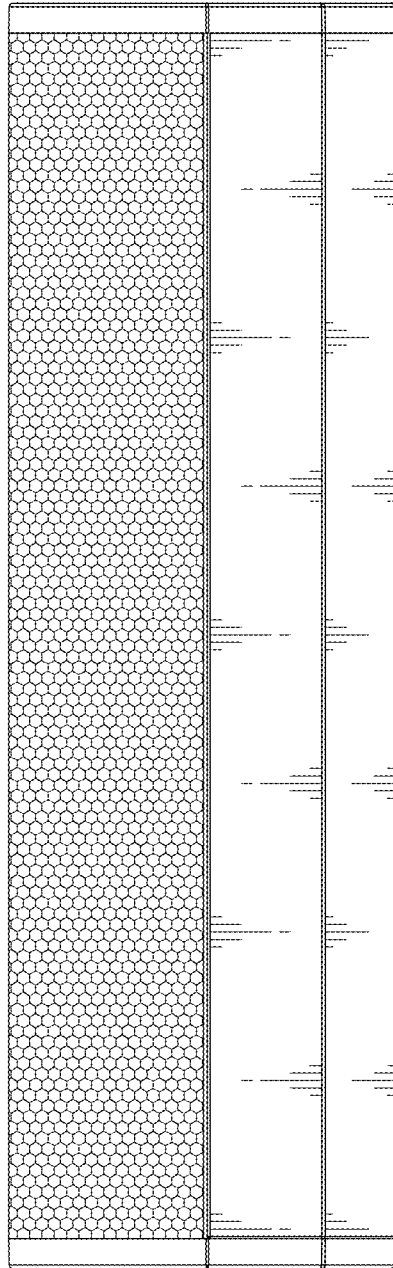


FIG.7

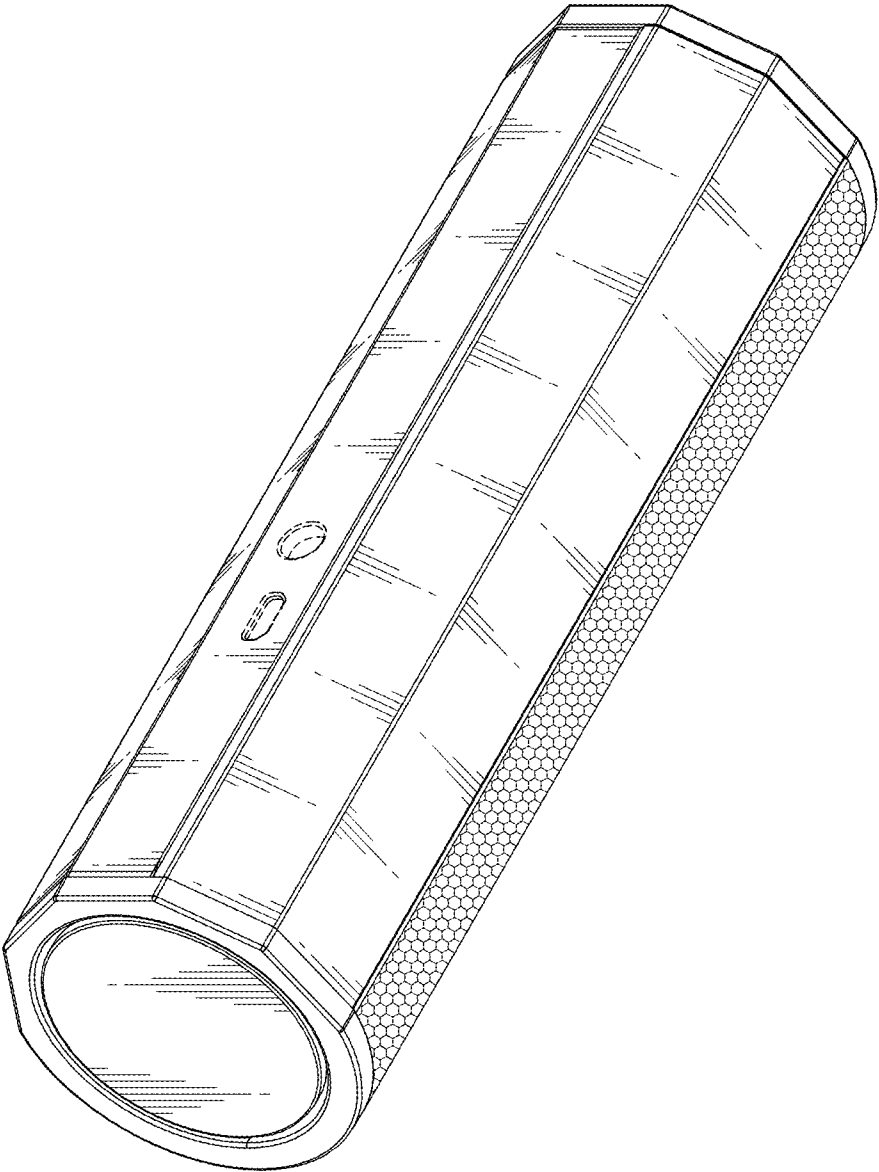


FIG.8

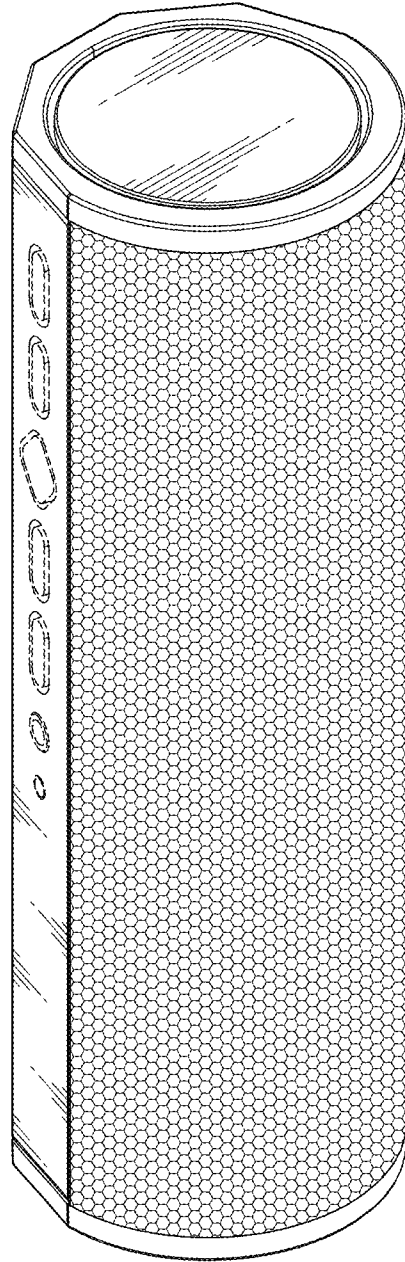


FIG.9