



US00D993176S

(12) **United States Design Patent**  
**Fuchs**

(10) **Patent No.:** **US D993,176 S**

(45) **Date of Patent:** **\*\* Jul. 25, 2023**

(54) **POWER SUPPLY APPARATUS**

(71) Applicant: **Instagrid GmbH**, Ludwigsburg (DE)

(72) Inventor: **Felix Fuchs**, Stuttgart (DE)

(73) Assignee: **INSTAGRID GmbH**, Ludwigsburg (DE)

(\*\*) Term: **15 Years**

(21) Appl. No.: **29/811,999**

(22) Filed: **Oct. 19, 2021**

(30) **Foreign Application Priority Data**

Apr. 19, 2021 (WO) ..... DM/214343

(51) **LOC (14) Cl.** ..... **13-02**

(52) **U.S. Cl.**  
USPC ..... **D13/110**

(58) **Field of Classification Search**

USPC ..... D13/101, 102, 103, 107, 108, 110, 118,  
D13/119, 123, 184, 199; D14/251, 253,  
D14/432, 434

CPC .. H02J 7/00; H02J 7/027; H02J 7/0042; H02J  
7/0045; H02J 7/0047; H02J 7/0063; H02J  
7/32; H02J 7/342; H02J 7/1423; H02M  
7/00; H02M 7/003; H01M 2/202; H01M  
2/204; H01M 2/1022; H01M 2/342;  
H05K 5/0247; H05K 7/1432; Y02T  
10/7005; Y02T 10/705; Y02T 10/7088;  
F21L 4/00; Y02E 60/12; Y02E 60/50

See application file for complete search history.

(56) **References Cited**

U.S. PATENT DOCUMENTS

D538,742 S *	3/2007	Pickvet .....	D13/110
D630,581 S *	1/2011	Xu .....	D13/116
D655,240 S *	3/2012	Hsu .....	D13/102
D664,499 S *	7/2012	Workman .....	D13/107
D856,930 S *	8/2019	Huang .....	D13/116
10,424,943 B2 *	9/2019	Wang .....	H02J 7/0047
D886,047 S *	6/2020	Hung .....	D13/103
D932,433 S *	10/2021	Tang .....	D13/110
2016/0285295 A1 *	9/2016	Marinov .....	H02J 7/342

\* cited by examiner

*Primary Examiner* — Derrick E Holland

(74) *Attorney, Agent, or Firm* — Cantor Colburn LLP

(57) **CLAIM**

I claim, the ornamental design for an power supply apparatus, as shown and described.

**DESCRIPTION**

FIG. 1 is a top view of an power supply apparatus, showing my new design;

FIG. 2 is an enlarged front view thereof;

FIG. 3 is a side view thereof;

FIG. 4 is a front perspective view thereof;

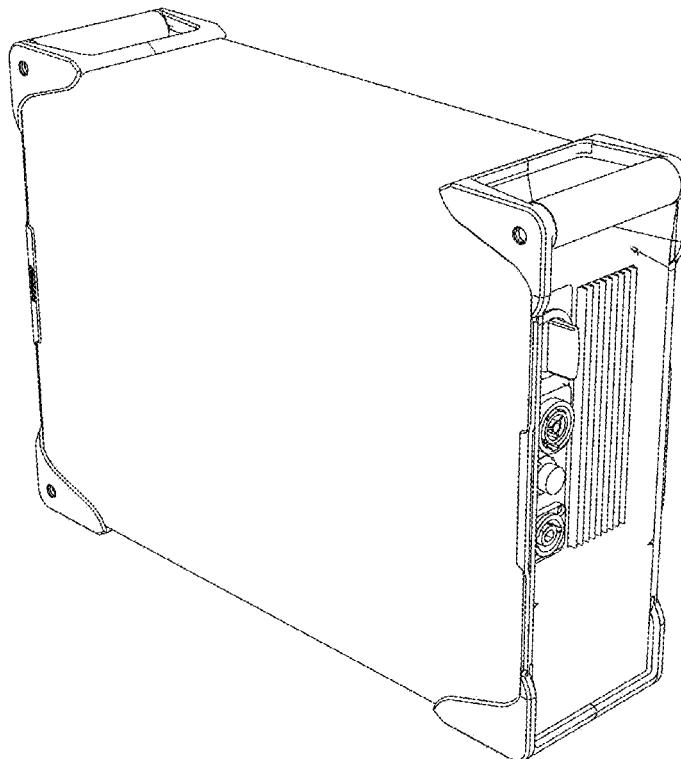
FIG. 5 is an enlarged back view thereof;

FIG. 6 is a bottom view thereof;

FIG. 7 is another side view thereof; and,

FIG. 8 is a rear perspective view thereof.

**1 Claim, 8 Drawing Sheets**



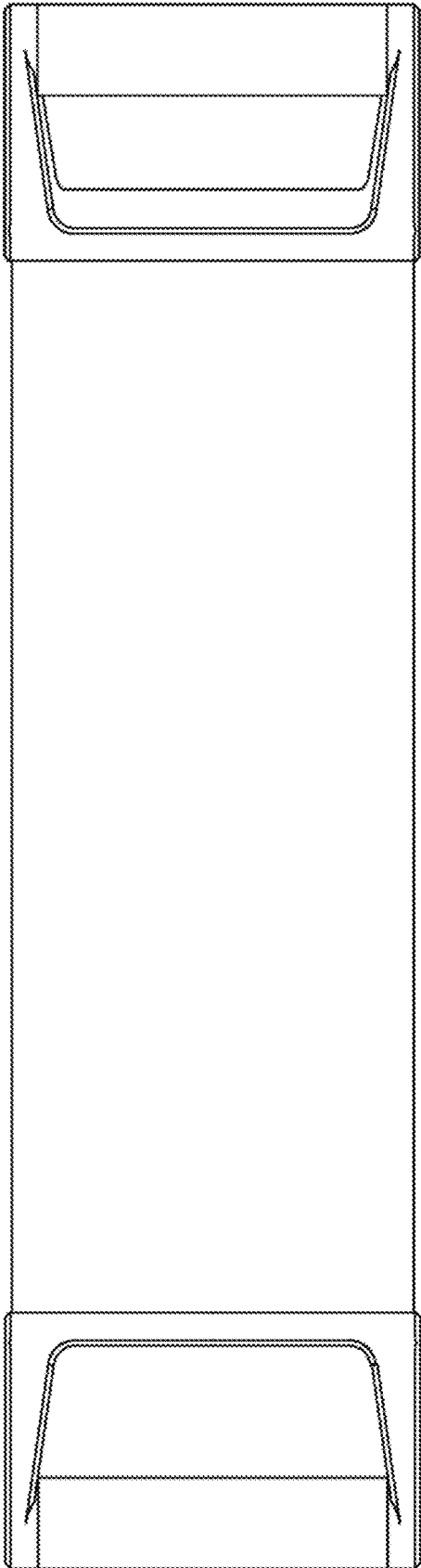


FIG. 1

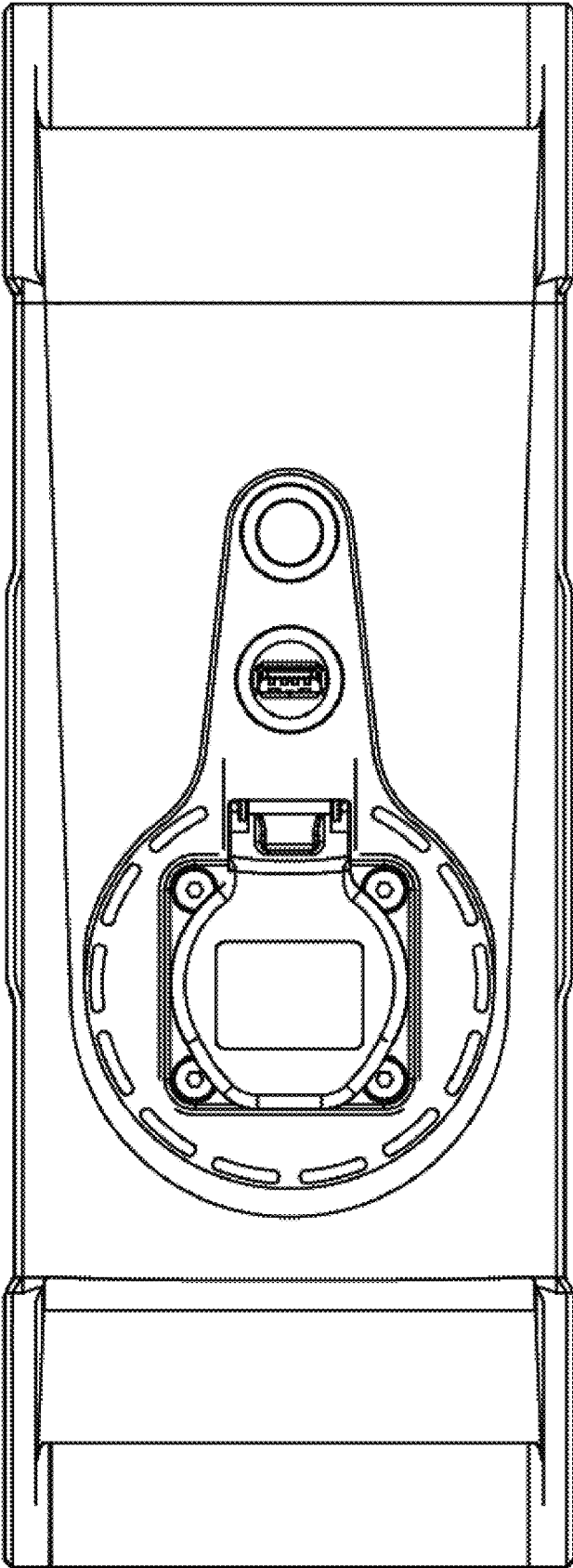


FIG. 2

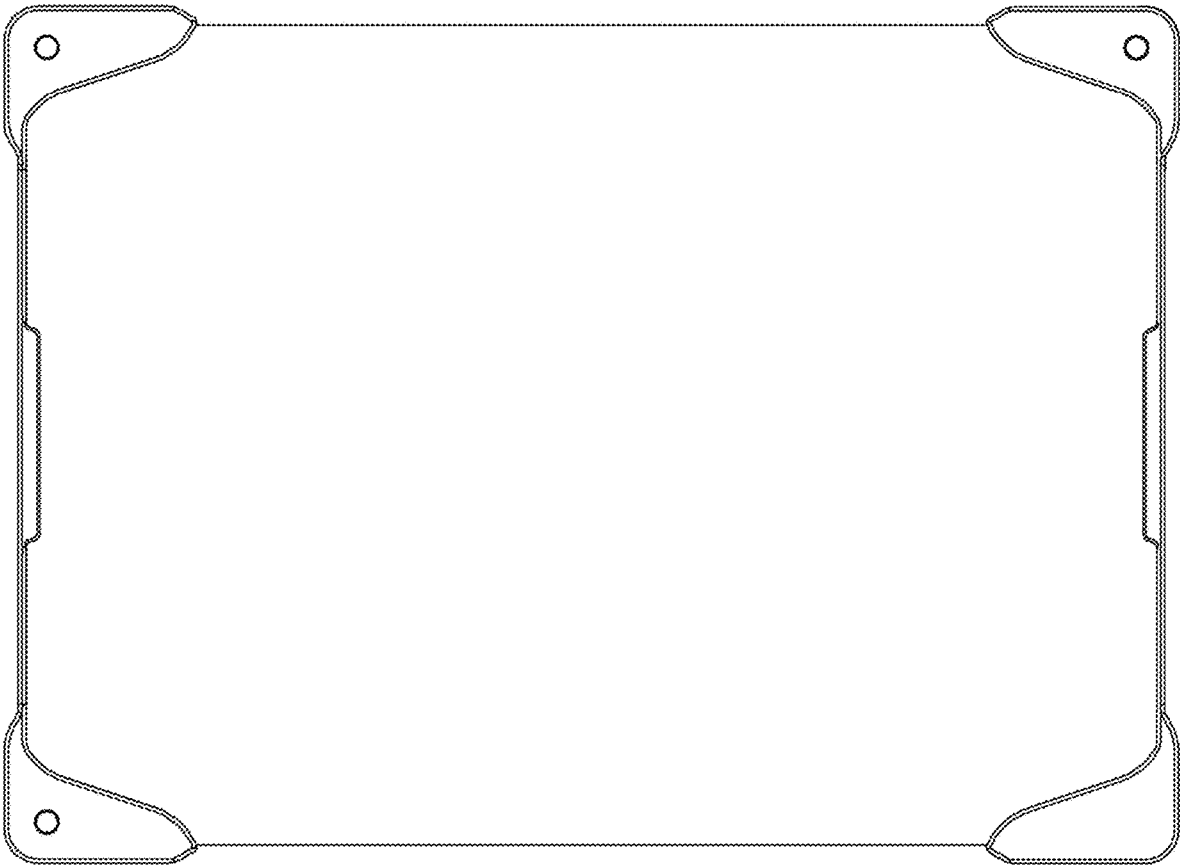


FIG. 3

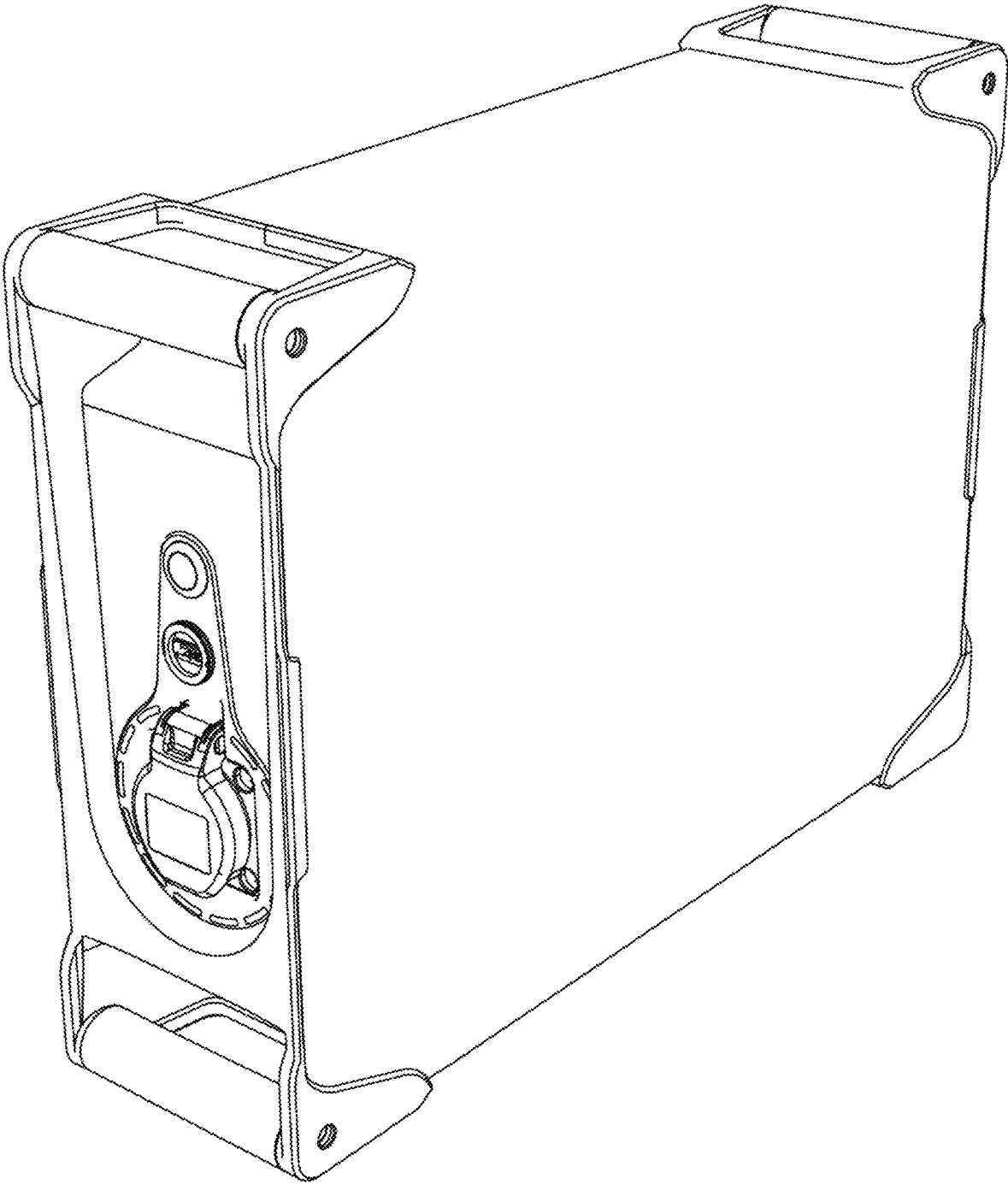


FIG. 4

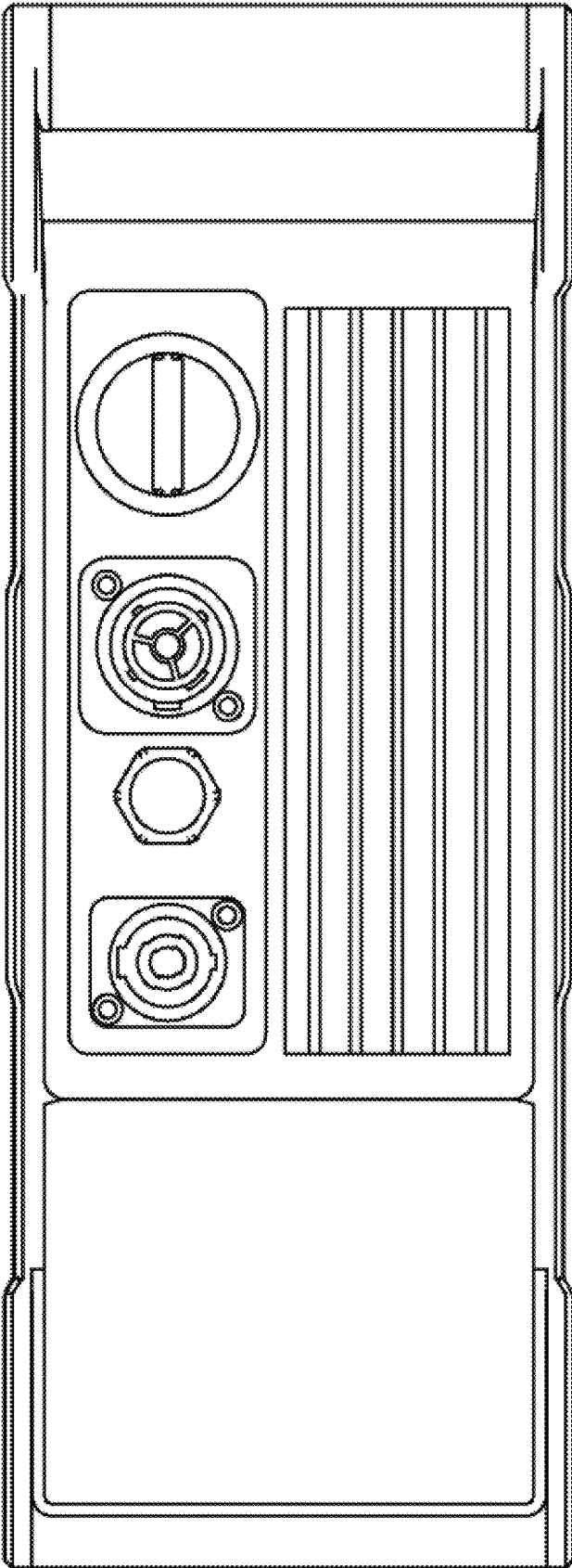


FIG. 5

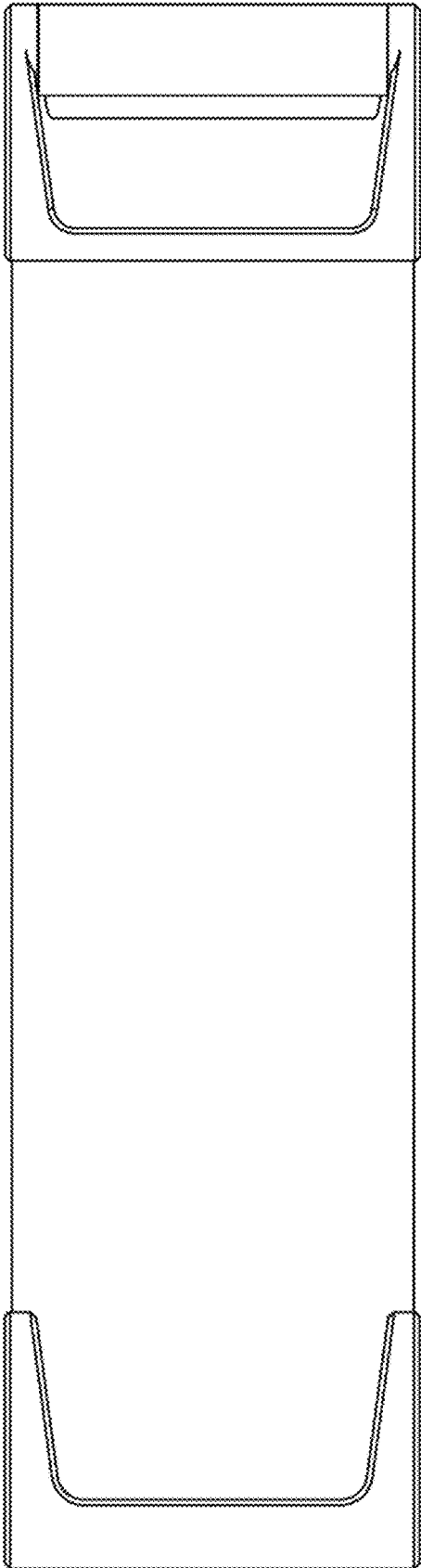


FIG. 6

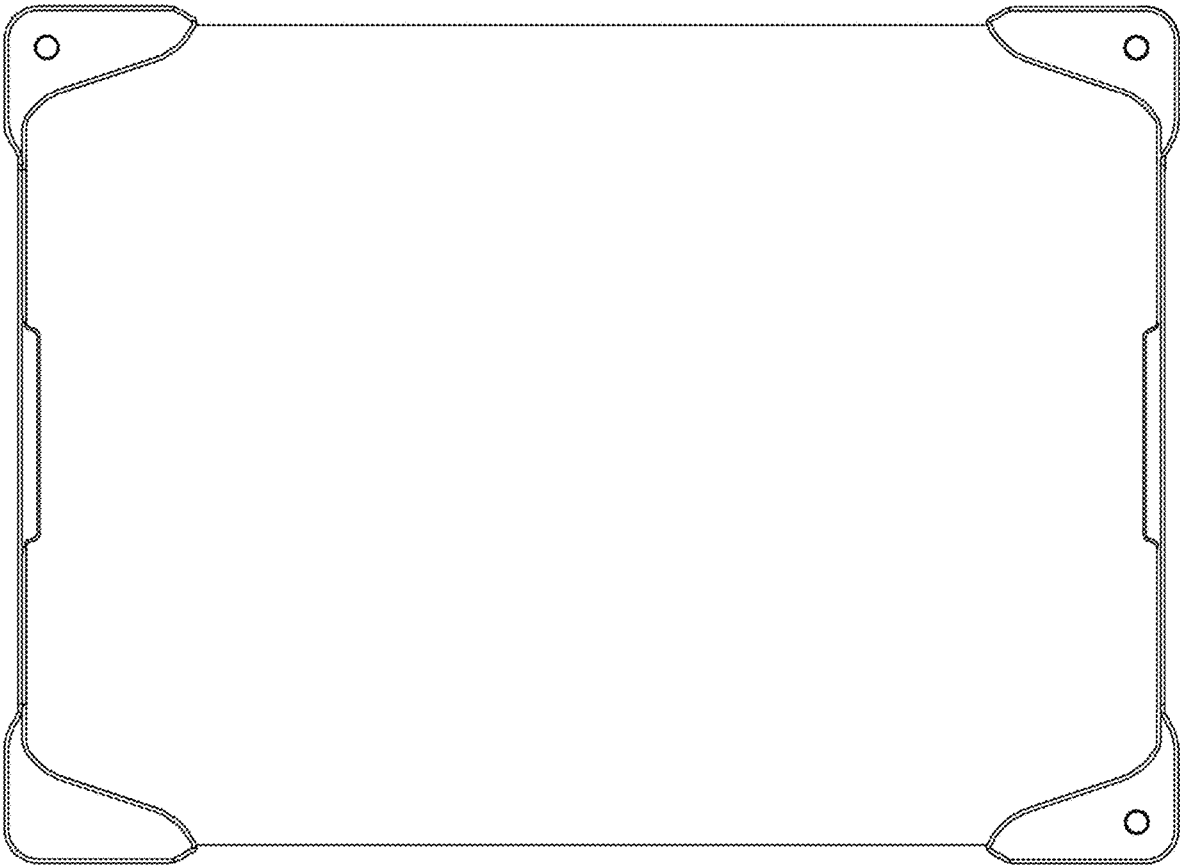


FIG. 7

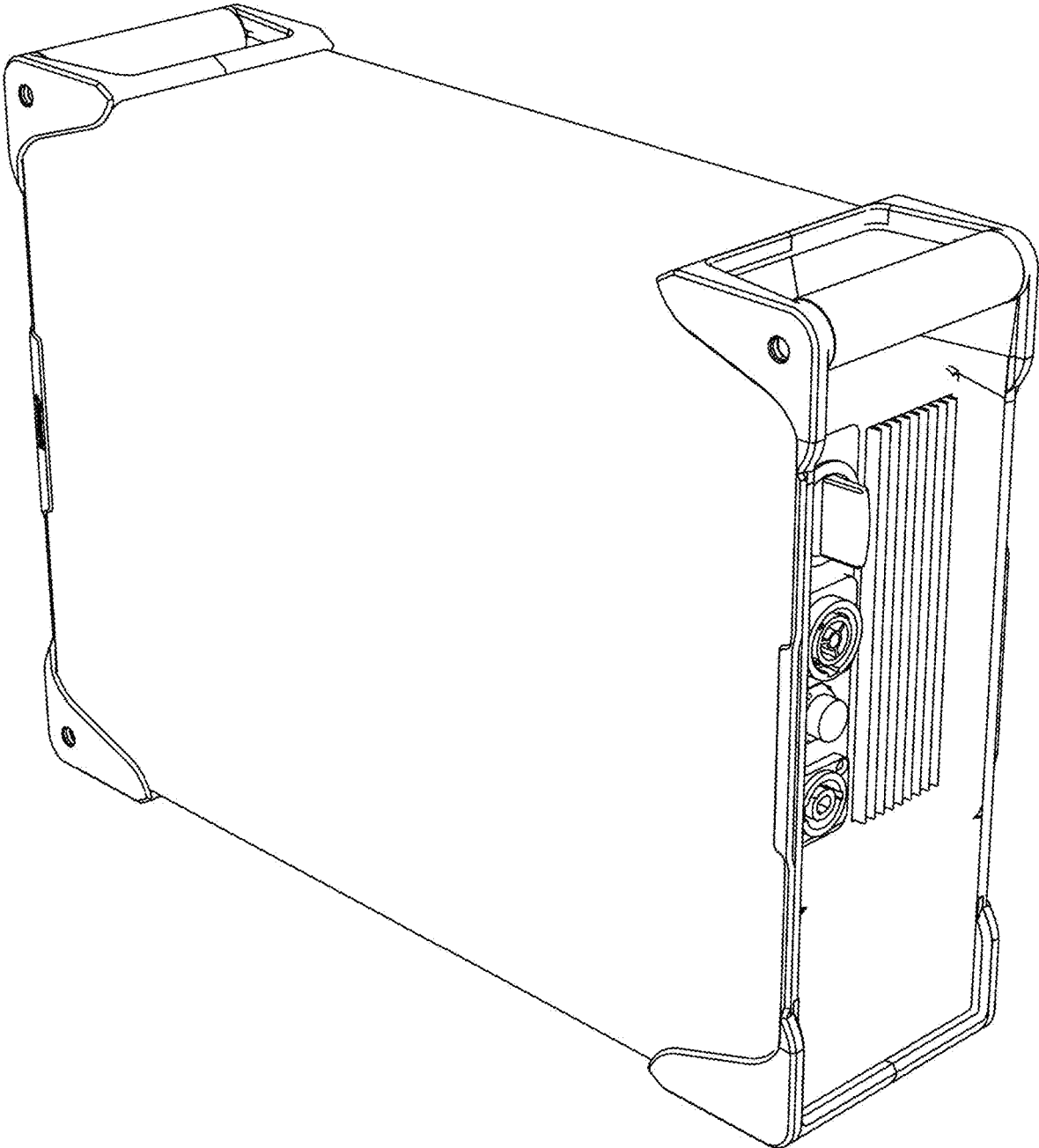


FIG. 8