



US00D533447S

(12) **United States Design Patent**  
**Irie**

(10) **Patent No.:** **US D533,447 S**

(45) **Date of Patent:** **\*\* Dec. 12, 2006**

(54) **DOOR STAY**

JP 2002-38809 2/2002

\* cited by examiner

(75) Inventor: **Takayuki Irie**, Tokyo (JP)

*Primary Examiner*—Brian N Vinson

(73) Assignee: **Sugatsune Kogyo Co., Ltd.**, Tokyo (JP)

(74) *Attorney, Agent, or Firm*—Osha Liang LLP

(\*\*) Term: **14 Years**

(57) **CLAIM**

The ornamental design for a door stay, as shown and described.

(21) Appl. No.: **29/210,873**

(22) Filed: **Aug. 5, 2004**

(30) **Foreign Application Priority Data**

Feb. 6, 2004 (JP) ..... 2004-003061

(51) **LOC (8) Cl.** ..... **08-08**

(52) **U.S. Cl.** ..... **D8/402**

(58) **Field of Classification Search** ..... D8/400,  
D8/402, 499; 16/339, 342, 345

See application file for complete search history.

(56) **References Cited**

**U.S. PATENT DOCUMENTS**

3,797,169	A	*	3/1974	Armstrong	.....	16/342
3,903,949	A	*	9/1975	Aris	.....	16/342
3,939,529	A	*	2/1976	Davis	.....	16/342
4,555,829	A	*	12/1985	Davis	.....	16/342
4,571,776	A	*	2/1986	Taylor	.....	16/339
4,833,754	A	*	5/1989	Yang	.....	16/339
D376,098	S	*	12/1996	Bucher	.....	D8/400
D459,208	S	*	6/2002	Figliola	.....	D8/402

**FOREIGN PATENT DOCUMENTS**

JP 1045652 8/1999

**DESCRIPTION**

FIG. 1 shows a front view of the design for a door stay according to the invention.

FIG. 2 shows a rear view of the design for a door stay according to the invention.

FIG. 3 shows a right side view of the design for a door stay according to the invention.

FIG. 4 shows a left side view of the design for a door stay according to the invention.

FIG. 5 shows a top plan view of the design for a door stay according to the invention.

FIG. 6 shows a bottom plan view of the design for a door stay according to the invention.

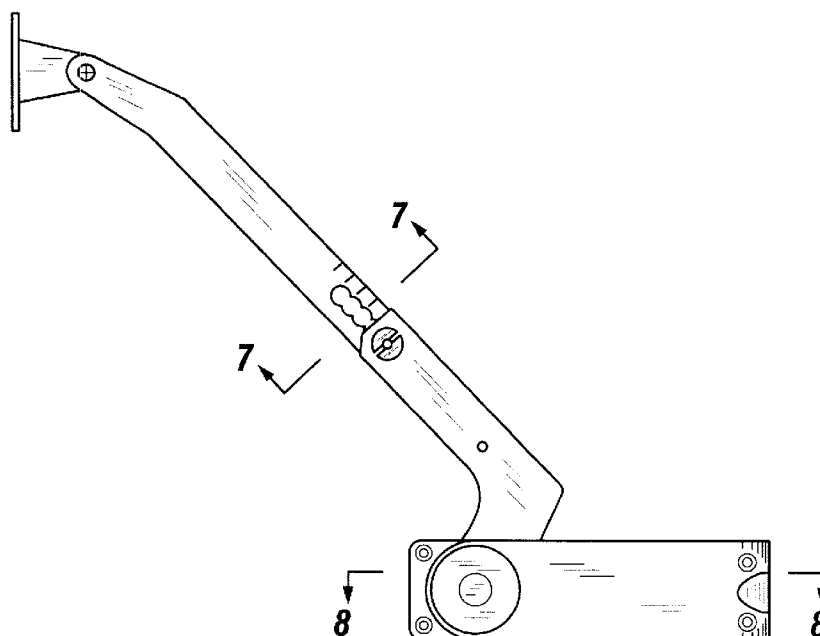
FIG. 7 shows an enlarged sectional view taken along the line 7—7, as shown in FIG. 1, of the design for a door stay according to the invention.

FIG. 8 shows an enlarged sectional view taken along the line 8—8, as shown in FIG. 1, of the design for a door stay according to the invention.

FIG. 9 shows a front view of the design for a door stay in a state of rotation according to the invention; and,

FIG. 10 shows a perspective view of the design for a door stay according to the invention.

**1 Claim, 4 Drawing Sheets**



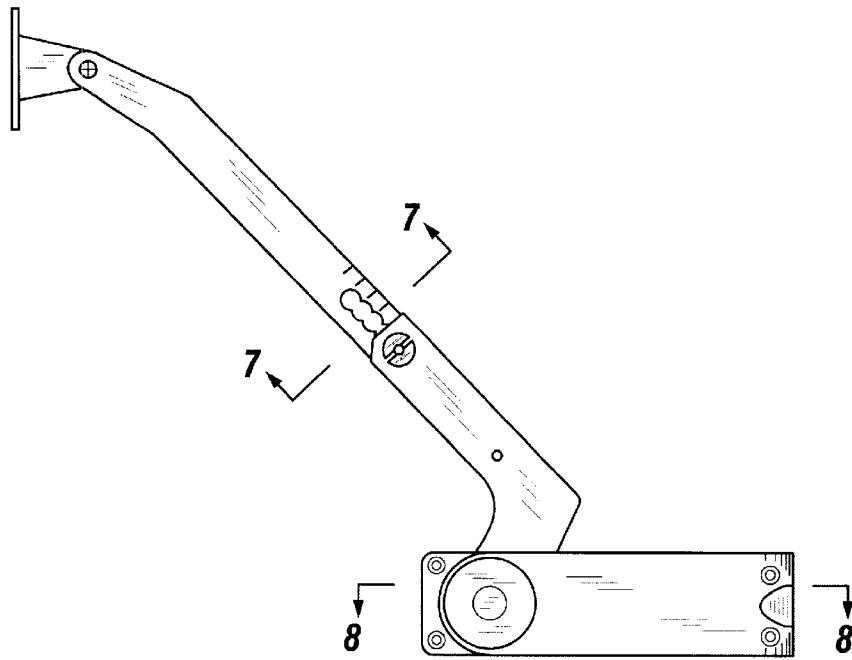


FIG. 1

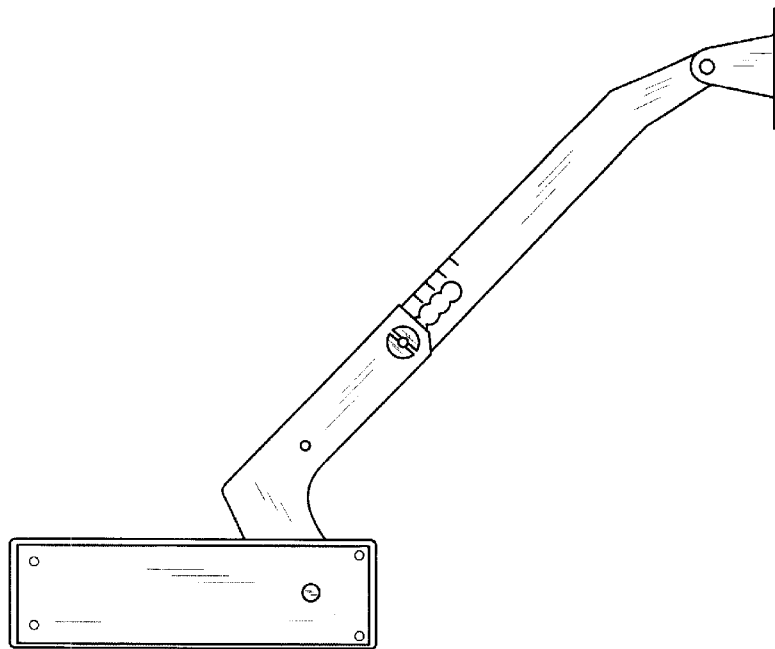
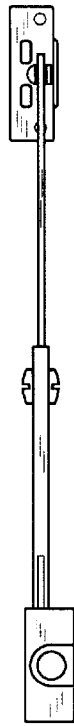


FIG. 2



**FIG. 3**



**FIG. 4**



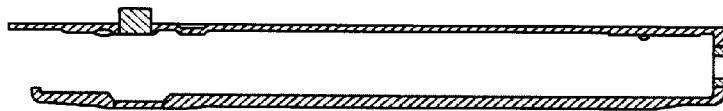
**FIG. 5**



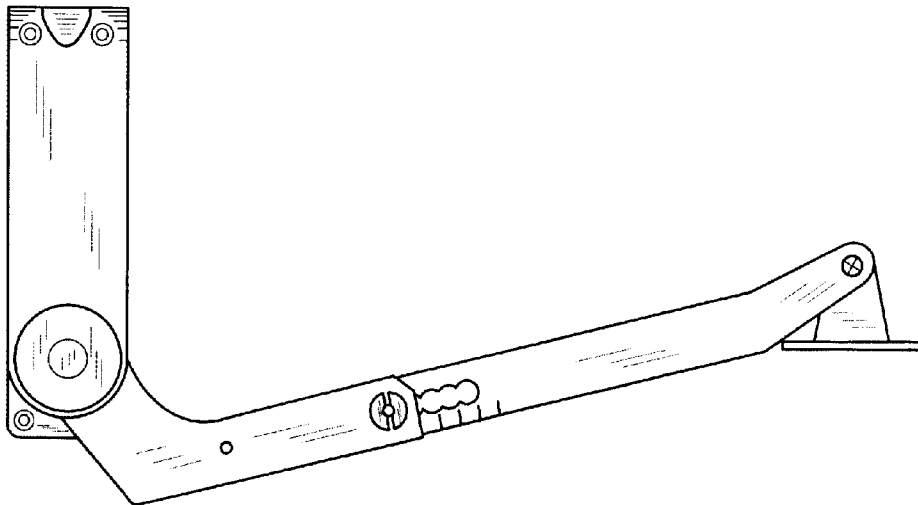
**FIG. 6**



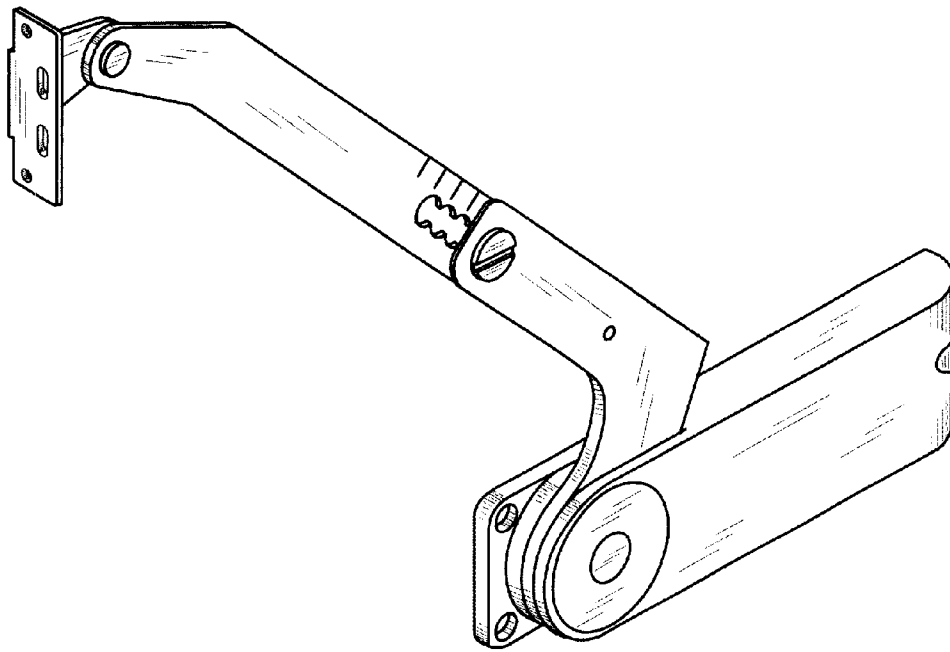
**FIG. 7**



**FIG. 8**



**FIG. 9**



**FIG. 10**