



US00D679175S

(12) **United States Design Patent**  
**Moreau et al.**

(10) **Patent No.:** **US D679,175 S**

(45) **Date of Patent:** **\*\* Apr. 2, 2013**

(54) **LANYARD SLIDER**

(76) Inventors: **Darrell A. Moreau**, Manchester, NH  
(US); **Andre W. Moresu**, Spring Hill,  
FL (US)

(\*\*) Term: **14 Years**

(21) Appl. No.: **29/427,422**

(22) Filed: **Jul. 18, 2012**

(51) **LOC (9) Cl.** ..... **08-08**

(52) **U.S. Cl.** ..... **D8/383; D11/87**

(58) **Field of Classification Search** ..... D11/1-2,  
D11/200-201, 206-210, 214-218, 3, 7, 86;  
24/163 R, 169-171, 173, 177-179, 191, 194-195,  
24/197, 200, 614-616, 625, 3.4, 115 R; D2/607;  
D3/215, 318, 327; D8/26, 356, 383, 396  
See application file for complete search history.

(56) **References Cited**

**U.S. PATENT DOCUMENTS**

2,740,654	A	*	4/1956	Orschel	.....	292/323
3,187,396	A	*	6/1965	Carroll	.....	24/115 R
3,364,500	A	*	1/1968	Fox	.....	2/150
D241,284	S	*	9/1976	Johnston	.....	D2/607
D247,345	S	*	2/1978	Mulholland	.....	D8/383
D251,545	S	*	4/1979	Boden	.....	D8/383
D256,560	S	*	8/1980	van Eyben	.....	D10/30
D297,304	S	*	8/1988	Ito et al.	.....	D8/383
D308,282	S	*	6/1990	Bergman et al.	.....	D2/978
D382,503	S	*	8/1997	Kalbach	.....	D11/7
D418,774	S	*	1/2000	Kalbach	.....	D11/7

D433,649	S	*	11/2000	Buettell	.....	D11/200
D462,523	S	*	9/2002	Kalbach	.....	D3/327
D466,433	S	*	12/2002	Goto	.....	D11/87
D467,416	S	*	12/2002	Kalbach	.....	D3/215
D477,776	S	*	7/2003	Pontaoe	.....	D8/396
6,711,785	B1	*	3/2004	Hicks et al.	.....	24/3.4
D507,110	S	*	7/2005	Hicks et al.	.....	D3/318
D516,933	S	*	3/2006	Armani	.....	D11/7
D517,942	S	*	3/2006	Stern	.....	D11/86
D518,405	S	*	4/2006	Stern	.....	D11/86
D518,407	S	*	4/2006	Stern	.....	D11/86
D536,173	S	*	2/2007	Hicks et al.	.....	D3/318
D541,523	S	*	5/2007	Zoullas et	.....	D3/215
D667,749	S	*	9/2012	Case et al.	.....	D11/3

\* cited by examiner

*Primary Examiner* — Ralf Seifert

(74) *Attorney, Agent, or Firm* — Robert R Deleault, Esq.;  
Mesner & Deleault, PLLC

(57) **CLAIM**

We claim the ornamental design for lanyard slider, as shown  
and described.

**DESCRIPTION**

FIG. 1 is a front, left perspective view of a lanyard slider  
showing our new design.

FIG. 2 is a top plan view thereof.

FIG. 3 is a bottom plan view thereof.

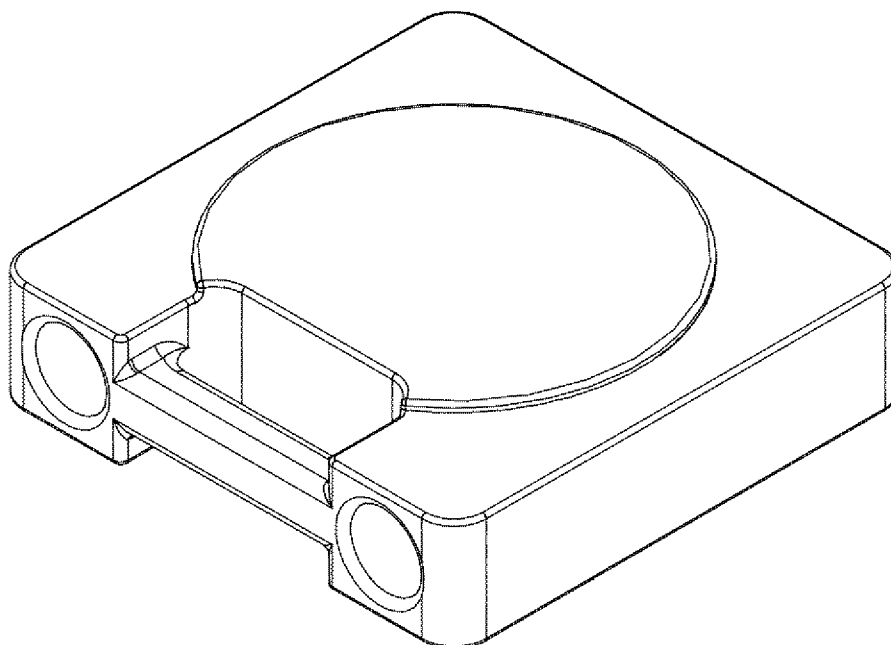
FIG. 4 is a front plan view thereof.

FIG. 5 is a rear plan view thereof;

FIG. 6 is a left side plan view thereof; and,

FIG. 7 is right side plan view thereof.

**1 Claim, 1 Drawing Sheet**



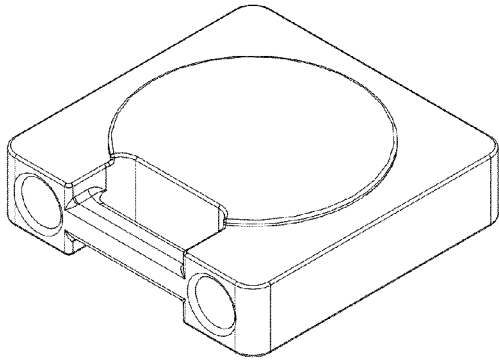


Fig. 1

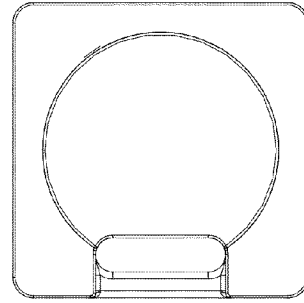


Fig. 2

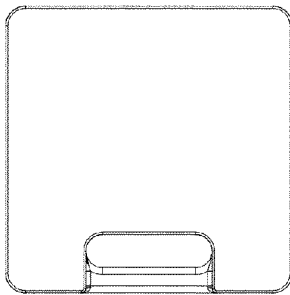


Fig. 3

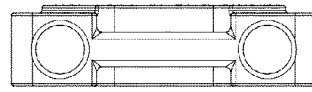


Fig. 4



Fig. 5



Fig. 6



Fig. 7