



US00D346279S

United States Patent [19]

[11] Patent Number: **Des. 346,279**

Stumpf et al.

[45] Date of Patent: **** Apr. 26, 1994**

[54] **CHAIR**

[75] Inventors: **William E. Stumpf; Rodney C. Schoenfelder**, both of Minneapolis, Minn.; **Donald Chadwick**, Los Angeles, Calif.; **Carolyn Keller**, Holland, Mich.

[73] Assignee: **Herman Miller, Inc.**, Zeeland, Mich.

[**] Term: **14 Years**

[21] Appl. No.: **898,899**

[22] Filed: **Jun. 15, 1992**

[52] U.S. Cl. **D6/366**

[58] Field of Search **D6/334, 360, 366, 369, D6/374, 375, 379, 500, 501, 502; 297/411.2**

4,685,733	8/1987	Machate et al.	297/284
4,707,029	11/1987	Korn	297/300
4,709,962	12/1987	Steinmann	297/301
4,711,491	12/1987	Ginat	297/301
4,744,600	5/1988	Inoue	297/326
4,758,045	7/1988	Edel et al.	297/300
4,776,633	10/1988	Knoblock et al.	297/300
4,796,950	1/1989	Mrotz, III et al.	297/302
4,818,019	4/1989	Mrotz, III	297/303
4,889,385	12/1989	Chadwick et al.	297/302
4,909,472	3/1990	Piretti	248/578
4,915,449	4/1990	Piretti	297/326
5,026,117	6/1991	Faiks et al.	297/304
5,029,940	7/1991	Golynsky et al.	297/301
5,080,318	1/1992	Takamatsu et al.	248/598
5,114,211	5/1992	Desanta	297/301

OTHER PUBLICATIONS

Interiors, Dec. 1978, p. 48, chair at top left.

Primary Examiner—Alan P. Douglas
Assistant Examiner—Gary D. Watson
Attorney, Agent, or Firm—William Brinks Olds Hofer Gilson & Lione

[57] CLAIM

The ornamental design for a chair, as shown.

DESCRIPTION

FIG. 1 is a perspective view of a preferred embodiment of a chair;
FIG. 2 is a front view of the chair;
FIG. 3 is a right side view of the chair;
FIG. 4 is a left side view of the chair;
FIG. 5 is a rear view of the chair;
FIG. 6 is a top view of the chair; and,
FIG. 7 is a bottom view of the chair.

[56]

References Cited

U.S. PATENT DOCUMENTS

D. 217,863	6/1970	Parker	D6/366
D. 267,990	2/1983	Buhk et al.	D6/366
D. 273,251	4/1984	Petitt	D6/366
D. 274,675	7/1984	Diffrient	D6/366
D. 294,434	3/1988	Zakharov	D6/360
D. 296,960	8/1988	Fenske	D6/366
D. 301,662	6/1989	Vonhausen	D6/366
2,859,801	11/1958	Moore	155/157
2,963,074	12/1960	Woodard	155/5
3,627,252	12/1971	Yamaguchi	248/384
3,936,094	2/1976	Conrad	297/328
3,947,068	3/1976	Buhk	297/445
4,036,524	7/1977	Takamatsu	297/219
4,152,023	5/1979	Buhk	297/452
4,429,917	2/1984	Diffrient	297/300
4,529,247	7/1985	Stampf et al.	297/301
4,641,885	2/1987	Bräuning	297/300



FIG. 1



FIG. 3

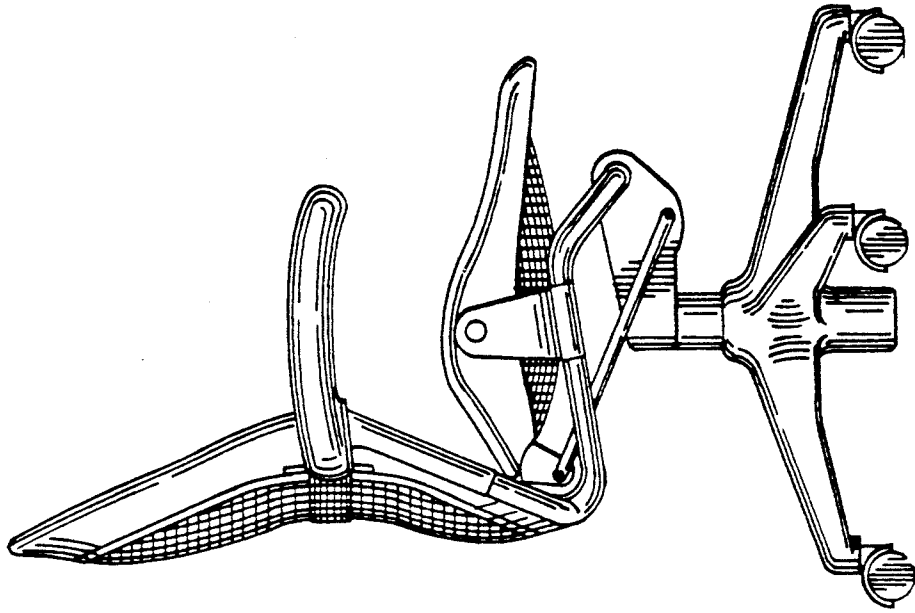


FIG. 2

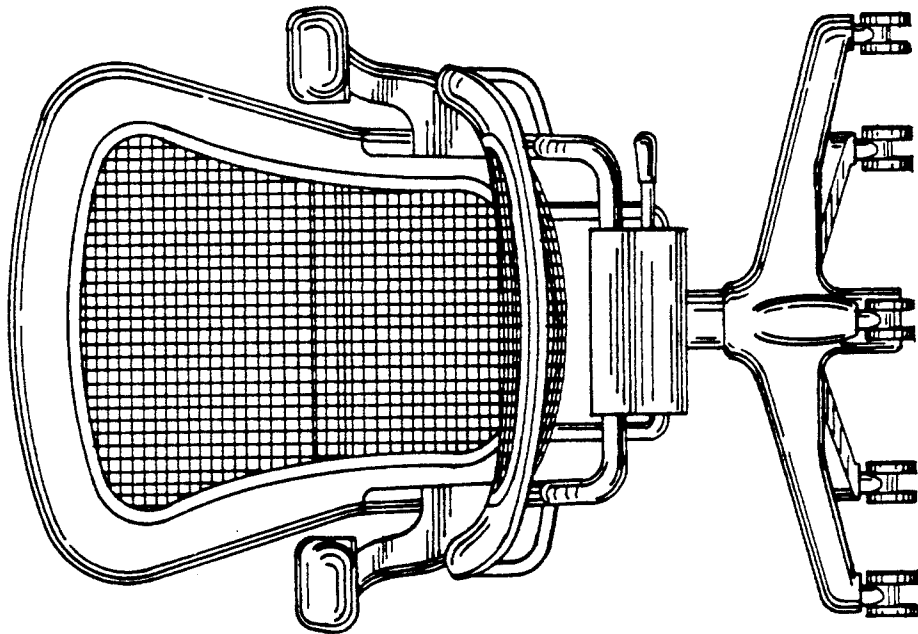


FIG. 5

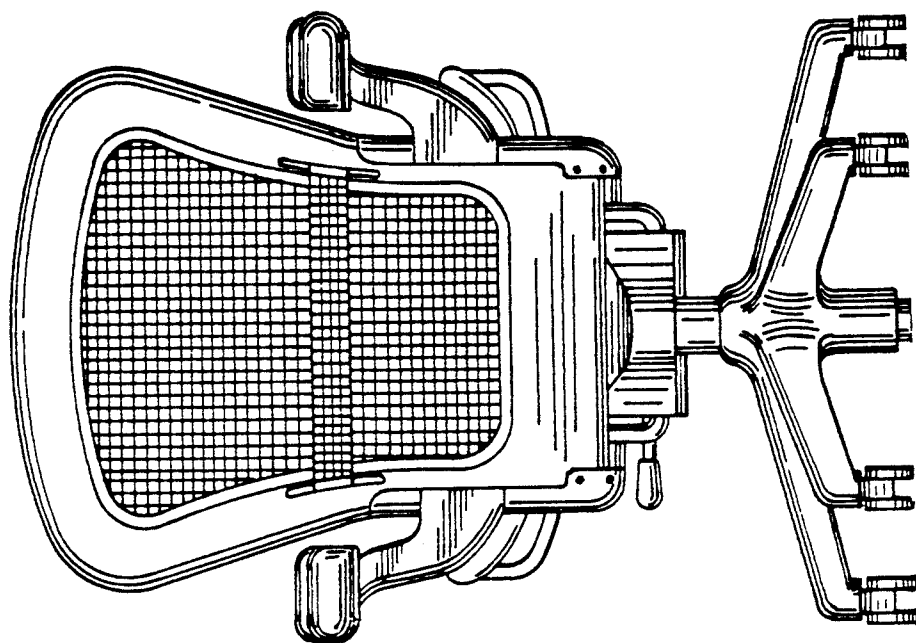


FIG. 4

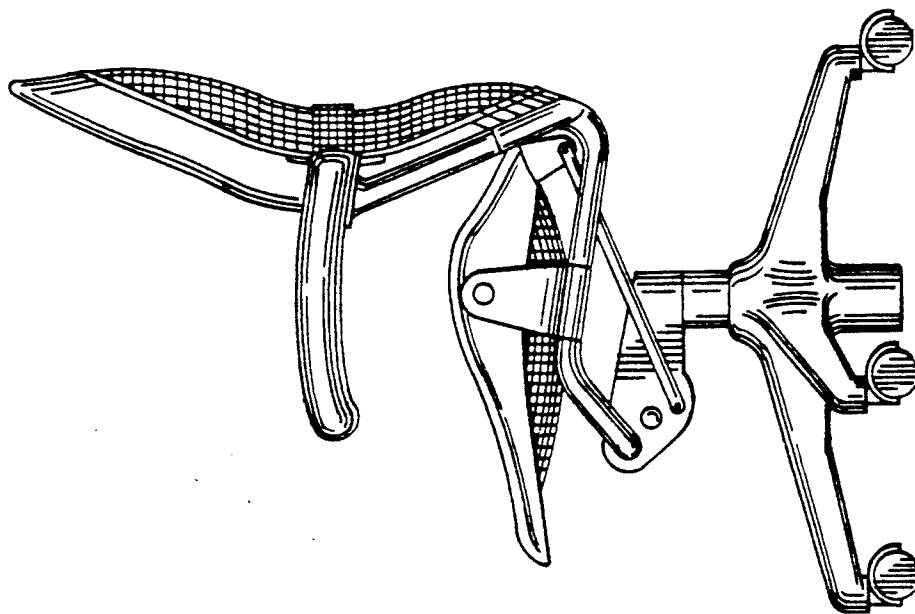


FIG. 6

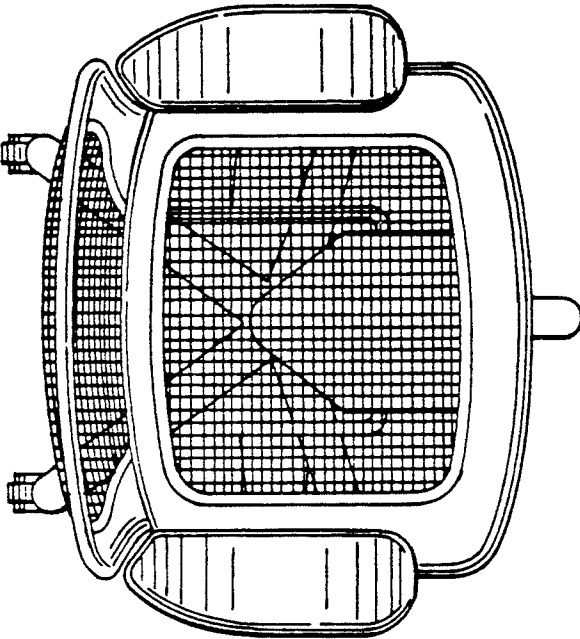


FIG. 7

