



US00D361372S

United States Patent [19]

[11] Patent Number: **Des. 361,372**

Enthoven

[45] Date of Patent: **** Aug. 15, 1995**

[54] **DESIGN FOR A LAVATORY**

[75] Inventor: **Axel Enthoven, Wijnegen, Belgium**

[73] Assignee: **American Standard Inc., Piscataway, N.J.**

[**] Term: **14 Years**

[21] Appl. No.: **13,209**

[22] Filed: **Sep. 20, 1993**

[52] U.S. Cl. **D23/293.1**

[58] Field of Search **D23/284-293.1**

[56] **References Cited**

U.S. PATENT DOCUMENTS

D. 202,411	9/1965	Niemann	D23/293.1
D. 215,291	9/1969	Owings	D23/293.1
D. 218,520	8/1970	Audino et al.	D23/293.1
D. 222,465	10/1971	Anderson	D23/293.1
D. 238,070	12/1975	Ganger	D23/293.1
D. 246,050	10/1977	Garasi	D23/293.1
D. 260,678	9/1981	Hiller	D23/293.1
D. 312,123	11/1990	Enthoven	D23/293.1
D. 319,691	9/1991	Yvetot	D23/293.1
D. 332,996	2/1993	Hart et al.	D23/293.1
4,991,241	2/1991	Bergmann	4/619

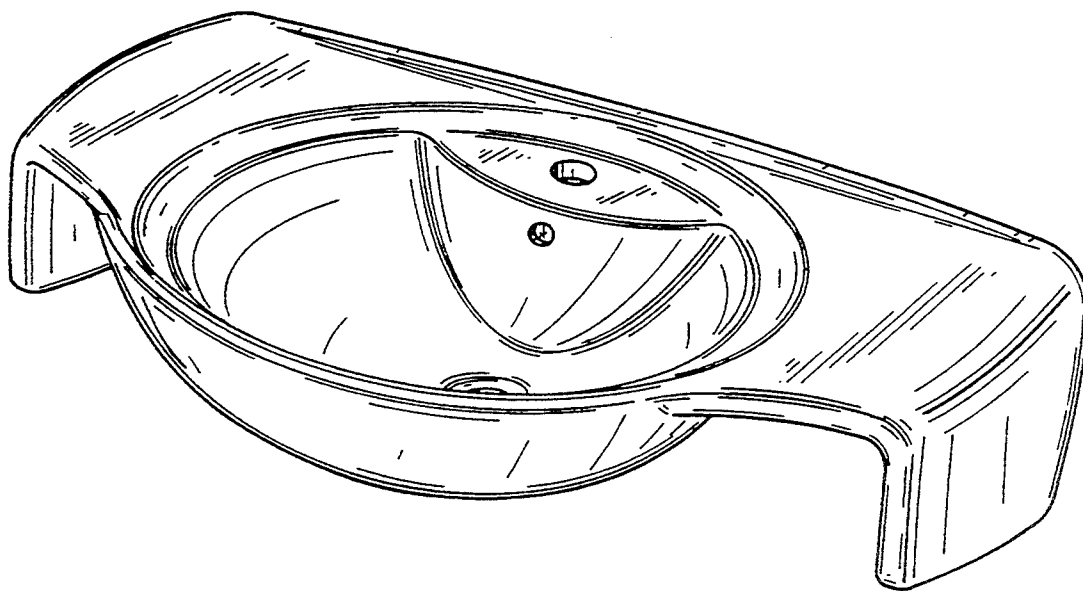
Primary Examiner—Louis S. Zarfaz
Assistant Examiner—Eric Watterson
Attorney, Agent, or Firm—Elaine Brenner Robinson;
Ann M. Knab

[57] **CLAIM**

The ornamental design for a lavatory, as shown and described.

DESCRIPTION

FIG. 1 is a top, front and right side perspective view of a design for a lavatory showing my new design;
FIG. 2 is a left side elevational view thereof, the right side being a mirror image of the left side;
FIG. 3 is a front elevational view thereof;
FIG. 4 is a top plan view thereof;
FIG. 5 is a bottom plan view thereof;
FIG. 6 is a rear elevational view thereof;
FIG. 7 is a top, front and right side perspective view of a second embodiment thereof;
FIG. 8 is a left side elevational view of FIG. 7, the right side being a mirror image of the left side;
FIG. 9 is a front elevational view of FIG. 7;
FIG. 10 is a top plan view of FIG. 7;
FIG. 11 is a bottom plan view of FIG. 7; and,
FIG. 12 is a rear elevational view of FIG. 7.



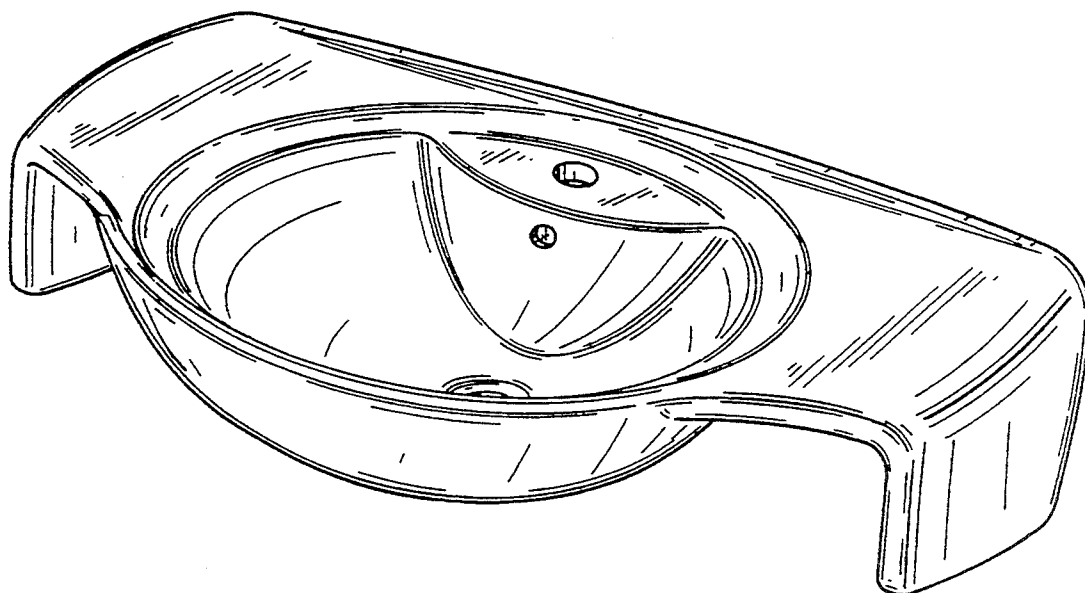


FIG. 1

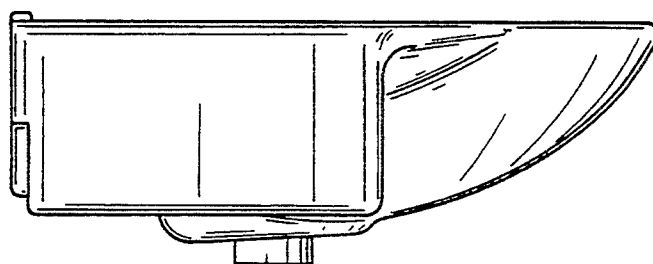


FIG. 2

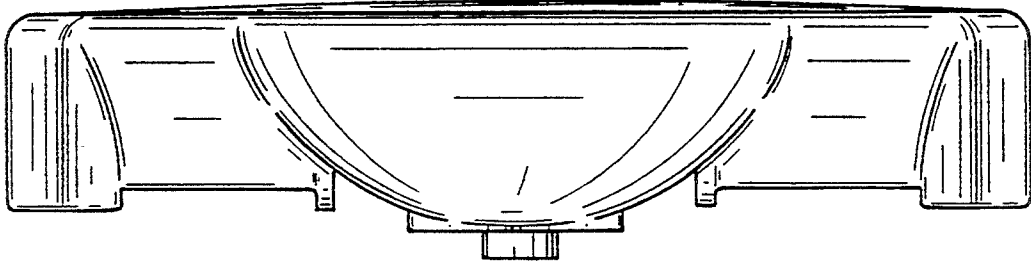


FIG. 3

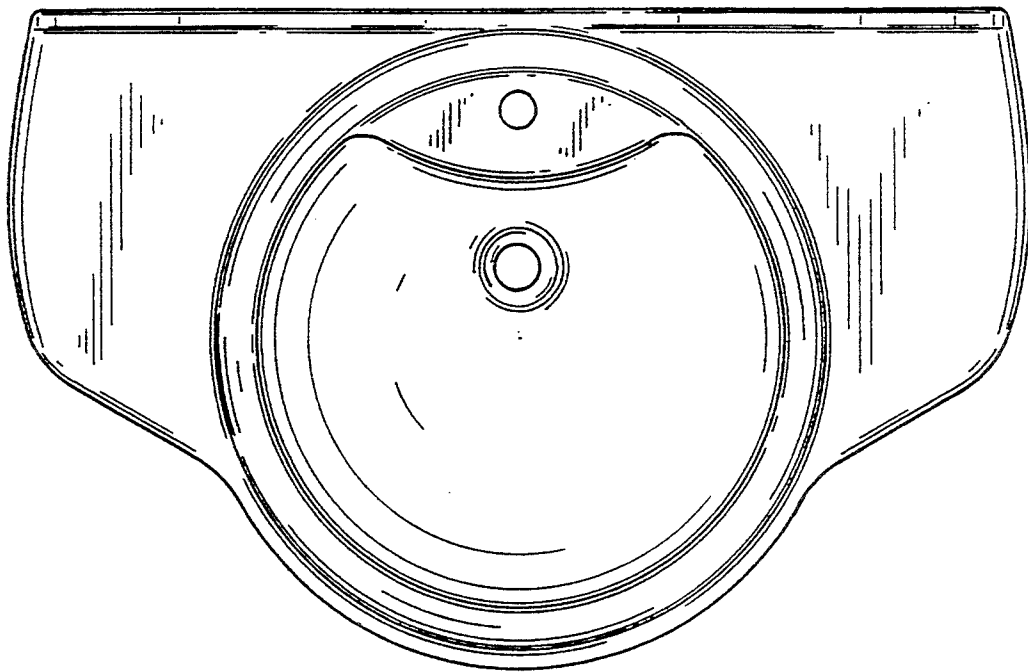


FIG. 4

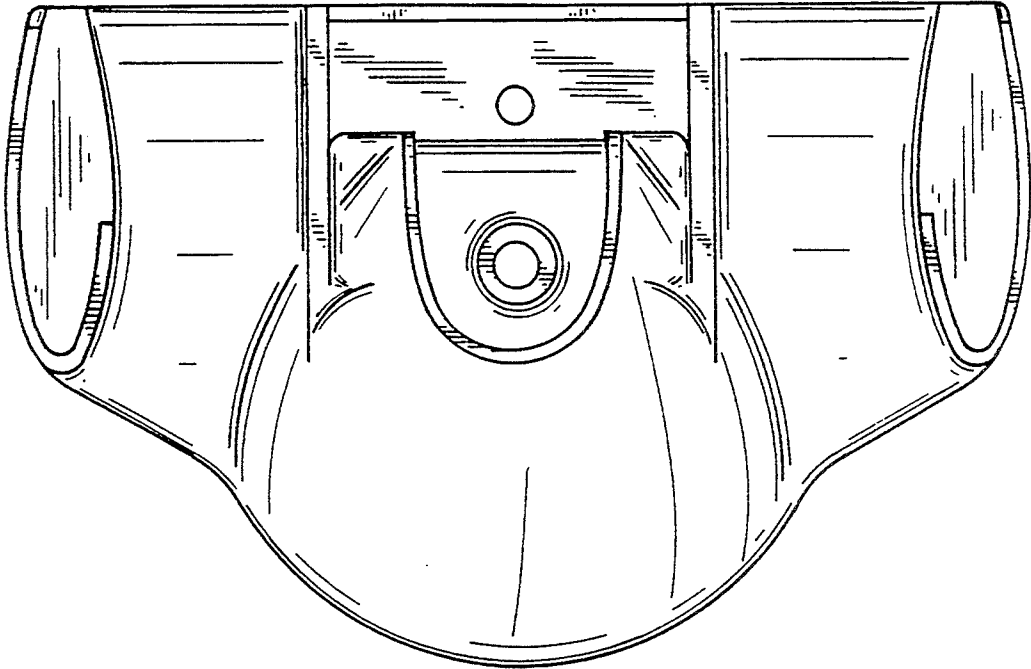


FIG. 5

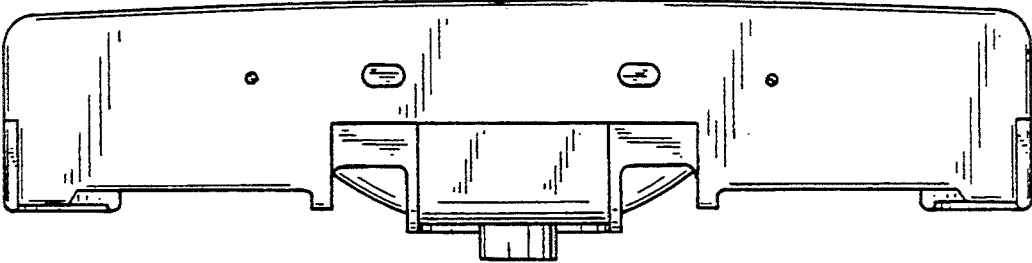


FIG. 6

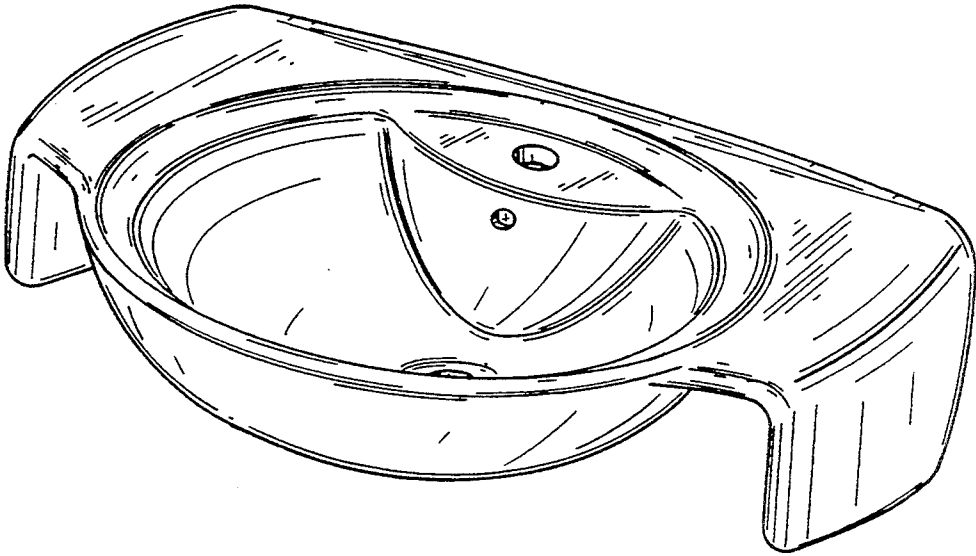


FIG. 7

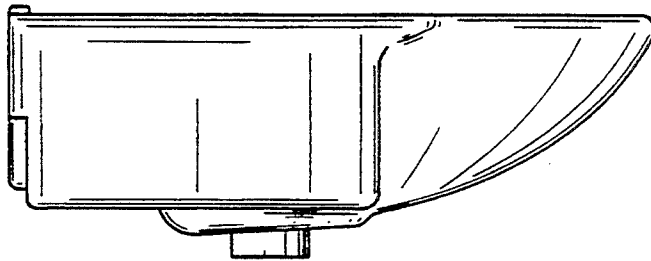


FIG. 8

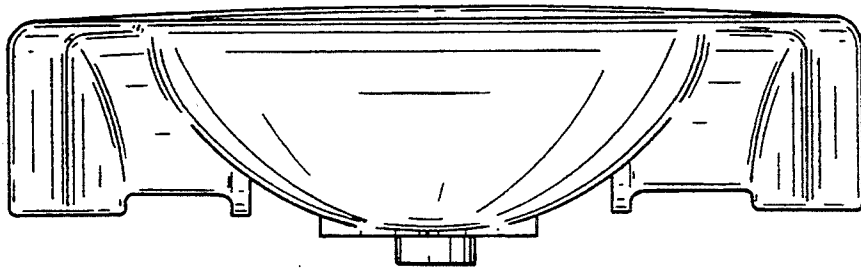


FIG. 9

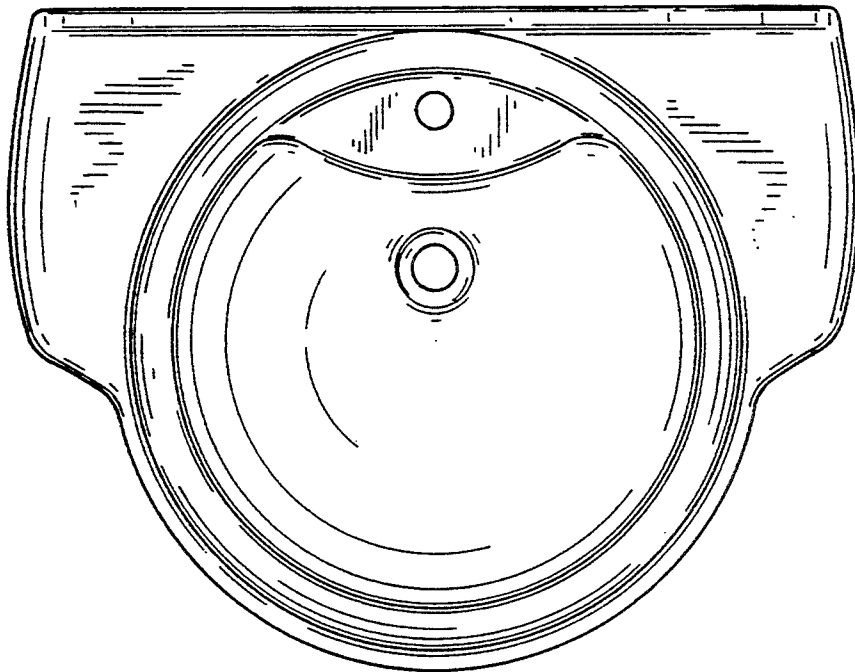


FIG. 10

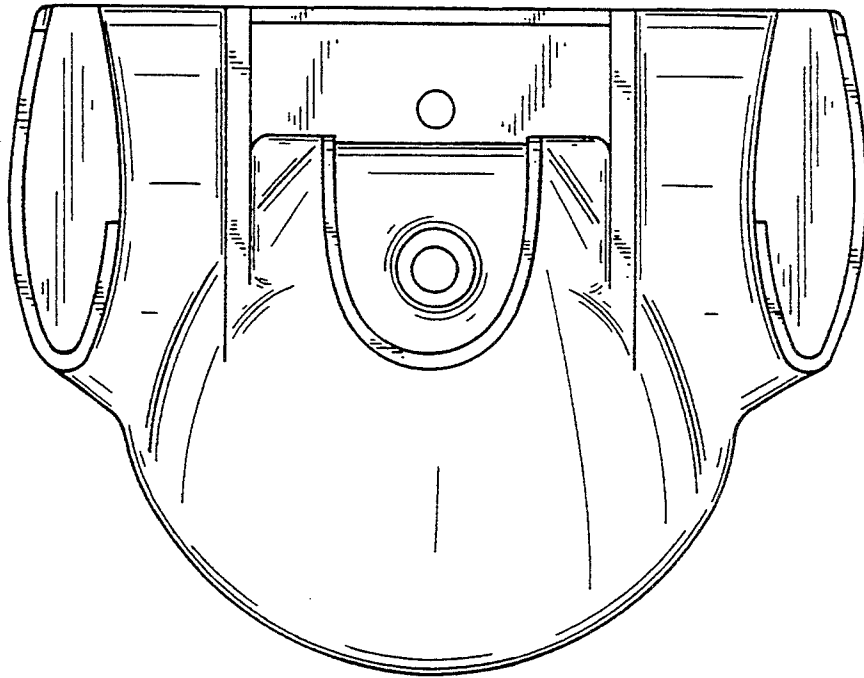


FIG. 11

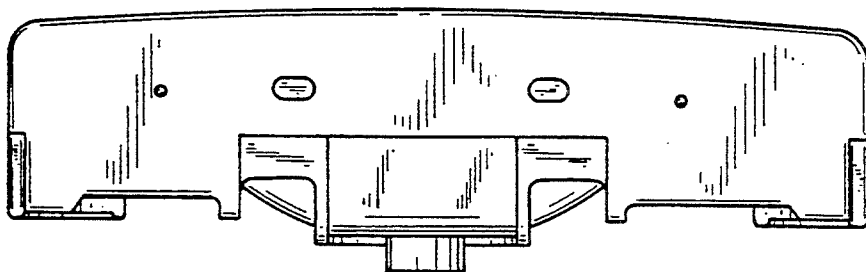


FIG. 12