



US00D780902S

(12) **United States Design Patent**  
**Gajewski**

(10) **Patent No.:** **US D780,902 S**  
(45) **Date of Patent:** **\*\* Mar. 7, 2017**

- (54) **CEILING FAN**
- (71) Applicant: **Minka Lighting, Inc.**, Corona, CA (US)
- (72) Inventor: **Mark Gajewski**, Avila Beach, CA (US)
- (73) Assignee: **Minka Lighting, Inc.**, Corona, CA (US)
- (\*\*) Term: **15 Years**

D535,011 S	1/2007	Gajewski	
D535,387 S	1/2007	Gajewski	
D535,388 S	1/2007	Gajewski	
D536,083 S	1/2007	Gajewski	
D670,802 S	11/2012	Wang	
D671,203 S	11/2012	Wang	
D678,997 S *	3/2013	Gajewski	..... D23/372
D680,210 S	4/2013	Chan	

(Continued)

- (21) Appl. No.: **29/552,865**
- (22) Filed: **Jan. 26, 2016**

**Related U.S. Application Data**

- (63) Continuation-in-part of application No. 29/511,467, filed on Dec. 10, 2014, now abandoned.
- (51) **LOC (10) Cl.** ..... **23-04**
- (52) **U.S. Cl.**  
USPC ..... **D23/377**
- (58) **Field of Classification Search**  
USPC ..... D23/377, 387, 411-414, 499; 416/1, 5, 416/170 R, 214 R, 184, 206, 207, 210 R, 416/220 R, 244 R, 248; 392/364; D26/59, 51, 72, 73, 80-86, 88, 90  
CPC .... F04D 25/088; F04D 29/601; F04D 29/322; F04D 29/324; F21V 33/0096; B64C 11/16; B64C 11/26  
See application file for complete search history.

**References Cited**

**U.S. PATENT DOCUMENTS**

2,023,454 A *	12/1935	Warren	..... B64C 11/16
			416/234
2,058,122 A *	10/1936	Assala	..... B64C 11/16
			416/234
D131,699 S *	3/1942	Funk	..... 416/202

**OTHER PUBLICATIONS**

Ariel Ceiling Fan. [legendaustin.com](http://legendaustin.com) [online] 1 page. Jul. 2013. [retrieved on Aug. 14, 2015]. Retrieved from Internet: <<http://www.legendaustin.com/wp-content/uploads/2013/07/fan3.jpg>>.\*

*Primary Examiner* — Susan Bennett Hattan

*Assistant Examiner* — Marie Fast Horse

(74) *Attorney, Agent, or Firm* — Baker & McKenzie LLP

(57) **CLAIM**

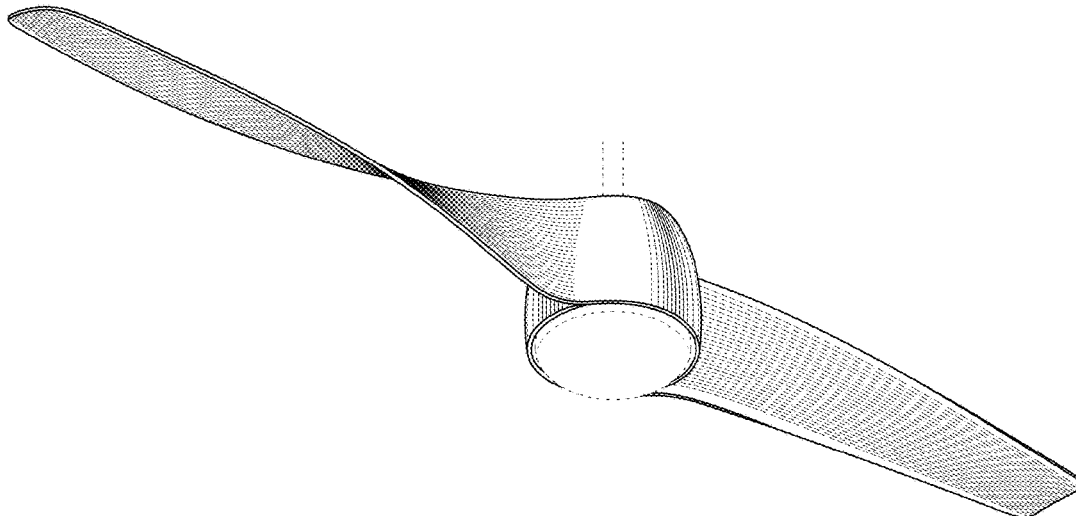
The ornamental design for a ceiling fan, as shown and described.

**DESCRIPTION**

FIG. 1 is a perspective view of a ceiling fan in accordance with my design;  
FIG. 2 is a top plan view of the ceiling fan in accordance with my design;  
FIG. 3 is a bottom plan view of the ceiling fan in accordance with my design;  
FIG. 4 is a front side view of the ceiling fan in accordance with my design, the rear side being identical thereto; and,  
FIG. 5 is a left side elevation view of the ceiling fan in accordance with my design, the opposite side view being identical thereto.

The broken-line disclosure of elements is understood to represent portions of the article in which the design is embodied, but which form no part of the claimed design.

**1 Claim, 2 Drawing Sheets**



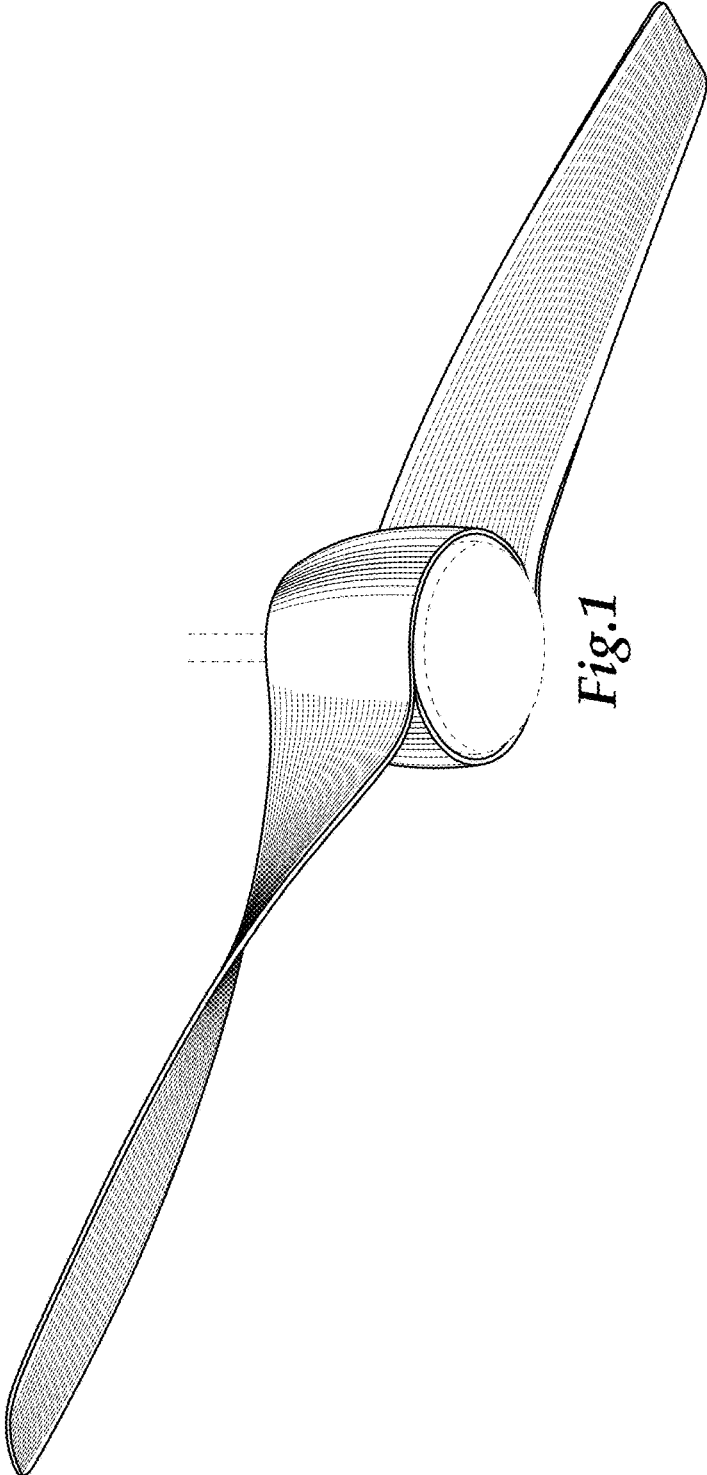
(56)

**References Cited**

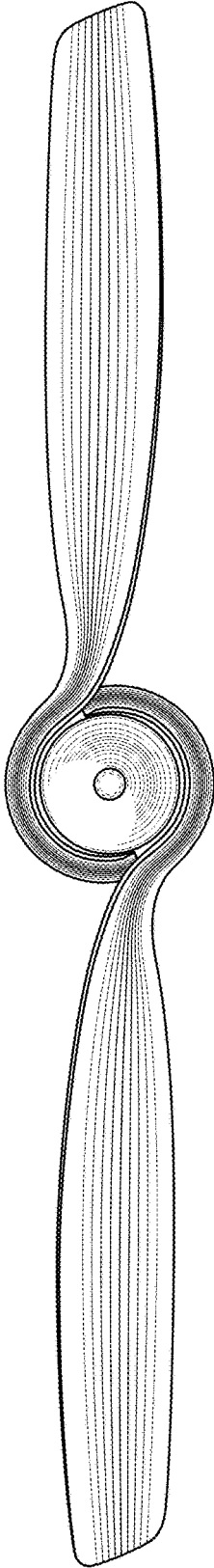
U.S. PATENT DOCUMENTS

D715,419	S	10/2014	Schulzman	
D715,421	S *	10/2014	Schulzman	D23/413
D716,438	S	10/2014	Liu	
D721,430	S	1/2015	Schulzman	
D726,297	S *	4/2015	Liu	D23/377
D741,468	S	10/2015	Ertze	
D750,213	S *	2/2016	Schulzman	D23/385
D762,296	S *	7/2016	Badarello	D23/377
2007/0104583	A1	5/2007	Gajewski	
2009/0220347	A1 *	9/2009	Ball	B64C 11/26 416/229 R
2012/0177496	A1	7/2012	Gajewski	
2016/0131152	A1 *	5/2016	Wang	F04D 29/34 416/214 R

\* cited by examiner



*Fig.1*



*Fig.2*

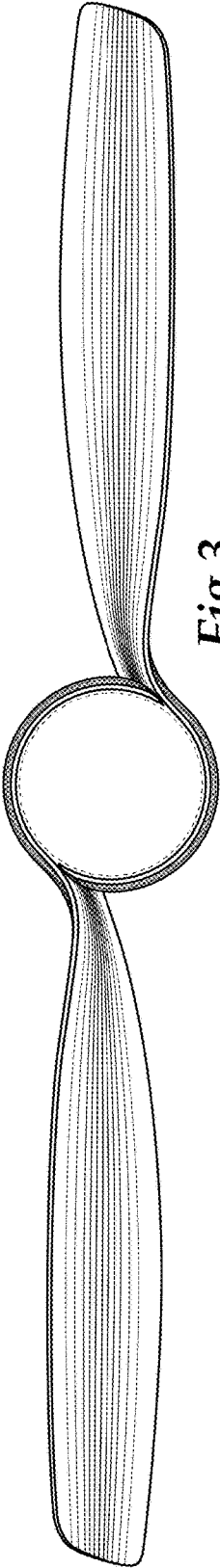


Fig.3

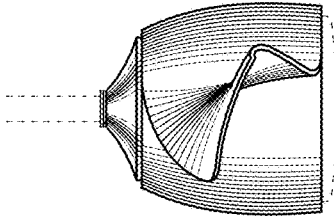


Fig.4

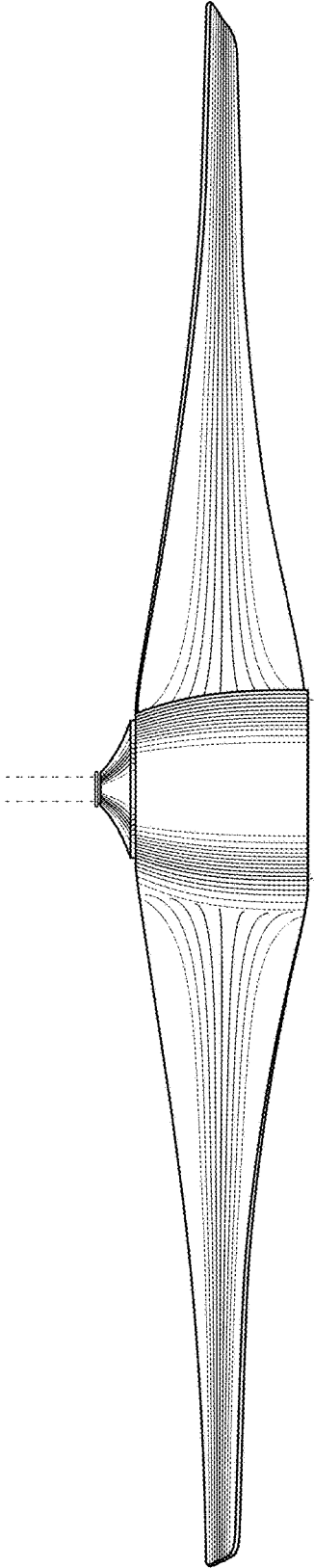


Fig.5