



US00D380478S

United States Patent [19]

[11] Patent Number: **Des. 380,478**

Robbins et al.

[45] Date of Patent: ****Jul. 1, 1997**

[54] **MULTI-POSITION TROLLING MOTOR HEAD AND HANDLE**

4,129,088 12/1978 Foley, Jr. 440/6 X
5,171,174 12/1992 Mynster 440/7

[75] Inventors: **Jack Robbins**, Derby, Kans.; **William A. Henderson**, Starkville, Miss.

Primary Examiner—Doris V. Coles
Assistant Examiner—Frank Martinez
Attorney, Agent, or Firm—Rosenblatt & Redano, P.C.

[73] Assignee: **Brunswick Corporation**, Lake Forest, Ill.

[57] CLAIM

[**] Term: **14 Years**

The ornamental design for a multi-position trolling motor head and handle, as shown and described.

[21] Appl. No.: **37,832**

DESCRIPTION

[22] Filed: **Apr. 20, 1995**

FIG. 1 is a top view of the multi-position trolling motor head and handle;

[51] LOC (6) Cl. **15-01**

FIG. 2 is a bottom view of the multi-position trolling motor head and handle;

[52] U.S. Cl. **D15/4**

FIG. 3 is a right view of the multi-position trolling motor head and handle;

[58] Field of Search D15/4, 5; 84/426, 84/721, 746; 440/6, 7, 62; 114/153, 144 E, 145 A

FIG. 4 is a left view of the multi-position trolling motor head and handle;

[56] References Cited

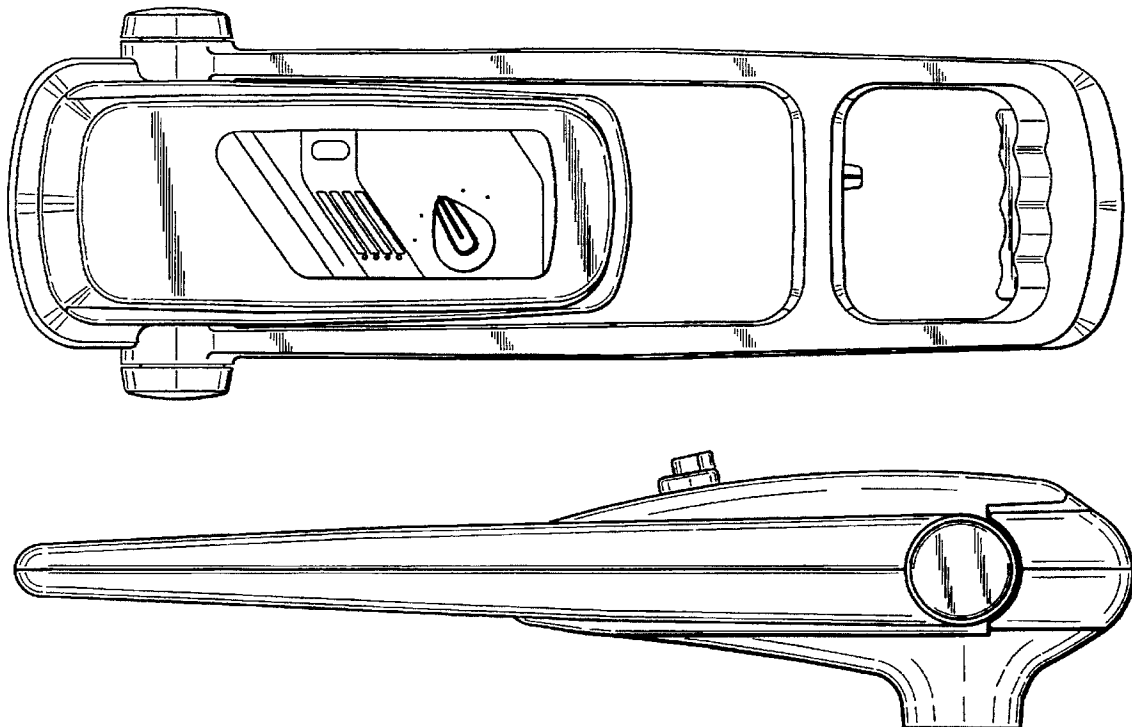
FIG. 5 is a back view of the multi-position trolling motor head and handle; and,

U.S. PATENT DOCUMENTS

FIG. 6 is a front view of the multi-position trolling motor head and handle.

D. 308,525	6/1990	Robbins	D15/4
D. 312,259	11/1990	Robbins	D15/4
3,598,947	8/1971	Osborn	440/7 X

1 Claim, 2 Drawing Sheets



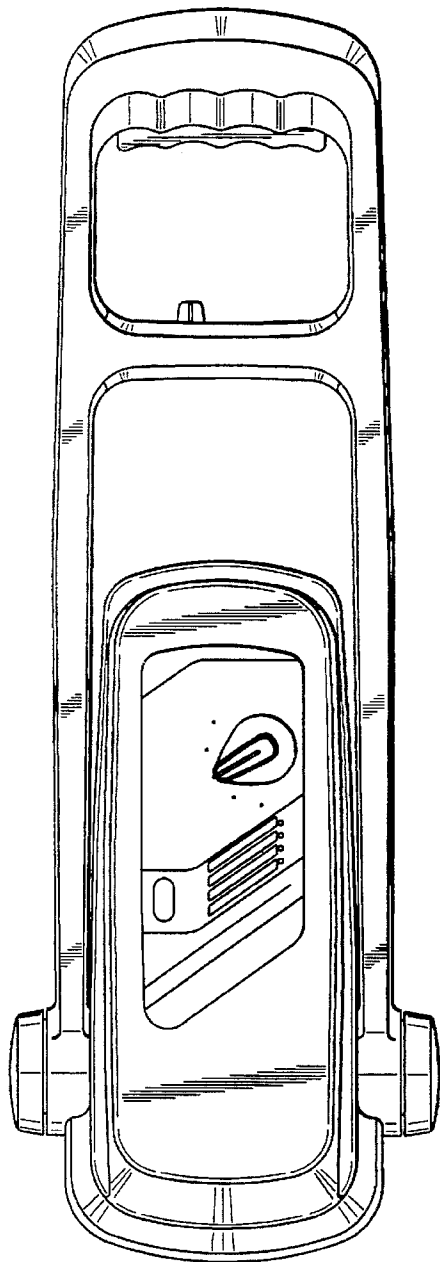


FIG. 1

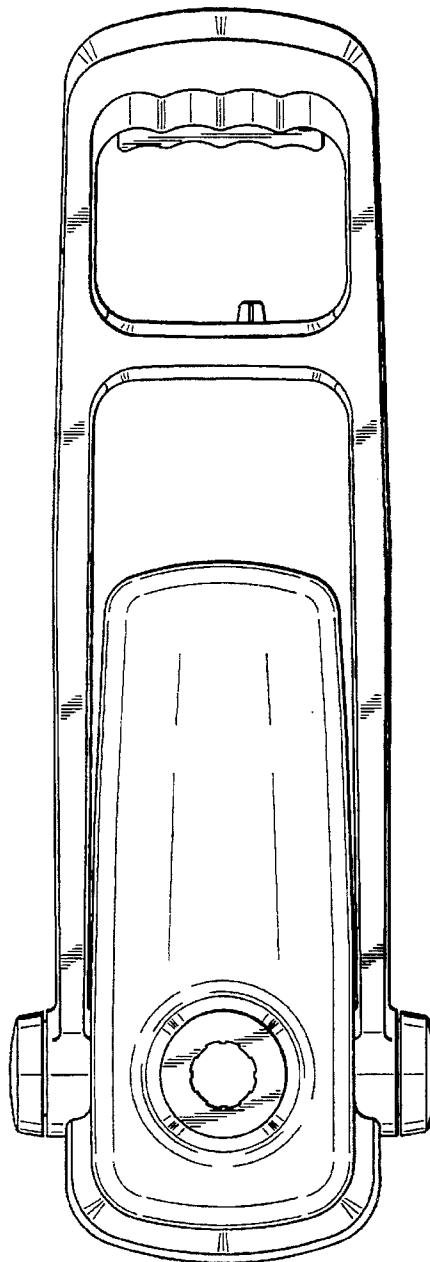


FIG. 2

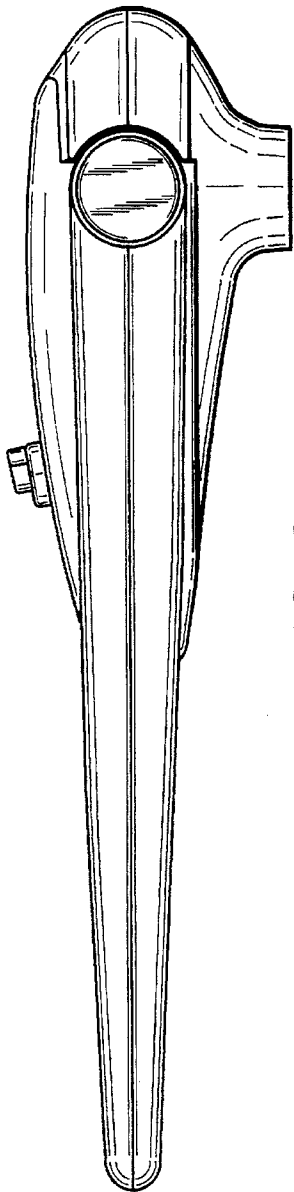


FIG. 3

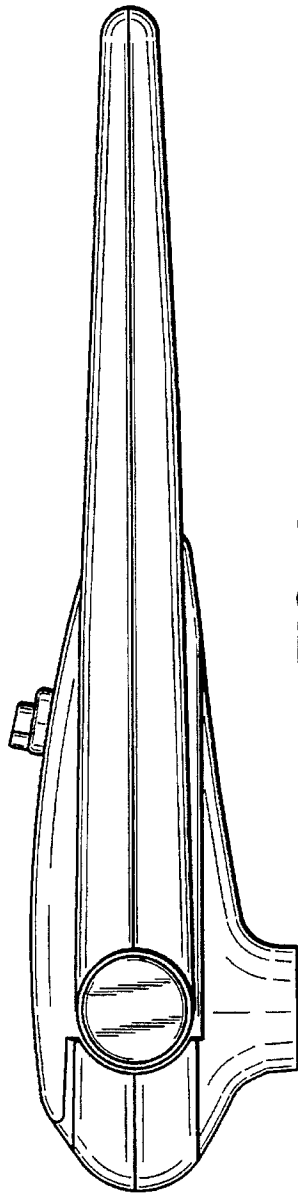


FIG. 4

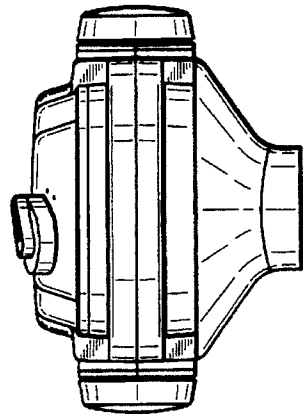


FIG. 6

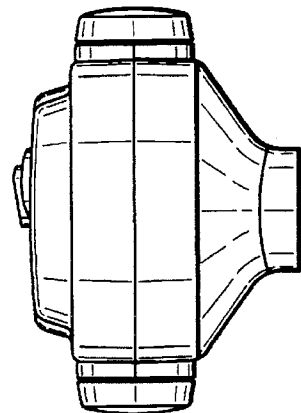


FIG. 5