



(51) International Patent Classification:

A61F 2/44 (2006.01) A61F 2/28 (2006.01)  
A61B 17/70 (2006.01)

(21) International Application Number:

PCT/US2012/028179

(22) International Filing Date:

8 March 2012 (08.03.2012)

(25) Filing Language:

English

(26) Publication Language:

English

(30) Priority Data:

61/466,729 23 March 2011 (23.03.2011) US

(71) Applicant (for all designated States except US): **ALPHATEC SPINE, INC.** [US/US]; 5818 El Camino Real, Carlsbad, CA 92008 (US).

(72) Inventor; and

(75) Inventor/Applicant (for US only): **REIMELS, William** [US/US]; 3808 Vista Campana S. Unit #29, Oceanside, CA 92057 (US).

(74) Agent: **SHEVLIN, Michael, R.**; Alphatec Spine, Inc., 5818 El Camino Real, Carlsbad, CA 92008 (US).

(81) Designated States (unless otherwise indicated, for every kind of national protection available): AE, AG, AL, AM, AO, AT, AU, AZ, BA, BB, BG, BH, BR, BW, BY, BZ,

CA, CH, CL, CN, CO, CR, CU, CZ, DE, DK, DM, DO, DZ, EC, EE, EG, ES, FI, GB, GD, GE, GH, GM, GT, HN, HR, HU, ID, IL, IN, IS, JP, KE, KG, KM, KN, KP, KR, KZ, LA, LC, LK, LR, LS, LT, LU, LY, MA, MD, ME, MG, MK, MN, MW, MX, MY, MZ, NA, NG, NI, NO, NZ, OM, PE, PG, PH, PL, PT, QA, RO, RS, RU, RW, SC, SD, SE, SG, SK, SL, SM, ST, SV, SY, TH, TJ, TM, TN, TR, TT, TZ, UA, UG, US, UZ, VC, VN, ZA, ZM, ZW.

(84) Designated States (unless otherwise indicated, for every kind of regional protection available): ARIPO (BW, GH, GM, KE, LR, LS, MW, MZ, NA, RW, SD, SL, SZ, TZ, UG, ZM, ZW), Eurasian (AM, AZ, BY, KG, KZ, MD, RU, TJ, TM), European (AL, AT, BE, BG, CH, CY, CZ, DE, DK, EE, ES, FI, FR, GB, GR, HR, HU, IE, IS, IT, LT, LU, LV, MC, MK, MT, NL, NO, PL, PT, RO, RS, SE, SI, SK, SM, TR), OAPI (BF, BJ, CF, CG, CI, CM, GA, GN, GQ, GW, ML, MR, NE, SN, TD, TG).

Published:

- with international search report (Art. 21(3))
- before the expiration of the time limit for amending the claims and to be republished in the event of receipt of amendments (Rule 48.2(h))

(88) Date of publication of the international search report: 8 November 2012

(54) Title: EXPANDABLE INTERBODY SPACER

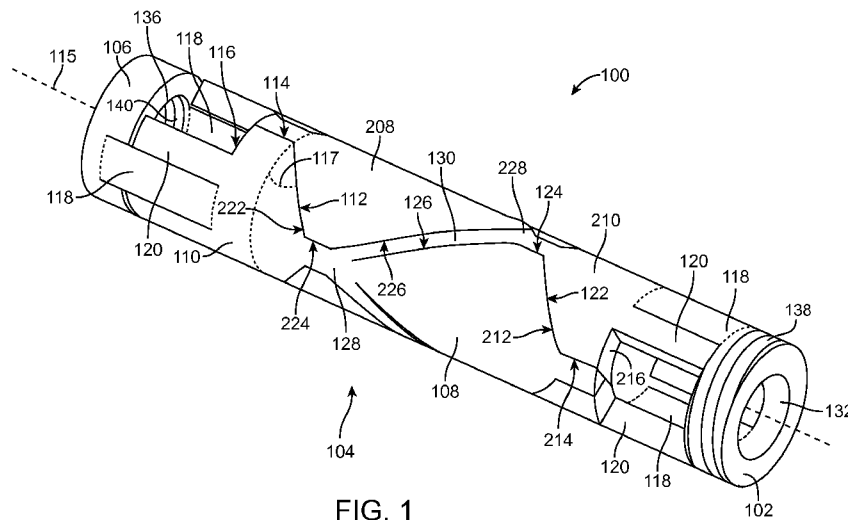
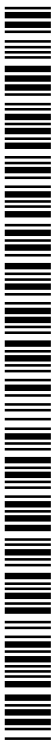


FIG. 1

(57) Abstract: An expandable intervertebral spacer includes a body, a proximal end, and a distal end. The body includes quadrants that form a substantially cylindrical shape in a first configuration and a substantially cuboidal shape in a second configuration. Each quadrant includes a ramp portion with a ramp and a landing and a sliding portion with a sliding side and a foot. The ramp portion of a first quadrant engages the sliding portion of a second quadrant. The proximal end and the distal end couple with the plurality of quadrants and transfer an actuating force to expand the body from the first configuration to the second configuration.



## INTERNATIONAL SEARCH REPORT

International application No.  
**PCT/US2012/028179****A. CLASSIFICATION OF SUBJECT MATTER***A61F 2/44(2006.01)i, A61B 17/70(2006.01)i, A61F 2/28(2006.01)i*

According to International Patent Classification (IPC) or to both national classification and IPC

**B. FIELDS SEARCHED**

Minimum documentation searched (classification system followed by classification symbols)

A61F 2/44; A61F 2/30; A61F 5/04; A61B 17/58

Documentation searched other than minimum documentation to the extent that such documents are included in the fields searched

Korean utility models and applications for utility models

Japanese utility models and applications for utility models

Electronic data base consulted during the international search (name of data base and, where practicable, search terms used)

eKOMPASS(KIPO internal) &amp; Keywords: intervertebral, spacer, quadrant, cylindrical, cuboidal, ramp, sliding, interlocking, section, geometry, proximal, distal

**C. DOCUMENTS CONSIDERED TO BE RELEVANT**

Category*	Citation of document, with indication, where appropriate, of the relevant passages	Relevant to claim No.
X A	US 2004-0193158 A1 (LIM, R. et al.) 30 September 2004 See abstract; figures 6,7; claims 1-19.	11, 18 1-10, 12-17, 19, 20
X A	US 2009-0222100 A1 (CIPOLETTI, R. & ALHEIDT, T.) 03 September 2009 See abstract; figures 5,6; paragraphs [0036],[0045]; claims 26-33.	11, 18 1-10, 12-17, 19, 20
A	US 5171278 A (PISHARODI, M.) 15 December 1992 See the whole document.	1-20
A	US 2006-0224241 A1 (BUTLER, M. S. & MILELLAR JR., M. J.) 05 October 2006 See the whole document.	1-20
A	US 2009-0281628 A1 (OGLAZA, J. F. & VIENNEY, C.) 12 November 2009 See the whole document.	1-20
A	US 5059193 A (KUSLICH, S. D.) 22 October 1991 See the whole document.	1-20

 Further documents are listed in the continuation of Box C. See patent family annex.

\* Special categories of cited documents:

"A" document defining the general state of the art which is not considered to be of particular relevance

"E" earlier application or patent but published on or after the international filing date

"L" document which may throw doubts on priority claim(s) or which is cited to establish the publication date of citation or other special reason (as specified)

"O" document referring to an oral disclosure, use, exhibition or other means

"P" document published prior to the international filing date but later than the priority date claimed

"T" later document published after the international filing date or priority date and not in conflict with the application but cited to understand the principle or theory underlying the invention

"X" document of particular relevance; the claimed invention cannot be considered novel or cannot be considered to involve an inventive step when the document is taken alone

"Y" document of particular relevance; the claimed invention cannot be considered to involve an inventive step when the document is combined with one or more other such documents, such combination being obvious to a person skilled in the art

"&amp;" document member of the same patent family

Date of the actual completion of the international search

18 SEPTEMBER 2012 (18.09.2012)

Date of mailing of the international search report

**19 SEPTEMBER 2012 (19.09.2012)**

Name and mailing address of the ISA/KR

Korean Intellectual Property Office  
189 Cheongsu-ro, Seo-gu, Daejeon Metropolitan  
City, 302-701, Republic of Korea

Facsimile No. 82-42-472-7140

Authorized officer

JEONG, JAE CHEOL

Telephone No. 82-42-481-8403



**INTERNATIONAL SEARCH REPORT**

Information on patent family members

International application No.

**PCT/US2012/028179**

Patent document cited in search report	Publication date	Patent family member(s)	Publication date
US 2004-0193158 A1	30.09.2004	AU 2003-279163 A1	06.01.2004
		AU 2005-330069 A1	16.11.2006
		AU 2005-330069 A8	07.08.2008
		CA 2490318 A1	31.12.2003
		CA 2559979 A1	02.10.2005
		EP 1519685 A2	06.04.2005
		EP 1519685 B1	20.12.2006
		JP 2005-538754 A	22.12.2005
		JP 2008-512218 A	24.04.2008
		US 2003-0236520 A1	25.12.2003
		US 2006-0241643 A1	26.10.2006
		US 7070598 B2	04.07.2006
		US 7087055 B2	08.08.2006
		WO 2007-097735 A2	30.08.2007
		WO 2007-097735 A3	08.11.2007
		US 2009-0222100 A1	03.09.2009
US 5171278 A	15.12.1992	CA 2104391 A1	23.08.1992
		CA 2104391 C	24.01.2006
		EP 0571555 A1	01.12.1993
		EP 0571555 B1	27.03.1996
		JP 03-390431 B2	17.01.2003
		US 5390683 A	21.02.1995
		US 5693100 A	02.12.1997
		WO 92-14423 A1	03.09.1992
US 2006-0224241 A1	05.10.2006	AU 2006-230512 A1	05.10.2006
		EP 1863415 A2	12.12.2007
		JP 2008-534162 A	28.08.2008
		US 2010-0305705 A1	02.12.2010
		US 7731751 B2	08.06.2010
		WO 2006-105437 A2	05.10.2006
		WO 2006-105437 A3	28.06.2007
US 2009-0281628 A1	12.11.2009	WO 2009-125242 A1	15.10.2009
US 5059193 A	22.10.1991	None	