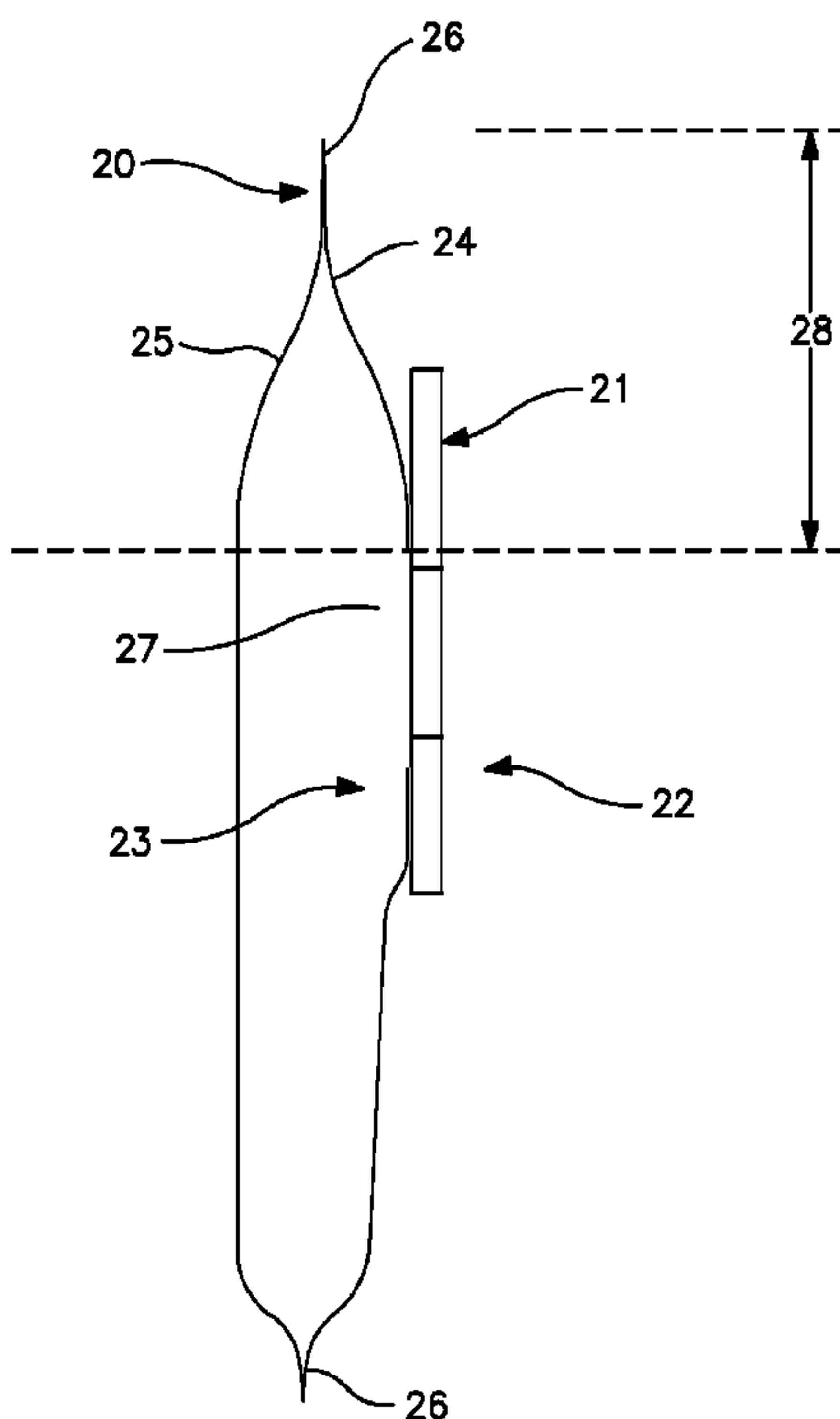




(86) **Date de dépôt PCT/PCT Filing Date:** 2009/11/30
 (87) **Date publication PCT/PCT Publication Date:** 2010/05/27
 (45) **Date de délivrance/Issue Date:** 2017/02/14
 (85) **Entrée phase nationale/National Entry:** 2011/04/12
 (86) **N° demande PCT/PCT Application No.:** US 2009/066100
 (87) **N° publication PCT/PCT Publication No.:** 2010/060115
 (30) **Priorité/Priority:** 2008/11/19 (US61/116,173)

(51) **Cl.Int./Int.Cl. A61F 5/448** (2006.01),
A61F 5/443 (2006.01)
 (72) **Inventeurs/Inventors:**
 FATTMAN, GEORGE, US;
 OBERHOLTZER, GARY, US
 (73) **Propriétaire/Owner:**
 CONVATEC TECHNOLOGIES INC., US
 (74) **Agent:** OSLER, HOSKIN & HARCOURT LLP

(54) **Titre : APPAREIL A ETUI D'OSTOMIE**
 (54) **Title: OSTOMY POUCH APPLIANCE**



(57) **Abrégé/Abstract:**

A coupling assembly for fastening an adhesive wafer to an ostomy appliance device, the coupling assembly including a captive connection between the adhesive wafer and ostomy appliance that permits captive relative displacement between the entire adhesive wafer and the entrance aperture of the appliance, to facilitate access to the wafer from the non-body-contacting side. The coupling assembly further comprises a fixation coupling for fixing the adhesive wafer in the operative position.