



US00D684530S

(12) **United States Design Patent**  
**Moon et al.**

(10) **Patent No.:** **US D684,530 S**

(45) **Date of Patent:** **\*\* Jun. 18, 2013**

(54) **BATTERY**

(75) Inventors: **Dae-Yon Moon**, Yongin-si (KR);  
**Sang-Jin Park**, Yongin-si (KR)

(73) Assignee: **Samsung SDI Co., Ltd.**, Yongin-si (KR)

(\*\*) Term: **14 Years**

(21) Appl. No.: **29/417,928**

(22) Filed: **Apr. 10, 2012**

(30) **Foreign Application Priority Data**

Oct. 12, 2011 (KR) ..... 30-2011-0042372

(51) **LOC (9) Cl.** ..... **13-02**

(52) **U.S. Cl.**  
USPC ..... **D13/103**

(58) **Field of Classification Search**  
USPC ..... D13/102-106, 110, 118-119, 184;  
429/96-100, 163, 176  
See application file for complete search history.

(56) **References Cited**

**U.S. PATENT DOCUMENTS**

D386,742 S *	11/1997	Amero et al.	.....	D13/103
D422,263 S *	4/2000	Waldner	.....	D13/103
D440,201 S *	4/2001	Huynh et al.	.....	D13/103
D481,995 S *	11/2003	Yokota	.....	D13/103
D515,026 S *	2/2006	Schlieffers et al.	.....	D13/103
D524,241 S *	7/2006	Takeshita et al.	.....	D13/103
D532,363 S *	11/2006	Morisawa	.....	D13/103
D642,980 S *	8/2011	Inaba	.....	D13/119
D644,988 S *	9/2011	Finney et al.	.....	D13/103

D649,933 S *	12/2011	Wang et al.	.....	D13/110
D661,249 S *	6/2012	Smith et al.	.....	D13/110
D666,148 S *	8/2012	Inaba	.....	D13/119
D669,427 S *	10/2012	Ignor et al.	.....	D13/103

\* cited by examiner

*Primary Examiner* — Rosemary K Tarcza  
(74) *Attorney, Agent, or Firm* — Christie, Parker & Hale, LLP

(57) **CLAIM**

The ornamental design for a battery, as shown and described.

**DESCRIPTION**

FIG. 1 is a front perspective view of the battery;  
FIG. 2 a front elevational view thereof;  
FIG. 3 is a rear elevational view thereof;  
FIG. 4 is a left side view thereof;  
FIG. 5 is a right side view thereof;  
FIG. 6 is a plan view thereof;  
FIG. 7 is a bottom view thereof; and  
FIG. 8 is a reference expanded view of portion A of the battery shown in FIG. 4;  
FIG. 9 is a reference expanded view of portion B of the battery shown in FIG. 5;  
FIG. 10 is a reference expanded view of portion C of the battery shown in FIG. 6;  
FIG. 11 is a reference expanded view of portion D of the battery shown in FIG. 6; and,  
FIG. 12 is a reference expanded view of portion E of the battery shown in FIG. 7.

**1 Claim, 6 Drawing Sheets**

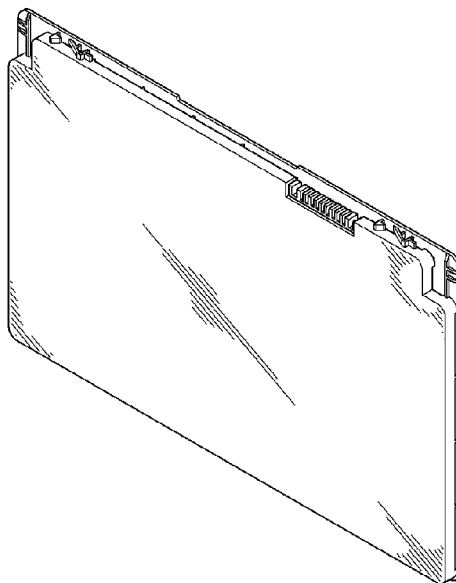


FIG. 1

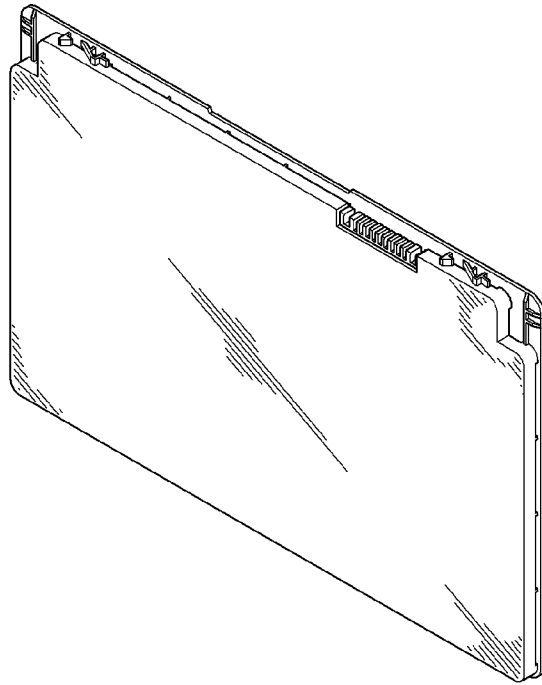


FIG. 2

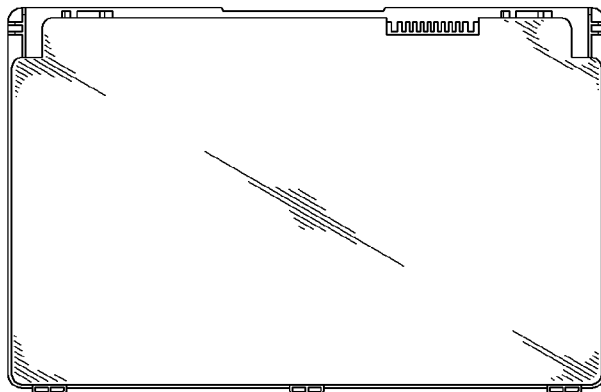


FIG. 3

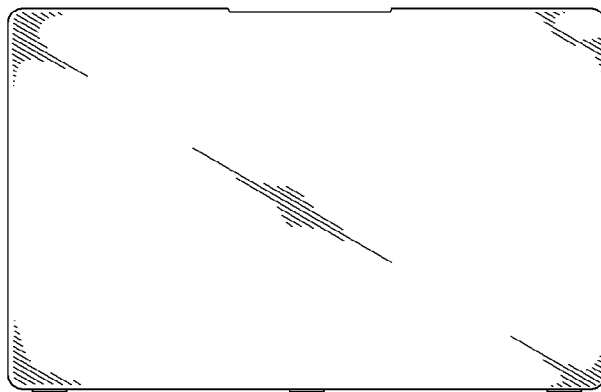


FIG. 4

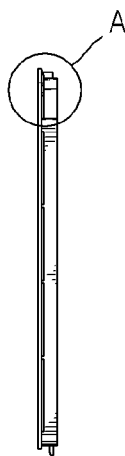


FIG. 5

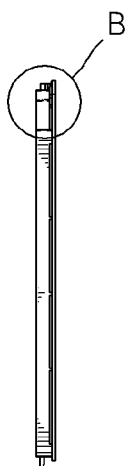


FIG. 6

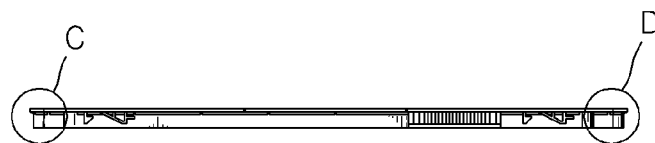


FIG. 7

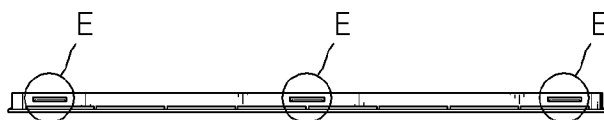


FIG. 8

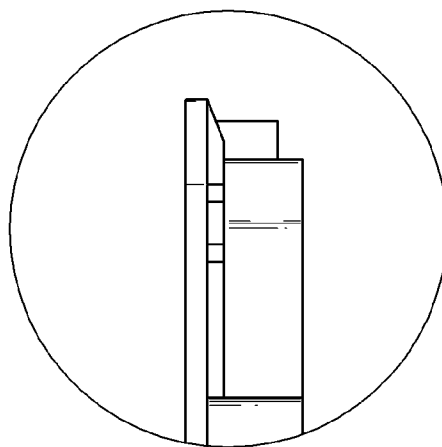


FIG. 9

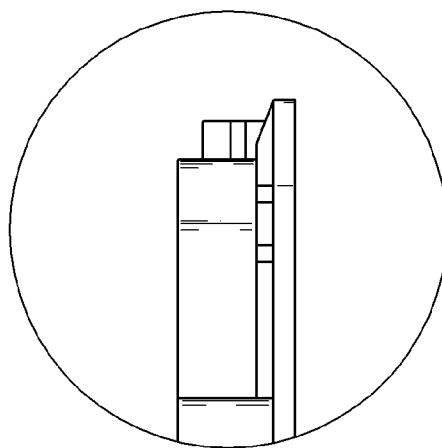


FIG. 10

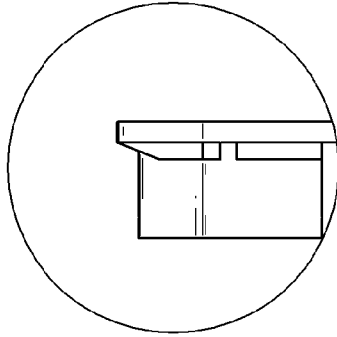


FIG. 11

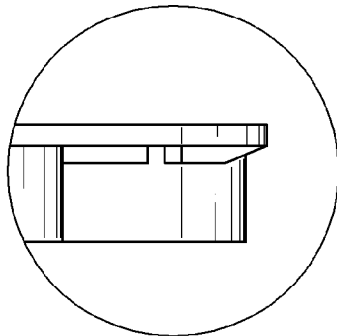


FIG. 12

