



- (51) **International Patent Classification:**  
B25F 5/00 (2006.01)      B23B 45/14 (2006.01)  
B25B 23/00 (2006.01)
- (21) **International Application Number:**  
PCT/US2011/025054
- (22) **International Filing Date:**  
16 February 2011 (16.02.2011)
- (25) **Filing Language:** English
- (26) **Publication Language:** English
- (30) **Priority Data:**  
61/305,059    16 February 2010 (16.02.2010)    US
- (71) **Applicant (for all designated States except US):** MILWAUKEE ELECTRIC TOOL CORPORATION; 13135 West Lisbon Road, Brookfield, WI 53005 (US).
- (72) **Inventors; and**
- (75) **Inventors/Applicants (for US only):** NEITZELL, Roger, D. [US/US]; W1576 Marsh Road, Palmyra, WI 53156 (US). BEINLICH, Kaitlyn [US/US]; 2402 North 54th Street, Milwaukee, WI 53210 (US). MALLOY, Ryan, J. [US/US]; 3560 N Oakland, Apt. 1, Shorewood, WI 53211 (US).
- (74) **Agent:** OTTERLEE, Thomas, J.; Michael Best & Friedrich Llp, 100 East Wisconsin Avenue, Suite 3300, Milwaukee, WI 53202 (US).

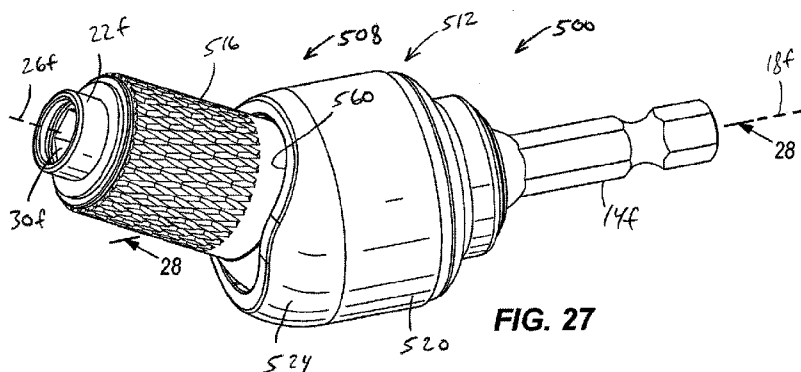
- (81) **Designated States (unless otherwise indicated, for every kind of national protection available):** AE, AG, AL, AM, AO, AT, AU, AZ, BA, BB, BG, BH, BR, BW, BY, BZ, CA, CH, CL, CN, CO, CR, CU, CZ, DE, DK, DM, DO, DZ, EC, EE, EG, ES, FI, GB, GD, GE, GH, GM, GT, HN, HR, HU, ID, IL, IN, IS, JP, KE, KG, KM, KN, KP, KR, KZ, LA, LC, LK, LR, LS, LT, LU, LY, MA, MD, ME, MG, MK, MN, MW, MX, MY, MZ, NA, NG, NI, NO, NZ, OM, PE, PG, PH, PL, PT, RO, RS, RU, SC, SD, SE, SG, SK, SL, SM, ST, SV, SY, TH, TJ, TM, TN, TR, TT, TZ, UA, UG, US, UZ, VC, VN, ZA, ZM, ZW.
- (84) **Designated States (unless otherwise indicated, for every kind of regional protection available):** ARIPO (BW, GH, GM, KE, LR, LS, MW, MZ, NA, SD, SL, SZ, TZ, UG, ZM, ZW), Eurasian (AM, AZ, BY, KG, KZ, MD, RU, TJ, TM), European (AL, AT, BE, BG, CH, CY, CZ, DE, DK, EE, ES, FI, FR, GB, GR, HR, HU, IE, IS, IT, LT, LU, LV, MC, MK, MT, NL, NO, PL, PT, RO, RS, SE, SI, SK, SM, TR), OAPI (BF, BJ, CF, CG, CI, CM, GA, GN, GQ, GW, ML, MR, NE, SN, TD, TG).

**Published:**

- with international search report (Art. 21(3))
- before the expiration of the time limit for amending the claims and to be republished in the event of receipt of amendments (Rule 48.2(h))

(88) **Date of publication of the international search report:**  
5 January 2012

(54) **Title:** DRIVER ACCESSORY



**FIG. 27**

(57) **Abstract:** A driver accessory includes a housing having a first housing portion and a second housing portion movable relative to the first housing portion, an input shaft at least partially received in the first housing portion and defining a first axis, and an output shaft at least partially received in the second housing portion and defining a second axis. The output shaft is supportable by the housing in a first position relative to the input shaft in which the first and second axes are substantially parallel, and in a second position relative to the input shaft in which the first and second axes are non-parallel. The driver accessory also includes a locking mechanism operable to secure the second housing portion relative to the first housing portion when the output shaft is in the first position and the second position relative to the input shaft.



## INTERNATIONAL SEARCH REPORT

International application No.  
**PCT/US2011/025054****A. CLASSIFICATION OF SUBJECT MATTER*****B25F 5/00(2006.01)i, B25B 23/00(2006.01)i, B23B 45/14(2006.01)i***

According to International Patent Classification (IPC) or to both national classification and IPC

**B. FIELDS SEARCHED**

Minimum documentation searched (classification system followed by classification symbols)

B25F 5/00; B25B 23/00; B23B 45/14

Documentation searched other than minimum documentation to the extent that such documents are included in the fields searched

Korean utility models and applications for utility models  
Japanese utility models and applications for utility models

Electronic data base consulted during the international search (name of data base and, where practicable, search terms used)

eKOMPASS(KIPO internal) &amp; Keywords: driver, accessory, housing, shaft, articulate, lock, and similar terms

**C. DOCUMENTS CONSIDERED TO BE RELEVANT**

Category*	Citation of document, with indication, where appropriate, of the relevant passages	Relevant to claim No.
X	WO 2005-070616 A1 (CONCEPT TO REALITY PTY LTD.) 04 August 2005 See abstract, pages 8-18, and figures 1a-7b.	1-31
X A	EP 1775075 A2 (TECHTRONIC INDUSTRIES CO., LTD.) 18 April 2007 See paragraphs 36-39, 41, 43, 49-50, and figures 1-27.	1-20, 23-31 21-22
A	JP 3135810 U (MOTOKOMA, INC.) 05 September 2007 See paragraphs 23-49, and figures 1-6.	1-31
A	JP 09-201777 A (TOP KOGYO K.K.) 05 August 1997 See paragraphs 30-34, and figures 1-3.	1-31
A	JP 08-118247 A (TOP KOGYO K.K.) 14 May 1996 See paragraphs 28-33, and figures 1-3.	1-31
A	EP 1466714 A1 (ARCOTENDE DI CESARE VERSIO) 13 October 2004 See paragraphs 15-16, and figure 1.	1-31
A	US 2002-0157506 A1 (SCHADE, ROBERT L.) 31 October 2002 See abstract, and figures 1-4.	1-31

 Further documents are listed in the continuation of Box C. See patent family annex.

\* Special categories of cited documents:

"A" document defining the general state of the art which is not considered to be of particular relevance

"E" earlier application or patent but published on or after the international filing date

"L" document which may throw doubts on priority claim(s) or which is cited to establish the publication date of citation or other special reason (as specified)

"O" document referring to an oral disclosure, use, exhibition or other means

"P" document published prior to the international filing date but later than the priority date claimed

"T" later document published after the international filing date or priority date and not in conflict with the application but cited to understand the principle or theory underlying the invention

"X" document of particular relevance; the claimed invention cannot be considered novel or cannot be considered to involve an inventive step when the document is taken alone

"Y" document of particular relevance; the claimed invention cannot be considered to involve an inventive step when the document is combined with one or more other such documents, such combination being obvious to a person skilled in the art

"&amp;" document member of the same patent family

Date of the actual completion of the international search

27 OCTOBER 2011 (27.10.2011)

Date of mailing of the international search report

**27 OCTOBER 2011 (27.10.2011)**

Name and mailing address of the ISA/KR

Korean Intellectual Property Office  
Government Complex-Daejeon, 189 Cheongsu-ro,  
Seo-gu, Daejeon 302-701, Republic of Korea

Facsimile No. 82-42-472-7140

Authorized officer

LEE, Eunju

Telephone No. 82-42-481-5469



**INTERNATIONAL SEARCH REPORT**

Information on patent family members

International application No.

**PCT/US2011/025054**

Patent document cited in search report	Publication date	Patent family member(s)	Publication date
WO 2005-070616 A1	04.08.2005	AU 2005-207083 A1	04.08.2005
		CA 2548475 A1	04.08.2005
		CN 1910010 A	07.02.2007
		EA 008361 B1	27.04.2007
		EA 200601357 A1	29.12.2006
		EP 1720682 A1	15.11.2006
		EP 1720682 A4	11.06.2008
		JP 2007-518581 A	12.07.2007
		US 2007-0259723 A1	08.11.2007
		EP 1775075 A2	18.04.2007
CA 2561989 A1	14.04.2007		
CN 1947957 A	18.04.2007		
EP 1775075 A3	12.03.2008		
EP 2260981 A1	15.12.2010		
US 2007-0084616 A1	19.04.2007		
US 2008-0087449 A1	17.04.2008		
JP 3135810 U	05.09.2007	None	
JP 09-201777 A	05.08.1997	None	
JP 08-118247 A	14.05.1996	None	
EP 1466714 A1	13.10.2004	IT T020030065 U1	10.10.2004
US 2002-0157506 A1	31.10.2002	US 2003-0131693 A1	17.07.2003
		US 6862958 B2	08.03.2005