



US00D636776S

(12) **United States Design Patent**
Kuroda et al.

(10) **Patent No.:** **US D636,776 S**

(45) **Date of Patent:** **** Apr. 26, 2011**

(54) **SCANNER**

(75) Inventors: **Satoshi Kuroda**, Kahoku (JP); **Hiroyuki Kuroda**, Kahoku (JP); **Minoru Sugitani**, Kahoku (JP); **Toshiki Satoji**, Milan (IT); **Alvise Gangarossa**, Milan (IT)

(73) Assignee: **PFU Limited**, Kahoku-shi (JP)

(**) Term: **14 Years**

(21) Appl. No.: **29/364,523**

(22) Filed: **Jun. 24, 2010**

(30) **Foreign Application Priority Data**

Apr. 7, 2010 (JP) 2010-008728

(51) **LOC (9) Cl.** **14-02**

(52) **U.S. Cl.** **D14/422**

(58) **Field of Classification Search** D14/420-425, D14/462-470, 389, 125, 399; D18/50, 54, D18/55, 53, 36-39, 14, 18-21, 49, 52, 51, D18/54.4; 358/400, 401, 448, 474, 486-488, 358/496; 382/312, 317, 321, 315; 400/613, 400/613.1-613.4, 690.1-690.4, 691-694, 400/88, 175; 399/107, 379, 380, 211, 212; 235/462.11, 462.41, 472.01, 470, 462.43; 361/680, 681

See application file for complete search history.

(56) **References Cited**

U.S. PATENT DOCUMENTS

D35,254 S	11/1901	Faber
D195,010 S	4/1963	Reick
D201,300 S	6/1965	Seely, Jr.
D208,294 S	8/1967	Dallaire
D248,243 S	6/1978	South
D272,429 S	1/1984	Trombley et al.
D284,565 S	7/1986	Trombley et al.
D289,780 S	5/1987	Kenney

D289,891 S	5/1987	Bielby	
D292,990 S	12/1987	Eliasson	
D297,465 S	8/1988	Nally et al.	
D300,918 S	5/1989	Turner	
D308,506 S	6/1990	Nozel et al.	
D308,696 S	6/1990	Tanizawa et al.	
D310,539 S	9/1990	Komada et al.	
D311,756 S	10/1990	Groswith et al.	
D314,212 S	1/1991	Komada et al.	
D316,869 S *	5/1991	Sugawara et al.	D18/54
D361,402 S	8/1995	Herst et al.	
D362,014 S	9/1995	Ishibashi et al.	
D366,900 S *	2/1996	Pangburn et al.	D18/50
D373,595 S *	9/1996	Askren et al.	D18/50
D375,119 S *	10/1996	Pangburn	D18/50
D378,525 S	3/1997	Ito	
D378,829 S	4/1997	Aoyama et al.	
D382,256 S *	8/1997	Lin	D14/422
D388,182 S	12/1997	Payton et al.	
D401,617 S	11/1998	Miyazawa	
D401,965 S *	12/1998	Pangburn	D18/55
D402,686 S	12/1998	Miyazawa	

(Continued)

Primary Examiner — Susan Moon Lee

(74) *Attorney, Agent, or Firm* — RatnerPrestia

(57) **CLAIM**

The ornamental design for a scanner, as shown and described.

DESCRIPTION

FIG. 1 is a front perspective view of a scanner showing our new design;

FIG. 2 is a rear perspective view thereof;

FIG. 3 is a front view thereof;

FIG. 4 is a rear view thereof;

FIG. 5 is a left side view thereof;

FIG. 6 is a right side view thereof;

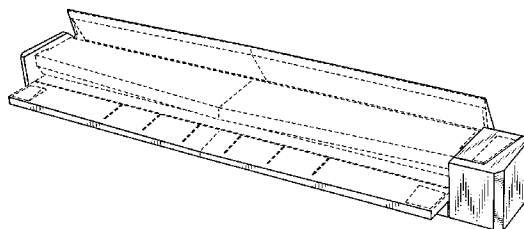
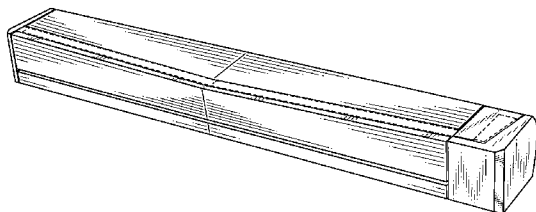
FIG. 7 is a top plan view thereof;

FIG. 8 is a bottom plan view thereof; and,

FIG. 9 is a front perspective view thereof in open position.

The broken lines are environmental only and form no part of the claimed design.

1 Claim, 2 Drawing Sheets



US D636,776 S

Page 2

U.S. PATENT DOCUMENTS

5,878,306 A	3/1999	Michlin		
D414,508 S *	9/1999	Pangburn	D18/55	
D420,663 S *	2/2000	Goldenberg et al.	D14/138 AB	
D421,768 S *	3/2000	Blair et al.	D18/50	
D422,570 S *	4/2000	Kobayashi	D14/509	
D423,563 S *	4/2000	Collins et al.	D18/55	
D424,099 S *	5/2000	Pangburn	D18/50	
D424,608 S	5/2000	Yorifuji et al.		
D432,565 S *	10/2000	Gassett et al.	D18/55	
D433,443 S *	11/2000	Ito et al.	D18/55	
D435,266 S *	12/2000	Sekine et al.	D18/55	
D435,267 S *	12/2000	Beck et al.	D18/55	
D438,891 S	3/2001	Hoshino et al.		
D438,895 S *	3/2001	Pangburn	D18/55	
D439,183 S	3/2001	Diller, Jr.		
D439,607 S *	3/2001	Inoue et al.	D18/54	
6,231,043 B1 *	5/2001	James et al.	271/209	
D447,511 S	9/2001	Kimura et al.		
D452,706 S *	1/2002	Senshiki	D18/55	
D454,583 S *	3/2002	Whitby et al.	D18/50	
D463,485 S *	9/2002	Yoshida et al.	D18/50	
D465,515 S *	11/2002	Hwang et al.	D18/55	
D466,552 S *	12/2002	Hwang et al.	D18/55	
D466,920 S *	12/2002	Kawahara et al.	D18/50	
D467,265 S	12/2002	Suzuki et al.		
D468,333 S	1/2003	Fenton		
D469,551 S	1/2003	Mobius		
D470,172 S *	2/2003	Tatara et al.	D18/55	
D471,583 S	3/2003	Okabe et al.		
6,540,219 B1 *	4/2003	Naruse et al.	271/37	
D474,770 S *	5/2003	Chujou et al.	D14/425	
6,557,992 B1 *	5/2003	Dwyer et al.	347/108	
6,568,674 B2 *	5/2003	Matsuda	271/274	
D478,119 S *	8/2003	Hwang et al.	D18/55	
D480,752 S *	10/2003	Tatara et al.	D18/55	
D483,059 S *	12/2003	Goh et al.	D18/50	
D483,060 S *	12/2003	Wong et al.	D18/50	
D483,061 S *	12/2003	Wong	D18/55	
6,676,318 B2 *	1/2004	Hwang et al.	400/693	
D486,178 S *	2/2004	Wong et al.	D18/55	
		6,707,584 B1 *	3/2004	Morita 358/498
		D489,401 S *	5/2004	Senshiki et al. D18/54
		D492,958 S	7/2004	Karakama et al.
		D492,960 S *	7/2004	Takizawa D18/54
		D493,245 S	7/2004	Delson
		D496,395 S	9/2004	Miyagawa
		6,786,665 B2 *	9/2004	Hwang et al. 400/693
		D497,940 S *	11/2004	Hwang et al. D18/50
		6,848,685 B2 *	2/2005	Katsuyama 271/162
		6,899,422 B2 *	5/2005	Strowe et al. 347/108
		6,899,474 B2 *	5/2005	Uchida et al. 400/27
		6,962,412 B2 *	11/2005	Koike et al. 347/108
		D514,161 S *	1/2006	Wong et al. D18/55
		6,991,331 B2 *	1/2006	Kagami et al. 347/108
		7,029,113 B2 *	4/2006	Hwang 347/108
		D521,545 S	5/2006	Ishii et al.
		D523,469 S *	6/2006	Hwang et al. D18/50
		D523,894 S	6/2006	Ishii et al.
		D524,851 S *	7/2006	Wong et al. D18/55
		D532,544 S	11/2006	Woertler
		D533,897 S *	12/2006	Workman et al. D18/34.3
		D534,204 S *	12/2006	Workman et al. D18/34.3
		D536,731 S *	2/2007	Tate et al. D18/50
		D543,583 S *	5/2007	Workman et al. D18/34.3
		D545,891 S *	7/2007	Ramos et al. D18/49
		D549,705 S *	8/2007	Sugitani et al. D14/422
		7,265,869 B2 *	9/2007	Silverbrook et al. 358/1.3
		7,290,952 B2 *	11/2007	Kagami 400/693
		D559,893 S	1/2008	Kouroku et al.
		D563,413 S *	3/2008	Kuroda et al. D14/422
		D564,519 S *	3/2008	Genatossio et al. D14/422
		D571,934 S	6/2008	Stokes et al.
		7,431,447 B2 *	10/2008	Jensen 347/108
		D601,754 S	10/2009	Keene
		D605,103 S	12/2009	Schuephaus et al.
		D629,128 S	12/2010	Lim et al.
		2003/0030712 A1 *	2/2003	Kawaguchi et al. 347/104
		2003/0206762 A1 *	11/2003	Hwang et al. 400/693
		2004/0004642 A1 *	1/2004	Koike et al. 347/5
		2004/0207144 A1 *	10/2004	Kanome et al. 271/9.01

* cited by examiner

Fig.1

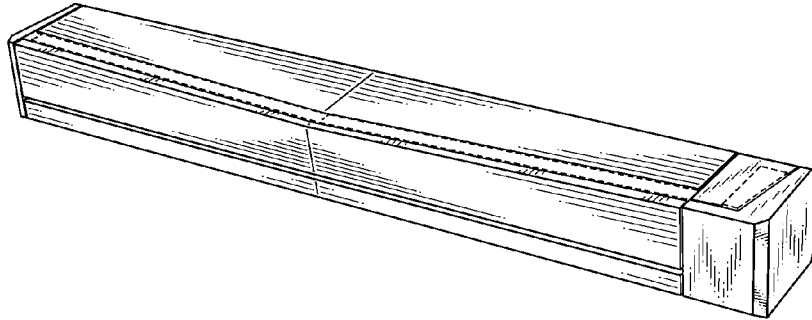


Fig.2

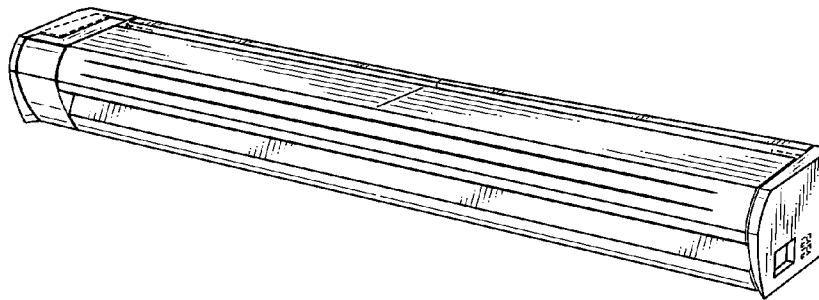


Fig.3



Fig.4

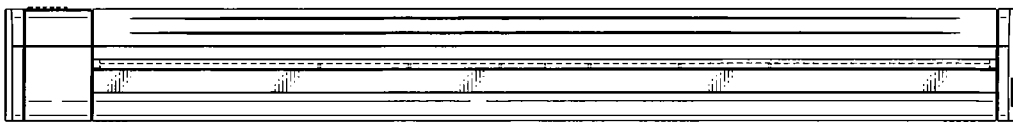


Fig.5

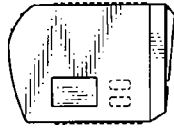


Fig.6

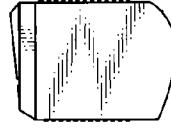


Fig.7

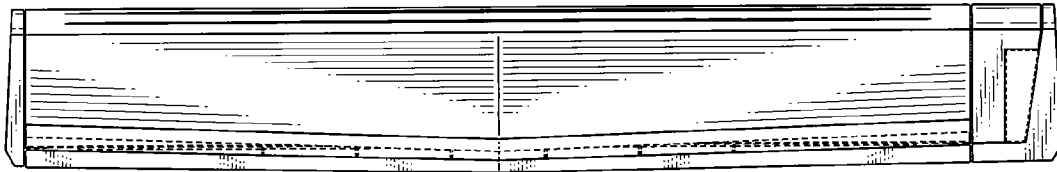


Fig.8

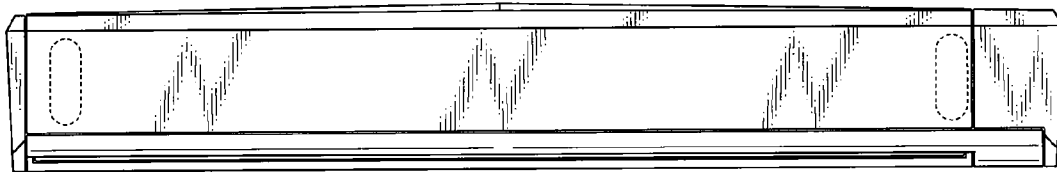


Fig.9

