



- (51) International Patent Classification:
A61B 5/15 (2006.01) A61B 5/151 (2006.01)
- (21) International Application Number:
PCT/GB2012/050761
- (22) International Filing Date:
4 April 2012 (04.04.2012)
- (25) Filing Language: English
- (26) Publication Language: English
- (30) Priority Data:
1105950.8 8 April 2011 (08.04.2011) GB
61/473,251 8 April 2011 (08.04.2011) US
- (71) Applicant (for all designated States except US): **OWEN MUMFORD LIMITED**; Brook Hill, Woodstock, Oxford, Oxfordshire OX20 1TU (GB).
- (72) Inventors; and
- (75) Inventors/Applicants (for US only): **HUDSON, Christopher** [GB/GB]; 4 Tilgarsley Road, Eynsham, Witney, Oxfordshire OX29 4PP (GB). **MULLER, Timothy** [GB/GB]; 12 Tower Court, Tower Hill, Witney OX28 5EA (GB).
- (74) Agent: **NEWELL, William**; Wynne-Jones, Lainé & James LLP, Essex Place, 22 Rodney Road, Cheltenham, Gloucestershire GL50 1JJ (GB).

- (81) Designated States (unless otherwise indicated, for every kind of national protection available): AE, AG, AL, AM, AO, AT, AU, AZ, BA, BB, BG, BH, BR, BW, BY, BZ, CA, CH, CL, CN, CO, CR, CU, CZ, DE, DK, DM, DO, DZ, EC, EE, EG, ES, FI, GB, GD, GE, GH, GM, GT, HN, HR, HU, ID, IL, IN, IS, JP, KE, KG, KM, KN, KP, KR, KZ, LA, LC, LK, LR, LS, LT, LU, LY, MA, MD, ME, MG, MK, MN, MW, MX, MY, MZ, NA, NG, NI, NO, NZ, OM, PE, PG, PH, PL, PT, QA, RO, RS, RU, RW, SC, SD, SE, SG, SK, SL, SM, ST, SV, SY, TH, TJ, TM, TN, TR, TT, TZ, UA, UG, US, UZ, VC, VN, ZA, ZM, ZW.
- (84) Designated States (unless otherwise indicated, for every kind of regional protection available): ARIPO (BW, GH, GM, KE, LR, LS, MW, MZ, NA, RW, SD, SL, SZ, TZ, UG, ZM, ZW), Eurasian (AM, AZ, BY, KG, KZ, MD, RU, TJ, TM), European (AL, AT, BE, BG, CH, CY, CZ, DE, DK, EE, ES, FI, FR, GB, GR, HR, HU, IE, IS, IT, LT, LU, LV, MC, MK, MT, NL, NO, PL, PT, RO, RS, SE, SI, SK, SM, TR), OAPI (BF, BJ, CF, CG, CI, CM, GA, GN, GQ, GW, ML, MR, NE, SN, TD, TG).

- Published:
- with international search report (Art. 21(3))
 - before the expiration of the time limit for amending the claims and to be republished in the event of receipt of amendments (Rule 48.2(h))

(54) Title: SKIN PENETRATION DEVICE

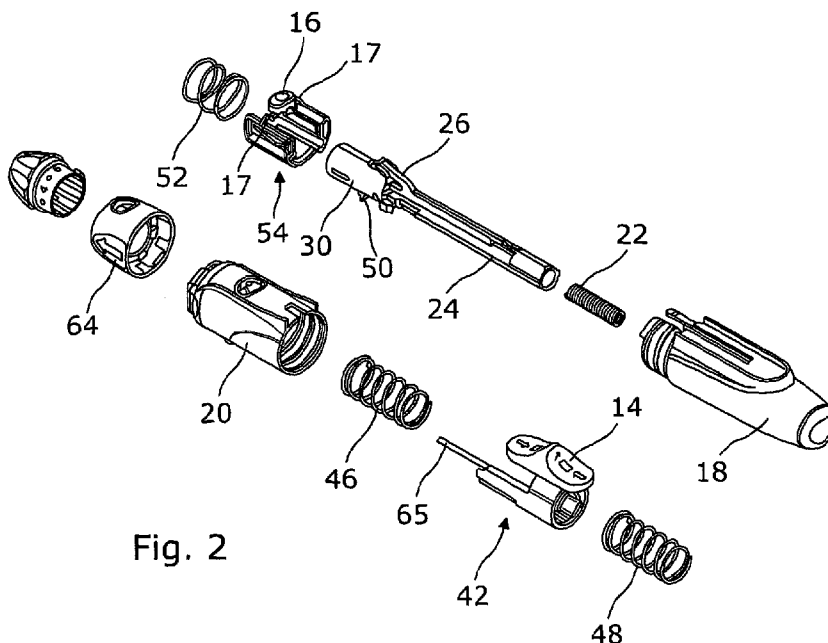


Fig. 2

(57) Abstract: A lancing device comprises a housing (10, 12) and a lancet holder movably mounted within the housing. The lancet holder has a forward portion defining a socket (30) for partially surrounding and retaining in use the rear portion of a lancet. A lancet release element (40, 42) can be moved forward to cooperate with lugs on the socket to expand it to allow insertion and/or removal of the lancet with minimal insertion or withdrawal force.

WO 2012/137001 A1

Skin Penetration Device

This invention relates to skin penetration devices and in particular, but not exclusively, to lancing devices. As will be evident, certain features disclosed herein may be used in applications other than lancing devices, for example in
5 injection devices.

There are many instances where it is required to prick the skin to obtain a sample of capillary blood for e.g. testing for blood glucose level in diabetics. It is important that such devices operate efficiently and can be readily assembled during manufacture. There is a considerable benefit in reducing the number of
10 component parts and thereby facilitating manufacture and assembly thereof. At the same time, it is important to provide safe and reliable operation for the end user.

In one aspect, many lancing devices are designed to be used with a disposable lancet, with the lancet device itself being reused many times. Prior to
15 a lancing operation, a fresh lancet is typically loaded into a lancet holder in the device which is then cocked and fired. After use, the spent lancet, now contaminated with blood, must be removed for disposal. The connection between the lancet holder and lancet needs to be sufficient to retain the lancet securely during operation. It is common for this to be a push fit with a mild form
20 of detent action. In order to release such a lancet it is common to provide a push rod arrangement, which pushes the lancet clear of the holder to eject it. There is a risk with this operation that actively pushing the spent lancet clear of the holder could cause an inadvertent needle stick injury. Also, there is a risk that the pressure on the lancet, once free of the holder, will cause it to catapult or fire

forward. We have therefore designed an arrangement in which the lancet holder can securely retain or grip the lancet but which can be released to allow the spent lancet to drop out without requiring pushing of the lancet.

Another aspect of those lancing devices where the lancet is a push fit into the lancet holder and held there by friction or a detent action, is that there is a significant insertion force required to load the lancet. This can be problematic because it may result in the user inadvertently dislodging the safety cap that typically covers the lancet tip before use thereby exposing or bending the tip, both of which are to be avoided. By providing an arrangement in which a socket in the lancet holder can be expanded means that a lancet can be loaded into the lancet holder with practically zero insertion force, yet be securely retained once loaded.

In our earlier Autolet[®] Life Clinisafe device a wedge element is mounted to be driven transversely to force adjacent wall edges of a lancet holder apart. This transverse wedging action places significant constraints on the design of the device. US2006/0247670, US2009/0043326 and WO2006/096539 disclose arrangements in which a lancet holder is caused to expand by driving a protuberance or wedge transversely into a slot of a slotted lancet holder sleeve.

Accordingly, in one aspect, this invention provides a lancing device having:

a housing;

a lancet holder movably mounted within said housing for movement in a lancing direction, the lancet holder having a forward portion defining a socket for partially surrounding and retaining in use a rear portion of a lancet, the socket

being expandable to allow insertion and/or removal of said lancet, and

a lancet release element movable in a direction generally parallel to said lancing direction between a rest and a release position to cause said socket to move between a lancet retaining condition and an expanded condition.

5 Moving the release element in a direction generally parallel to the lancing direction may allow a longer stroke of movement and therefore less force, than those in which a wedge is inserted transversely.

Conveniently said socket is defined by a generally cylindrical wall of resilient material having a slot therein to allow resilient expansion and/or
10 contraction. The cylindrical wall may be provided with radially outwardly extending abutments spaced one to either side of said slot, with said release element having respective cam surfaces cooperating with said abutment whereby movement of the release element in a direction generally parallel to the lancing direction causes movement of the socket between its lancet retaining
15 condition and its expanded condition. Disposing the lancet release element for longitudinal movement means that the release action of the release element does not project or encroach into the interior of the socket. This means that there is greater design flexibility in designing the release action in terms of axial extent of movement of the release element, and the proportion of the stroke of
20 movement over which expansion of the socket is effected, and the mechanical advantage and/or activation pressure required.

Conveniently, the wall of the socket is shaped, and the abutments are angularly disposed to provide an 'overlap' so that, to expand the socket the abutments are squeezed towards each other to expand the socket, although

arrangements in which the abutments are squeezed apart to expand the socket are possible. Preferably the wall of the socket has a slot comprising forward and rearward angularly offset generally longitudinal extending portions, to provide a wrapping or overlap effect. The overlap may ensure that the lancet in use is held more securely against lateral movement during loading and unloading. Conveniently, said lancet release element is additionally movable to cock the lancet holder. Not only is this technically advantageous as it may allow a reduction in component design and a simpler mechanism, but it also provides intuitive operation.

In devices such as those described above and indeed in devices in which the lancet is pushed out actively, we have found that a possible difficulty arises if the lancet holder moves forward during the release operation. Accordingly, we have designed an arrangement which, when a lancet release element is moved to eject a lancet, the movement thereof is effective also to hold or limit forward movement.

Accordingly, in another aspect, this invention provides a lancing device having:

a housing;

a lancet holder movably mounted within said housing, the lancet holder

having a forward portion for receiving in use a lancet, and

a lancet release element for being moved to allow release of a lancet from said lancet holder,

wherein movement of said lancet release element to release the lancet causes at least one of holding, or limiting, of forward movement of said lancet

holder.

Conveniently said housing, or a component associated therewith, includes a lancet holder restraining element movable between a position in which it blocks forward movement of said lancet holder, and a free position in which forward movement of the lancet holder is not blocked thereby. Said lancet
5 release element may include a control surface which, as said lancet release element is moved to release the lancet engages said locking element to move it to its blocking position.

Where the lancing device includes a trigger arrangement operable to latch and release said lancet holder for movement under the influence of a drive
10 spring, said lancet holder restricting element is conveniently part of said trigger arrangement.

A common design of many lancing devices is to provide a housing which has a forward nose portion that is removable to allow loading and unloading of
15 the lancet, with the nose portion providing a skin contact surface with a small aperture through which the tip of the lancet projects when fired. Where such devices also incorporate an active or passive lancet ejection action, it is important that the nose portion is removed before the lancet is ejected otherwise the user may inadvertently eject the lancet leaving it loose in the lancet housing
20 with the risk that it moves again to project its tip through the housing, thereby leading to contamination; alternatively the unconstrained lancet may drop out of the housing the next time it is opened, before the user is ready to dispose of it. We have therefore designed an arrangement which ensures that the effective ejection action of the lancet is at least resisted until the nose portion has been

removed.

Accordingly, in another aspect, this invention provides a lancing device having:

5 a housing comprising a main body portion and a forward nose portion removable and replaceable to allow loading and unloading of a lancet in use;

a lancet holder movably mounted in said housing and having a forward portion for receiving a lancet in use;

10 a lancet release element movable between a rest position and a release position, wherein movement of said lancet release element to its release position is resisted by said forward nose portion when connected to said main body portion.

In one embodiment, the presence of the forward nose portion effectively blocks movement of the lancet release element to its release position as it is not possible to force the nose portion off the device by pressure applied to the lancet release element. In another embodiment the device may be designed so that if
15 an attempt is made to force the lancet release element to its release position with the nose portion still in place, the nose portion is ejected. Ejection of the nose portion may be an intended action prior to lancet ejection, or it may be flagged to the user as a misuse.

20 Conveniently said lancet release element is movable longitudinally and includes an elongate extension adapted to cooperate with said forward nose portion to prevent movement.

In skin penetration devices such as lancets and injection devices, it is often required to adjust the penetration depth of the penetration element in

accordance with the skin thickness and the particular penetration operation. It is common to provide in, for example, lancing devices, a housing with a threaded nose portion that can be screwed in or out to adjust its axial position relative to a datum position such as the lancet holder stop position (or forwardmost position).

5 The components of such devices are commonly injection-moulded and forming the helical thread forms on the cooperating surfaces of the components requires complex moulds. Furthermore, once moulded, assembly of the components requires screwing one on to the other which again requires angular registration and a more complex assembly operation. We have therefore designed an
10 alternative arrangement which obviates the need for continuous thread forms on either component.

Accordingly, in another aspect, this invention provides a skin penetration device including:

a housing;

15 a movable insertion element disposed in said housing and having a sharp tip and adapted to be inserted into the skin of a recipient;

a depth penetration arrangement comprising a relatively fixed portion forming part of or secured to said housing, and

a depth adjusting portion being mounted for angular movement about an
20 axis on said relatively fixed portion;

one of the relatively fixed portion and the depth adjusting portion having a cam track defined by an interrupted cam surface, and the other having a cam follower adapted to cooperate with said cam track whereby relative rotation of said depth adjusting portion and said fixed portion varies the relative axial

position thereof.

Conveniently said relatively fixed portion and said skin contacting portion include respective detent elements to provide a detent action at spaced angular positions. Advantageously, a stop surface is associated with said cam surface to limit relative rotation of said relatively movable member. Said interrupted cam surface may follow a generally helical path with respect to the axis, the cam surface including alternate opposite facing cam face elements together defining said cam track for said cam follower.

Preferably the cam surface elements are of lesser circumferential extent than said cam follower.

Conveniently at least one of the cam surface and said cam follower are resiliently deformable to allow said cam follower to be introduced into said cam track by the application of an axial load in a push fit operation. Although either option is possible the cam follower is conveniently provided on said depth adjusting portion with said cam track being provided on said relatively fixed portion.

It is desirable to ensure that once the lancing device has been locked, a loaded lancet is not removed until the device has been fired. We have therefore designed a device in which when the lancet is in a cocked condition, the lancet release mechanism is inhibited until after the device has been fired.

Accordingly, in another aspect, we provide a lancing device having:

a housing;

a lancet holder removably mounted within said housing, the lancet holder having a forward portion for receiving in use a lancet;

a lancet release element for being removed to allow release of a lancet from said lancet holder;

a trigger arrangement operable to latch and release said lancet holder for movement under the influence of a drive spring, said trigger arrangement including a trigger element which, during or after said lancet holder is latched,
5 moves to an armed position ready to fire, and

wherein when the lancet holder is latched, with the trigger arrangement in its armed position, the trigger arrangement blocks effective movement of said lancet release element.

10 Conveniently said trigger element projects from the surface of said housing when in the armed condition and the lancet release element comprises an externally accessible manually operable control element, and the trigger element in its armed position lies in the projected path of the control element.

In each of the above aspects forward movement of the lancet holder may
15 be limited in various ways. In one preferred arrangement the lancet holder may have an abutment surface at or towards its rear end which moves into abutment with an abutment surface on the housing or a component relatively fixed thereto to define the forwardmost position of the lancet holder.

Whilst the invention has been described above, it extends to any
20 inventive combination of the features set out above, or in the following description or drawings. It will be understood the features of the various aspects of this invention may be adopted in different aspects to provide innovative combinations.

The invention may be performed in various ways and, by way of example

only, various embodiments of a lancing device in accordance with this invention and a modification thereof will now be described, reference being made to the accompanying drawings in which:

Figure 1 is a general perspective view of an embodiment of lancing
5 device in accordance with this invention;

Figure 2 is an exploded view of the device of Figure 1;

Figure 3 is the longitudinal section view through the device of Figure 1;

Figures 4(a) and 4(b) are detailed perspective view on a detail of the
lancet release mechanism, with the blade element of the slider assembly
10 removed for clarity;

Figure 5 is a view of the slider assembly, lancet holder and trigger
assembly for illustrating operating of the lancet holder lock;

Figure 6 is a section view through the arrangement of Figure 5 on an
enlarged scale, prior to lock out of the lancet;

15 Figure 7 is a view similar to Figure 6 but showing the lancet holder in a
lock out condition;

Figure 8 is a detailed section view for the front end of the device, with the
slider in a forward position;

20 Figure 9 is a perspective view of the slider assembly, with the thumb pad
removed,

Figure 10 is a view of the depth adjuster assembly when assembled;

Figure 11 is an exploded view of the depth adjuster assembly;

Figures 12(a), 12(b) and 12(c) are enlarged views for illustrating the cam
track profile on the rear portion on the depth adjuster assembly;

Figure 13 is a cross section view through the front and rear portions of the depth adjuster assembly;

Figure 14 is a perspective, part cutaway view of a second embodiment of this invention in which the slider assembly is biased by integrally formed spring portions, and

Figures 15(a) and (b) are side views through a third embodiment of lancing device in accordance with the invention, in an armed state and a fired state respectively.

Referring initially to Figures 1 and 2, the lancing device of this embodiment comprises a main housing 10 to the forward end of which is releasably attached a depth adjuster assembly 12. Projecting from the upper surface of the main housing 10 is an externally accessible thumb pad 14 of a slider assembly, the main part lying within the housing. The thumb pad 14 is slideable in the reverse direction (away from the depth adjuster assembly) to prime or cock the device prior to use, and further movable forwardly, after use, to release a spent lancet from the front of the housing when the depth adjuster assembly has been removed. The device is fired by pressing a firing button 16 which rises proud of the housing when the device is cocked.

As seen in Figure 2, the main housing 10 is made up of a rear body portion 18 and a front body portion 20 which snap together. Disposed within and acting against a rear inner surface of the rear body portion 18 is a main drive spring 22, the forward end of which is received in a cylindrical recess in the rear part of a lancet holder 24. The lancet holder 24 is provided near its forward end with an integral resilient trigger latch finger 26 (visible on an enlarged scale in

Figures 3 and 8). When the lancet holder 24 is shifted back from the position shown in Figure 3 by pressing rearwardly on the thumb pad 14, the trigger latch finger 26 snaps past an abutment 28 on the inner surface of the housing to latch behind it and, as it does so, pushes out the trigger button 16 so that it stands proud of the housing. At the front end of the lancet holder 24 is an integrally formed generally cylindrical socket 30 for receiving a lancet (not shown). As can be seen more clearly in Figures 4(a) and (b) an L-shaped slot extends down one side of the cylinder and circumferentially so as to provide staggered forward and rearward wall flaps that can be flexed or partially unwrapped to expand the effective internal diameter of the socket 30. Also as seen in Figures 4(a) and (b) two cammed abutments 34, 36 project radially from the external wall of the socket, one, 34, being disposed on the forward wall flap and the other, 36, disposed on the smaller, rearward wall flap. These abutments 34, 36 are offset with respect to each other, both angularly and longitudinally as shown. They cooperate with a guide slot 38 in a longitudinal projection 40 of a slider assembly 42 of which the thumb pad 14 is an integral part. The walls of the projection 40 defining the control slot 38 are also longitudinally staggered, and each include a chamfered gathering surface 44.

The slider assembly 42 is constrained for linear sliding movement forward and rearward from the position shown in Figures 1 and 3 against the influence of forward and a rearward bias spring 46, 48 respectively. Shifting the slider assembly forward engages the abutments 34 and 36 simultaneously to cause them to be urged into alignment to pass into the control slot 38. Doing this 'unwraps' the wall portions of the socket partially to expand it to allow a lancet to

be loaded or unloaded with minimal insertion or withdrawal force respectively.

The socket 30 also has external projecting spring seats 50 which seat one end of a compression rebound spring 52, the other end of which is seated in an internal annular shoulder in the front body portion 20. Surrounding the forward end of the lancet holder 24 and located in the front body portion 20 against longitudinal movement is a trigger moulding 54 which resiliently carries the firing button 16 through two live hinges 17. As seen more clearly in Figures 5 to 7, the trigger moulding has two flexible lock out arms 56 on the outer surfaces of which are two ramp profiles 58. The lock out arms 56 are designed to cooperate with respective diametrically opposed slider arms 60, having chamfered leading edges 62. The slider arms 60 are an integral part of the slider assembly 42. The lancet holder 24 has a reduced width section behind the lancet receiving socket 30, defining two forward facing lock out shoulders 64. Sliding the slider assembly 42 forward from the position shown in Figure 6 causes the slider arms 60 to engage the ramp profiles 58 on the lock out arms 56 to urge them inwardly to the position shown in Figure 7, where they block forward movement of the lancet holder 24.

The slider assembly 42 includes in its base a prong or blade element 65 that projects forwardly one side of the projection 40, and which extends beyond the trigger moulding 54 to terminate just rearwardly of the front face of the front body portion 20, when the slider assembly 42 is in its rest position. The blade 65 is designed so that the slider assembly 42 cannot be moved forward from its rest position to release a lancet unless the depth adjuster assembly 12 has been removed.

Referring more particularly to Figures 10 to 13, the depth adjuster 12 is made up of a relatively fixed rear portion 66 that releasably connects to the front end of the front body portion by a snap fit or the like, in a single angular orientation, and which as noted blocks forward movement of the blade 65 when it is attached. Inside the rear portion 66 are interrupted, forward facing cam surfaces 61, 63 respectively, that define a helical cam track that functions as a thread. An aperture 68 in the rear portion allows indicia 69 on the front depth adjuster portion 70 to be viewed. Internally, the wall section adjacent said aperture is locally thickened to provide clockwise and anti-clockwise stops 71, 72 to restrict rotation of the front portion 70. The cam surfaces 61, 63 alternate and do not overlap in the axial sense and so this means that the rear portion 62 can be moulded which can be opened and closed axially without requiring a threaded mould piece that has to be threaded out of the mould. The rear portion 62 also includes an inner cylindrical sleeve 74 which generally surrounds the socket 30 of the lancet holder. On the outer cylindrical wall of the sleeve is a detent pip 76 with two slots 78 formed to allow resilient flexing of the detent pip.

The depth adjuster portion 70 comprises a frustoconical form element terminating in a transverse wall 80 with a lancet aperture 82 surrounded by equispaced projections 84, designed to provide a nerve distracting or confusion function. The remainder of the front depth adjuster part is internally splined 86 to cooperate with the detent pip 76 on the rear portion to provide a click or detent action as the depth adjuster is rotated. On the rear edge of the front portion 70 is formed a cam follower part 88 which is chamfered as seen in Figures 11 and 13, to allow it to snap past one or more of the cam surfaces 61, 63 on the rear

portion 64. This means that the front and rear portions 66, 70 of the depth adjuster assembly 12 can be assembled simply by pushing one axially into the other, and no rotation is required. The snap action is designed to be sufficiently robust that the two parts cannot readily be separated once assembled. Once assembled, the front depth adjuster part can be rotated through approximately 270° with the rotation progressively adjusting the relative axial position thereby to vary the effective penetration depth of the lancing operation.

In operation of the device, having set the depth adjuster assembly 12 to give the required penetration, the depth adjuster assembly is removed from the front end of the device and the slider assembly 42 moved forward by thumb pressure on the thumb pad 14 to release a spent lancet (if present) by expanding the socket 30 of the lancet holder due to the action of the abutments 34, 36 being gathered into the slot 38 of the projections 40. Whilst held in the expanded position, a fresh lancet may be located in the lancet holder without requiring any significant axial force. Having inserted the lancet, the slider is allowed to return to its rest position and returning the socket to its non-expanded form, thereby gripping the lancet. The depth adjuster assembly 12 is then re-applied to the front of the device and the device cocked by sliding the slider rearwardly. The slider assembly engages the lancet holder and pushes it back against the force of the drive spring 22 until the resilient finger 26 snaps rearwardly past the abutment 28 on the housing to latch and in so doing, pushes the trigger button 16 proud. The user will then offer the device up to the penetration site and fire the lancet by pressing button 16.

In a modification, not shown, the thumb pad 14 may be extended

forwardly so that, in its rest position, its forward edge lies just to the rear of the aperture in which the trigger button 16 sits. By doing this, when the device is cocked and the trigger button 16 pushed proud of the housing by latching of the lancet holder, the lancet button blocks forward movement of the thumb pad 14 and so it is not possible to move the slider forward until after the device has been fired.

In a second embodiment, shown in Figure 14, the forward and rearward bias springs 46 and 48 that bias the slider assembly may be replaced by integrally moulded spring portions 46¹, 48¹, thereby further reducing the component count.

Referring now to the third embodiment, this is similar in construction to the previous embodiments and like components are given the same reference numerals and will not be described in detail again. In the first and second embodiments, when the device is fired, forward travel of the lancet holder 24 is limited by a forward facing abutment surface on the lancet holder moving into abutment with a rearward facing abutment surface on the housing or a component associated therewith. In the third embodiment, forward travel of the lancet holder 24 is limited by a forward facing abutment surface 90 on a formation 92 at the rear end of the lancet holder 24 engaging a rearward facing shoulder 94 protruding inwardly from the housing wall.

CLAIMS

1. A lancing device comprising:

a housing (10, 12);

5 a lancet holder (24) movably mounted for movement in a lancing direction within said housing, the lancet holder having a forward portion defining a socket (30) for partially surrounding and retaining in use a rear portion of a lancet, the socket being expandable to allow insertion and/or removal of said lancet, and

10 a lancet release element (40, 42) movable in a direction generally parallel to a said lancing movement direction between a rest and a release position to cause said socket to move between a lancet retaining condition and an expanded condition.

2. A lancing device according to Claim 1, wherein said socket is defined by a generally cylindrical wall of resilient material having a slot (32) therein to allow resilient expansion and/or contraction.

15 3. A lancing device according to Claim 2, wherein said cylindrical wall is provided with radially outwardly extending abutments (34, 36) spaced one to either side of said slot (32), said release element (40, 42) having respective cam surfaces (44) cooperating with said abutment, whereby movement of the release element (40, 42) causes movement of the socket between its expanded
20 condition and its lancet retaining condition.

4. A lancing device according to any preceding Claim, wherein said lancet release element (40, 42) is movable forwardly from a rest position to expand said socket.

5. A lancing device according to Claim 4, wherein said lancet release

element (40, 42) is additionally movable rearwardly to cock said lancet.

6. A lancing device according to any of the preceding Claims, wherein movement of said lancet release element towards said release position causes holding or limiting forward movement of said lancet holder (24).

5 7. A lancing device having:

a housing (10, 12);

a lancet holder (24) movably mounted within said housing, the lancet holder having a forward portion for receiving in use a lancet, and

10 a lancet release element (40, 42) for being moved to allow release of a lancet from said lancet holder,

wherein, movement of said lancet release element (40, 42) to release the lancet causes blocking or limiting of forward movement of said lancet holder.

15 8. A lancing device according to Claim 7, wherein said housing (10, 12), or a component associated therewith, includes a lancet holder restraining element (56) movable between a position in which it blocks forward movement of said lancet holder (24), and a free position in which forward movement of the lancet holder (24) is not blocked thereby.

20 9. A lancing device according to Claim 8, wherein said lancet release element (40, 42) has a control surface (62) which, as said lancet release element is moved to release the lancet engages said locking element (56) to move to its blocking position.

10. A lancing device according to any of the Claims 7 to 9, including a trigger arrangement (54) operable to latch and release said lancet holder (24) for movement under the influence of a drive spring, wherein said lancet holder

restricting element (56) is part of said trigger arrangement (54).

11. A lancing device having:

a housing comprising a main body portion (10) and a forward nose portion (12) removable and replaceable to allow loading and unloading of a
5 lancet in use;

a lancet holder (24) movably mounted in said housing and having a forward portion for receiving a lancet in use;

a lancet release element (40, 42) movable between a rest position and a release position, wherein movement of said lancet release element (40, 42) to its
10 release position is prevented or resisted by said forward nose portion (12) when connected to said main body portion.

12. A lancing device according to Claim 11, wherein said lancet release element (40, 42) is movable longitudinally and includes an elongate extension (60) adapted to cooperate with said forward nose portion (12) to
15 prevent movement.

13. A skin penetration device including:

a housing (10, 12);

a movable insertion element disposed in said housing and having a sharp tip and adapted to be inserted into the skin of a recipient;

20 a depth penetration arrangement comprising a first, relatively fixed portion (66) forming part of or secured to said housing, and

a skin contacting portion (20) being mounted for angular movement about an axis on said relatively fixed portion;

one of the relatively fixed portion (66, 70) and the skin contacting portions

having an interrupted cam surface (61, 63), and the other having a cam follower (88) adapted to cooperate with said cam surface whereby relative rotation of said skin contacting portion and said fixed portion varies the relative axial position thereof.

5 14. A skin penetration device according to Claim 13, wherein said relatively fixed portion and said skin contacting portion include respective detent elements (86) to prevent a detent action at spaced angular positions.

10 15. A skin penetration device according to Claim 13 or Claim 14, wherein a stop surface (71, 72) is associated with said cam surface to limit relative rotation of said relatively movable member.

16. A skin penetration device according to any of Claims 13 to 15, wherein said interrupted cam surface (61, 63) follows a generally helical path with respect to the axis, the cam surface including alternate opposite facing cam face elements (61, 63) together defining a cam track for said cam follower.

15 17. A skin penetration device according to Claim 16, wherein the cam surface elements are of lesser circumferential extent than said cam follower (88).

20 18. A skin penetration device according to any of Claims 13 to 17, wherein at least one of the cam surface (61, 63) and said cam follower (88) are resiliently deformable to allow said cam follower (88) to be introduced into said cam track by the application of an axial load.

19. A skin penetration device according to any of Claims 13 to 18, wherein said cam follower (88) is provided on said skin contacting portion (70) and said cam track (61, 63) is provided on said relatively fixed portion (66).

20. A lancing device having:

a housing (10, 12);

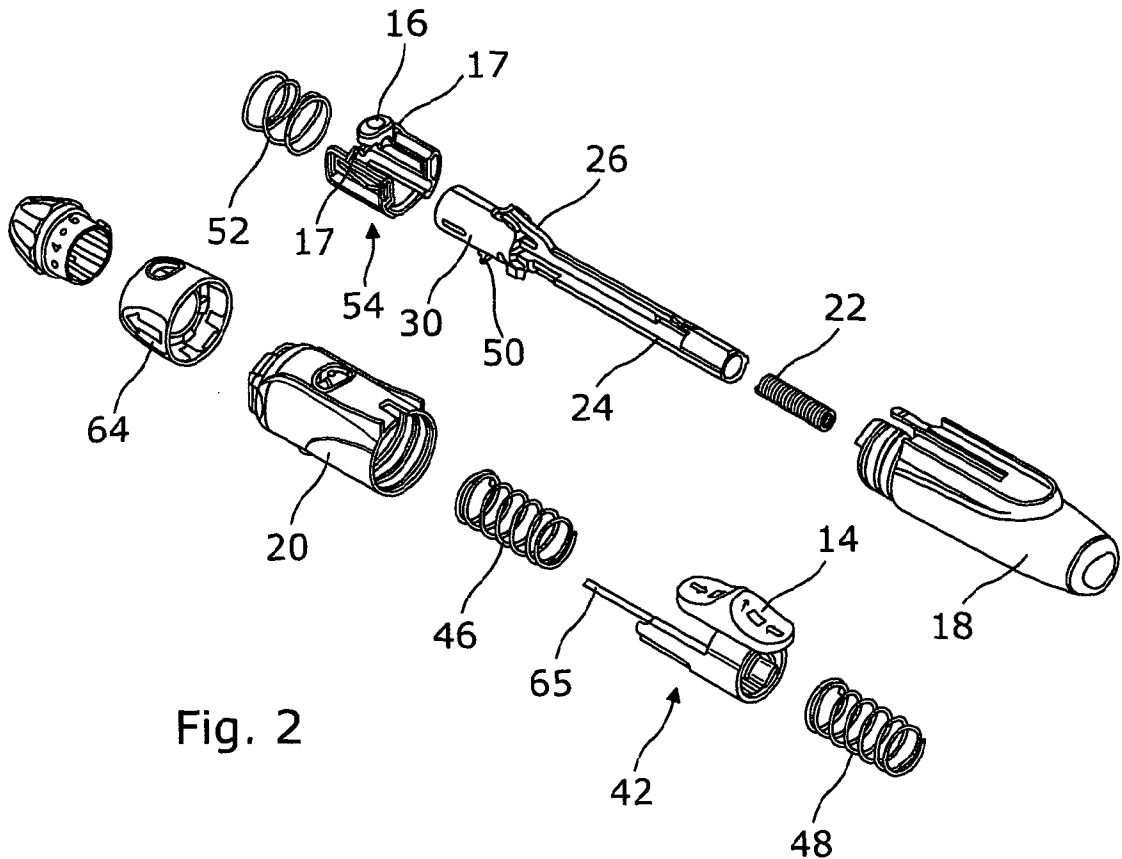
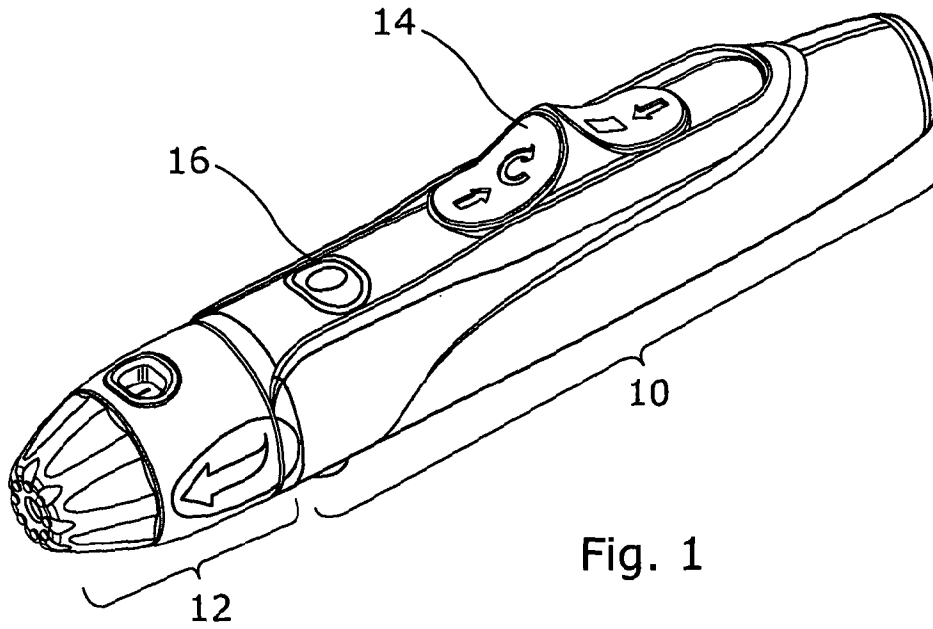
a lancet holder (24) removably mounted within said housing, the lancet holder having a forward portion for receiving in use a lancet;

5 a lancet release element (40, 42) for being removed to allow release of a lancet from said lancet holder;

a trigger arrangement operable to latch and release said lancet holder (24) for movement under the influence of a drive spring (22), said trigger arrangement including a trigger element (16) which, when said lancet holder (24) is latched, is in an armed position ready to fire, and

wherein when the lancet holder (24) is latched, with the trigger arrangement in its armed position, the trigger arrangement blocks effective movement of said lancet release element (24) to release a lancet.

21. A lancing device according to Claim 20, wherein said trigger element (16) projects from the surface of said housing when in the armed condition and the lancet release element (40, 42) comprises an externally accessible manually operable control element (14), and the trigger element in its armed position lies in the projected path of the control element.



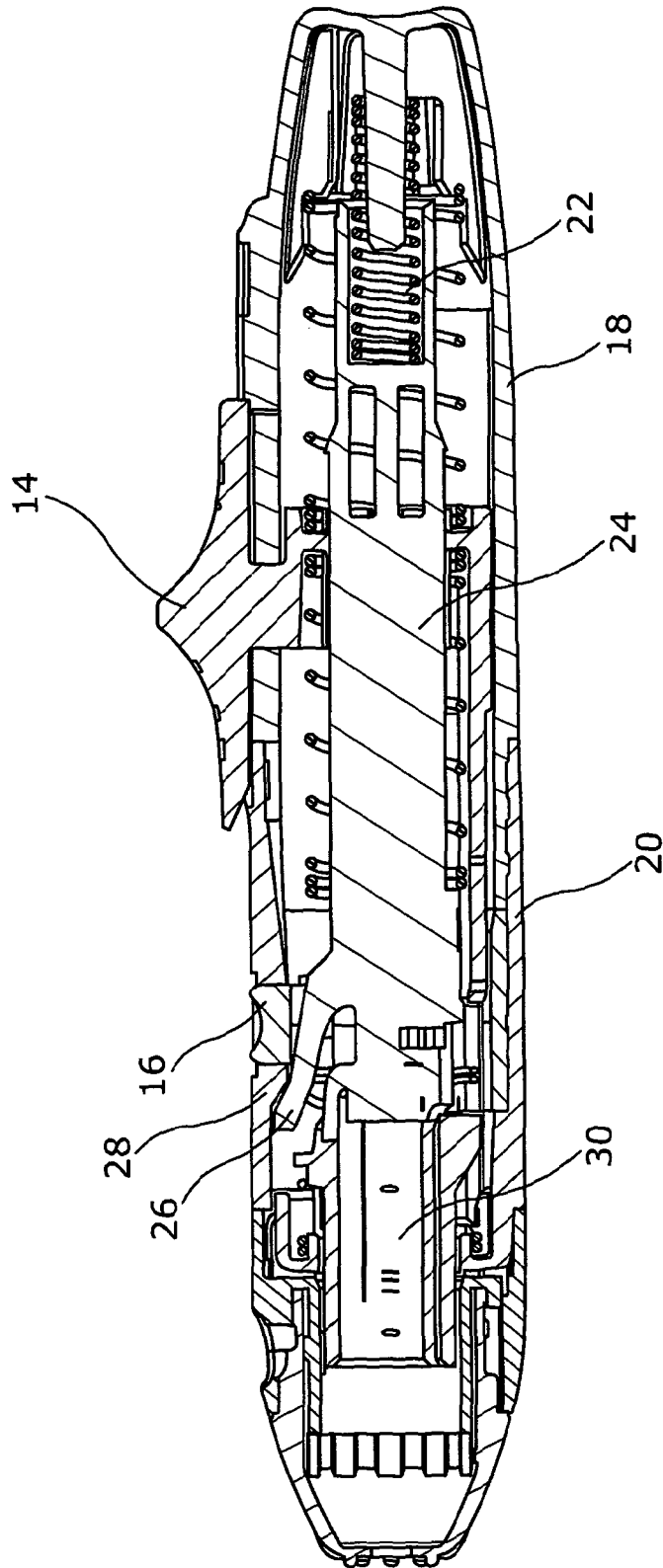


Fig. 3

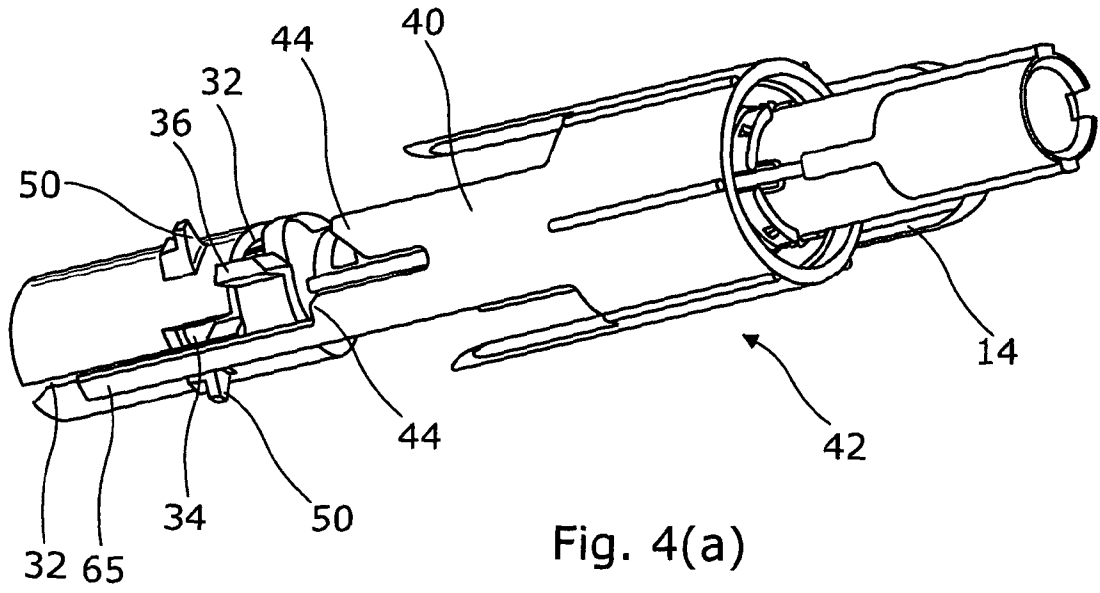


Fig. 4(a)

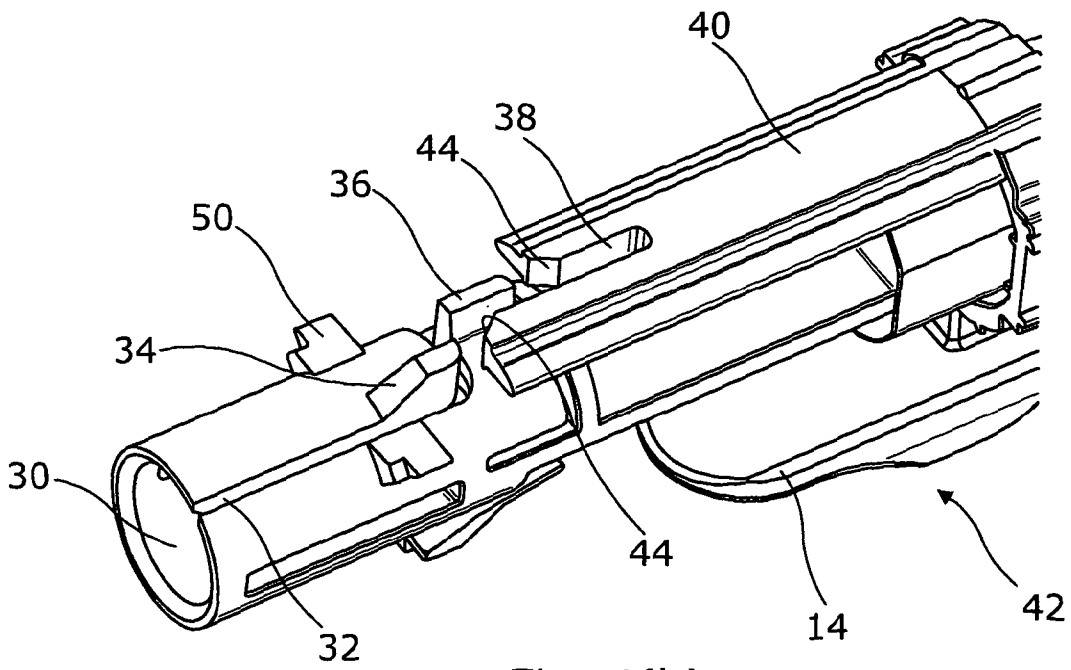


Fig. 4(b)

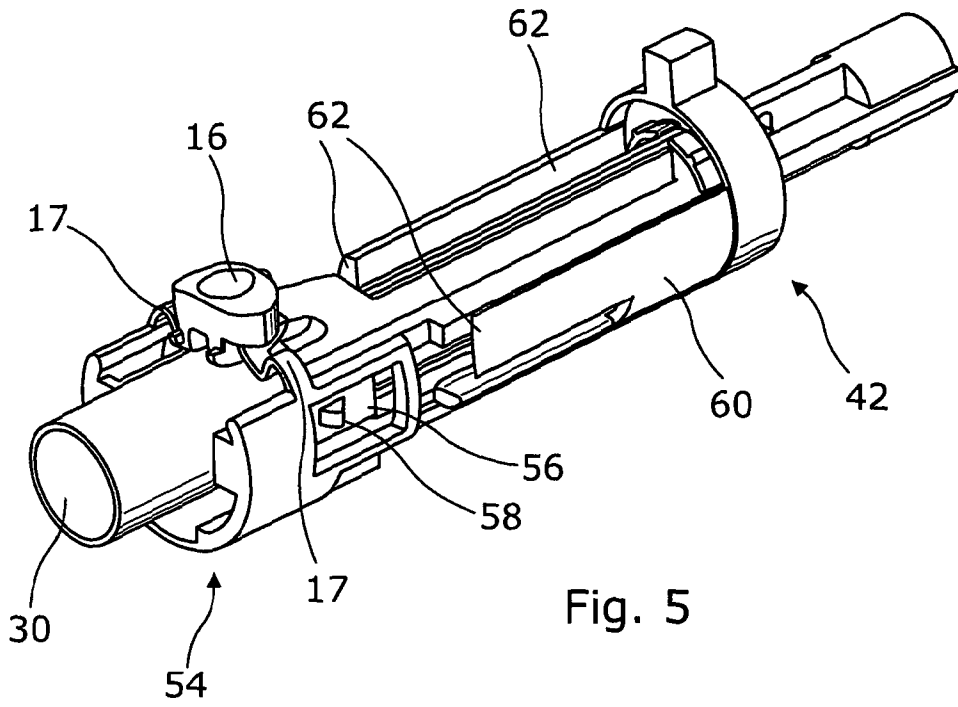


Fig. 5

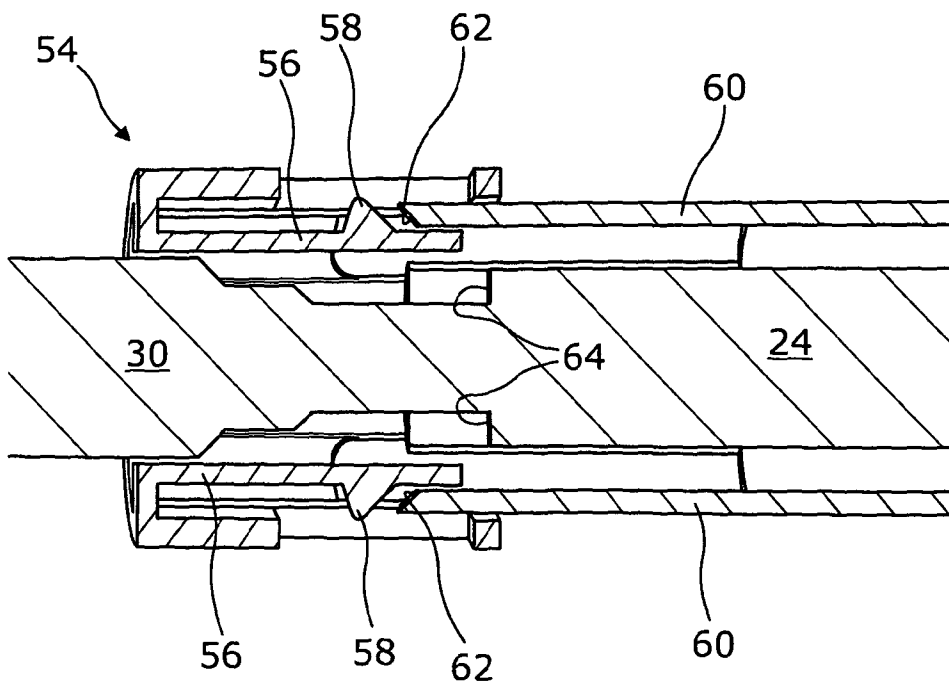


Fig. 6

5/9

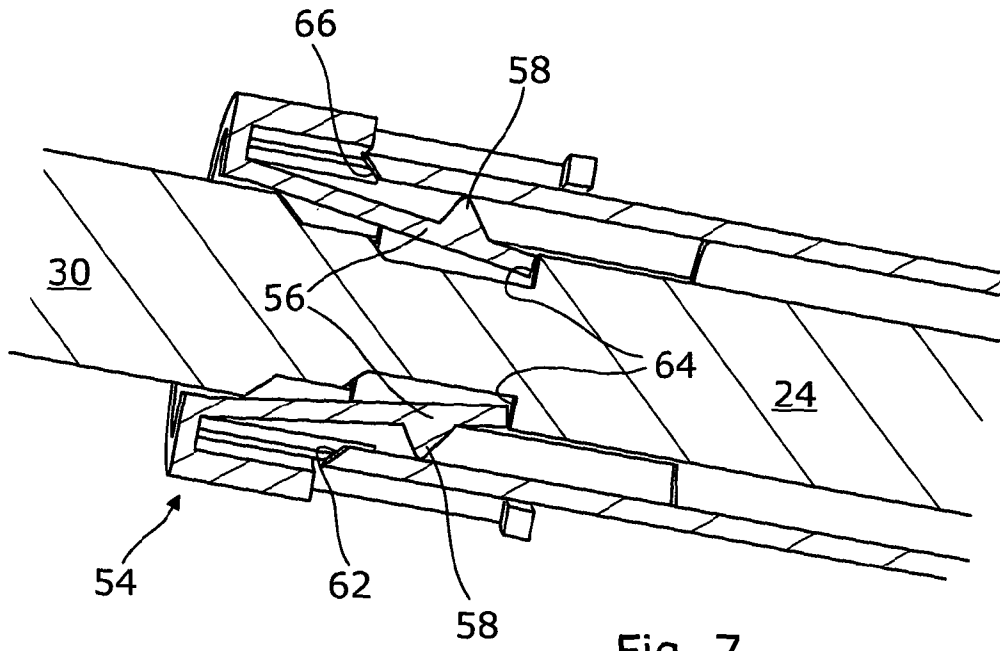


Fig. 7

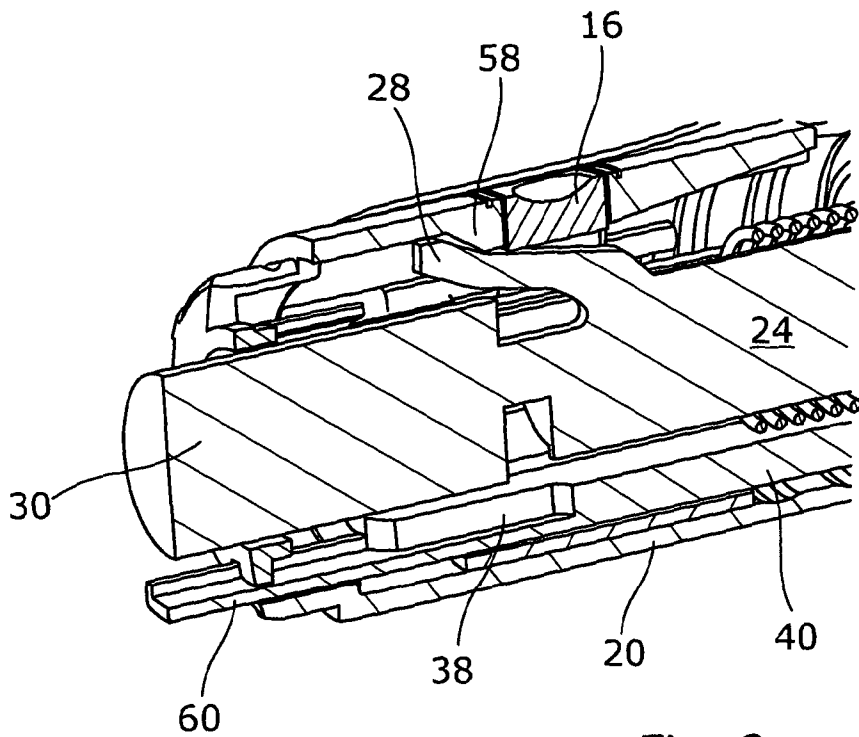
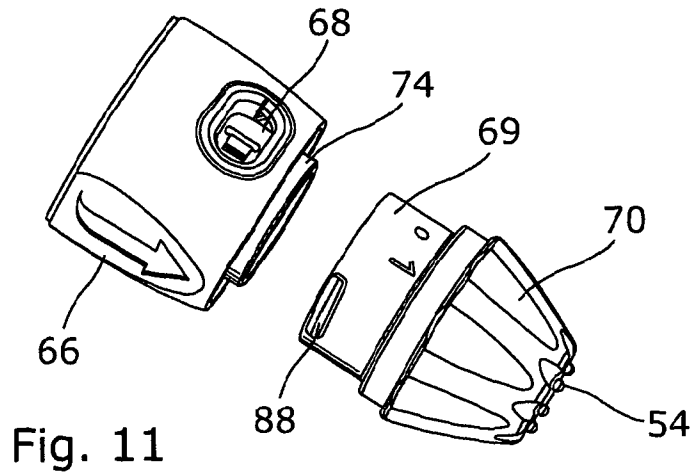
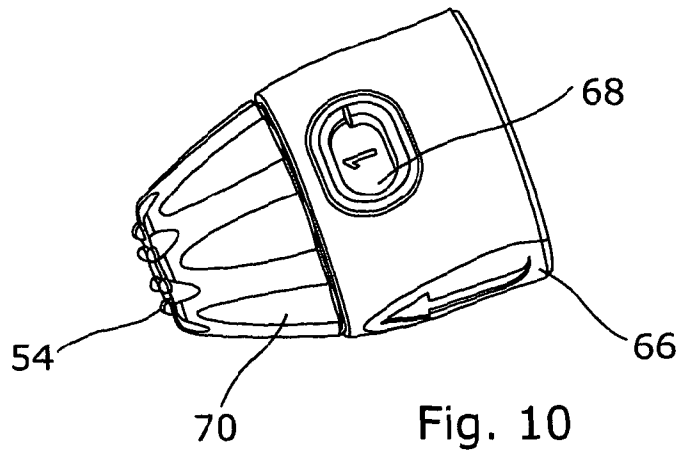
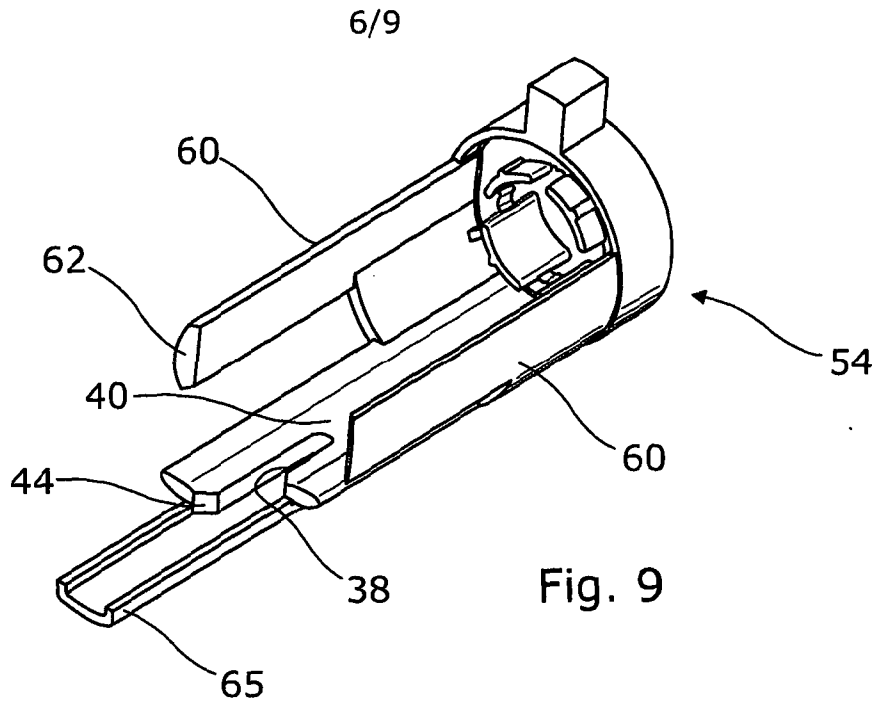
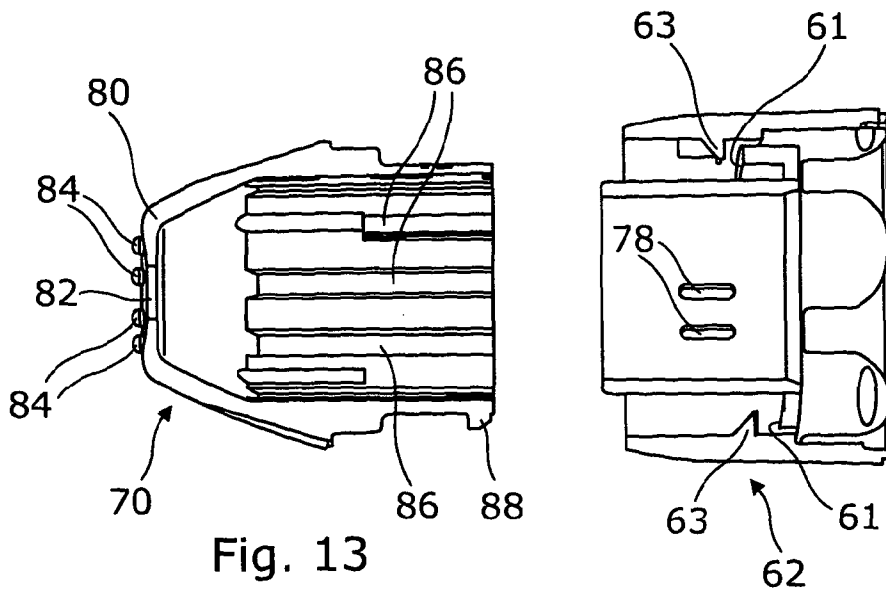
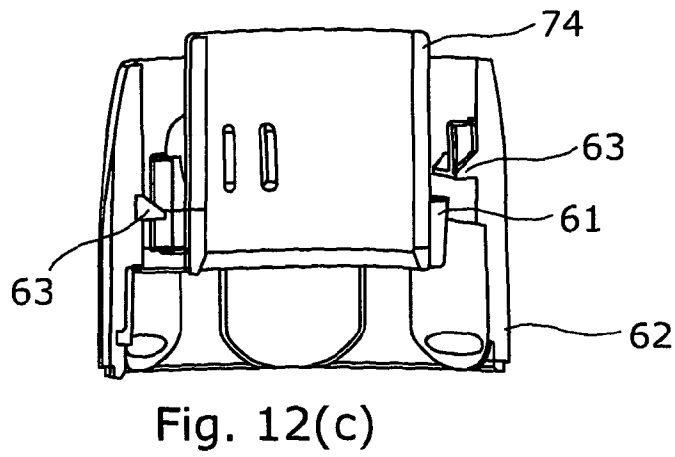
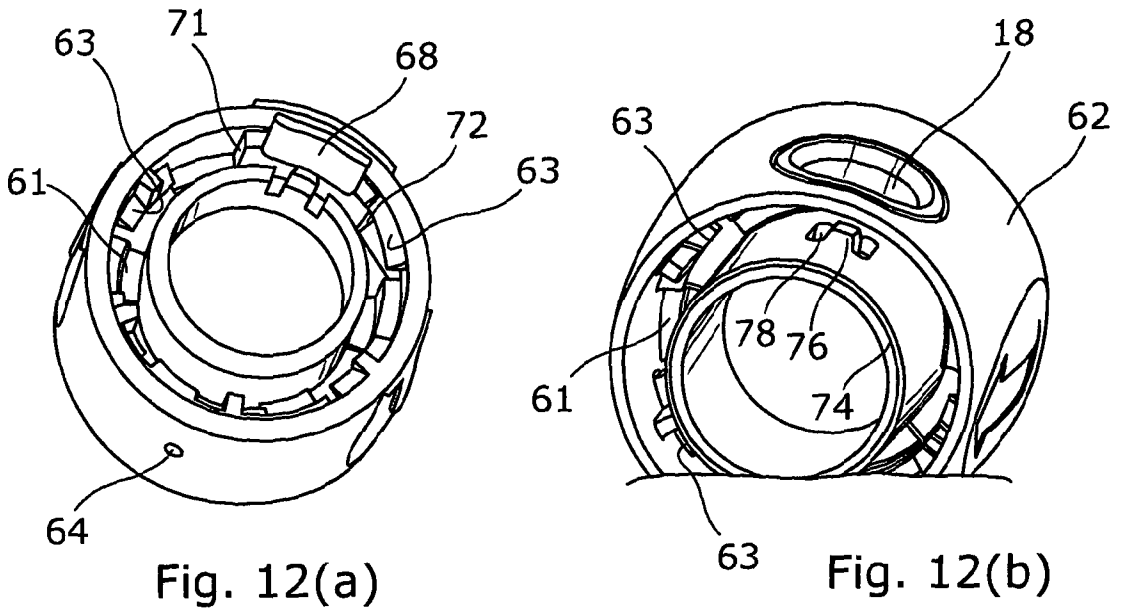


Fig. 8





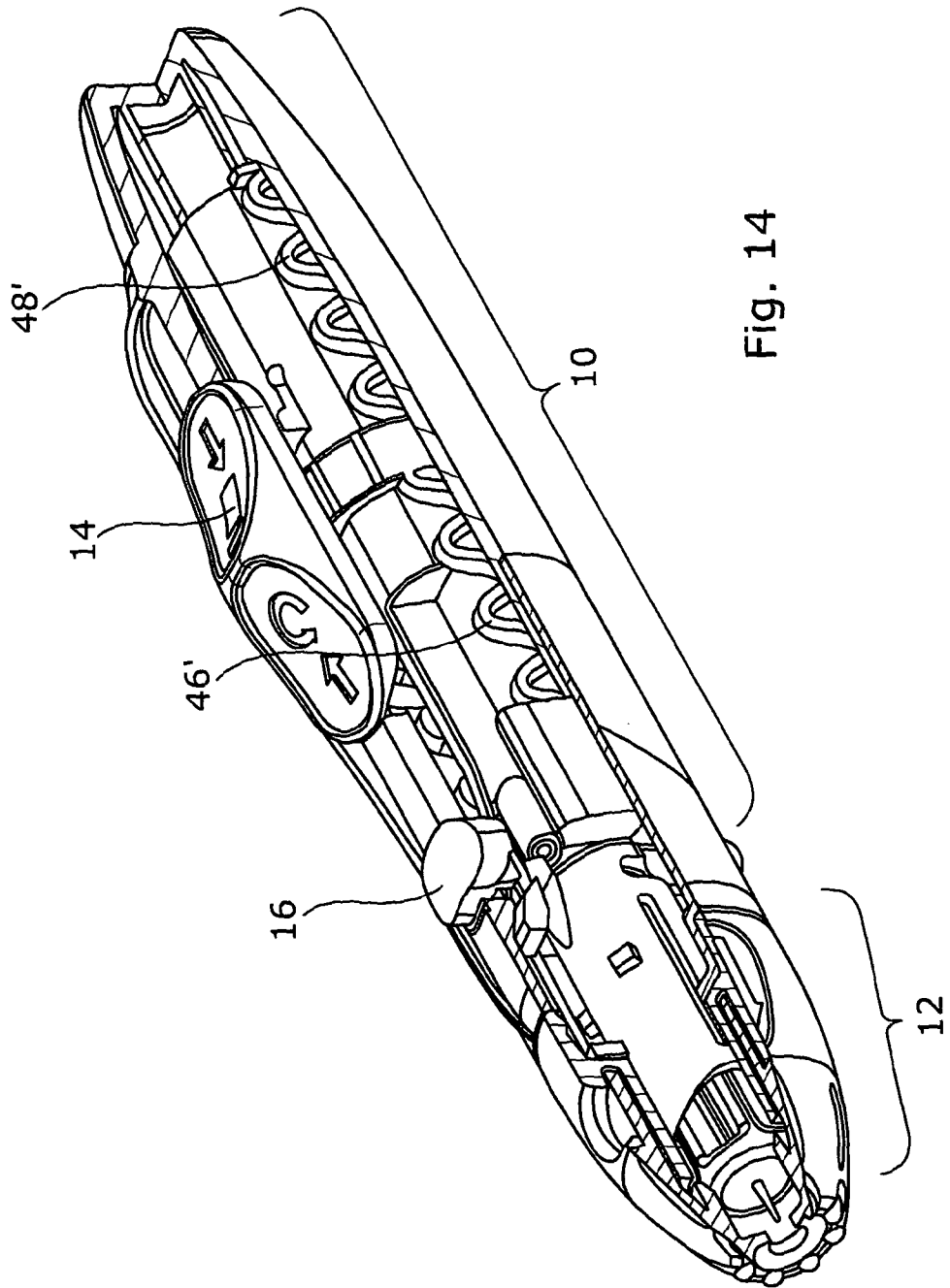
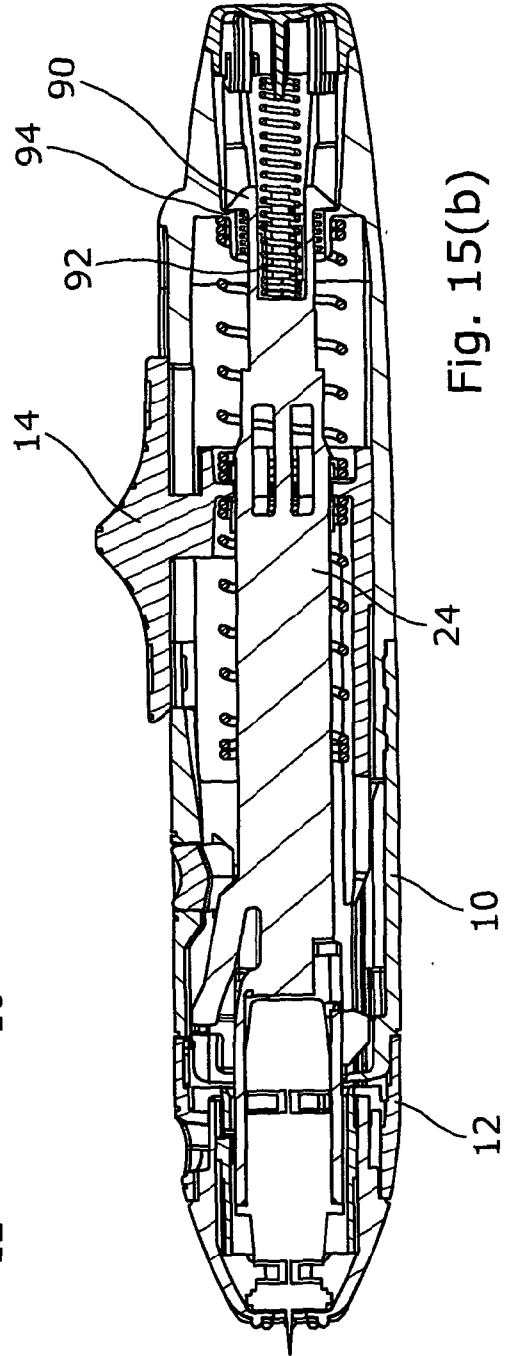
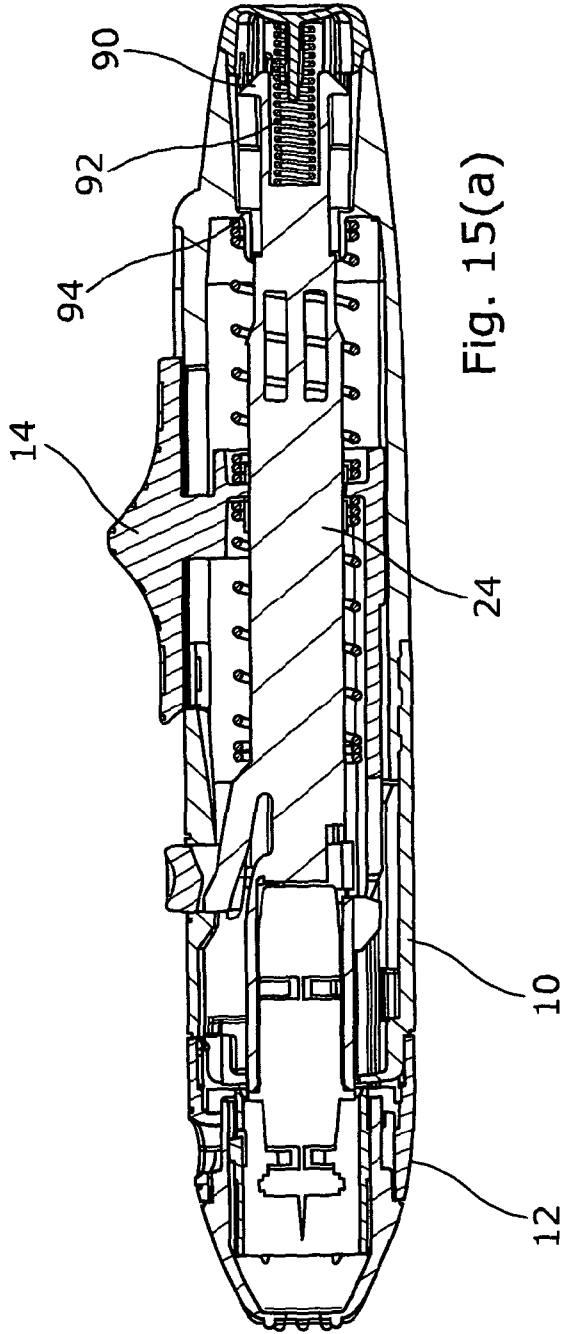


Fig. 14



INTERNATIONAL SEARCH REPORT

International application No
PCT/GB2012/050761

A. CLASSIFICATION OF SUBJECT MATTER
INV. A61B5/15 A61B5/151
ADD.
According to International Patent Classification (IPC) or to both national classification and IPC

B. FIELDS SEARCHED
Minimum documentation searched (classification system followed by classification symbols)
A61B
Documentation searched other than minimum documentation to the extent that such documents are included in the fields searched

Electronic data base consulted during the international search (name of data base and, where practicable, search terms used)
EPO-Internal, WPI Data

C. DOCUMENTS CONSIDERED TO BE RELEVANT		
Category*	Citation of document, with indication, where appropriate, of the relevant passages	Relevant to claim No.
X A	WO 2009/022144 A1 (OWEN MUMFORD LTD [GB]; NICHOLLS CLIVE [GB]; WOZENCROFT ROBERT MICHAEL) 19 February 2009 (2009-02-19) the whole document	13-19 1,7,11,20
X A	WO 2009/022131 A2 (OWEN MUMFORD LTD [GB]; NICHOLLS CLIVE [GB]; WOZENCROFT ROBERT MICHAEL) 19 February 2009 (2009-02-19) the whole document	13-19 1,7,11,20
	----- -/--	

Further documents are listed in the continuation of Box C.

See patent family annex.

* Special categories of cited documents :

<p>"A" document defining the general state of the art which is not considered to be of particular relevance</p> <p>"E" earlier application or patent but published on or after the international filing date</p> <p>"L" document which may throw doubts on priority claim(s) or which is cited to establish the publication date of another citation or other special reason (as specified)</p> <p>"O" document referring to an oral disclosure, use, exhibition or other means</p> <p>"P" document published prior to the international filing date but later than the priority date claimed</p>	<p>"T" later document published after the international filing date or priority date and not in conflict with the application but cited to understand the principle or theory underlying the invention</p> <p>"X" document of particular relevance; the claimed invention cannot be considered novel or cannot be considered to involve an inventive step when the document is taken alone</p> <p>"Y" document of particular relevance; the claimed invention cannot be considered to involve an inventive step when the document is combined with one or more other such documents, such combination being obvious to a person skilled in the art</p> <p>"&" document member of the same patent family</p>
---	---

Date of the actual completion of the international search 10 September 2012	Date of mailing of the international search report 19/09/2012
Name and mailing address of the ISA/ European Patent Office, P.B. 5818 Patentlaan 2 NL - 2280 HV Rijswijk Tel. (+31-70) 340-2040, Fax: (+31-70) 340-3016	Authorized officer Nielsen, Michael

INTERNATIONAL SEARCH REPORT

International application No
PCT/GB2012/050761

C(Continuation). DOCUMENTS CONSIDERED TO BE RELEVANT		
Category*	Citation of document, with indication, where appropriate, of the relevant passages	Relevant to claim No.
X	EP 1 074 219 A2 (BECTON DICKINSON CO [US]) 7 February 2001 (2001-02-07)	11-21
A	abstract paragraph [0037] - paragraph [0040]; figures 2,3A paragraph [0120] - paragraph [0140]; figures 22-25 paragraph [0126] - paragraph [0128]; figure 2	1,7
X	WO 01/28423 A2 (GAINOR MEDICAL NORTH AMERICA L [US]; LEVAUGHN RICHARD W [US]; FLYNN ST) 26 April 2001 (2001-04-26)	11,12, 20,21
A	abstract page 9, line 5 - page 10, line 12; figures 4,5,9 page 15, line 14 - page 18, line 14; figures 1,9 page 13, line 18 - page 15, line 13	1,7,13
A	US 2006/247670 A1 (LEVAUGHN RICHARD W [US] ET AL) 2 November 2006 (2006-11-02)	1,7,11, 13,20
A	abstract paragraph [0026]; figures 2a,2c,3 paragraph [0025]; figures 1,3	
A	WO 98/06331 A2 (OWEN MUMFORD LTD [GB]; WEEKES STUART [GB]) 19 February 1998 (1998-02-19)	1,7
X	WO 2009/022136 A1 (OWEN MUMFORD LTD [GB]; NICHOLLS CLIVE [GB]; WOZENCROFT ROBERT MICHAEL) 19 February 2009 (2009-02-19)	13-21
A	abstract page 10, lines 5-18; figure 11 page 10, line 19 - page 11, line 2; figure 4 page 11, lines 3-23; figures 11-13	7,11
X	WO 2009/136171 A2 (LIFESCAN SCOTLAND LTD [GB]; FAULKNER ALLAN JAMES [GB]; FOLEY NICHOLAS) 12 November 2009 (2009-11-12)	13-21
A	abstract paragraph [0067] - paragraph [0074]; figures 14A-15C figure 3 paragraph [0077] - paragraph [0079]; figures 17A-17D	7,11

INTERNATIONAL SEARCH REPORT

International application No.
PCT/GB2012/050761

Box No. II Observations where certain claims were found unsearchable (Continuation of item 2 of first sheet)

This international search report has not been established in respect of certain claims under Article 17(2)(a) for the following reasons:

1. Claims Nos.:
because they relate to subject matter not required to be searched by this Authority, namely:

2. Claims Nos.:
because they relate to parts of the international application that do not comply with the prescribed requirements to such an extent that no meaningful international search can be carried out, specifically:

3. Claims Nos.:
because they are dependent claims and are not drafted in accordance with the second and third sentences of Rule 6.4(a).

Box No. III Observations where unity of invention is lacking (Continuation of item 3 of first sheet)

This International Searching Authority found multiple inventions in this international application, as follows:

see additional sheet

1. As all required additional search fees were timely paid by the applicant, this international search report covers all searchable claims.

2. As all searchable claims could be searched without effort justifying an additional fees, this Authority did not invite payment of additional fees.

3. As only some of the required additional search fees were timely paid by the applicant, this international search report covers only those claims for which fees were paid, specifically claims Nos.:

4. No required additional search fees were timely paid by the applicant. Consequently, this international search report is restricted to the invention first mentioned in the claims; it is covered by claims Nos.:

Remark on Protest

- The additional search fees were accompanied by the applicant's protest and, where applicable, the payment of a protest fee.
- The additional search fees were accompanied by the applicant's protest but the applicable protest fee was not paid within the time limit specified in the invitation.
- No protest accompanied the payment of additional search fees.

FURTHER INFORMATION CONTINUED FROM PCT/ISA/ 210

This International Searching Authority found multiple (groups of) inventions in this international application, as follows:

1. claims: 1-6

Lancing device having an expandable socket for insertion and/or removal of a lancet.

2. claims: 7-10

Lancing device wherein movement of a lancet release element to release the lancet causes blocking or limiting of forward movement of a lancet holder.

3. claims: 11, 12

Lancing device wherein movement of a lancet release element to its release position is prevented or resisted by a forward nose portion when connected to a main body portion.

4. claims: 13-19

A skin penetrating device having a depth penetration arrangement in the form of an interrupted cam surface and a cam follower.

5. claims: 20, 21

A lancing device wherein in an armed position, a trigger arrangement blocks effective movement of a lancet release element to release a lancet.

INTERNATIONAL SEARCH REPORT

Information on patent family members

International application No

PCT/GB2012/050761

Patent document cited in search report	Publication date	Patent family member(s)	Publication date	
WO 2009022144	A1	19-02-2009	EP 2187811 A1	26-05-2010
			JP 2010536405 A	02-12-2010
			US 2010324582 A1	23-12-2010
			WO 2009022144 A1	19-02-2009
WO 2009022131	A2	19-02-2009	EP 2185073 A2	19-05-2010
			GB 2451840 A	18-02-2009
			JP 2010535604 A	25-11-2010
			US 2011202080 A1	18-08-2011
			WO 2009022131 A2	19-02-2009
EP 1074219	A2	07-02-2001	CA 2314859 A1	03-02-2001
			CA 2715443 A1	03-02-2001
			DE 60024000 D1	22-12-2005
			DE 60024000 T2	10-08-2006
			EP 1074219 A2	07-02-2001
			EP 1535573 A2	01-06-2005
			ES 2247989 T3	16-03-2006
			ES 2322065 T3	16-06-2009
			JP 4689799 B2	25-05-2011
			JP 4762360 B2	31-08-2011
			JP 2001087251 A	03-04-2001
			JP 2011025067 A	10-02-2011
			US 6558402 B1	06-05-2003
			US 2003187470 A1	02-10-2003
			US 2010082055 A1	01-04-2010
WO 0128423	A2	26-04-2001	AT 487420 T	15-11-2010
			AU 1335501 A	30-04-2001
			CA 2386196 A1	26-04-2001
			EP 1221893 A2	17-07-2002
			EP 2263536 A1	22-12-2010
			JP 4732652 B2	27-07-2011
			JP 2003511184 A	25-03-2003
			JP 2011101826 A	26-05-2011
			US 6283982 B1	04-09-2001
			US 2002029058 A1	07-03-2002
			US 2004225311 A1	11-11-2004
			US 2008021493 A1	24-01-2008
			US 2008146966 A1	19-06-2008
			WO 0128423 A2	26-04-2001
US 2006247670	A1	02-11-2006	NONE	
WO 9806331	A2	19-02-1998	DE 69726290 D1	24-12-2003
			DE 69726290 T2	09-09-2004
			EP 0925021 A2	30-06-1999
			JP 3821490 B2	13-09-2006
			JP 2000516496 A	12-12-2000
			US 6090124 A	18-07-2000
			WO 9806331 A2	19-02-1998
WO 2009022136	A1	19-02-2009	EP 2187809 A1	26-05-2010
			JP 2010536403 A	02-12-2010
			US 2011022070 A1	27-01-2011
			WO 2009022136 A1	19-02-2009
WO 2009136171	A2	12-11-2009	CA 2723365 A1	12-11-2009

INTERNATIONAL SEARCH REPORT

Information on patent family members

International application No

PCT/GB2012/050761

Patent document cited in search report	Publication date	Patent family member(s)	Publication date
		CN 102026580 A	20-04-2011
		EP 2320798 A2	18-05-2011
		JP 2011519648 A	14-07-2011
		TW 201008550 A	01-03-2010
		US 2009281457 A1	12-11-2009
		WO 2009136171 A2	12-11-2009